



US00D865646S

(12) **United States Design Patent** (10) **Patent No.:** **US D865,646 S**  
**Patten** (45) **Date of Patent:** **\*\* Nov. 5, 2019**

(54) **CUP HOLDER ADAPTOR FOR HOLDING ITEMS**

(71) Applicant: **Scott Patten**, New Hill, NC (US)

(72) Inventor: **Scott Patten**, New Hill, NC (US)

(73) Assignee: **Range Gripper Inc.**, New Hill, NC (US)

(\*\*) Term: **15 Years**

(21) Appl. No.: **29/623,262**

(22) Filed: **Oct. 24, 2017**

(51) **LOC (12) Cl.** ..... **12-16**

(52) **U.S. Cl.**  
USPC ..... **D12/419**

(58) **Field of Classification Search**  
CPC .. B60Q 3/225; B60Q 3/64; B60N 3/10; B60R 7/08  
See application file for complete search history.

D776,986 S 1/2017 Landphere  
D804,394 S 12/2017 Bergin  
2018/0001835 A1\* 1/2018 Corso ..... H04M 1/04  
2018/0251059 A1\* 9/2018 Cociuba ..... B60N 3/108  
2018/0339633 A1\* 11/2018 Corse ..... B60N 3/103  
2019/0193618 A1\* 6/2019 Medoro ..... B60N 2/79  
2019/0225132 A1\* 7/2019 Ortega Rojo ..... A47G 23/0208  
2019/0263310 A1\* 8/2019 Yumura ..... B60N 3/105

**OTHER PUBLICATIONS**

Notice of Allowance issued in counterpart Design U.S. Appl. No. 29/612,291 dated Aug. 15, 2018 (Five (5) pages).

\* cited by examiner

*Primary Examiner* — Katrina A Betton

(74) *Attorney, Agent, or Firm* — Olive Law Group, PLLC

(57) **CLAIM**

I claim the ornamental design for the cup holder adaptor for holding items, as shown and described.

**DESCRIPTION**

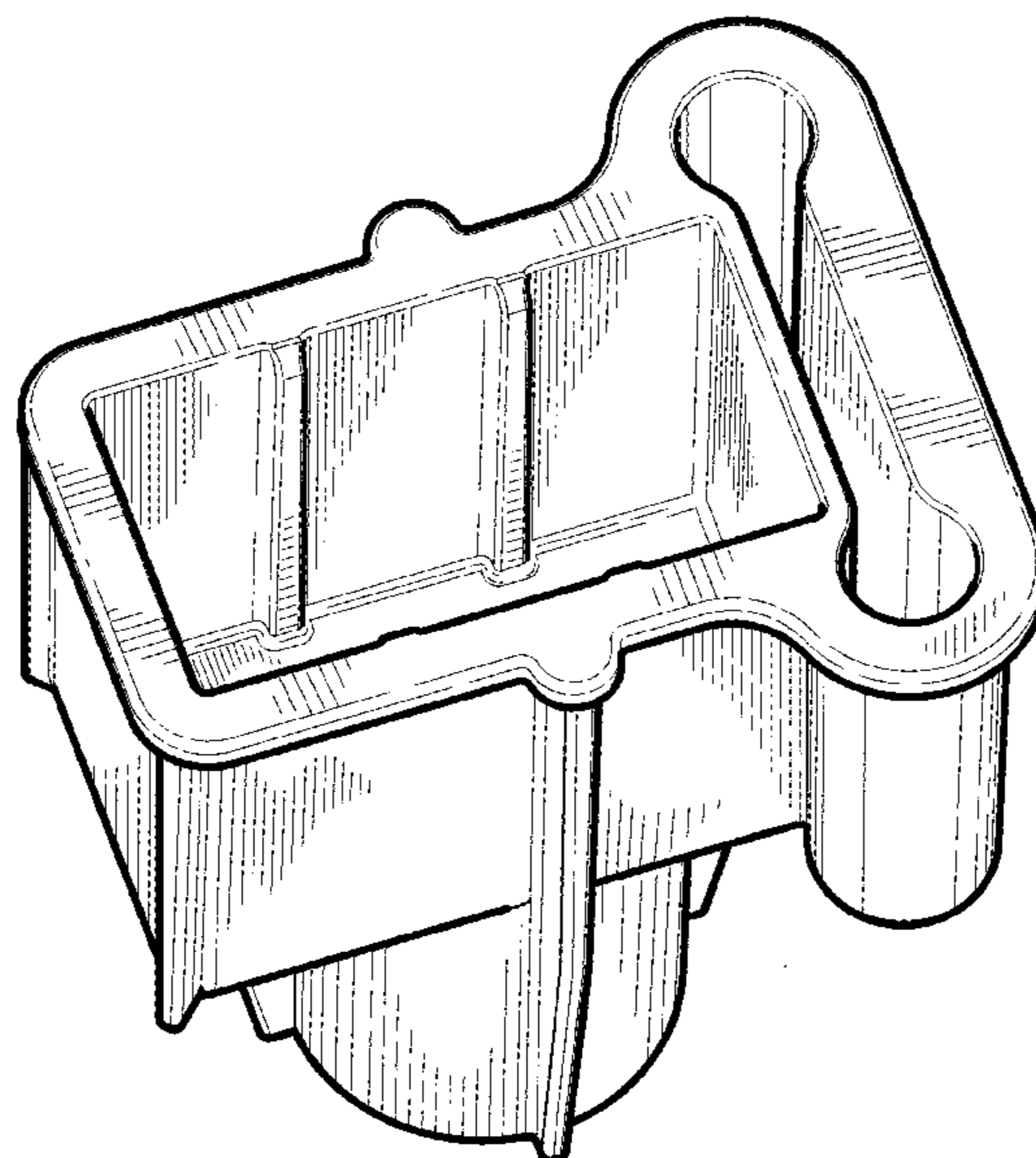
FIG. 1 is a top perspective view showing our new design of a cup holder adaptor for holding items; FIG. 2 is a bottom perspective view thereof; FIG. 3 is a top view of FIG. 1 thereof; FIG. 4 is a bottom view of FIG. 1 thereof; FIG. 5 is a side view of FIG. 1 thereof; FIG. 6 is a side view that opposes the side view of FIG. 5 thereof; FIG. 7 is a back view thereof; and, FIG. 8 is cross-sectional perspective view thereof.

**1 Claim, 6 Drawing Sheets**

(56) **References Cited**

**U.S. PATENT DOCUMENTS**

5,915,561 A \* 6/1999 Lorenzana ..... A47G 23/0608  
206/562  
D428,383 S 7/2000 Ozark et al.  
6,099,062 A \* 8/2000 Siegel ..... B60N 3/103  
224/926  
D447,024 S \* 8/2001 Thomas ..... D12/419  
D458,084 S \* 6/2002 Hudson ..... D7/553.4  
D459,956 S \* 7/2002 Thomas ..... D7/701  
D548,015 S 8/2007 Bergin  
D562,164 S \* 2/2008 Sanders ..... D10/74  
D574,669 S 8/2008 Bergin  
D724,004 S 3/2015 McFarlin et al.



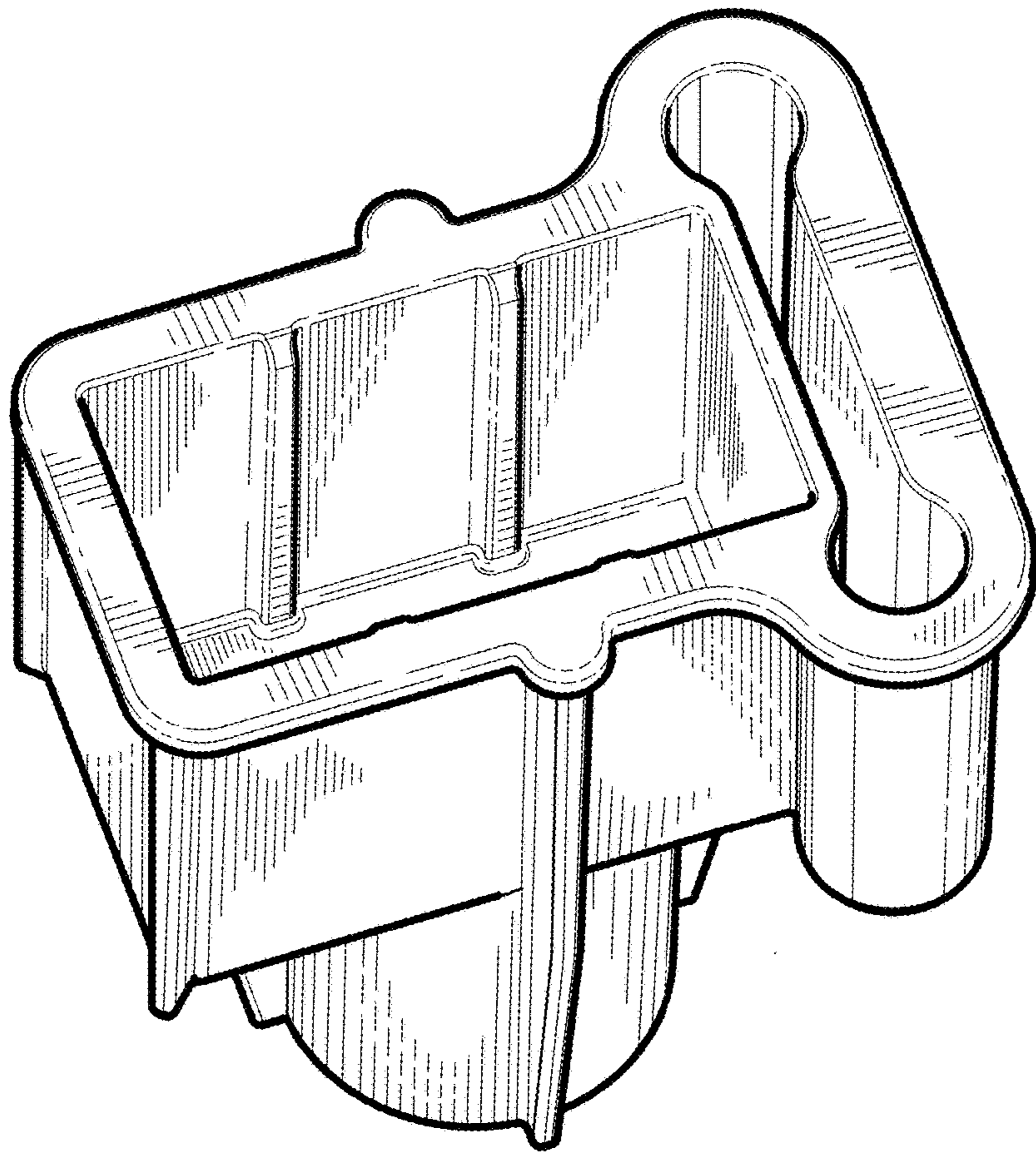


FIG. 1

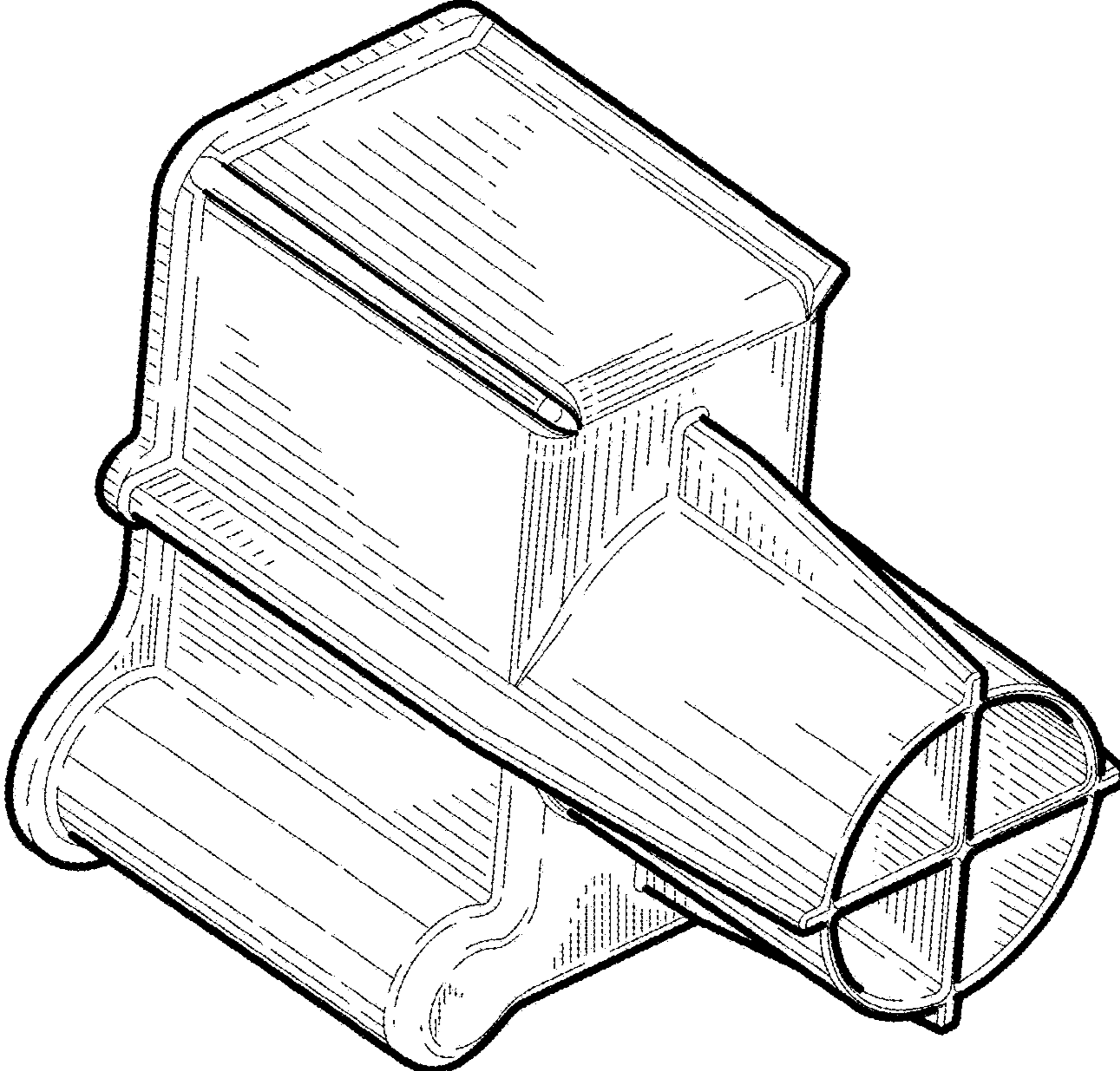


FIG. 2



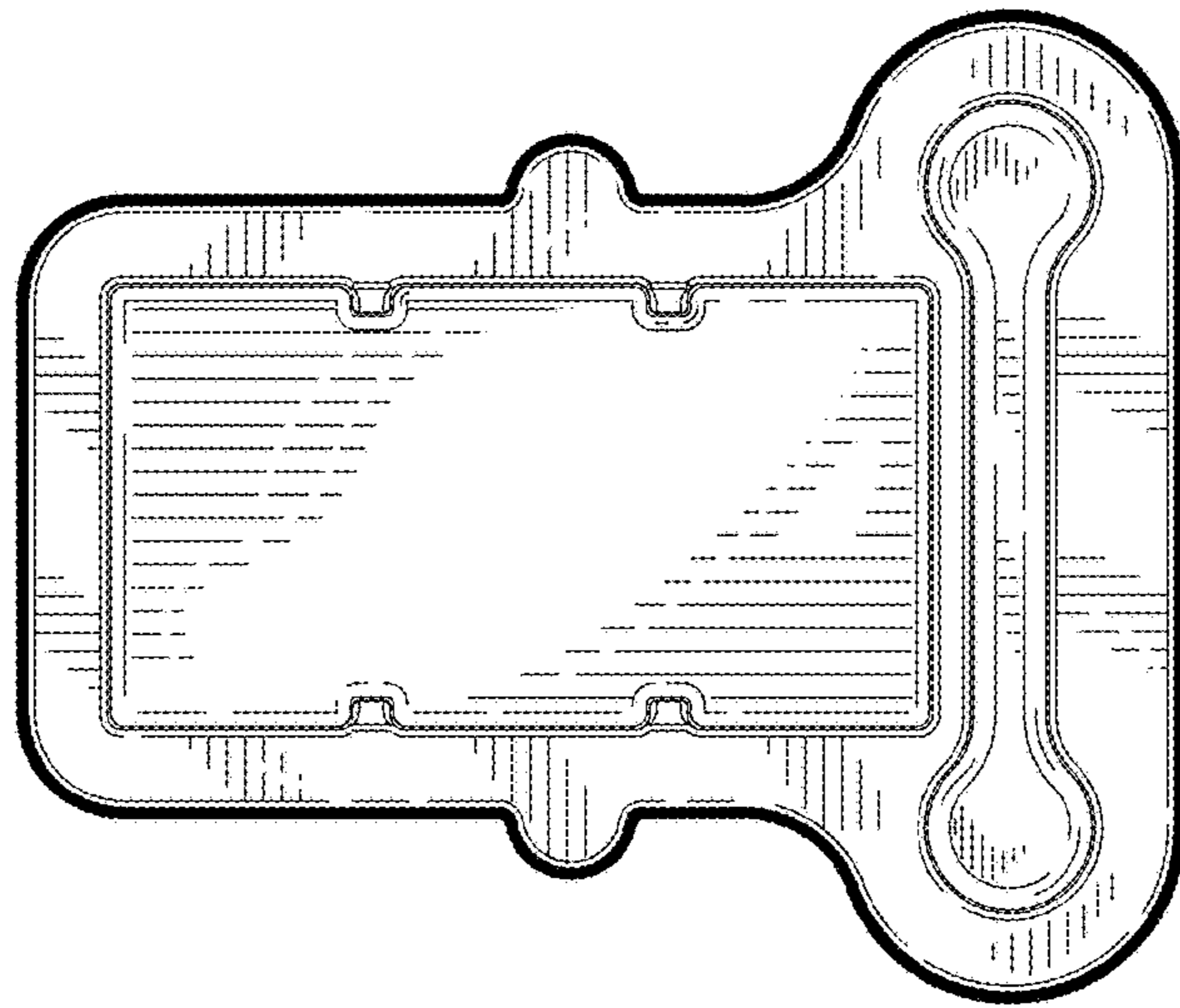


FIG. 3

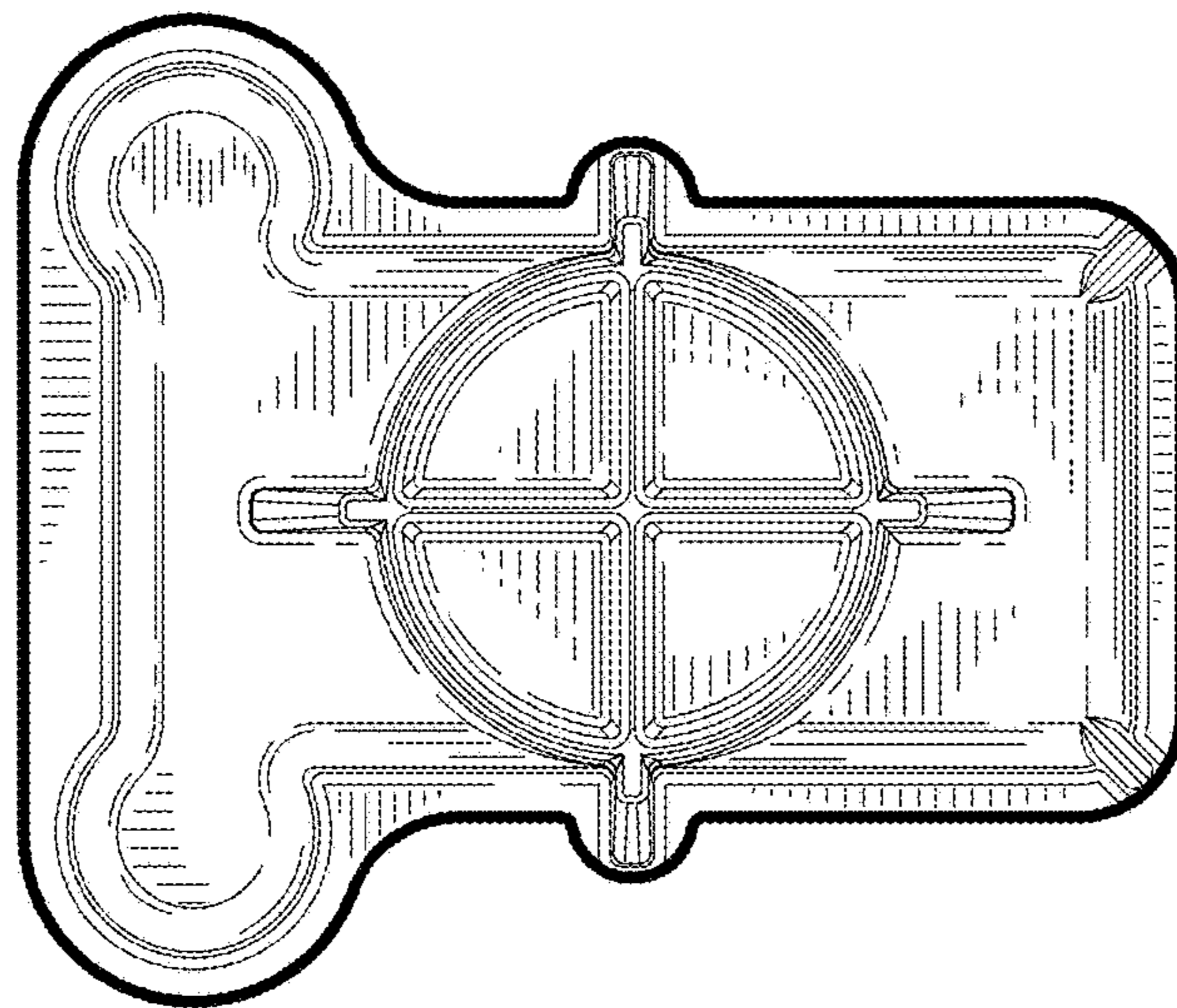


FIG. 4

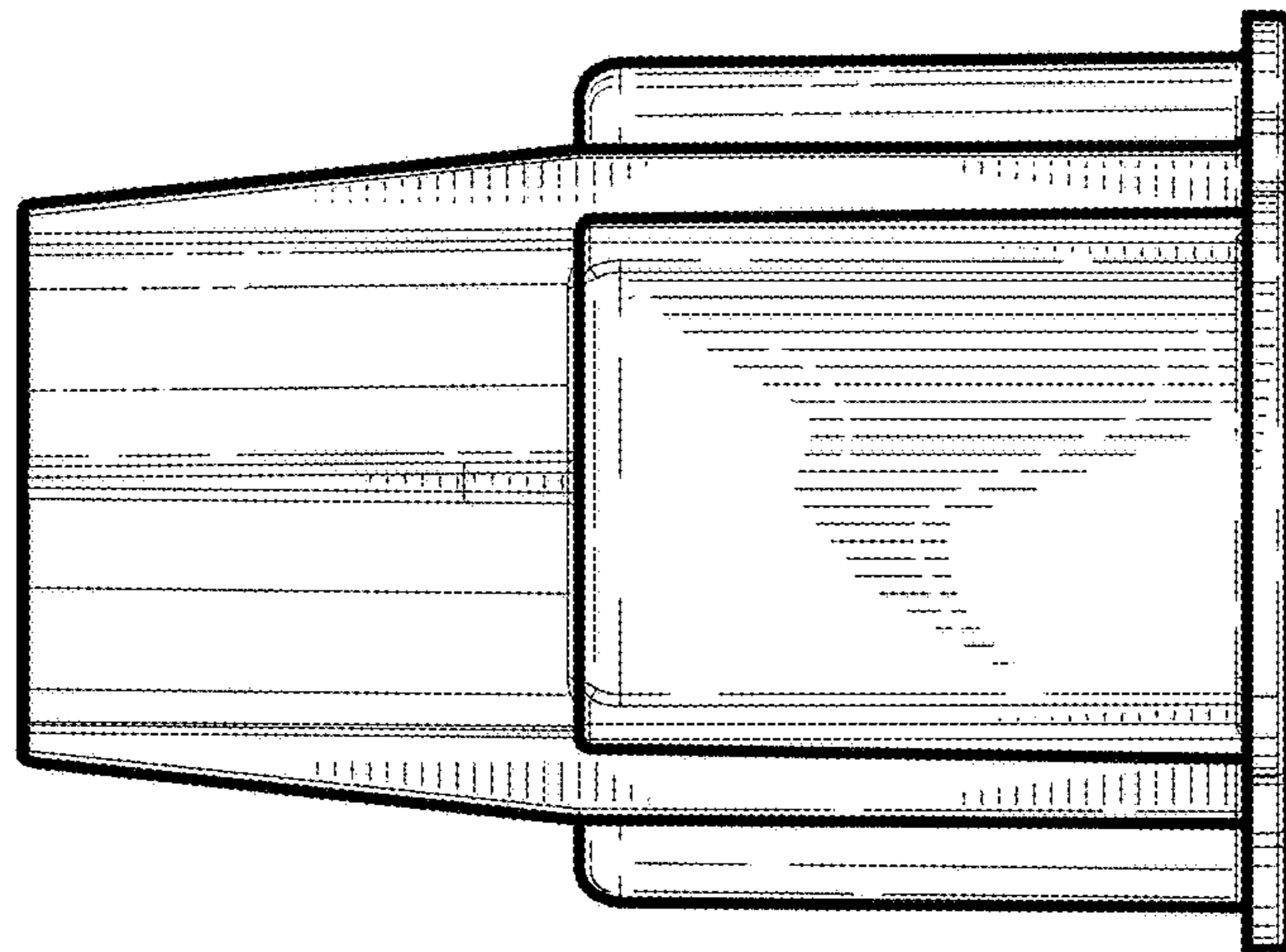


FIG. 5

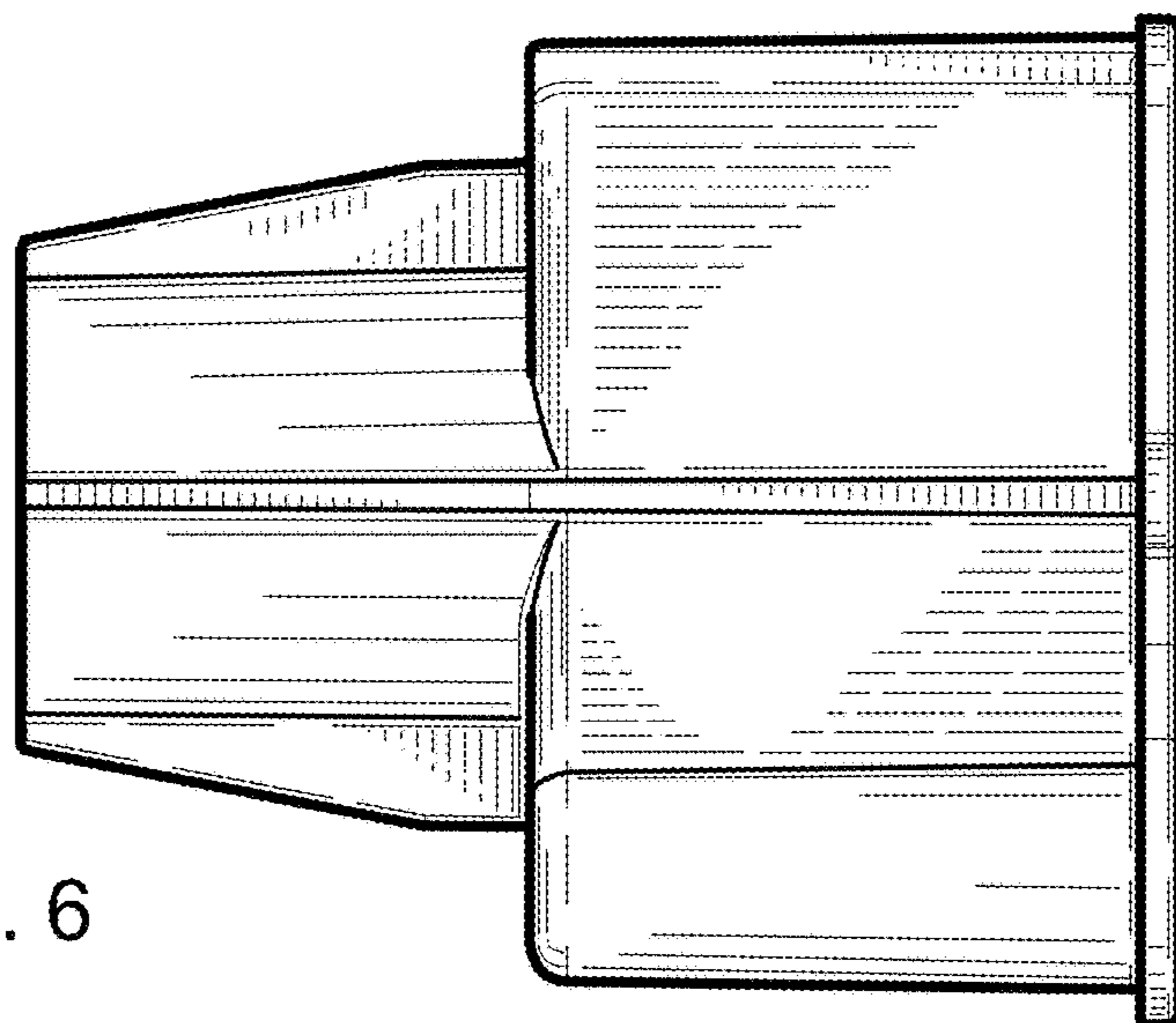


FIG. 6

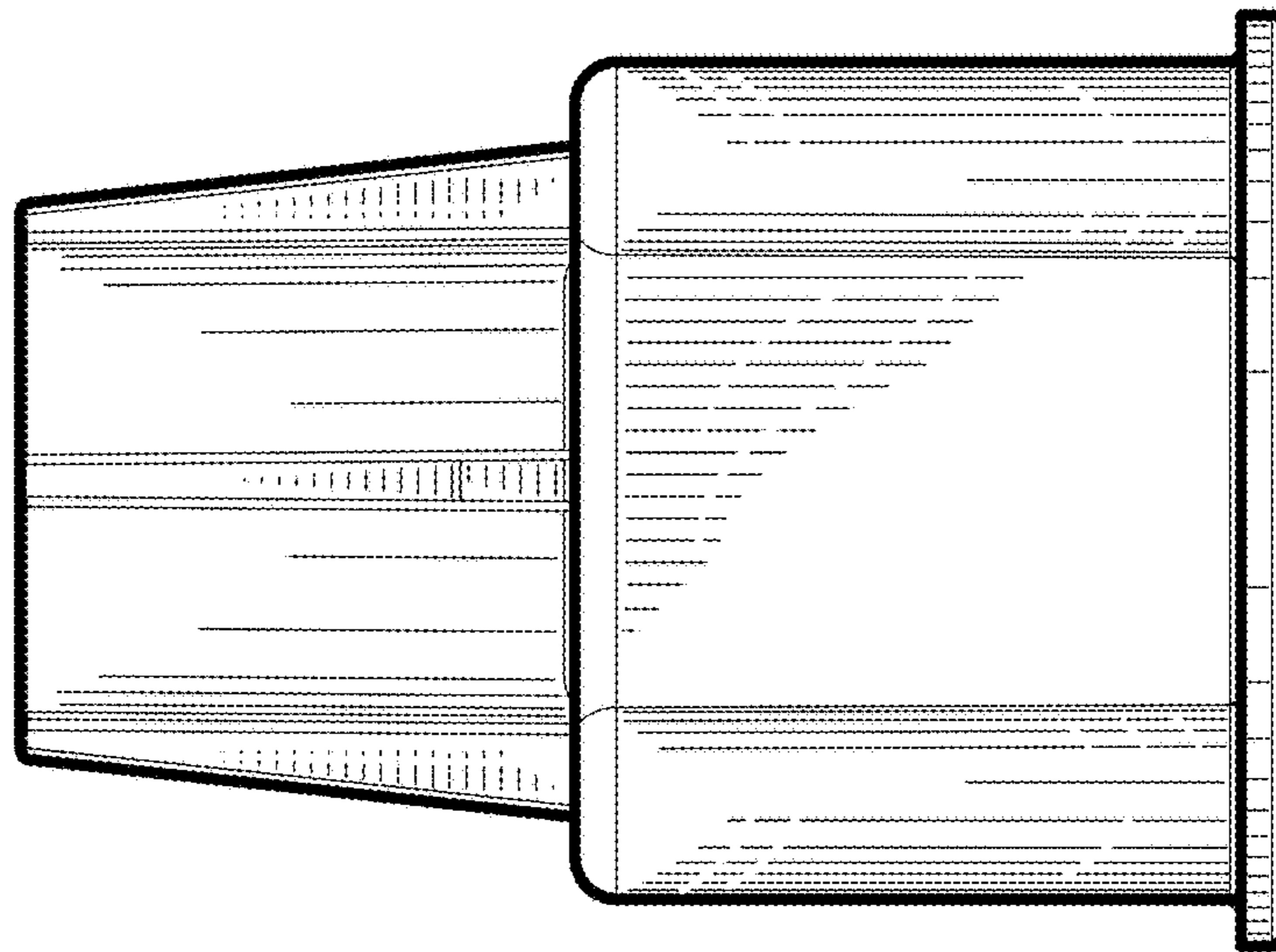


FIG. 7

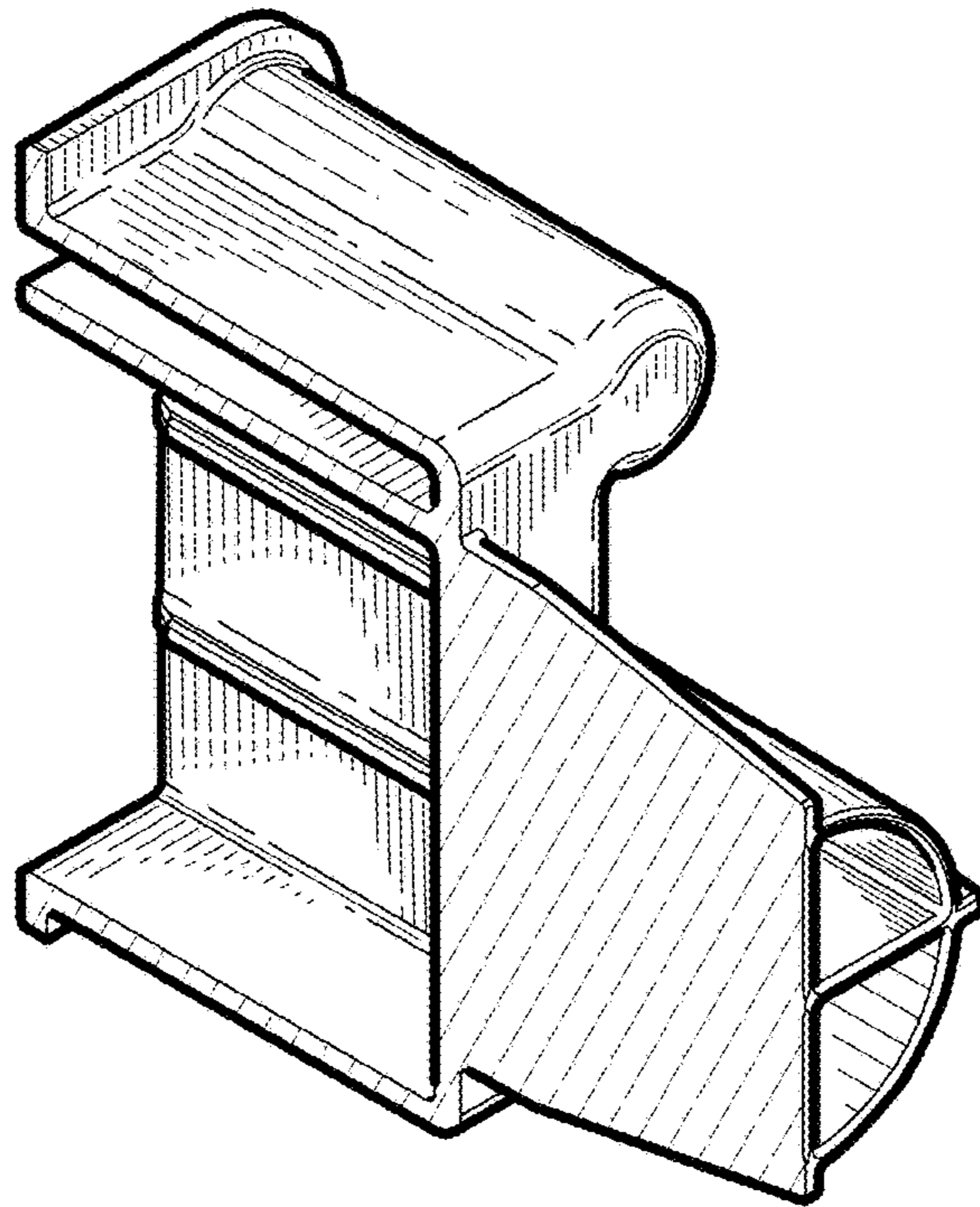


FIG. 8