



US00D865644S

(12) **United States Design Patent** (10) **Patent No.:** **US D865,644 S**
Furuya et al. (45) **Date of Patent:** **** Nov. 5, 2019**

(54) **HITCH MOUNT BICYCLE CARRIER PLATFORM RACK**
(71) Applicant: **CAR MATE MFG. CO., LTD.**, Tokyo (JP)
(72) Inventors: **Masayuki Furuya**, Tokyo (JP); **Katsuya Toyoshima**, Tokyo (JP)
(73) Assignee: **CAR MATE MFG. CO., LTD.**, Tokyo (JP)
(**) Term: **15 Years**
(21) Appl. No.: **29/640,357**
(22) Filed: **Mar. 14, 2018**

(30) **Foreign Application Priority Data**
Sep. 14, 2017 (JP) 2017-020193

(51) **LOC (12) Cl.** **12-16**
(52) **U.S. Cl.**
USPC **D12/408**

(58) **Field of Classification Search**
USPC D12/111, 406, 407, 408, 412, 414
CPC B60R 9/06; B60R 9/10; B60R 11/00
See application file for complete search history.

(56) **References Cited**
U.S. PATENT DOCUMENTS

D329,035 S *	9/1992	Blackburn	D12/408
5,690,260 A *	11/1997	Aikins	B60R 9/06
				224/504
D628,141 S *	11/2010	Weaver	D12/408
D637,137 S *	5/2011	Weaver	D12/408
D656,080 S *	3/2012	Budd	D12/408
D658,567 S *	5/2012	Shen	D12/408
D671,883 S *	12/2012	Farber	D12/408
D684,917 S *	6/2013	Williams	D12/408
D706,209 S *	6/2014	Flaherty	D12/407
D707,617 S *	6/2014	Flaherty	D12/407

D717,717 S *	11/2014	Williams	B60R 9/10
				D12/408
D722,289 S *	2/2015	Williams	D12/408
D727,831 S *	4/2015	Eriksson	D12/407
D743,871 S *	11/2015	Freet	D12/408
9,174,584 B1 *	11/2015	Cha	B60R 9/10
2012/0234883 A1 *	9/2012	Sautter	B60R 9/06
				224/502
2013/0062385 A1 *	3/2013	Pedrini	B60R 9/06
				224/501
2013/0105534 A1 *	5/2013	Farber	B60R 9/06
				224/314
2014/0125045 A1 *	5/2014	Nusbaum	B60R 9/06
				280/769
2016/0096482 A1 *	4/2016	Cha	B60R 9/10
				224/496
2016/0096483 A1 *	4/2016	Cha	B60R 9/06
				224/496

* cited by examiner

Primary Examiner — Darlington Ly
(74) *Attorney, Agent, or Firm* — Oliff PLC

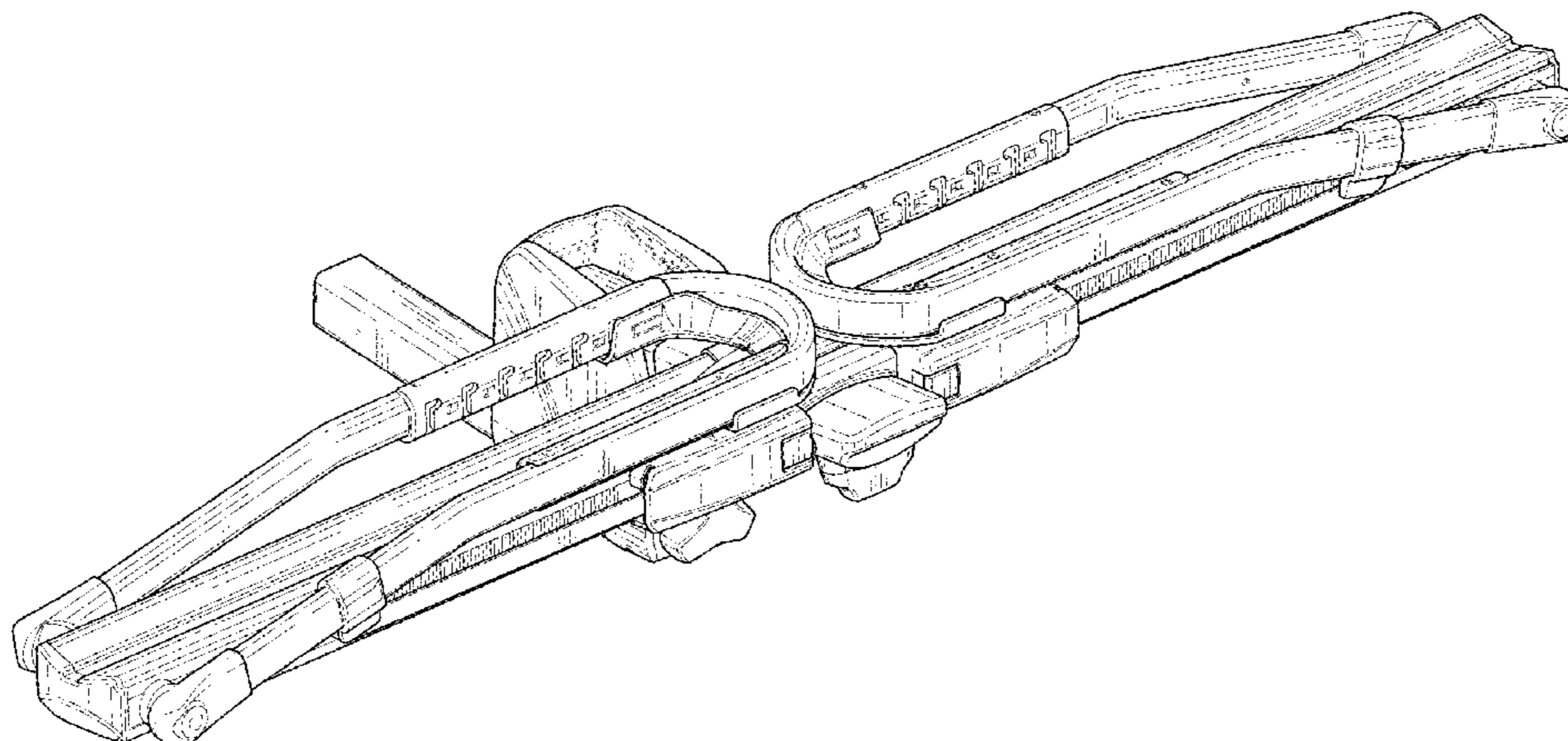
(57) **CLAIM**

The ornamental design for a hitch mount bicycle carrier platform rack, as shown and described.

DESCRIPTION

FIG. 1 is a top, front, and left-side perspective view of a hitch mount bicycle carrier platform rack showing our new design;
FIG. 2 is a front elevation view thereof;
FIG. 3 is a rear elevation view thereof;
FIG. 4 is a top plan view thereof;
FIG. 5 is a bottom plan view thereof;
FIG. 6 is a left-side elevation view thereof; and,
FIG. 7 is a right-side elevation view thereof.
The broken lines in the drawings illustrate portions of the hitch mount bicycle carrier platform rack that form no part of the claimed design.

1 Claim, 6 Drawing Sheets



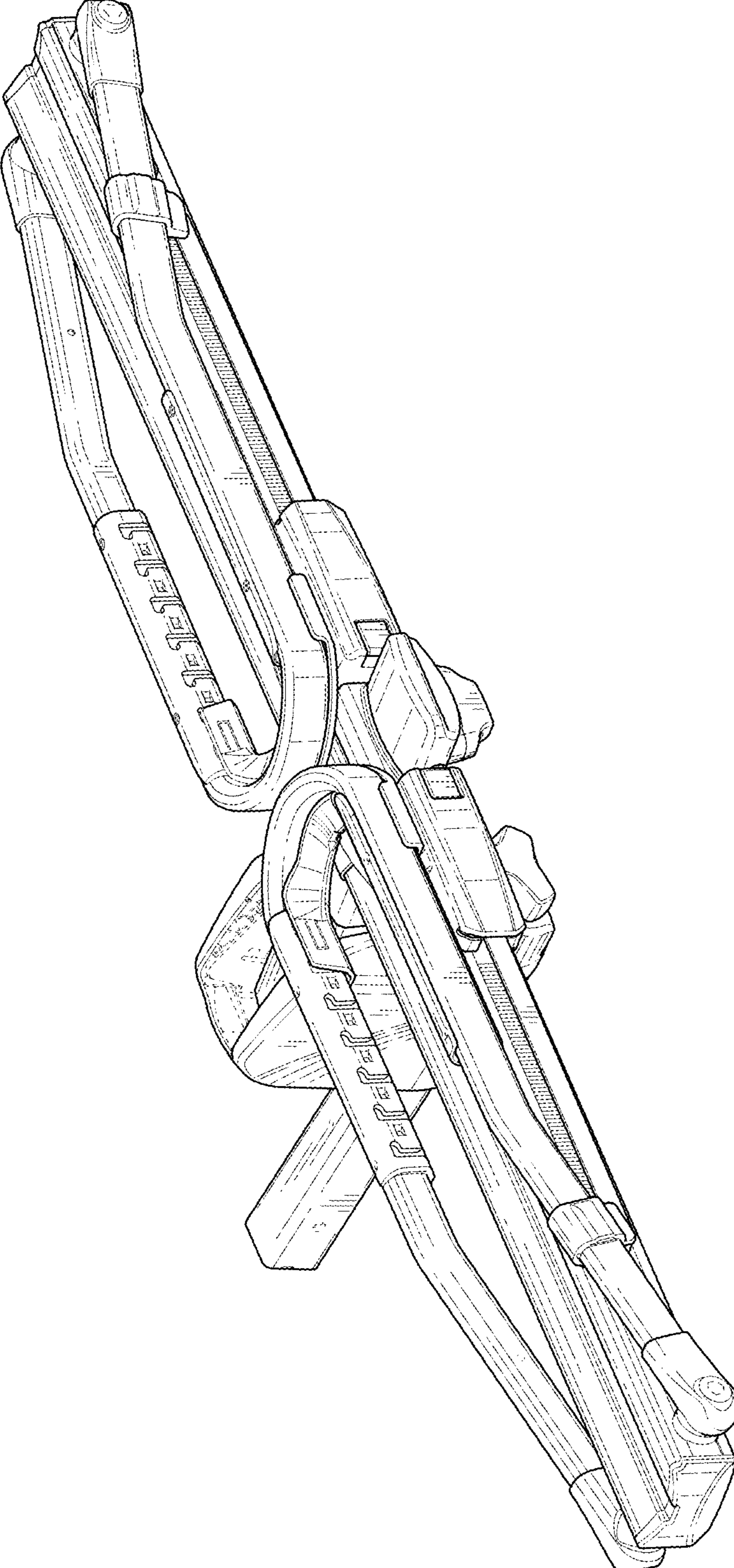


FIG. 1

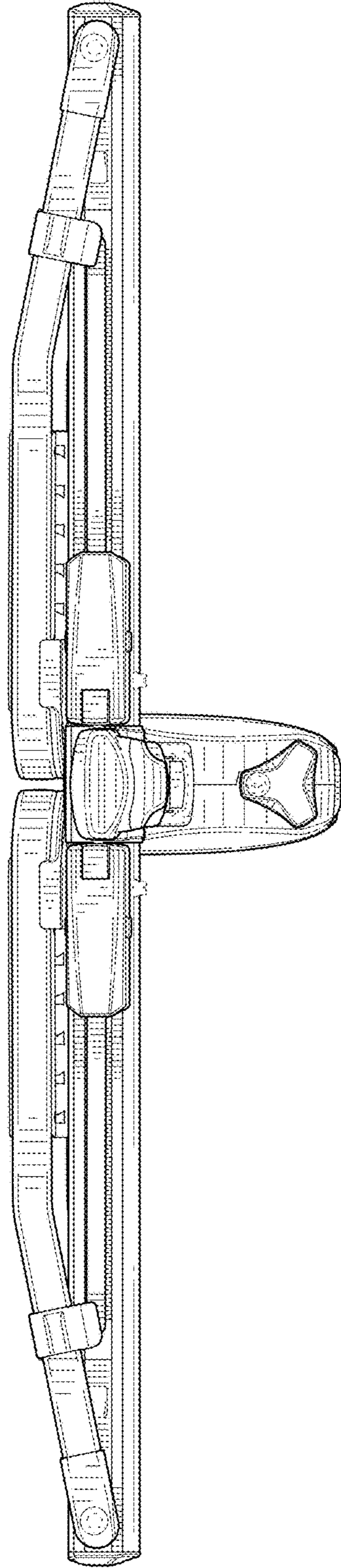


FIG. 2

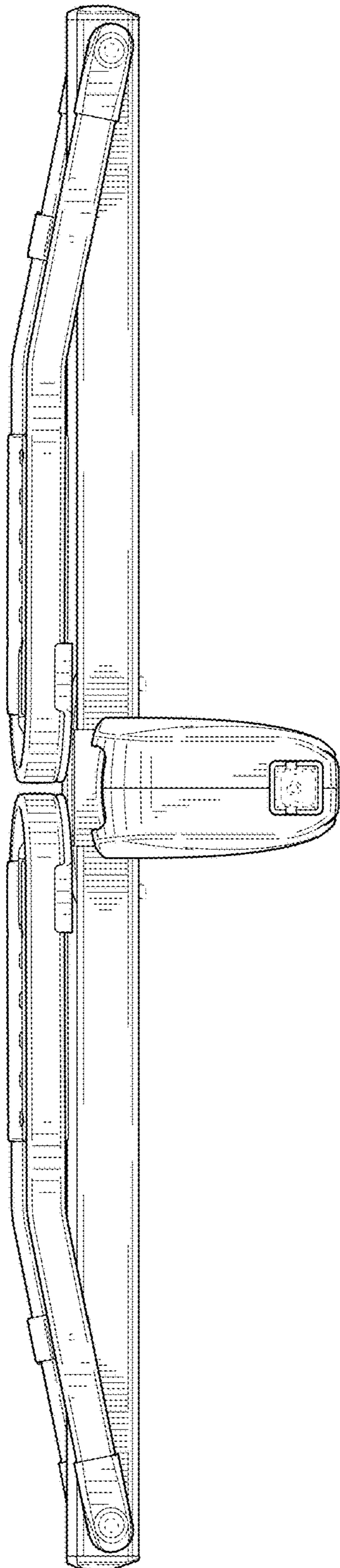


FIG. 3

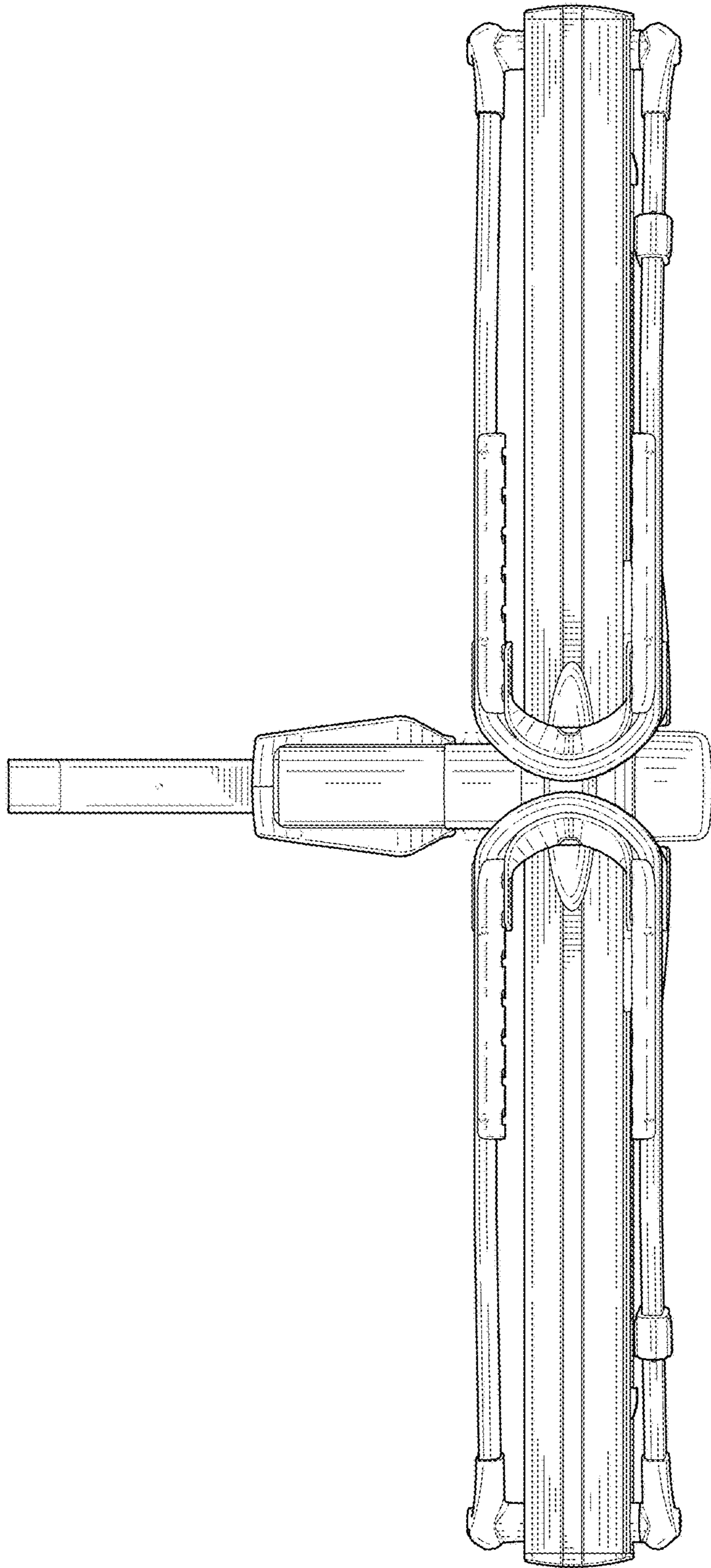


FIG. 4

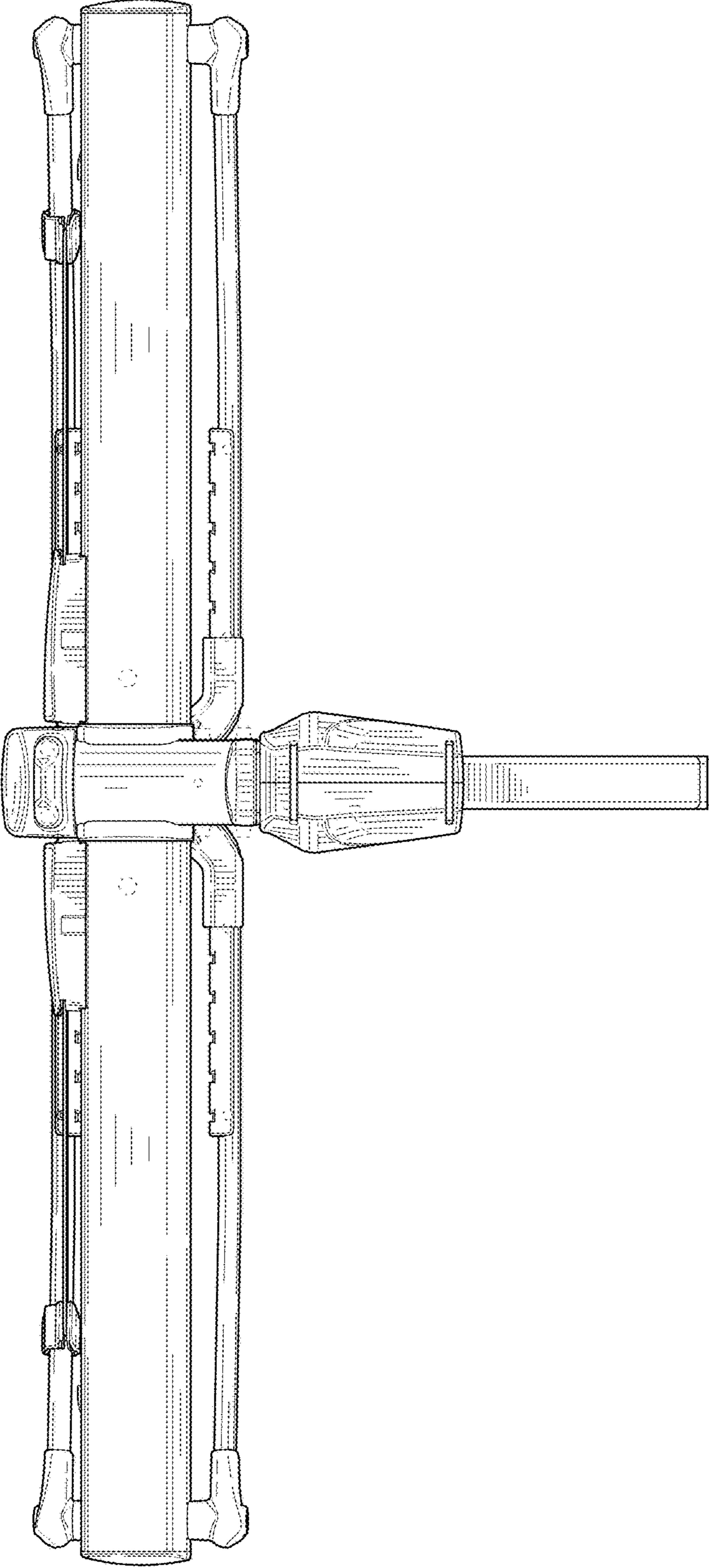


FIG. 5

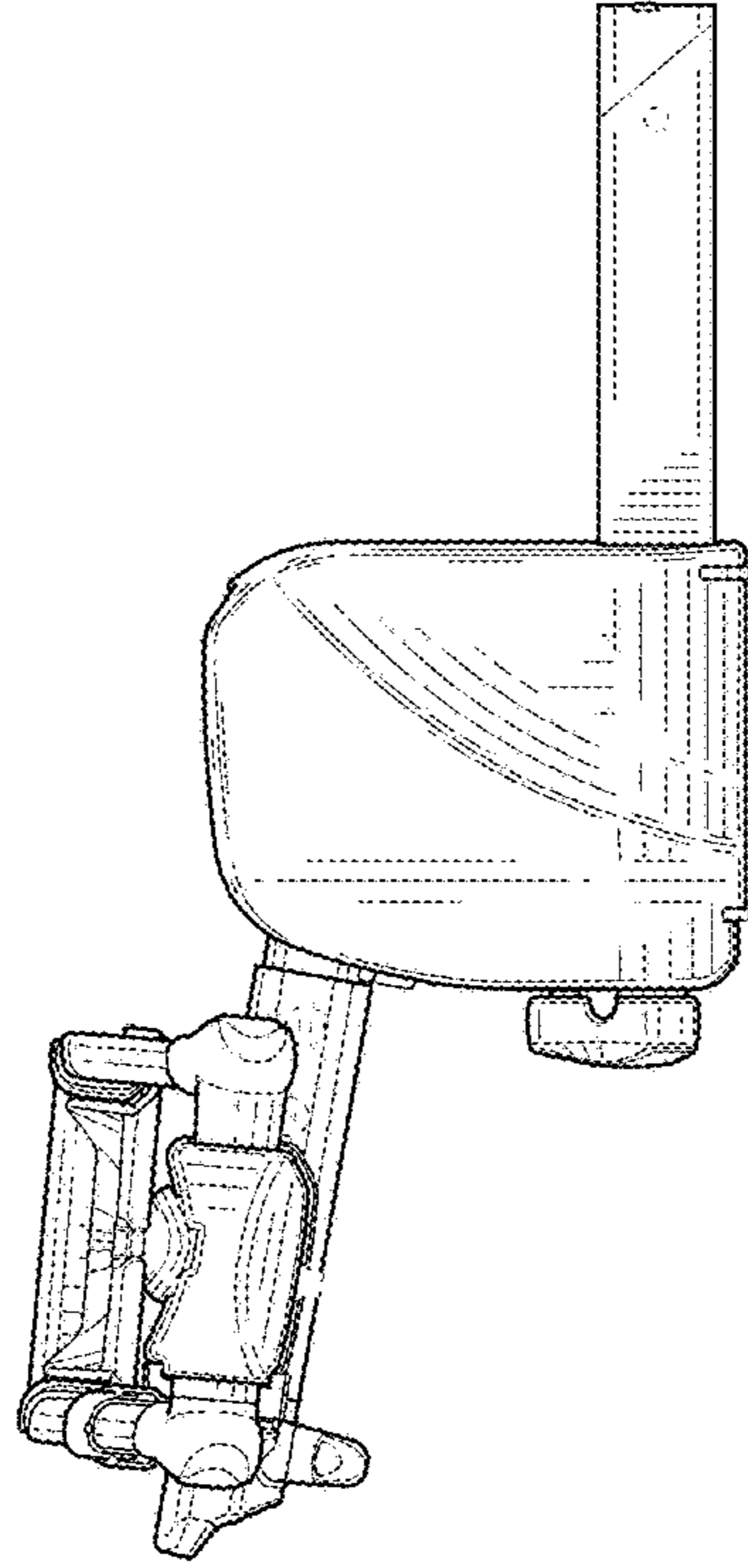


FIG. 6

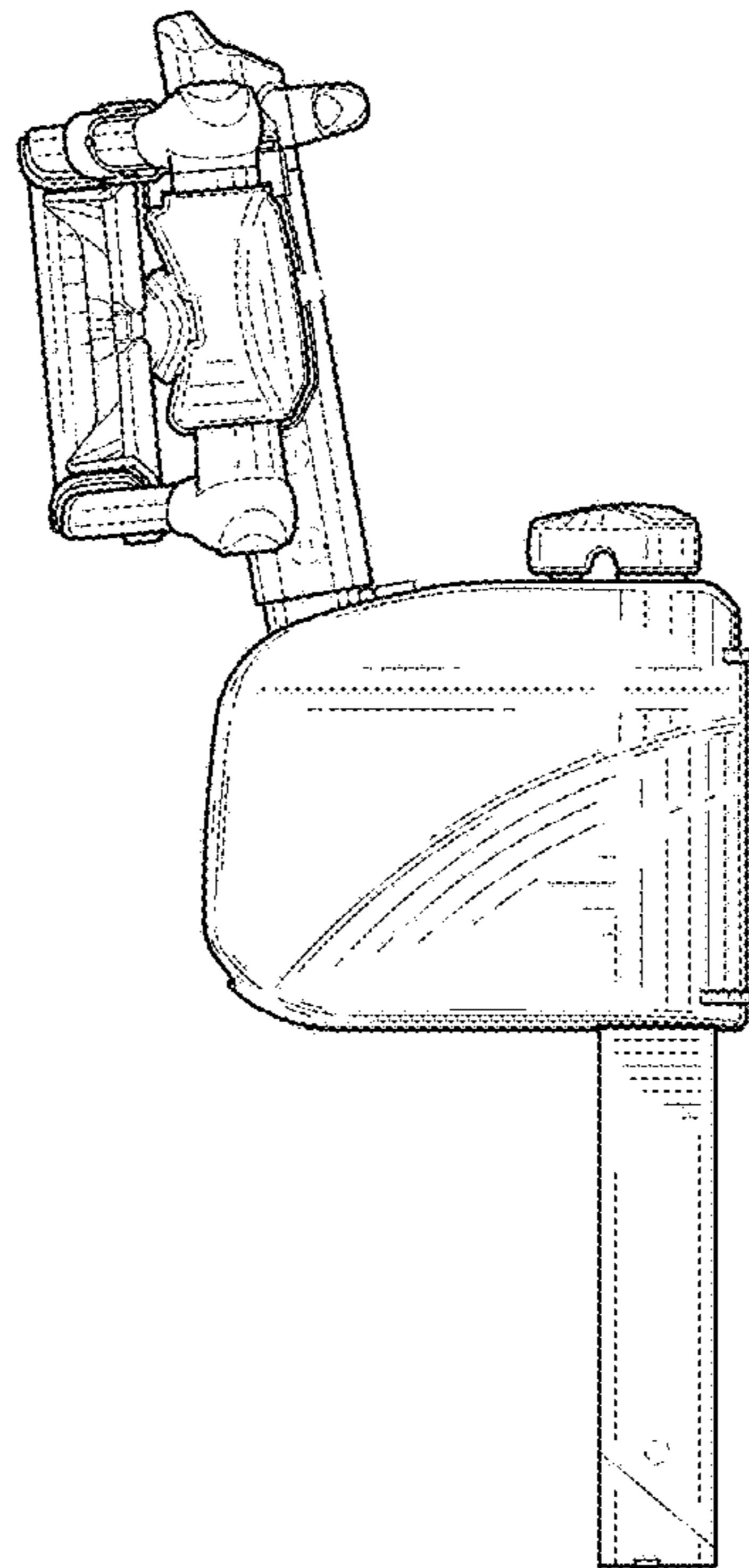


FIG. 7