



US00D865642S

(12) **United States Design Patent** (10) **Patent No.:** **US D865,642 S**
Davidson et al. (45) **Date of Patent:** **** Nov. 5, 2019**

(54) **WALL ASSEMBLY AND CANOPY**
(71) Applicant: **AWOL Outdoors, Inc.**, Somerset, WI (US)
(72) Inventors: **Scott Alan Davidson**, Spring Grove, IL (US); **Kevin Arnold Fleischhacker**, Spring Park, MN (US)

1,595,541 A 8/1926 Borah
1,596,924 A 8/1926 Curtis
2,248,080 A 9/1939 Hathaway
2,923,305 A 2/1960 Cline
2,939,691 A 6/1960 Lewis
(Continued)

(73) Assignee: **AWOL OUTDOORS, INC.**, Somerset, WI (US)

CH 635393 3/1983
DE 3824142 1/1990
(Continued)

(**) Term: **15 Years**

OTHER PUBLICATIONS

(21) Appl. No.: **29/614,015**

Canadian Office Action dated Jul. 5, 2016, for corresponding Canadian Patent Application No. 2,794,484, filed May 3, 2013.

(22) Filed: **Aug. 15, 2017**

(Continued)

Related U.S. Application Data

(60) Continuation of application No. 14/961,450, filed on Dec. 7, 2015, now Pat. No. 9,926,026, which is a division of application No. 13/668,530, filed on Nov. 5, 2012, now Pat. No. 9,205,881.

Primary Examiner — Katrina A Betton
(74) *Attorney, Agent, or Firm* — Steven M. Koehler; Westman, Champlin & Koehler, P.A.

(51) **LOC (12) Cl.** **12-16**

(57) **CLAIM**

(52) **U.S. Cl.**
USPC **D12/404**

The ornamental design for a wall assembly and canopy, as shown and described.

(58) **Field of Classification Search**
USPC D12/401–405
CPC A47D 15/00; A47C 7/66; A47C 31/00; A47G 9/068

DESCRIPTION

See application file for complete search history.

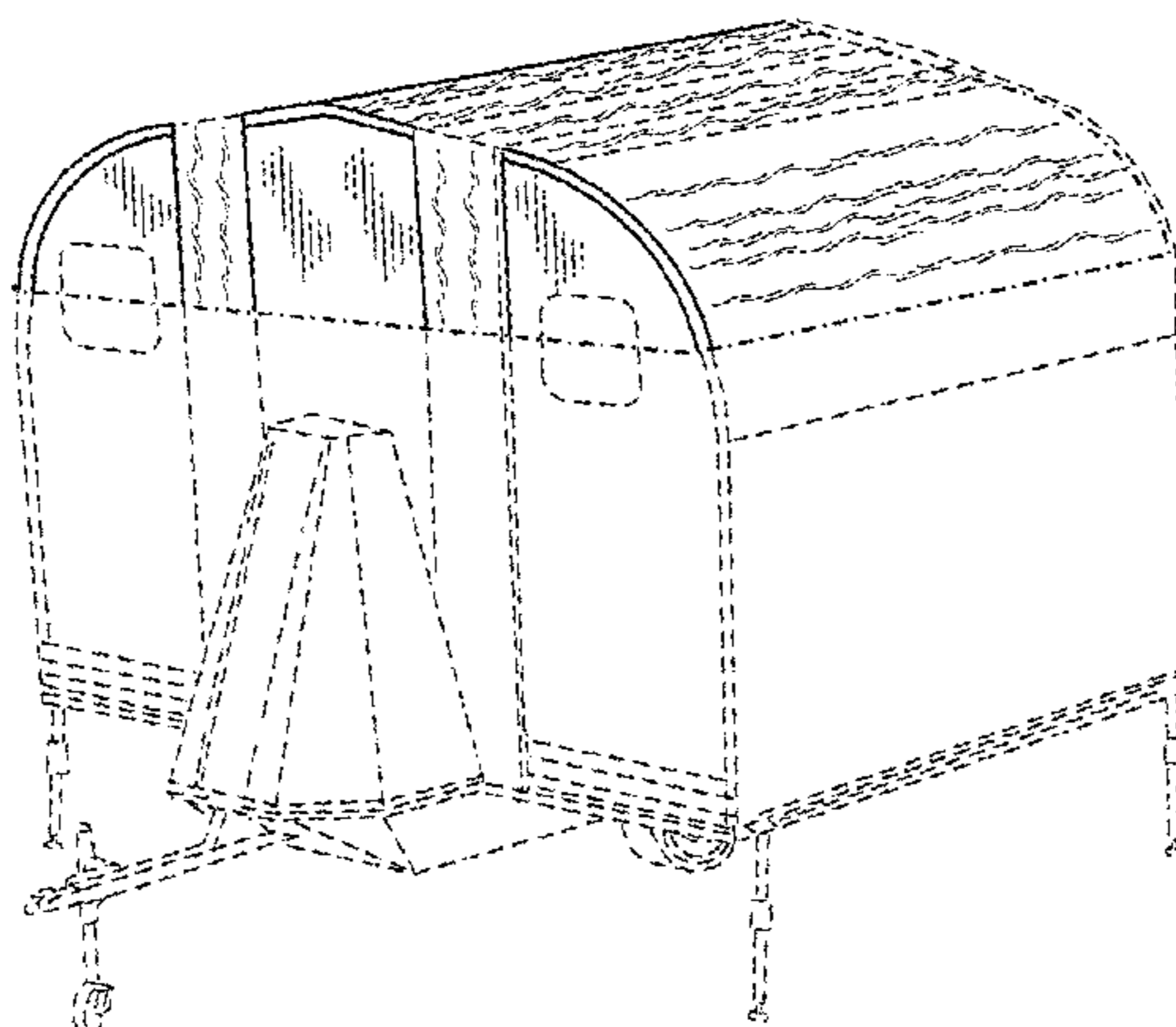
FIG. 1 is a perspective view of the wall assembly and canopy.
FIG. 2 is a top plan view of the wall assembly and canopy.
FIG. 3 is a right side view of the wall assembly and canopy; and,
FIG. 4 is a left side view of the wall assembly and canopy. The broken lines immediately adjacent the shaded areas having alternating long and short dashes represent the bounds of the claimed design where all other broken lines are directed to environment and are for illustrative purposes only.

(56) **References Cited**

U.S. PATENT DOCUMENTS

243,216 A 6/1881 Conner
1,216,986 A 2/1917 Habig
1,276,388 A 8/1918 Marx
1,560,802 A 11/1925 Julstedt
1,564,257 A 12/1925 Lippman
1,568,895 A 1/1926 Lyons

1 Claim, 4 Drawing Sheets



(56)

References Cited

U.S. PATENT DOCUMENTS

2,986,150 A 5/1961 Harold
 3,239,274 A 3/1966 Weiss
 3,288,520 A 11/1966 Krutzikowsky
 3,371,954 A 3/1968 Larsson
 3,394,961 A 7/1968 Gedeon
 3,516,708 A 6/1970 Cox
 3,556,581 A 1/1971 Devanne
 3,558,181 A 1/1971 Peterson
 3,652,122 A 3/1972 Beauregard
 3,670,747 A 6/1972 Pohl
 3,698,734 A 10/1972 Drake
 3,715,141 A 2/1973 Cary
 3,744,191 A 7/1973 Bird
 3,811,454 A 5/1974 Huddle
 3,875,623 A 4/1975 Johnston
 3,970,096 A 7/1976 Nicolai
 D243,216 S 2/1977 Connor
 4,034,772 A 7/1977 Huddle
 4,067,347 A 1/1978 Lipinski
 4,102,352 A 7/1978 Kirkham
 4,119,224 A 10/1978 Moody
 4,201,359 A 5/1980 Baslow
 4,221,398 A 9/1980 Pautrat
 4,240,677 A 12/1980 Payne
 4,358,133 A 11/1982 Stucky
 4,452,294 A 6/1984 Fukuchi
 4,531,847 A 7/1985 F'Geppert
 4,577,876 A 3/1986 Harris
 4,719,934 A 1/1988 Mydans
 4,772,038 A 9/1988 MacDonald
 4,817,655 A 4/1989 Brooks
 4,826,235 A 5/1989 Zwick
 4,878,322 A 11/1989 Ikeda
 4,942,895 A 7/1990 Lynch
 D310,806 S * 9/1990 Hertzberg D12/403
 D311,165 S * 10/1990 Moore D12/403
 4,976,074 A 12/1990 Delamare
 D318,446 S * 7/1991 Magyar D12/403
 5,080,423 A 1/1992 Merlot
 5,107,881 A 4/1992 Feldman
 D327,463 S * 6/1992 Williams D12/403
 5,118,245 A 6/1992 Dunkel
 D333,289 S * 2/1993 Shirlin D12/403
 5,234,011 A 8/1993 Lynch
 5,477,876 A 12/1995 Moss
 5,487,692 A 1/1996 Mowrer
 5,526,610 A 6/1996 Delamare
 5,613,543 A 3/1997 Walton
 D382,248 S 8/1997 Long
 5,784,842 A 7/1998 Wackerbauer
 D397,699 S 9/1998 Desjardins
 5,829,820 A 11/1998 Cowsert
 5,853,016 A 12/1998 Cowan
 5,953,875 A 9/1999 Harkins
 6,290,450 B1 9/2001 Humphries
 6,345,638 B1 2/2002 Warner
 6,474,022 B1 11/2002 Double
 6,499,497 B1 12/2002 Swetish
 6,502,593 B1 1/2003 Stafford
 6,530,165 B2 3/2003 Griesemer
 6,550,802 B2 4/2003 Sheehan
 6,564,513 B2 5/2003 Henbid
 6,679,542 B1 1/2004 Semotuk

6,746,040 B2 6/2004 Bordeleau
 6,832,571 B2 12/2004 Eagles
 7,017,975 B2 3/2006 Farmer
 7,052,065 B2 5/2006 Rasmussen
 7,073,816 B1 7/2006 Larson
 7,186,030 B2 3/2007 Schlanger
 7,216,896 B1 5/2007 McGhie
 7,234,747 B2 6/2007 Rasmussen
 7,287,806 B1 10/2007 Crean
 7,452,000 B2 11/2008 Winter
 D583,746 S 12/2008 Napieraj
 D583,747 S 12/2008 Napieraj
 7,677,625 B2 3/2010 Gosselin
 7,681,941 B2 3/2010 Freeman
 7,721,746 B2 5/2010 Yui
 D619,077 S * 7/2010 Frankham D12/404
 D619,078 S * 7/2010 Frankham D12/404
 7,789,452 B2 9/2010 Dempsey
 7,795,837 B1 9/2010 Huan et al.
 7,810,866 B2 10/2010 Dempsey
 D633,010 S 2/2011 Hixson et al.
 7,967,369 B2 6/2011 Davidson
 7,987,863 B2 8/2011 Warner
 D651,678 S 1/2012 Muggleton
 8,193,760 B2 6/2012 Wagnon et al.
 8,439,426 B2 5/2013 Dempsey
 D689,401 S 9/2013 Calderon
 D690,621 S 10/2013 Rose et al.
 D691,925 S 10/2013 Hindle
 8,549,794 B2 10/2013 Hotes
 D700,111 S 2/2014 Pacholyk et al.
 D716,701 S 11/2014 Beelman, III
 8,699,610 B2 12/2014 Venn
 D732,460 S 6/2015 Seneker et al.
 9,184,628 B2 11/2015 Carpoff
 9,205,881 B2 12/2015 Vandergon et al.
 D764,354 S 8/2016 Riquer-Gonzalez-Cosio
 D775,056 S * 12/2016 Wheel D12/404
 D780,088 S 2/2017 Gholston
 D785,542 S * 5/2017 Patel D12/404
 D796,420 S 9/2017 Abrams
 9,751,446 B2 9/2017 Hixson et al.
 D812,545 S * 3/2018 Donohoe D12/404
 D813,783 S * 3/2018 Dowdey D12/404
 9,926,026 B2 3/2018 Vandergon et al.
 D836,532 S * 12/2018 King D12/404
 2002/0084664 A1 7/2002 McManus
 2003/0197352 A1 10/2003 Bordeleau
 2008/0265617 A1 10/2008 Davidson
 2009/0188538 A1 7/2009 Kim
 2009/0224512 A1 9/2009 Winter
 2009/0288698 A1 11/2009 Chen
 2011/0181006 A1 7/2011 Heppner
 2018/0170467 A1 6/2018 Fleischhacker et al.

FOREIGN PATENT DOCUMENTS

EP 0007580 2/1980
 GB 2359312 8/2001

OTHER PUBLICATIONS

U.S. Appl. No. 29/614,014, filed Aug. 15, 2017.
 U.S. Appl. No. 15/896,903, filed Feb. 14, 2018.

* cited by examiner

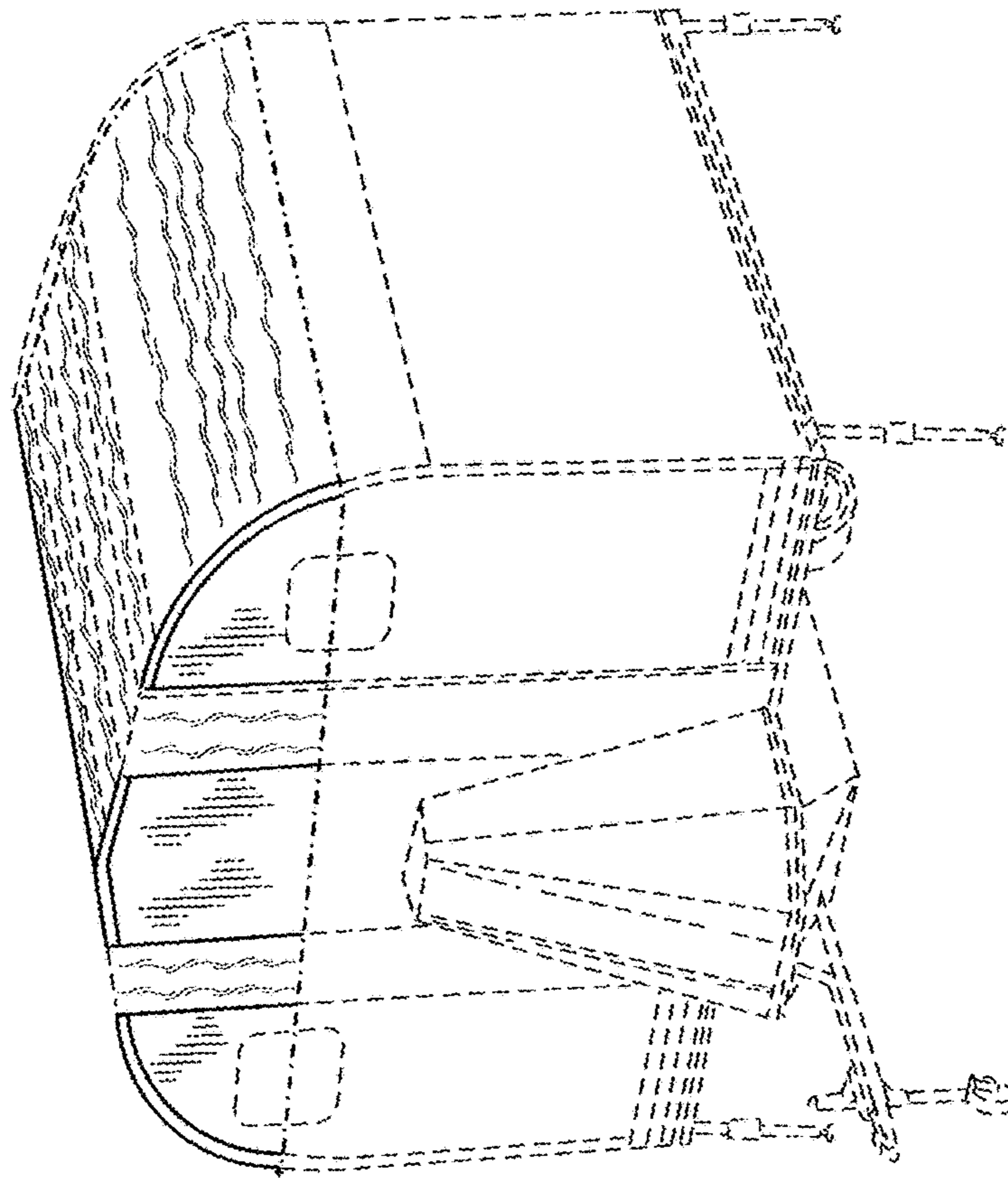


FIG. 1

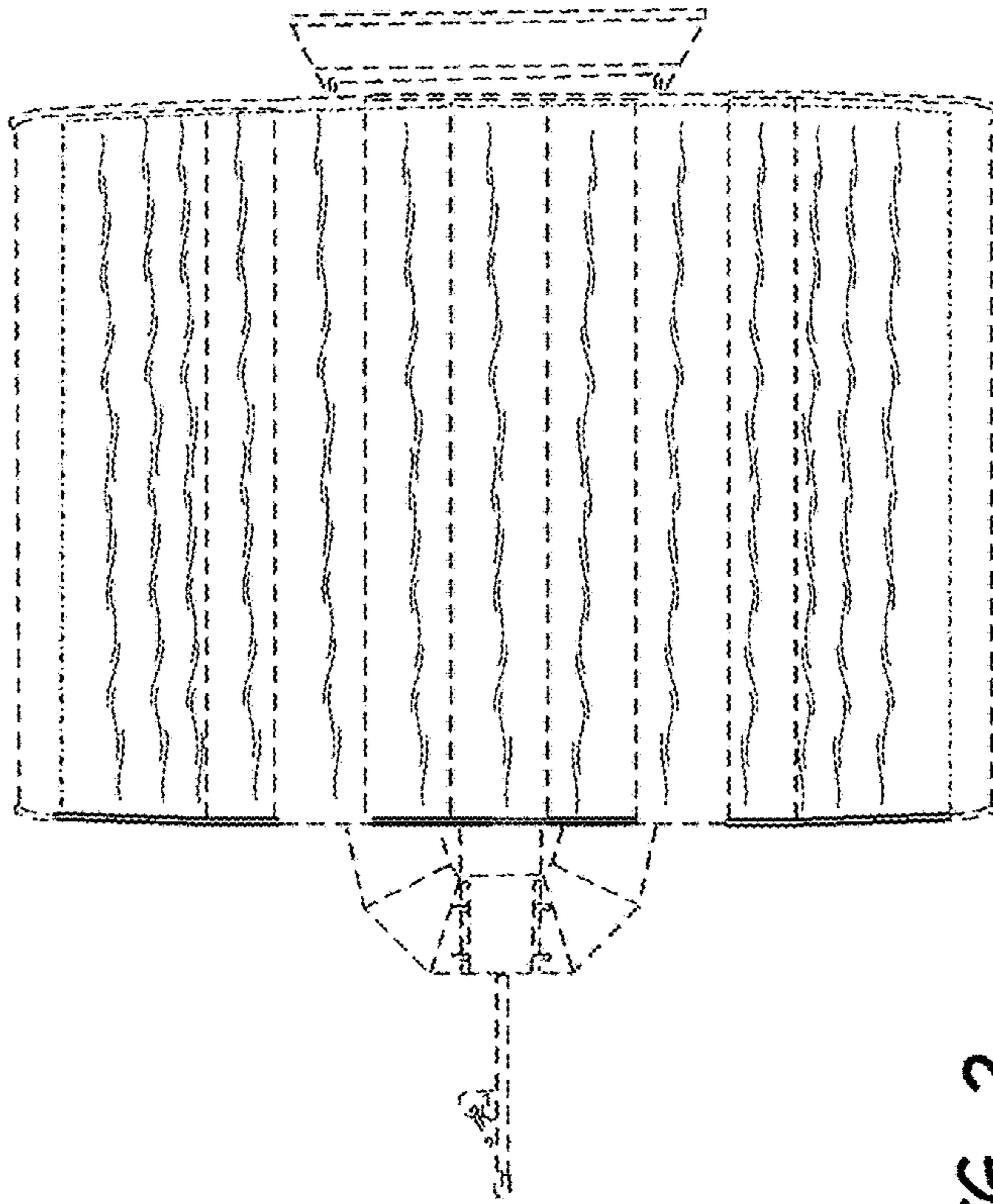


FIG. 2

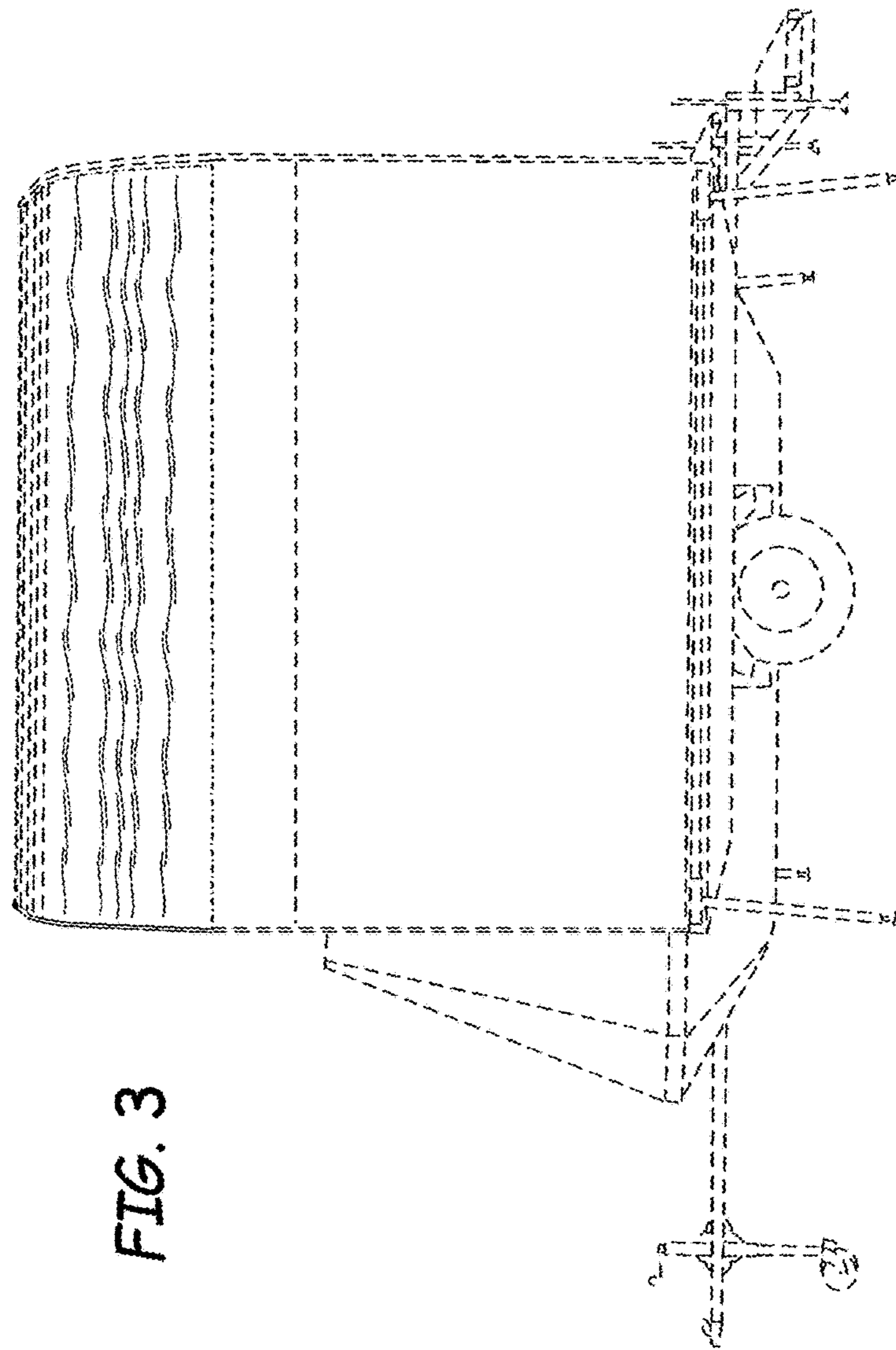


FIG. 4

