



US00D865639S

(12) **United States Design Patent** (10) **Patent No.:** **US D865,639 S**
Adams, III et al. (45) **Date of Patent:** **** Nov. 5, 2019**

(54) **ON-BOARD DIAGNOSTICS MODULE**

9,941,633 B2 * 4/2018 Simonazzi H01R 13/6272
2007/0155209 A1 * 7/2007 Takahashi H01R 13/6272
439/157
2014/0052531 A1 * 2/2014 Kent G06Q 30/02
705/14.49

(71) Applicant: **Solera Holdings, Inc.**, Westlake, TX (US)

(72) Inventors: **Arnold Ray Adams, III**, Rockwall, TX (US); **Anthony Aquila**, Westlake, TX (US); **Raymond Charles Daley**, Richardson, TX (US); **Timothy H. Huff**, Carrollton, TX (US); **Daniel Jun-Hyun Kim**, Roanoke, TX (US); **Joseph Thomas Mader**, Southlake, TX (US)

(73) Assignee: **Facebook, Inc.**, Menlo Park, CA (US)

(**) Term: **15 Years**

(21) Appl. No.: **29/616,015**

(22) Filed: **Sep. 1, 2017**

(51) **LOC (12) Cl.** **12-16**

(52) **U.S. Cl.**
USPC **D12/400**

(58) **Field of Classification Search**
USPC D12/400; D14/383; D10/70
See application file for complete search history.

(56) **References Cited**

U.S. PATENT DOCUMENTS

5,442,170 A * 8/1995 Kreft H01R 29/00
250/227.11
D491,530 S * 6/2004 Yang D13/147
D500,291 S * 12/2004 Byrne D13/147
7,225,065 B1 * 5/2007 Hunt B60R 16/0207
701/33.2
D571,241 S * 6/2008 Andreasen D10/78
D624,502 S * 9/2010 Ayers D13/147
D724,977 S * 3/2015 Browning D10/80
D742,379 S * 11/2015 Haidar D14/383
9,574,882 B2 * 2/2017 Schilling G01C 21/20
D785,570 S * 5/2017 Fischer D13/138.1

OTHER PUBLICATIONS

The Truth About OBD2 Adapters posted to Carista Blog. [site visited Mar. 21, 2019] posted date Aug. 29, 2017. Available at: < <https://blog.caristaapp.com/the-truth-about-obd-adapters-e98ddf022bf8> > (Year: 2017).*

(Continued)

Primary Examiner — Kevin K Rudzinski

(74) *Attorney, Agent, or Firm* — Baker Botts L.L.P.

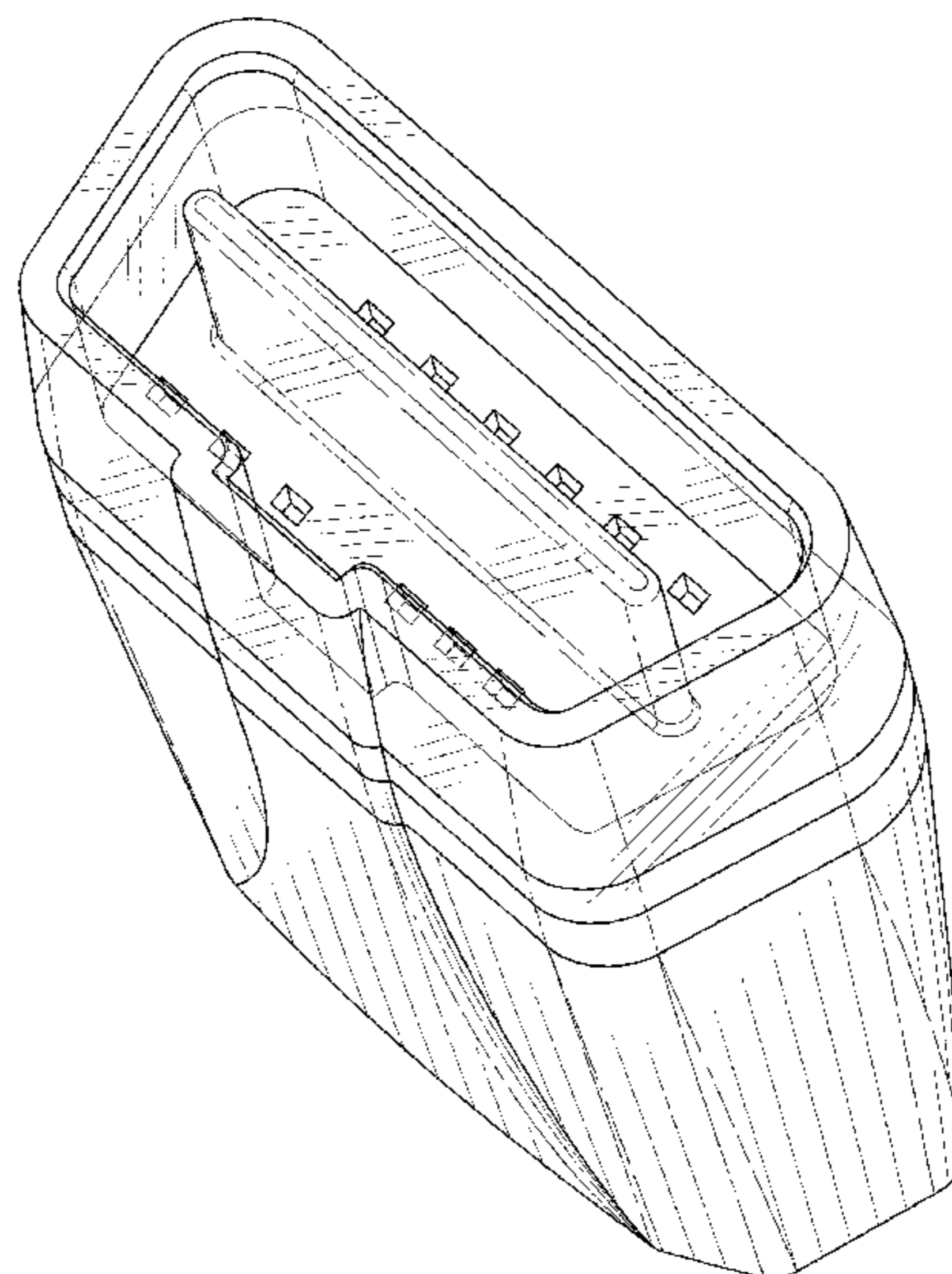
(57) **CLAIM**

The ornamental design for an on-board diagnostics module, as shown and described.

DESCRIPTION

FIG. 1 is a perspective view of an on-board diagnostic module showing our new design;
FIG. 2 is a bottom view of the on-board diagnostic module of FIG. 1;
FIG. 3 is a top view of the on-board diagnostic module of FIG. 1;
FIG. 4 is a left side view of the on-board diagnostic module of FIG. 1;
FIG. 5 is a right side view of the on-board diagnostic module of FIG. 1;
FIG. 6 is a front side view of the on-board diagnostic module of FIG. 1; and,
FIG. 7 is a back side of the on-board diagnostic module of FIG. 1.

1 Claim, 5 Drawing Sheets



(56)

References Cited

OTHER PUBLICATIONS

The Myth That OBD-II Devices Void The Warranty posted to Automile. [site visited Mar. 21, 2019] posted date Jan. 26, 2016. Available at: < <https://blog.automile.com/myth-obd-ii-devices-void-warranty/> > (Year: 2016).*

* cited by examiner

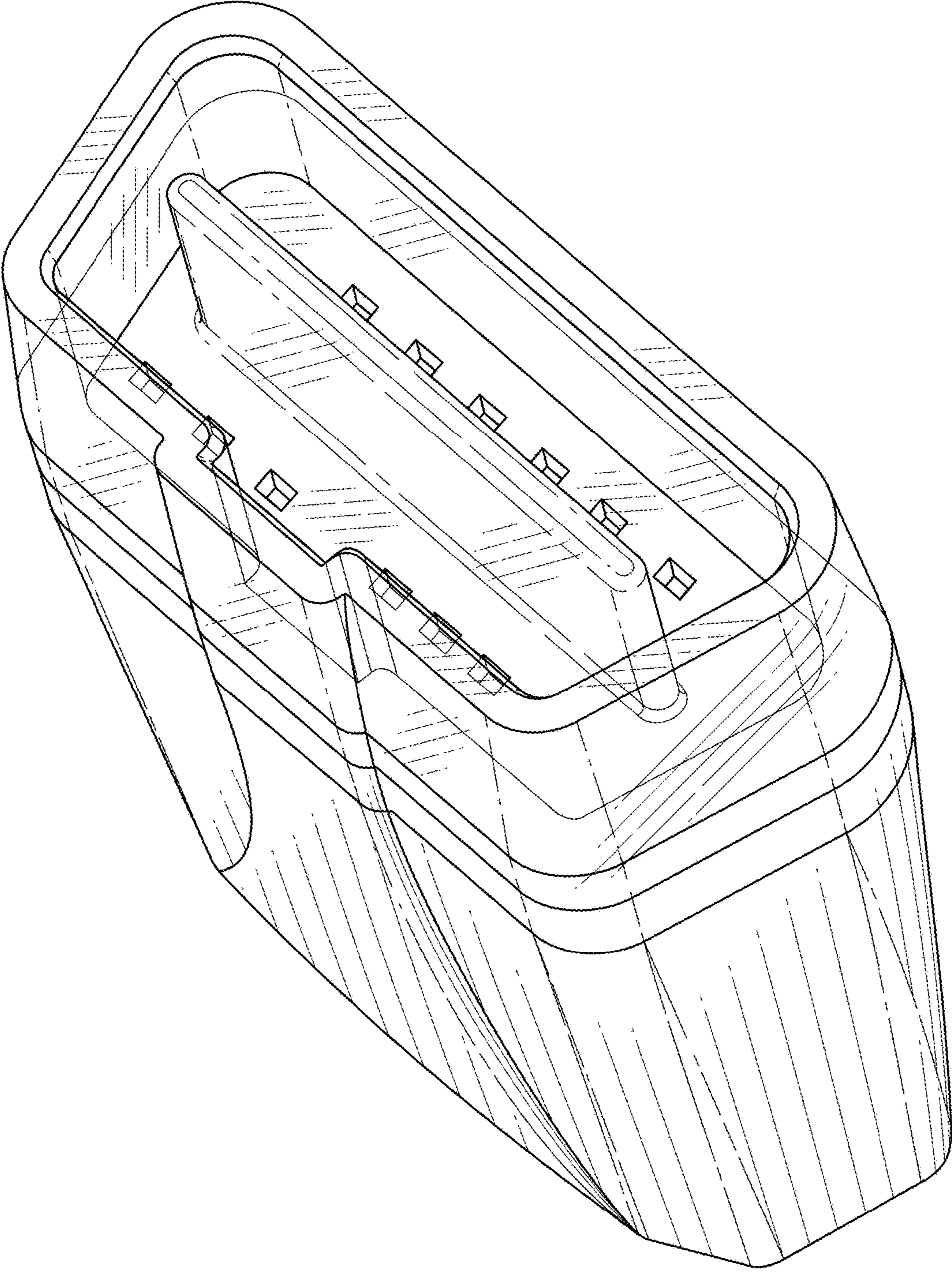


FIG. 1

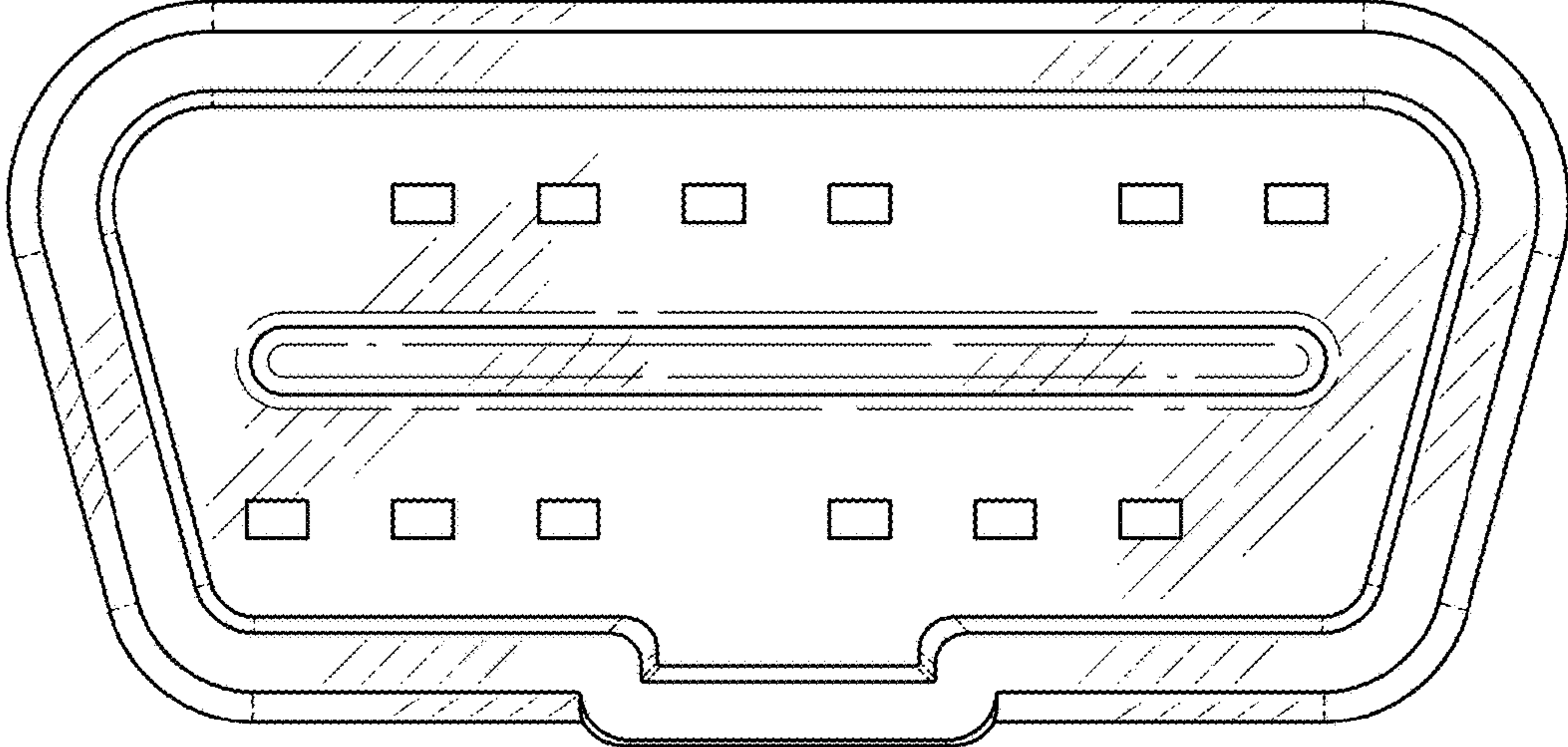


FIG. 2

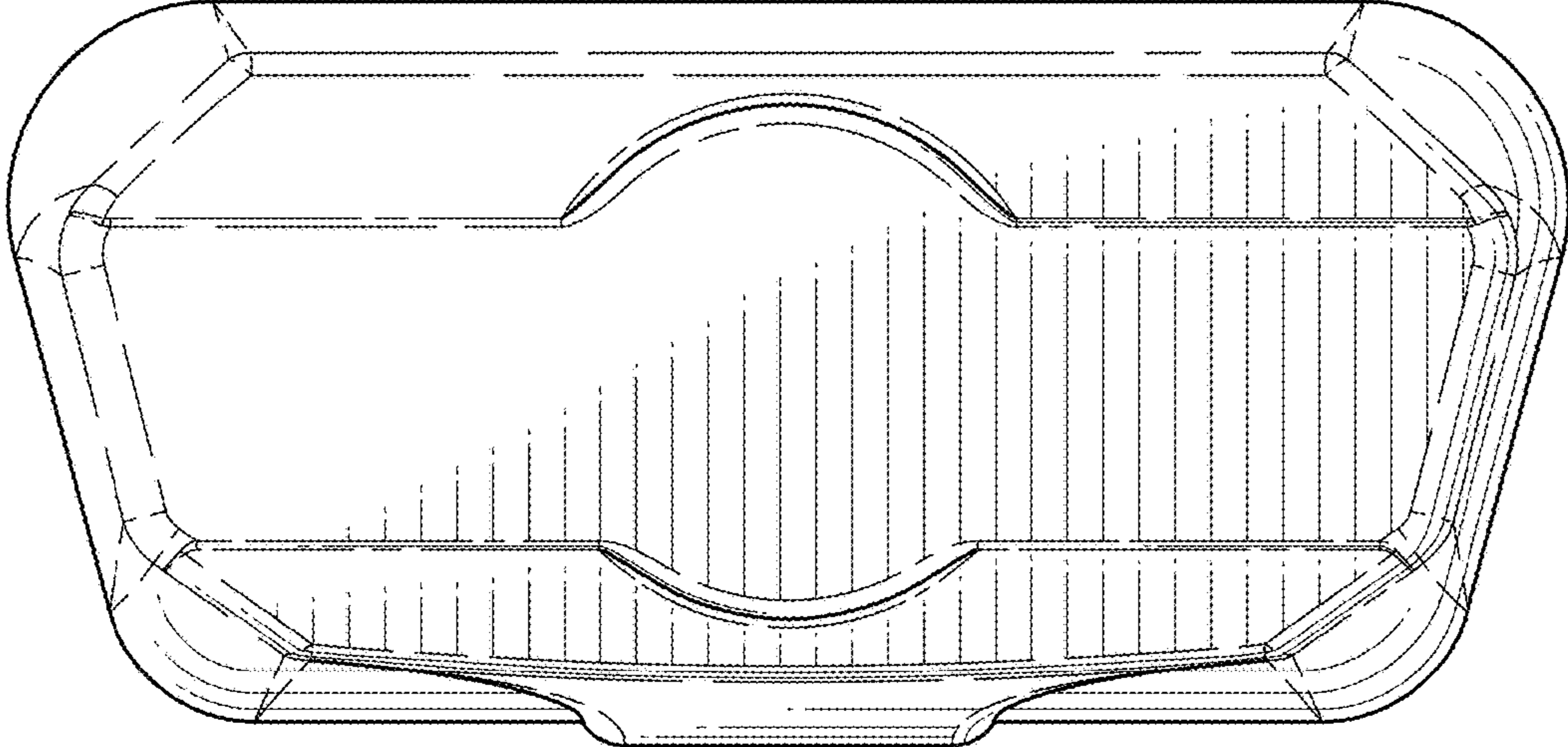


FIG. 3

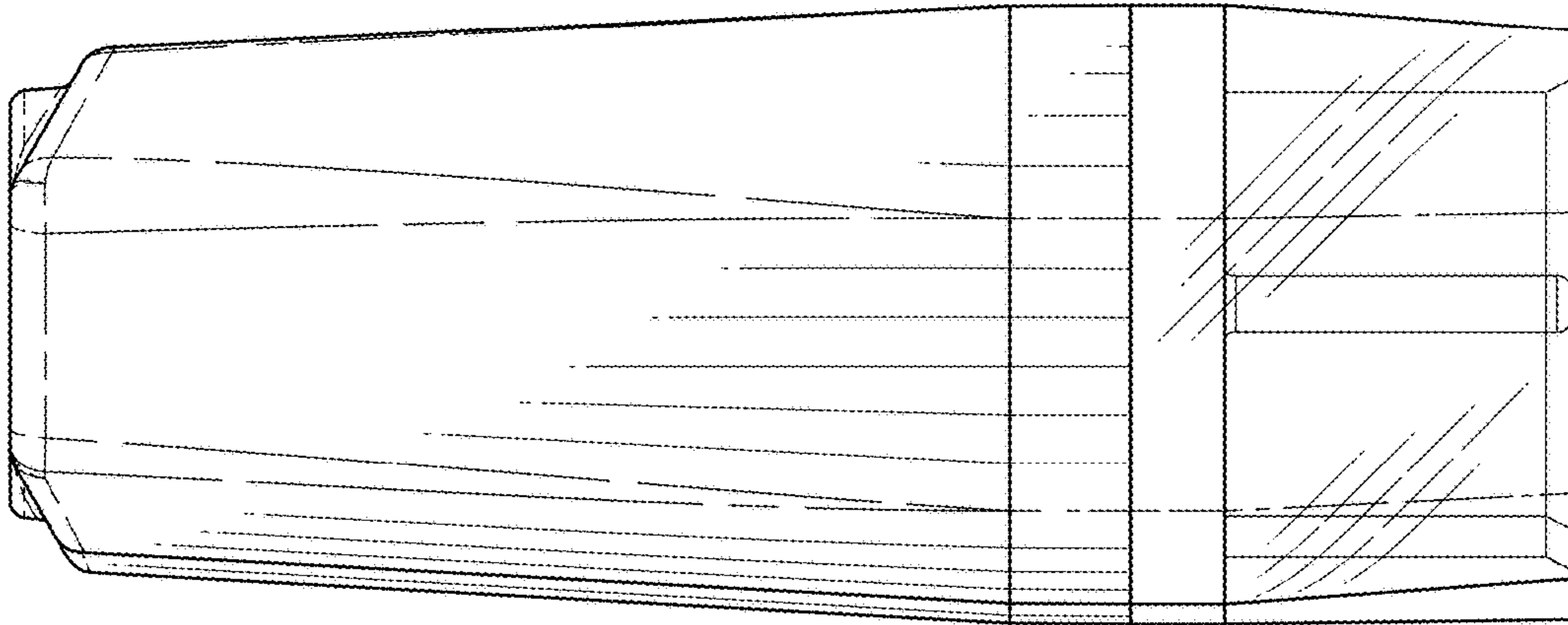


FIG. 4

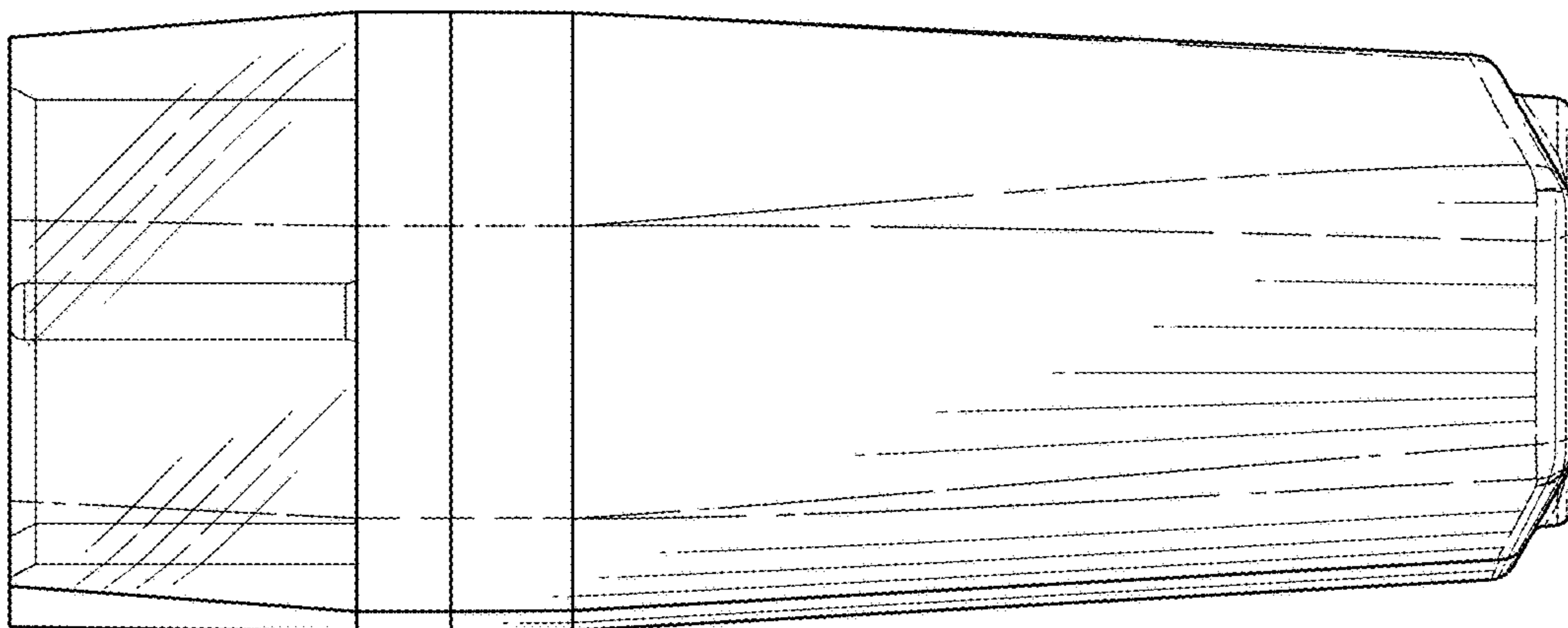


FIG. 5

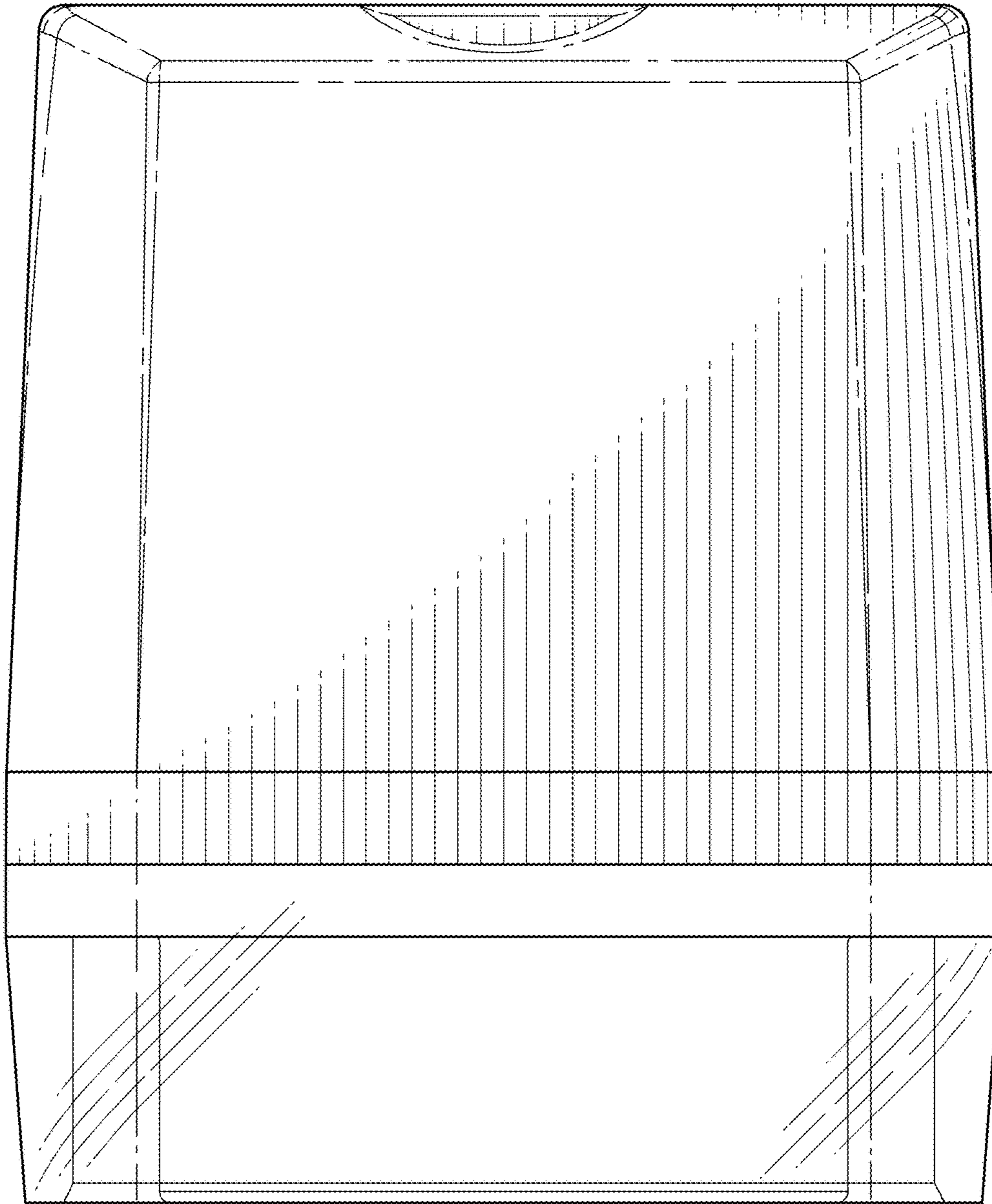


FIG. 6

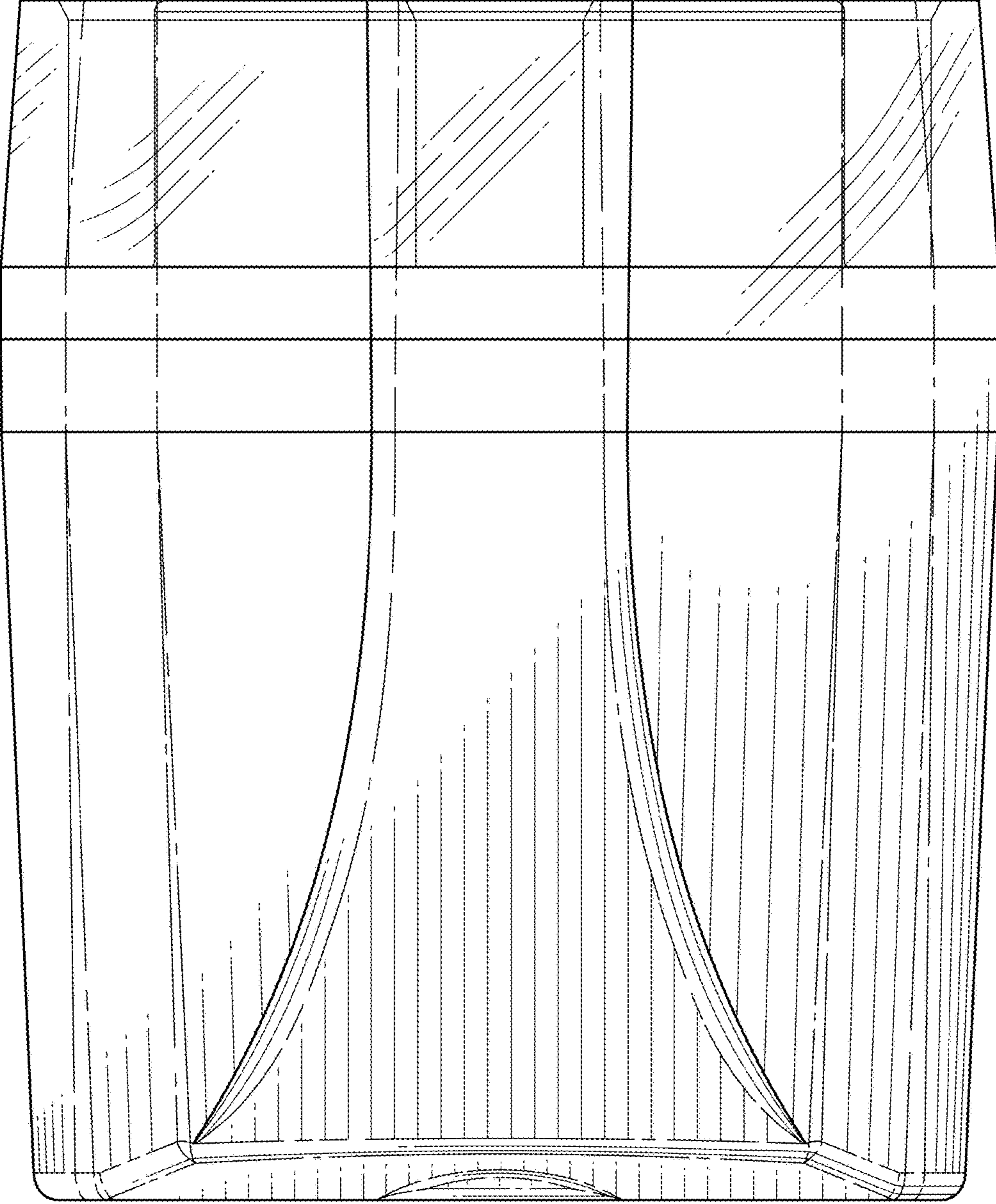


FIG. 7