



US00D865638S

(12) **United States Design Patent** (10) **Patent No.:** **US D865,638 S**
Kruk et al. (45) **Date of Patent:** **** Nov. 5, 2019**

(54) **JOYSTICK**
(71) Applicant: **ISRAEL AEROSPACE INDUSTRIES LTD.**, Lod (IL)
(72) Inventors: **Eyal Kruk**, Petah Tiqwa (IL); **Omer Frank**, Tel Aviv (IL)
(73) Assignee: **ISRAEL AEROSPACE INDUSTRIES LTD.**, Lod (IL)
(**) Term: **15 Years**
(21) Appl. No.: **29/612,243**
(22) Filed: **Jul. 31, 2017**

(30) **Foreign Application Priority Data**
Jan. 31, 2017 (IL) 59905
Jan. 31, 2017 (IL) 59906
(51) **LOC (12) Cl.** **12-07**
(52) **U.S. Cl.**
USPC **D12/345**; D14/412; D14/416
(58) **Field of Classification Search**
USPC D14/400-418, 426-430, 454-455, 203.3, D14/218, 300, 356, 383, 388, 399, 432, D14/358; D21/331, 333, 566, 572-574, D21/324, 328, 436, 447, 448, 449, 453; D22/100, 103-105; D13/162, 162.1, 168; D10/78, 98, 103; D12/319, 323, 336, D12/345, 415, 416, 174, 179, 180, 192
CPC .. A63F 9/02; A63F 9/24; A63F 9/0291; A63F 9/0252; A63F 13/00; A63H 5/04; F41J 5/02; H01H 25/04; H01H 25/041; H01H 25/043; E02F 9/2004; G05G 9/047; G06F 3/011; G06F 3/038
See application file for complete search history.

(56) **References Cited**
U.S. PATENT DOCUMENTS
D352,739 S * 11/1994 Ho D14/416
D381,048 S * 7/1997 Lee D14/416

D392,690 S * 3/1998 Kaneko D14/416
D396,899 S * 8/1998 Kaneko D14/416
(Continued)

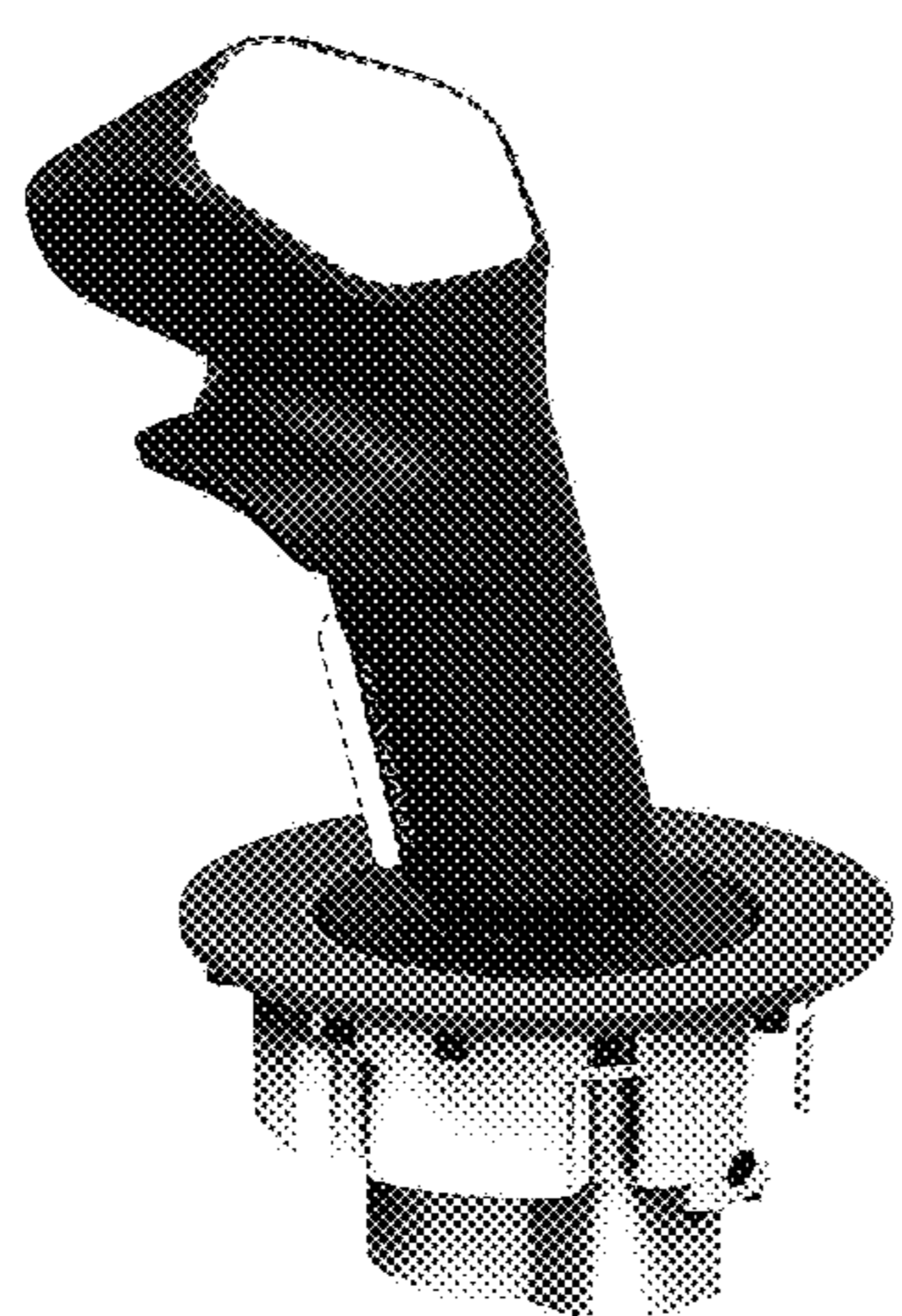
OTHER PUBLICATIONS
PXN-2113 Hot PC USB Flight Joysticks Vibration Joystick Rocker Flighter Simulator Game Controller, online, first review Jun. 24, 2018 , <URL: <https://www.aliexpress.com/i/32849701815.html> >, retrieved Mar. 13, 2019.*
(Continued)

Primary Examiner — Jeffrey D Asch
Assistant Examiner — Rebekah A Caruso
(74) *Attorney, Agent, or Firm* — Dorsey & Whitney LLP

(57) **CLAIM**
The ornamental design for a joystick, as shown and described.

DESCRIPTION
FIG. 1 is a front perspective view of a new design for a joystick;
FIG. 2 is a top perspective view of the joystick shown in FIG. 1;
FIG. 3 is another top perspective view of the joystick shown in FIG. 1;
FIG. 4 is a right perspective view of the joystick shown in FIG. 1;
FIG. 5 is top view of the joystick shown in FIG. 1;
FIG. 6 is a bottom view of the joystick shown in FIG. 1;
FIG. 7 is a right view of the joystick shown in FIG. 1;
FIG. 8 is a left view of the joystick shown in FIG. 1;
FIG. 9 is a front view of the joystick shown in FIG. 1; and,
FIG. 10 is a rear view of the joystick shown in FIG. 1.
The areas delineated in broken lines are included for the purpose of illustrating environmental structure and form no part of the claimed design.

1 Claim, 10 Drawing Sheets



(56)

References Cited

U.S. PATENT DOCUMENTS

D441,366 S * 5/2001 Alviar D14/412
D441,367 S * 5/2001 Alviar D14/412
D444,785 S * 7/2001 Whitehorn D14/412
D479,239 S * 9/2003 Faust D14/415
6,892,481 B2 * 5/2005 Yamamoto E02F 9/2004
324/207.2
D508,964 S * 8/2005 Golliher D21/566
D613,232 S * 4/2010 Guering D12/345
D675,555 S * 2/2013 Ouellette D12/345
D727,904 S * 4/2015 Jensen D14/415
D734,335 S * 7/2015 Jensen D14/415
D734,750 S * 7/2015 Jensen D14/415
D745,008 S * 12/2015 Jensen D14/415
D745,009 S * 12/2015 Jensen D14/415
D758,949 S * 6/2016 Tran D12/345
D760,145 S * 6/2016 Kasparian D12/345
D769,178 S * 10/2016 Kasparian D12/345
D840,360 S * 2/2019 Scott D13/168
D844,514 S * 4/2019 Wagner D12/179
2017/0086933 A1 * 3/2017 Ogawa A61B 17/00
2018/0335853 A1 * 11/2018 Chiu G06F 3/038
2019/0038968 A1 * 2/2019 Machida G06F 3/016
2019/0041999 A1 * 2/2019 Hirata G06F 3/011

OTHER PUBLICATIONS

APEM XD Series Joysticks, online, post date Oct. 19, 2018, <URL:
<https://www.digikey.com/en/product-highlight/a/apem/xd-series-joysticks>>, retrieved Mar. 13, 2019.*

* cited by examiner



FIG. 1

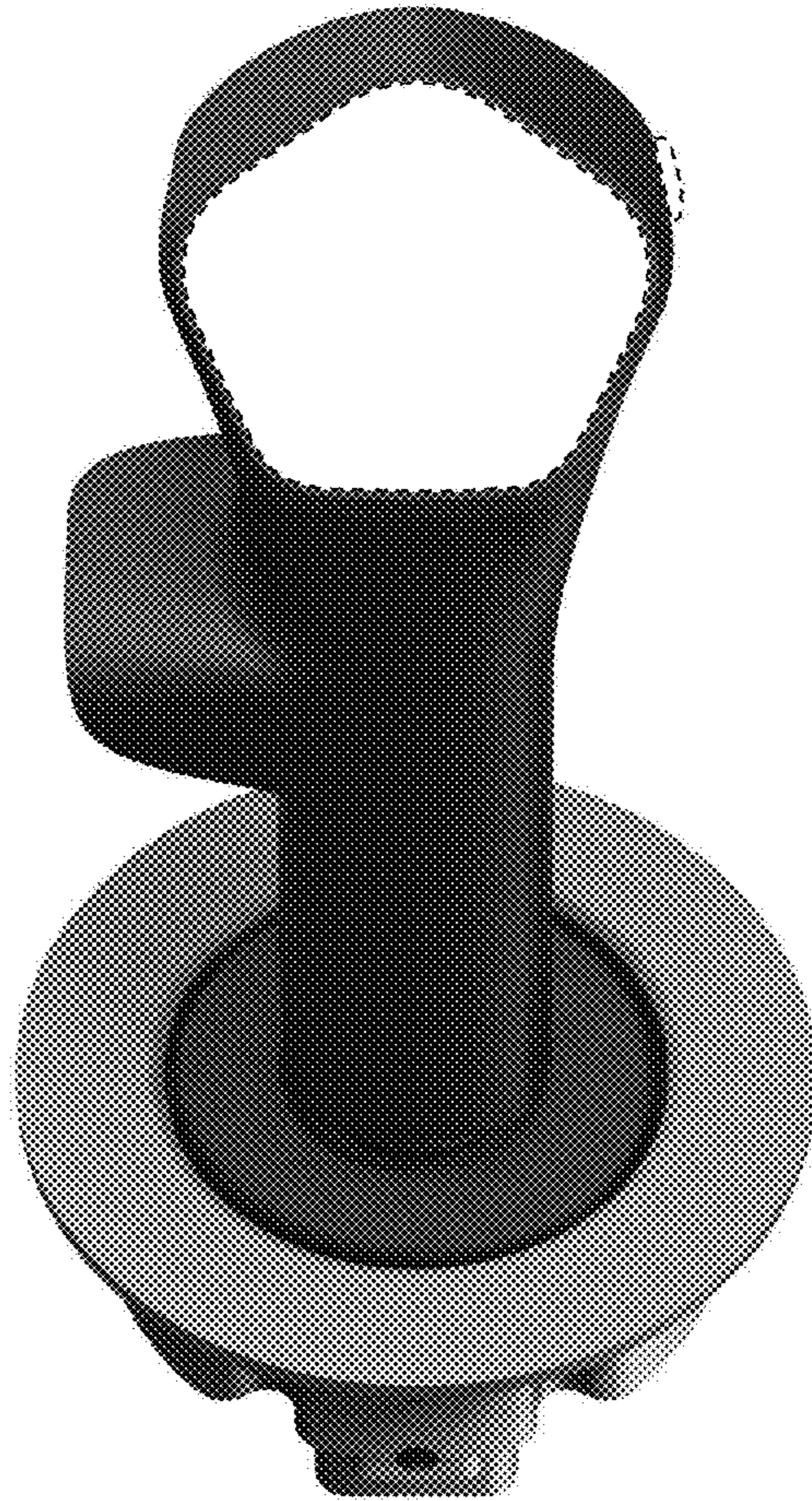


FIG. 2

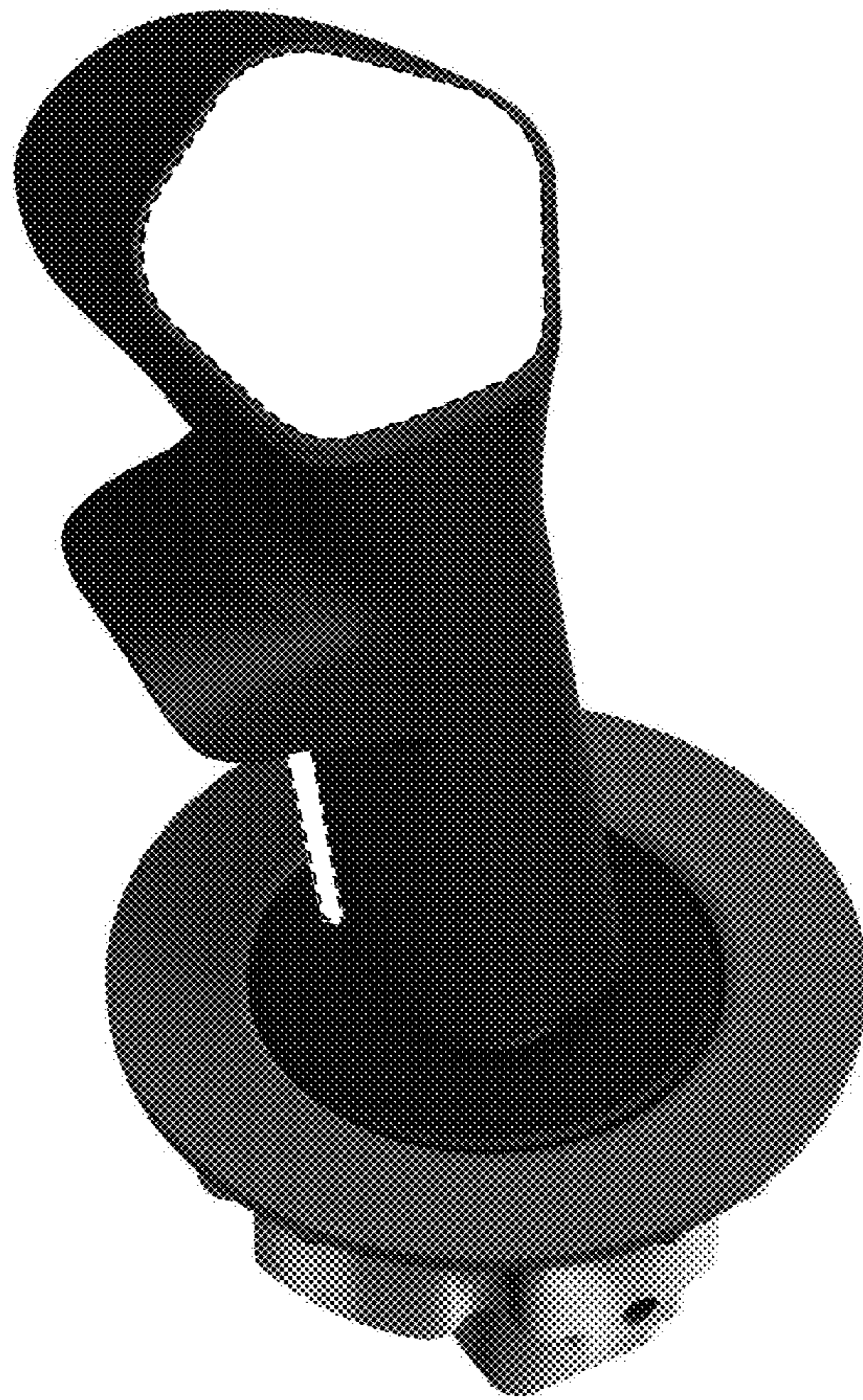


FIG. 3



FIG. 4

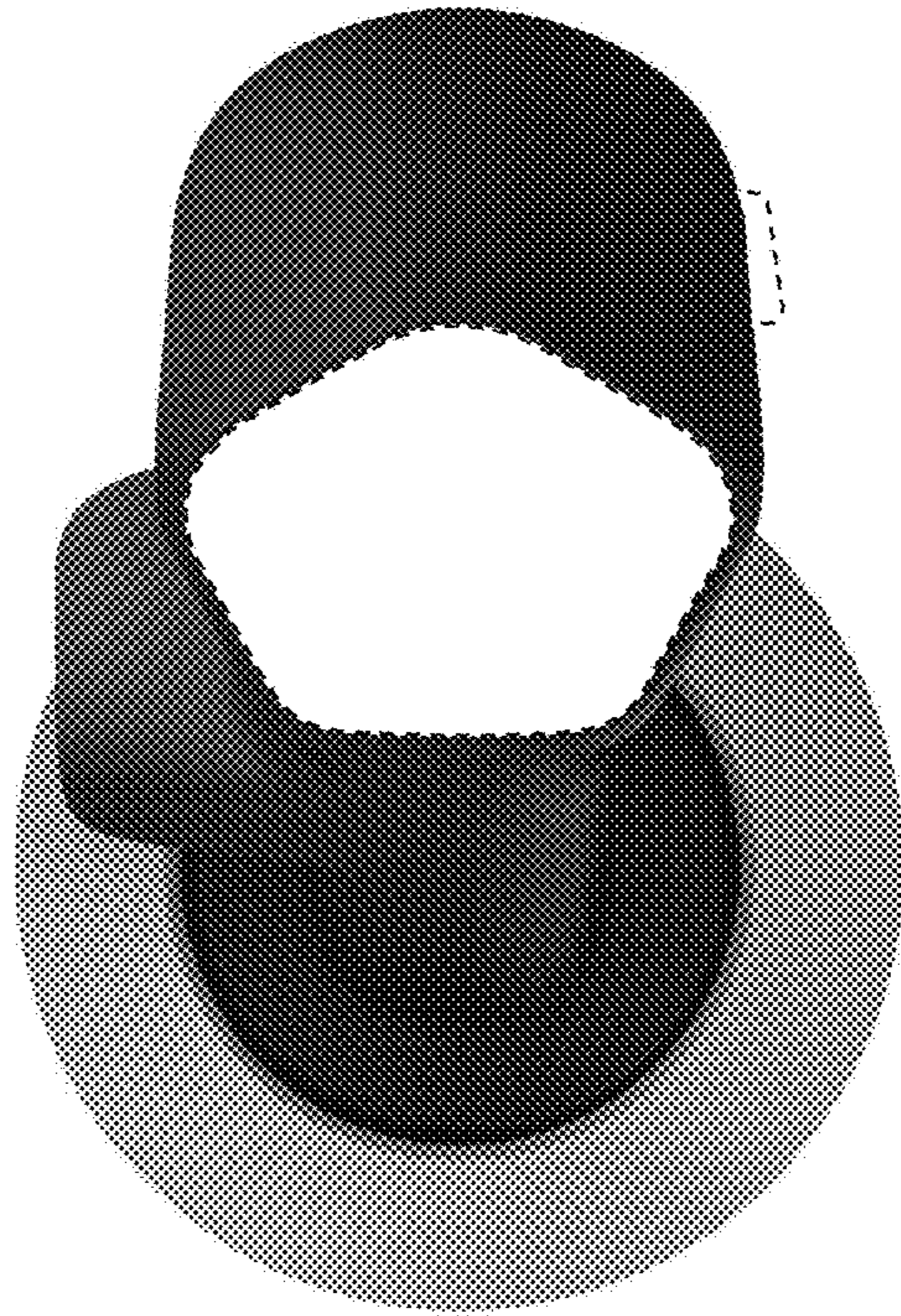


FIG. 5



FIG. 6



FIG. 7

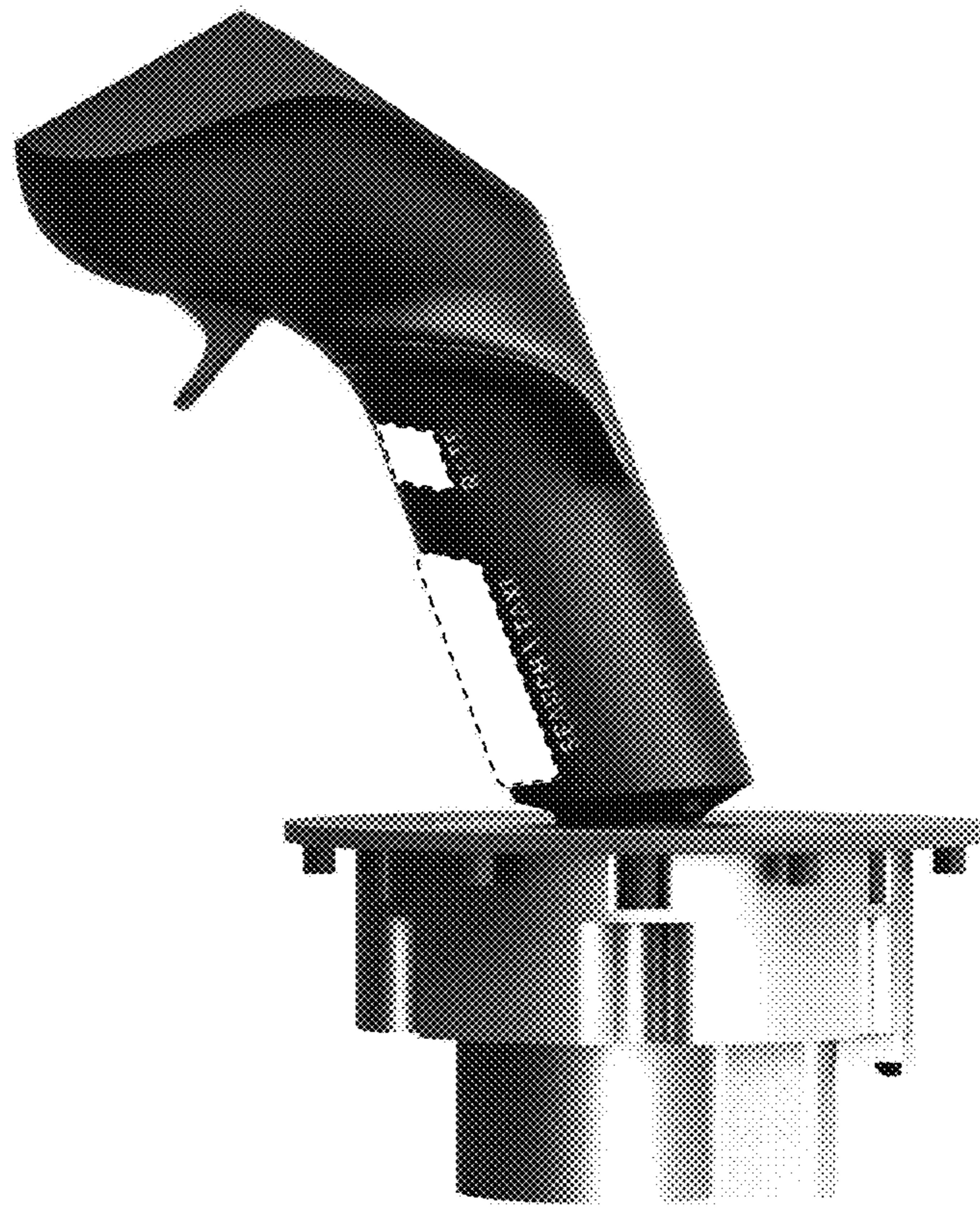


FIG. 8

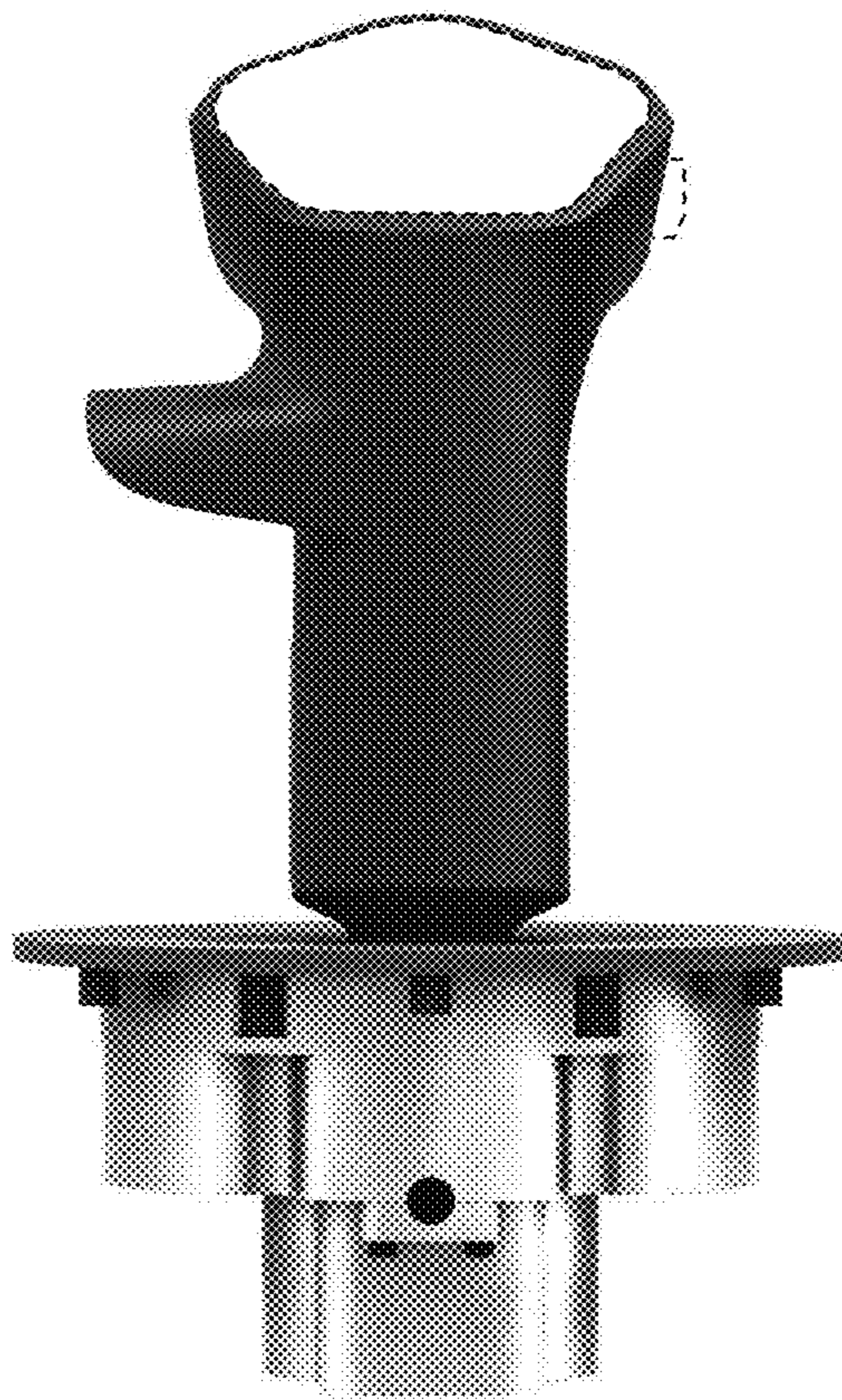


FIG. 9

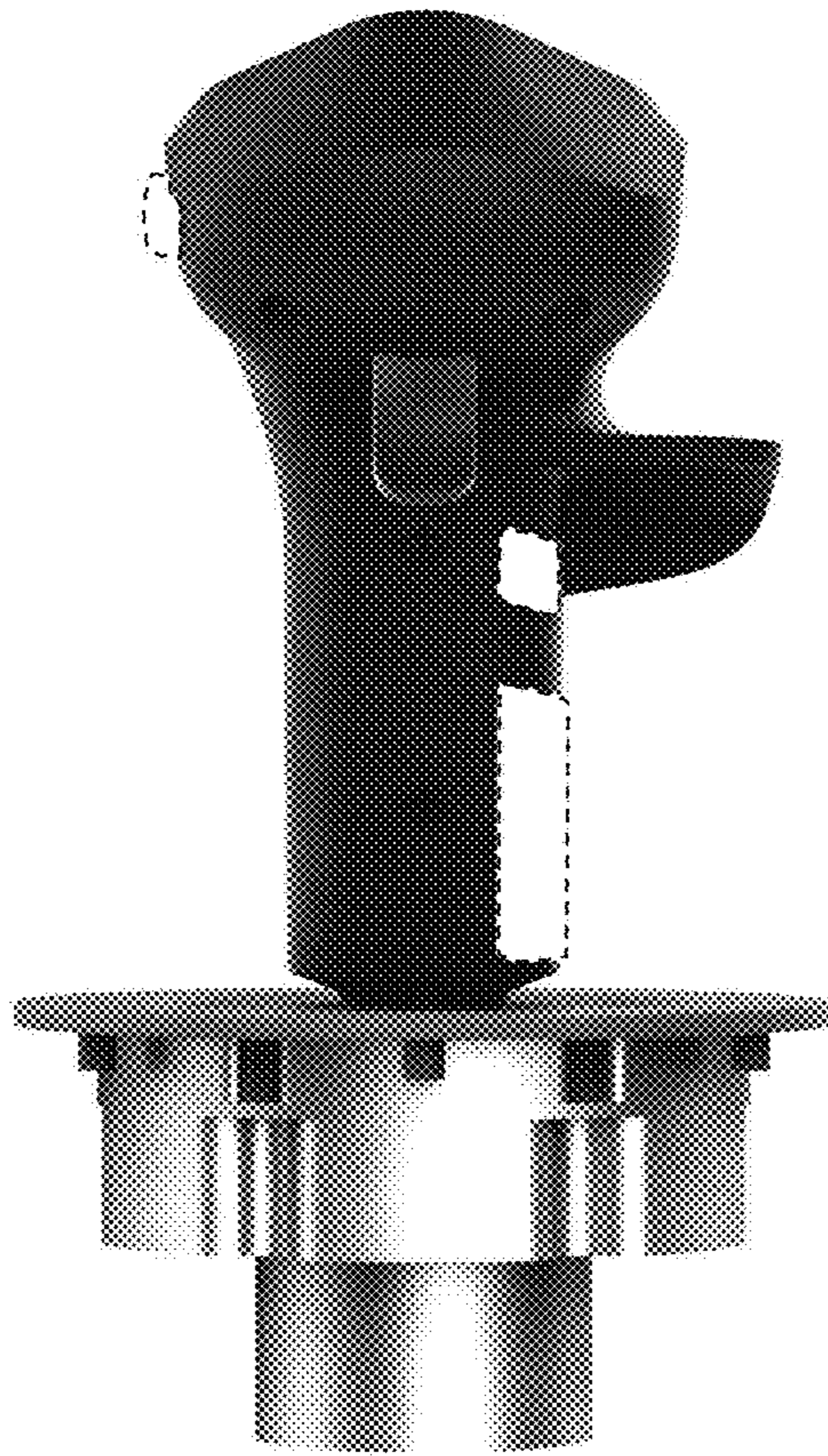


FIG. 10