



US00D865637S

(12) **United States Design Patent**
Zhang

(10) **Patent No.:** **US D865,637 S**

(45) **Date of Patent:** **** Nov. 5, 2019**

(54) **AIRCRAFT WITH CAMERA**

(71) Applicant: **AEE Aviation Technology Company**,
Shenzhen (CN)

(72) Inventor: **Xian-Zhi Zhang**, Shenzhen (CN)

(73) Assignee: **AEE Aviation Technology Company**,
Shenzhen (CN)

(**) Term: **15 Years**

(21) Appl. No.: **29/662,494**

(22) Filed: **Sep. 6, 2018**

(51) **LOC (12) Cl.** **12-06**

(52) **U.S. Cl.**
USPC **D12/328**; D12/16.1

(58) **Field of Classification Search**
USPC D12/1-4, 16.1, 319-345; D21/436-454
CPC B64C 39/024; B64C 13/16; B64C 19/00;
B64C 2201/021; B64C 2201/141; B60H
1/3442
See application file for complete search history.

(56) **References Cited**

U.S. PATENT DOCUMENTS

8,016,226	B1 *	9/2011	Wood	B64C 29/0033
					244/12.4
D708,272	S *	7/2014	Schmelter	D12/16.1
D795,787	S *	8/2017	Blanpain	D12/345
D798,192	S *	9/2017	Zhang	D12/16.1
9,823,089	B1 *	11/2017	Wilcox	G01C 25/00
D809,969	S *	2/2018	Zhang	D12/16.1
D811,264	S *	2/2018	Zhang	D12/16.1
9,889,930	B2 *	2/2018	Welsh	B64C 39/024
9,963,228	B2 *	5/2018	McCullough	B64C 29/0033
10,035,589	B2 *	7/2018	Zhang	B64C 27/08
10,099,778	B2 *	10/2018	Sugaki	B64C 25/34
10,101,443	B1 *	10/2018	LeGrand, III	G01S 11/14
10,203,692	B2 *	2/2019	Smith	G05D 1/0094

D843,890	S *	3/2019	Yang	D12/16.1
D847,020	S *	4/2019	Kim	D12/16.1
10,343,773	B1 *	7/2019	McCullough	B64C 29/02
2007/0105474	A1 *	5/2007	Gotou	A63H 27/02
					446/37
2016/0286128	A1 *	9/2016	Zhou	H04N 5/23248
2016/0291445	A1 *	10/2016	Fisher, Sr.	G03B 15/006
2016/0340021	A1 *	11/2016	Zhang	B64C 27/08
2017/0152060	A1 *	6/2017	Morisawa	B64C 27/08
2017/0341776	A1 *	11/2017	McClure	B64D 47/08
2018/0164819	A1 *	6/2018	Zhang	B64F 5/60
2018/0208070	A1 *	7/2018	Sanchez	G05D 1/042
2018/0217614	A1 *	8/2018	Salas-Moreno	B64C 39/024

* cited by examiner

Primary Examiner — Marissa J Cash

(74) *Attorney, Agent, or Firm* — ScienBiziP, P.C.

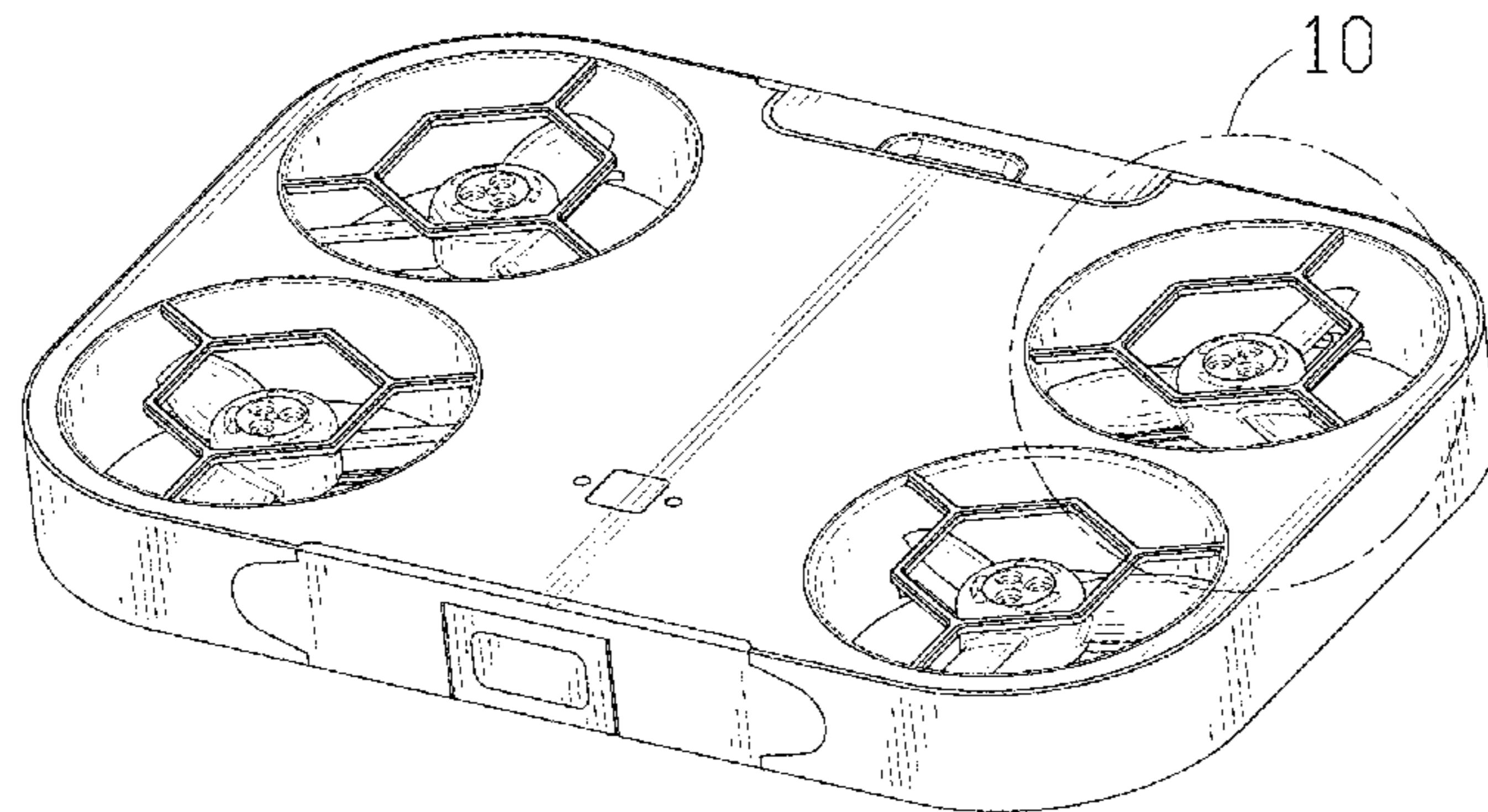
(57) **CLAIM**

The ornamental design for an aircraft with camera, as shown and described.

DESCRIPTION

FIG. 1 is a first, front perspective view of an aircraft with camera, in a state in which a camera is in a closed/protected position;
 FIG. 2 is a rear perspective view thereof;
 FIG. 3 is a front elevational view thereof;
 FIG. 4 is a rear elevational view thereof;
 FIG. 5 is a left side elevational view thereof;
 FIG. 6 is a right side elevational view thereof;
 FIG. 7 is a top plan view thereof;
 FIG. 8 is a bottom plan view thereof;
 FIG. 9 is a second front perspective view thereof, in a state in which the camera is in an open position;
 FIG. 10 is an enlarged view of the portion 10 of FIG. 1; and,
 FIG. 11 is an enlarged view of the portion 11 of FIG. 2.
 The broken lines illustrate portions of the aircraft with camera that form no part of the claimed design.

1 Claim, 11 Drawing Sheets



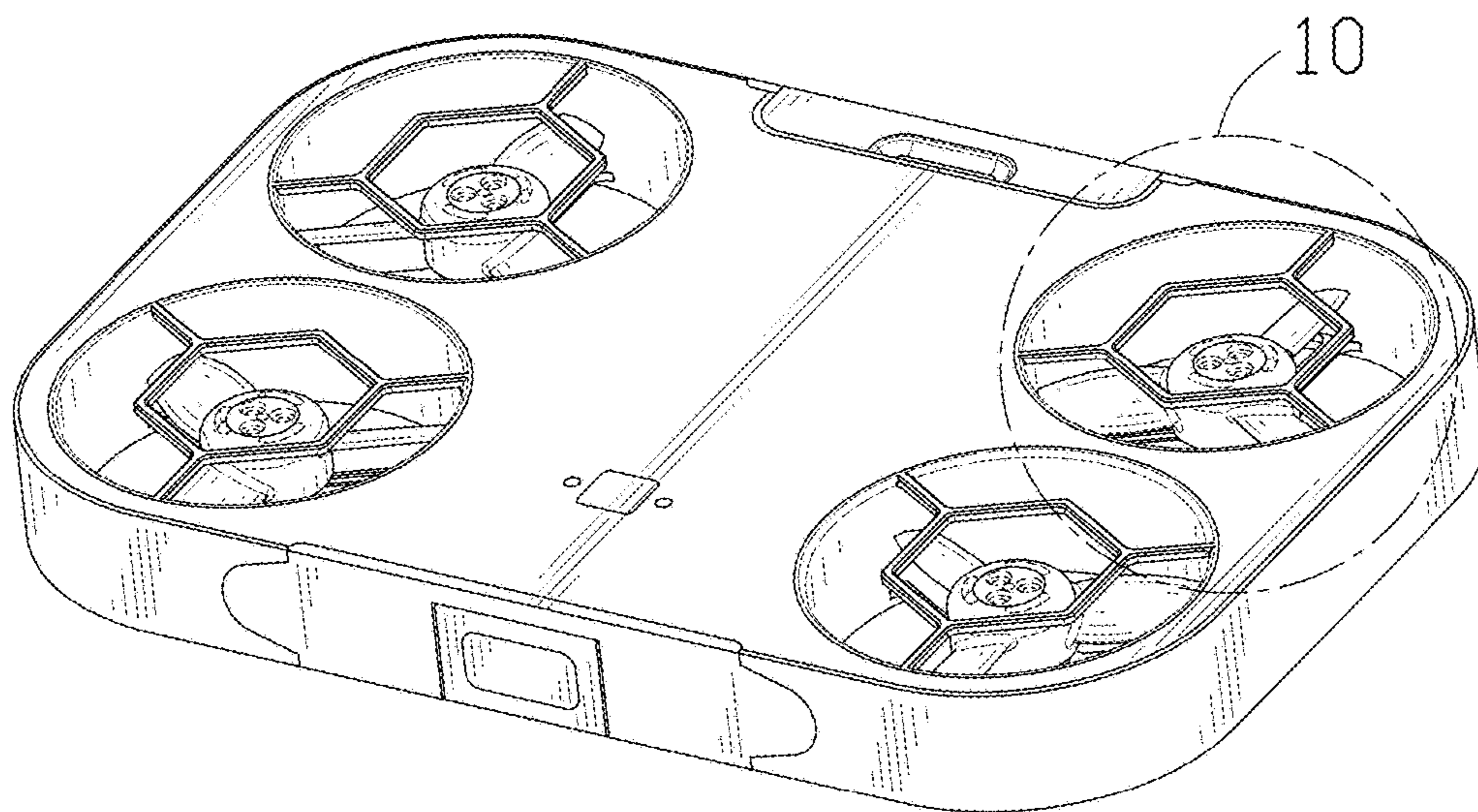


FIG. 1

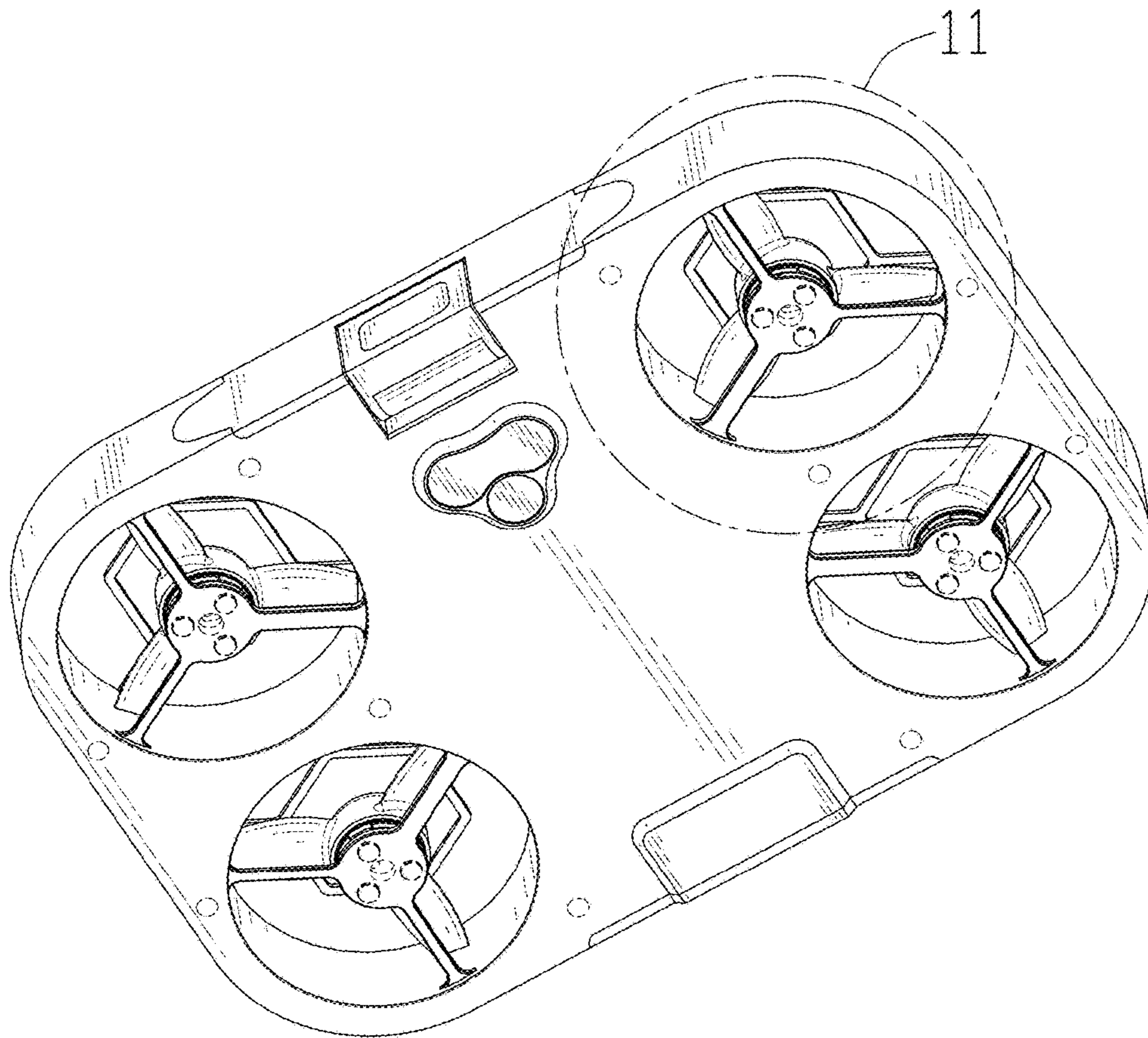


FIG. 2

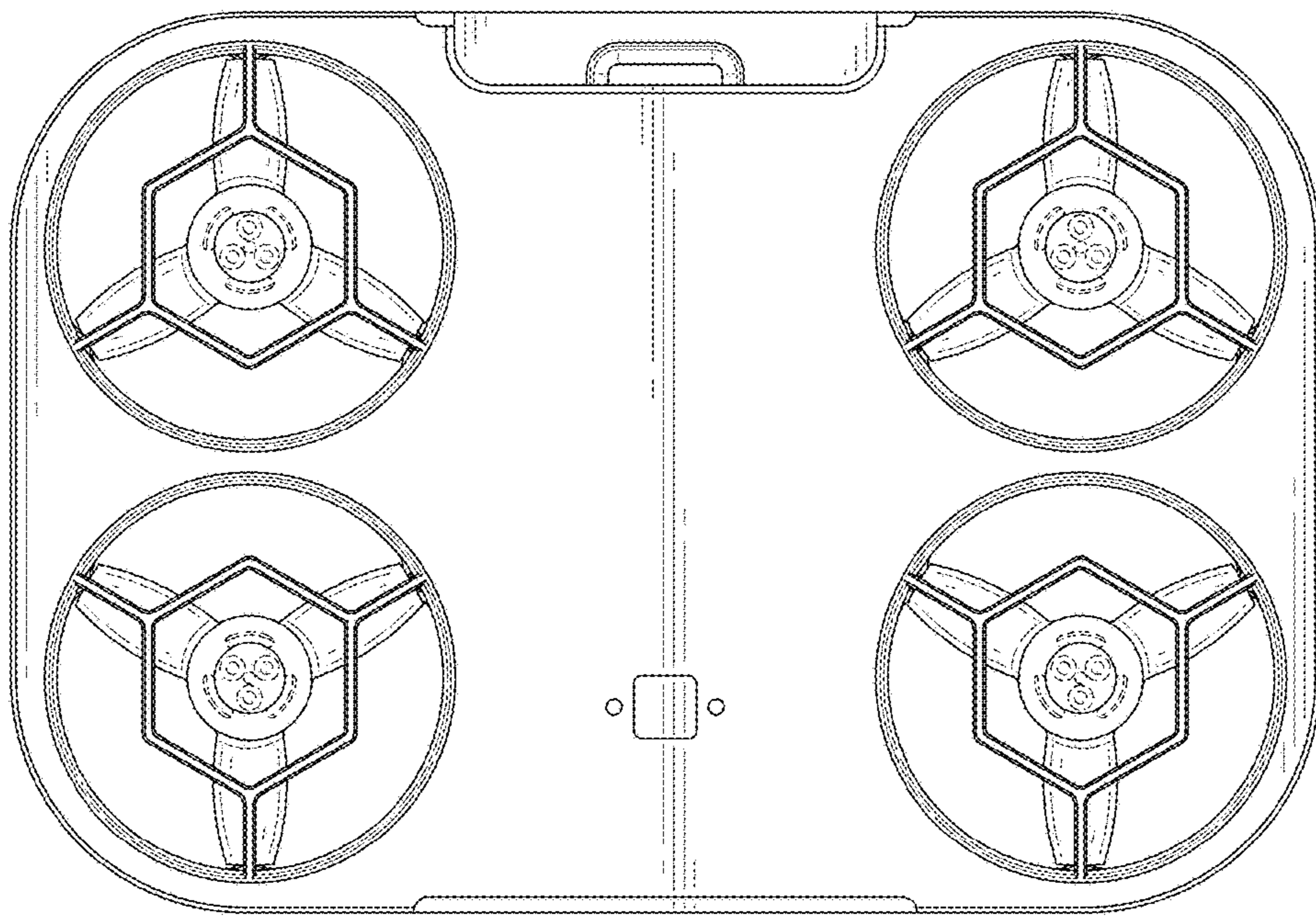


FIG. 3

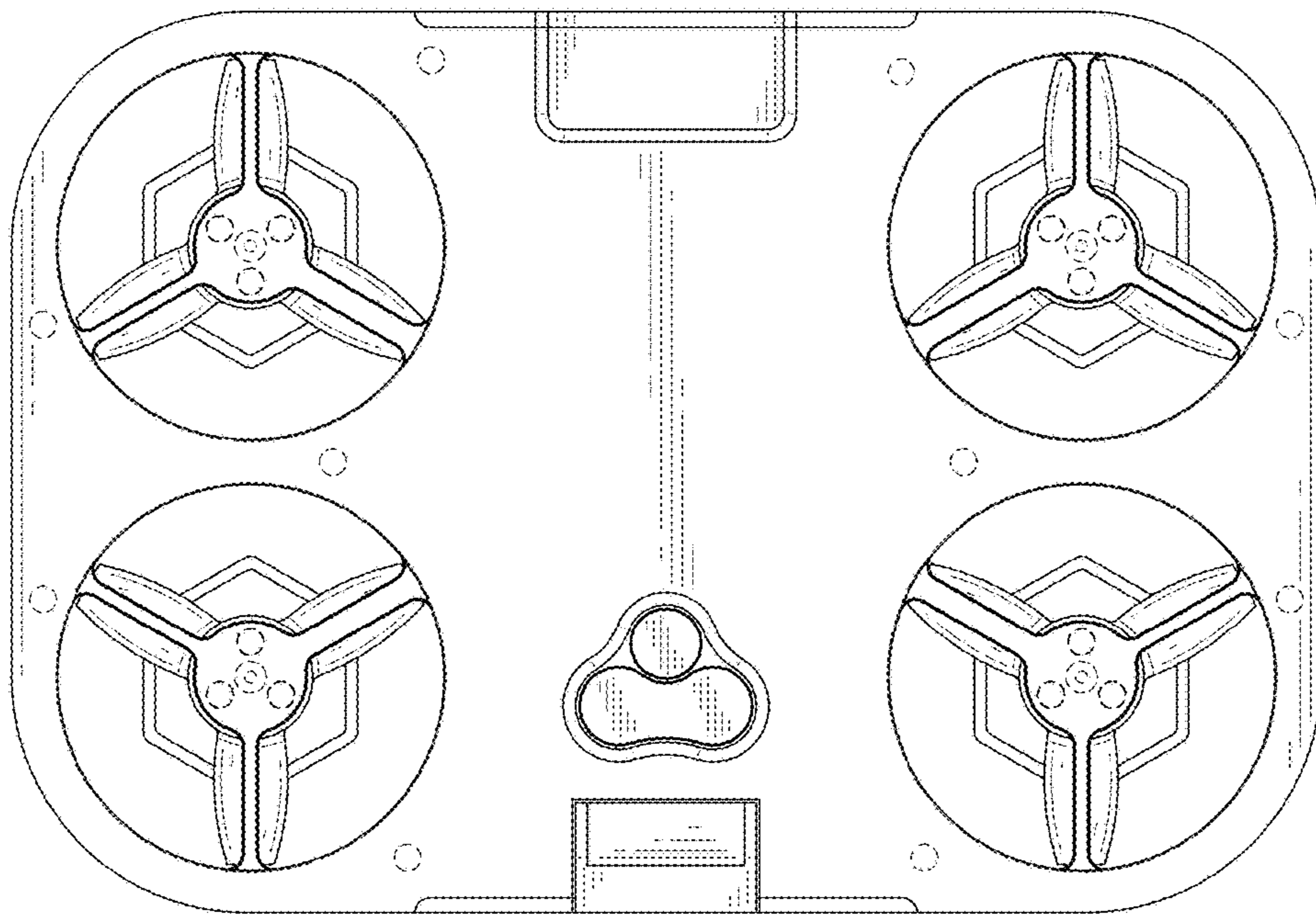


FIG. 4

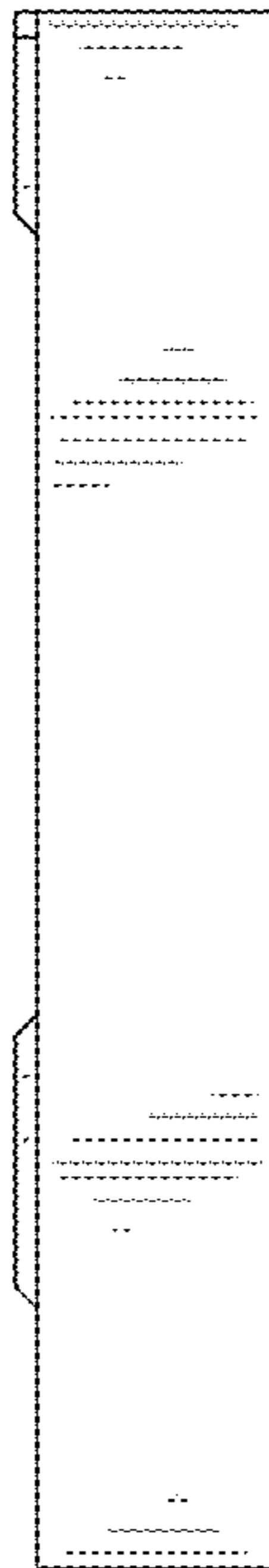


FIG. 5

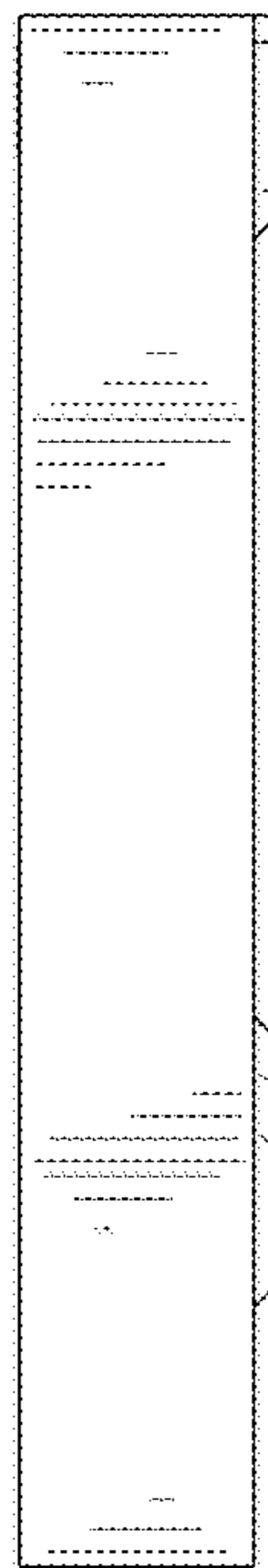


FIG. 6

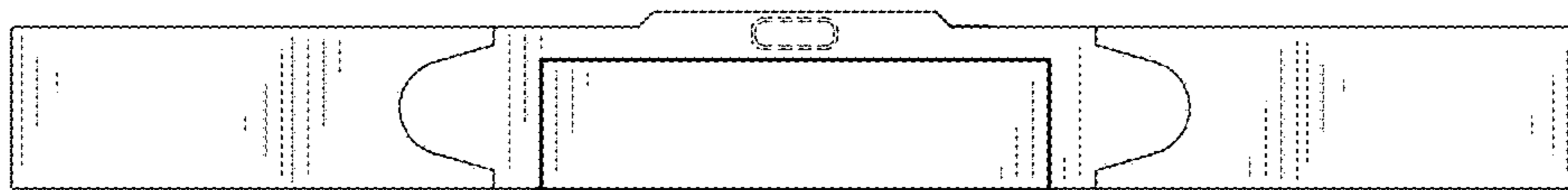


FIG. 7

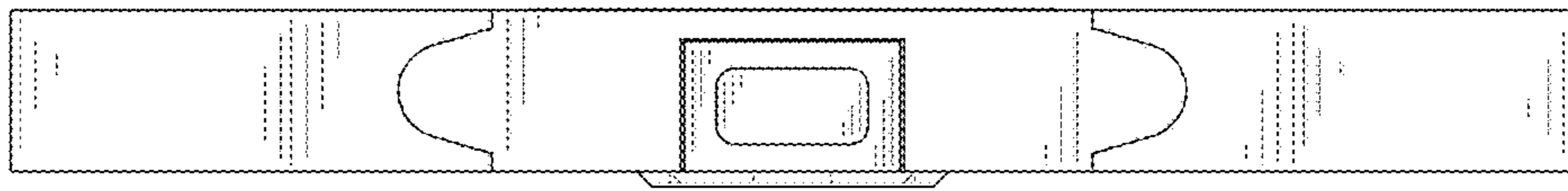


FIG. 8

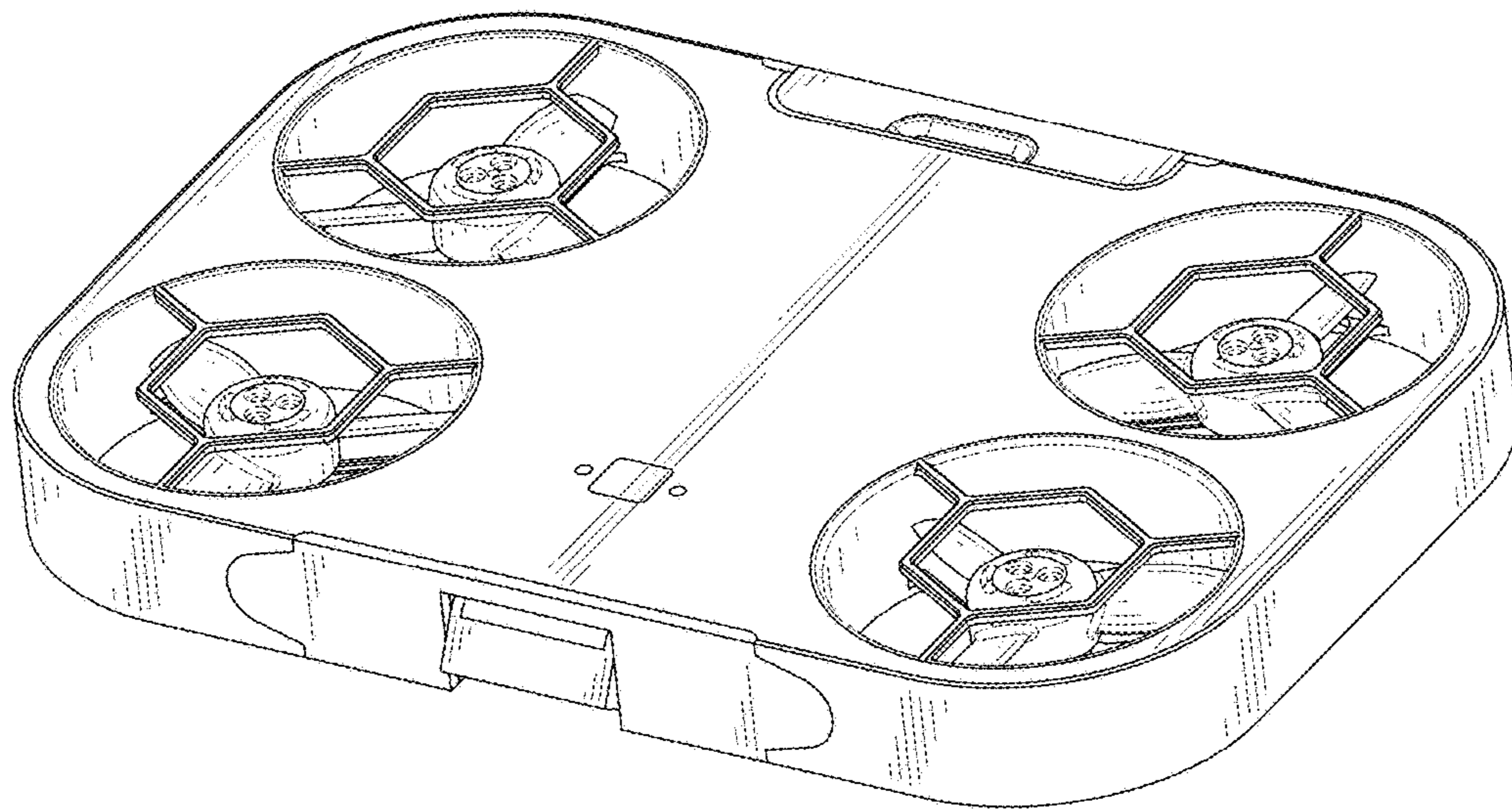


FIG. 9

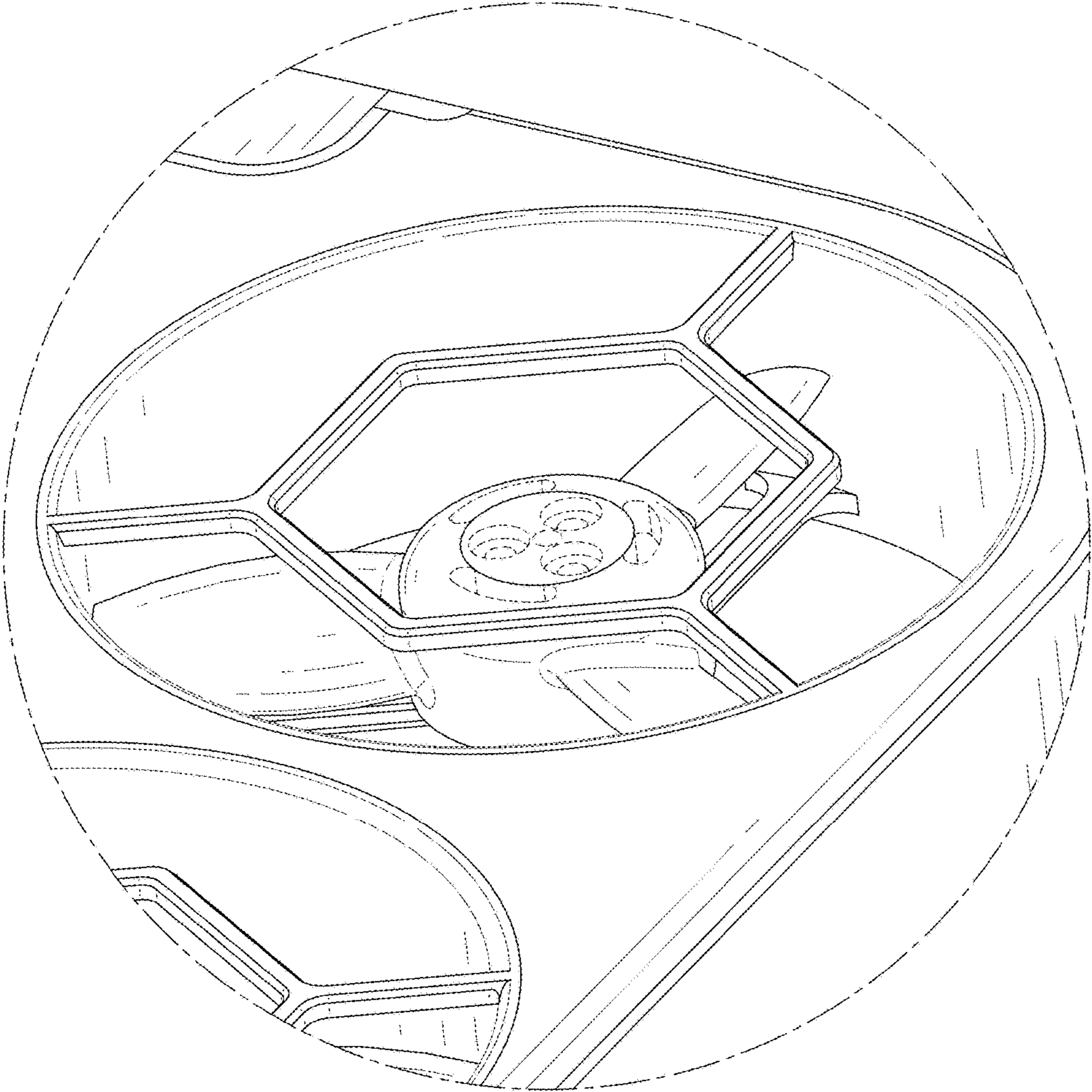


FIG. 10

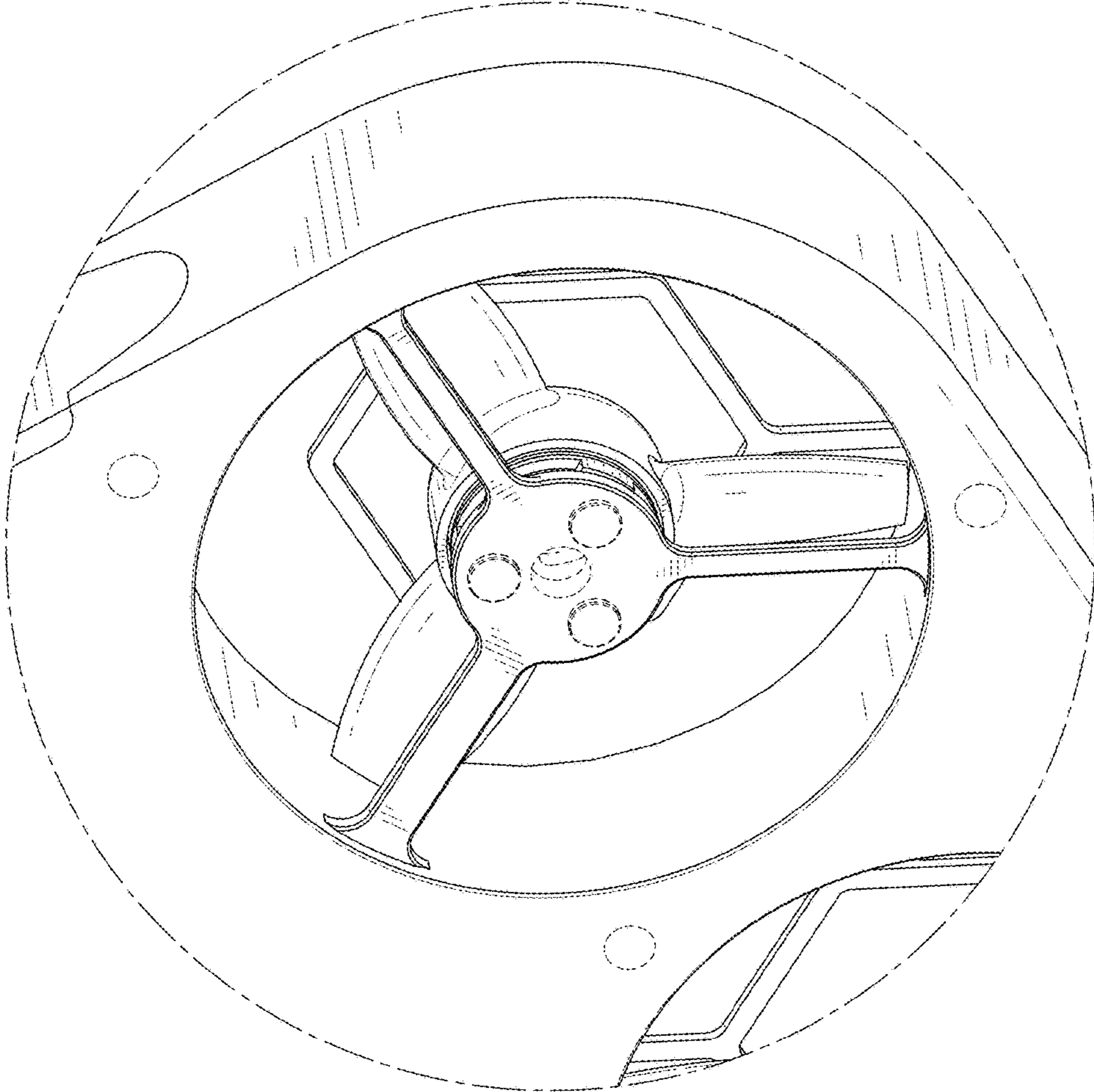


FIG. 11