



US00D865635S

(12) **United States Design Patent**
Westerman

(10) **Patent No.:** **US D865,635 S**

(45) **Date of Patent:** **** Nov. 5, 2019**

(54) **RAFT**

(71) Applicant: **icross flyfishing AB**, Skellefteå (SE)

(72) Inventor: **Adam Westerman**, Skellefteå (SE)

(73) Assignee: **icross flyfishing AB**, Skellefteå (SE)

(**) Term: **15 Years**

(21) Appl. No.: **29/615,258**

(22) Filed: **Aug. 28, 2017**

(30) **Foreign Application Priority Data**

Feb. 27, 2017 (EM) 3770239-0001-0002

(51) **LOC (12) Cl.** **12-06**

(52) **U.S. Cl.**
USPC **D12/316; D21/801**

(58) **Field of Classification Search**
USPC D12/316; D21/801, 802, 803, 809, 810
CPC B63B 35/58; B63B 35/607; B63B 35/613;
B63B 35/62; B63B 38/00; B63B 7/08;
B63C 2009/042
See application file for complete search history.

(56) **References Cited**

U.S. PATENT DOCUMENTS

4,942,839 A * 7/1990 Chuan B63B 7/08
114/125
D393,683 S * 4/1998 Song D12/316
D481,437 S * 10/2003 Peterson D21/803
D486,877 S * 2/2004 Peterson D21/809
D487,129 S * 2/2004 Peterson D21/803

D496,086 S * 9/2004 Peterson D21/770
D531,251 S * 10/2006 Peterson D21/809
D580,005 S * 11/2008 Peterson D21/803

* cited by examiner

Primary Examiner — Cynthia M. Chin

(74) *Attorney, Agent, or Firm* — Marshall, Gerstein & Borun LLP

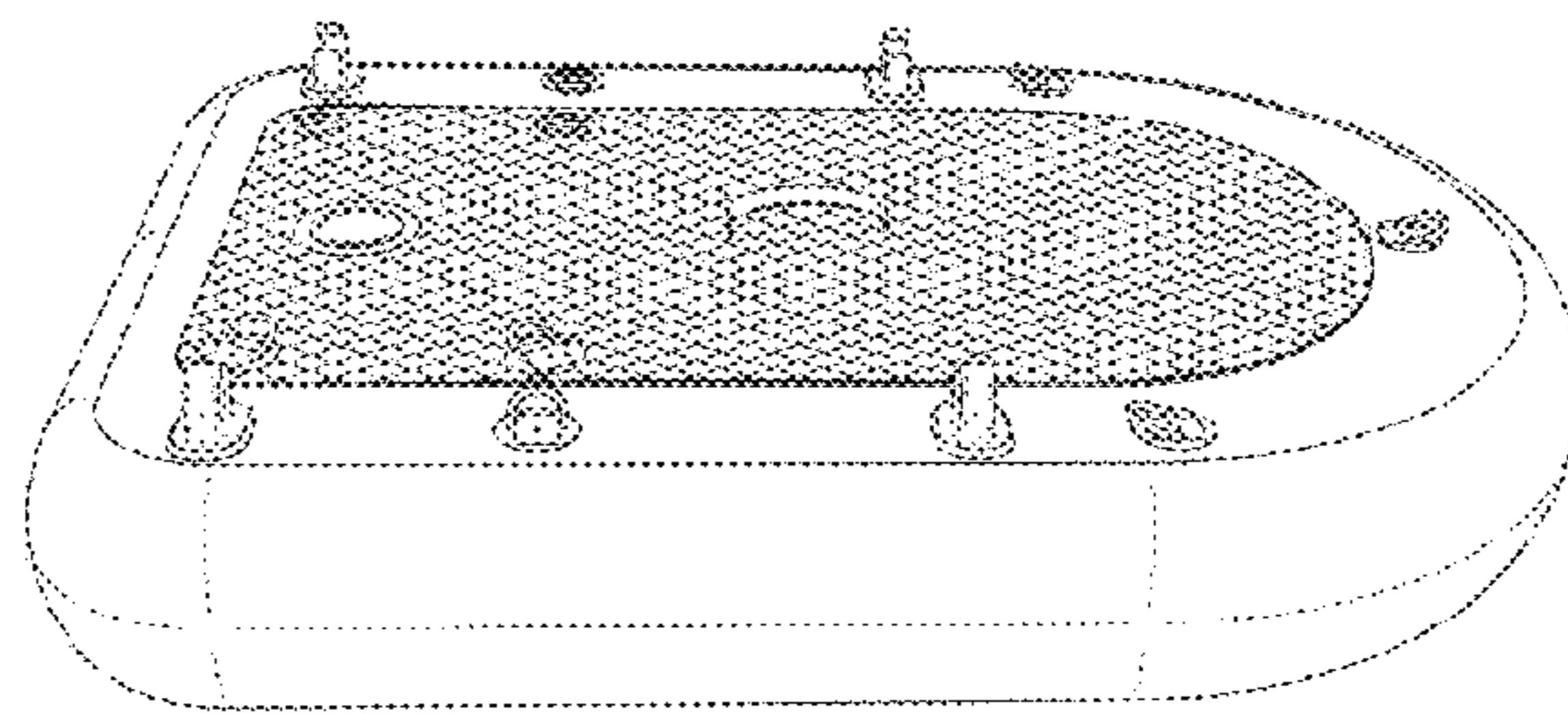
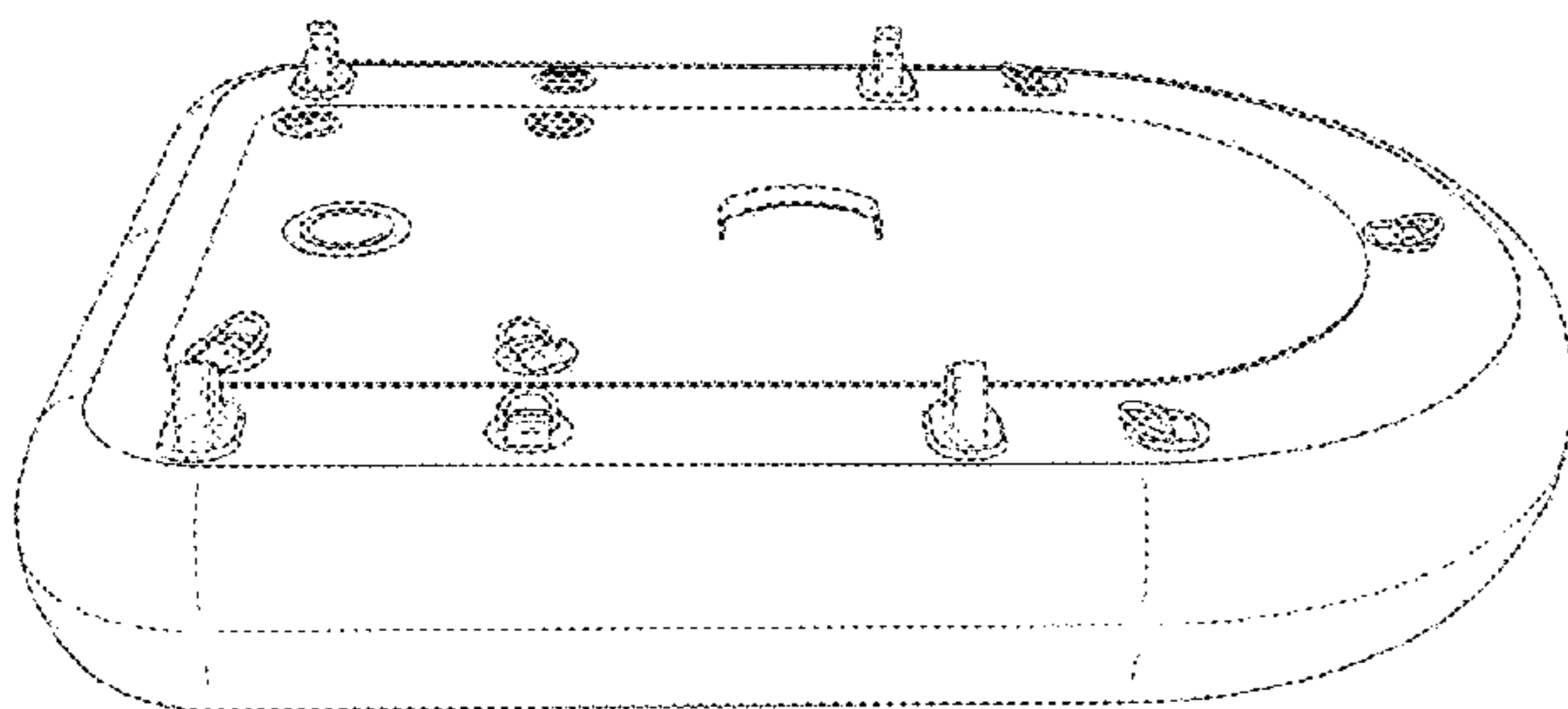
(57) **CLAIM**

The ornamental design for a raft, as shown and described.

DESCRIPTION

FIG. 1 is a top, right perspective view of a raft of a first embodiment of the present invention;
FIG. 2 is a top, rear perspective view of the raft of FIG. 1;
FIG. 3 is a front, bottom perspective view of the raft of FIG. 1;
FIG. 4 is a right side view of the raft of FIG. 1, the left side view being a mirror image thereof;
FIG. 5 is a rear elevation view of the raft of FIG. 1;
FIG. 6 is a front elevation view of the raft of FIG. 1;
FIG. 7 is a top, right perspective view of a raft of a second embodiment of the present invention;
FIG. 8 is a top, rear perspective view of the raft of FIG. 7;
FIG. 9 is a front, bottom perspective view of the raft of FIG. 7;
FIG. 10 is a right side view of the raft of FIG. 7, the left side view being a mirror image thereof;
FIG. 11 is a rear elevation view of the raft of FIG. 7; and,
FIG. 12 is a front elevation view of the raft of FIG. 7.

1 Claim, 12 Drawing Sheets



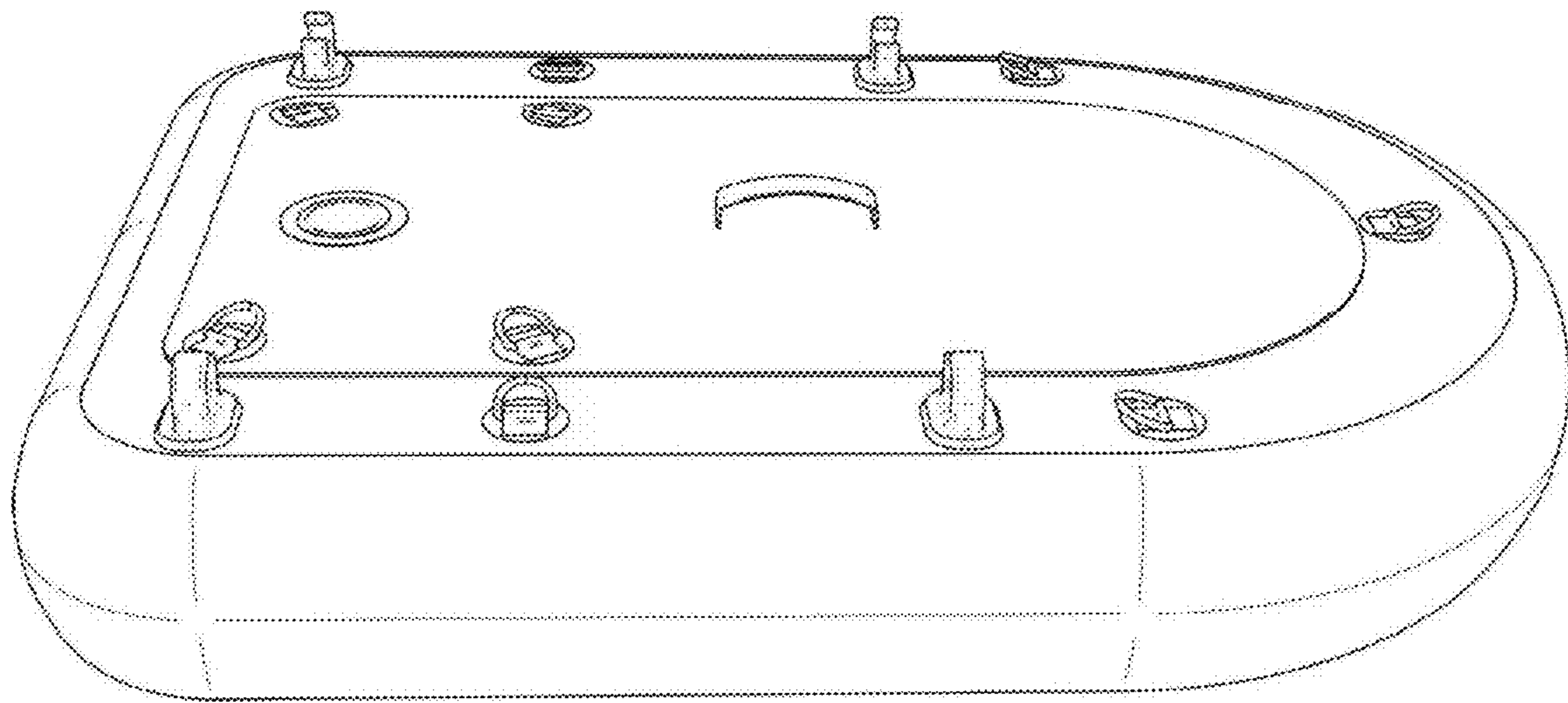


FIG. 1

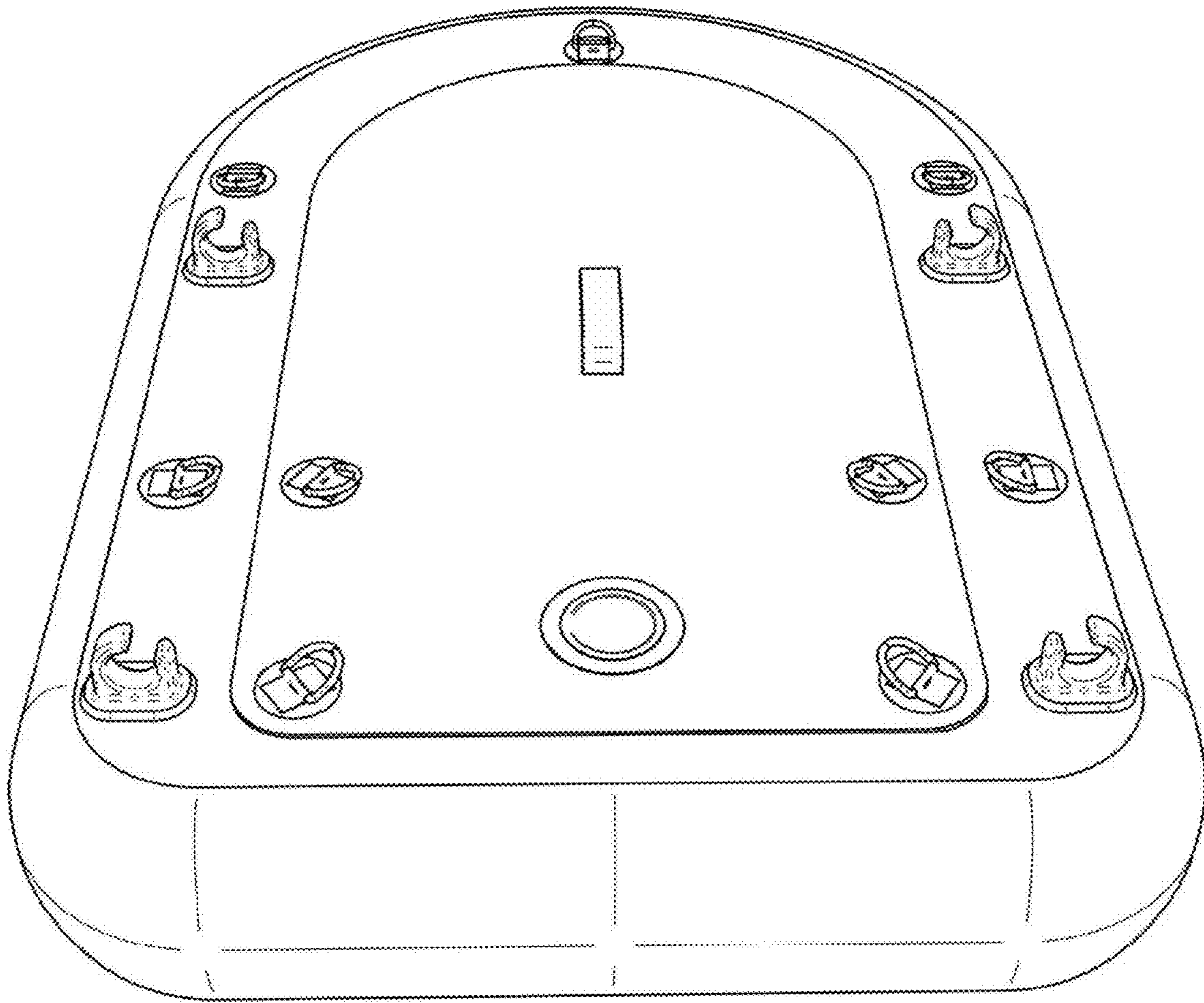


FIG. 2

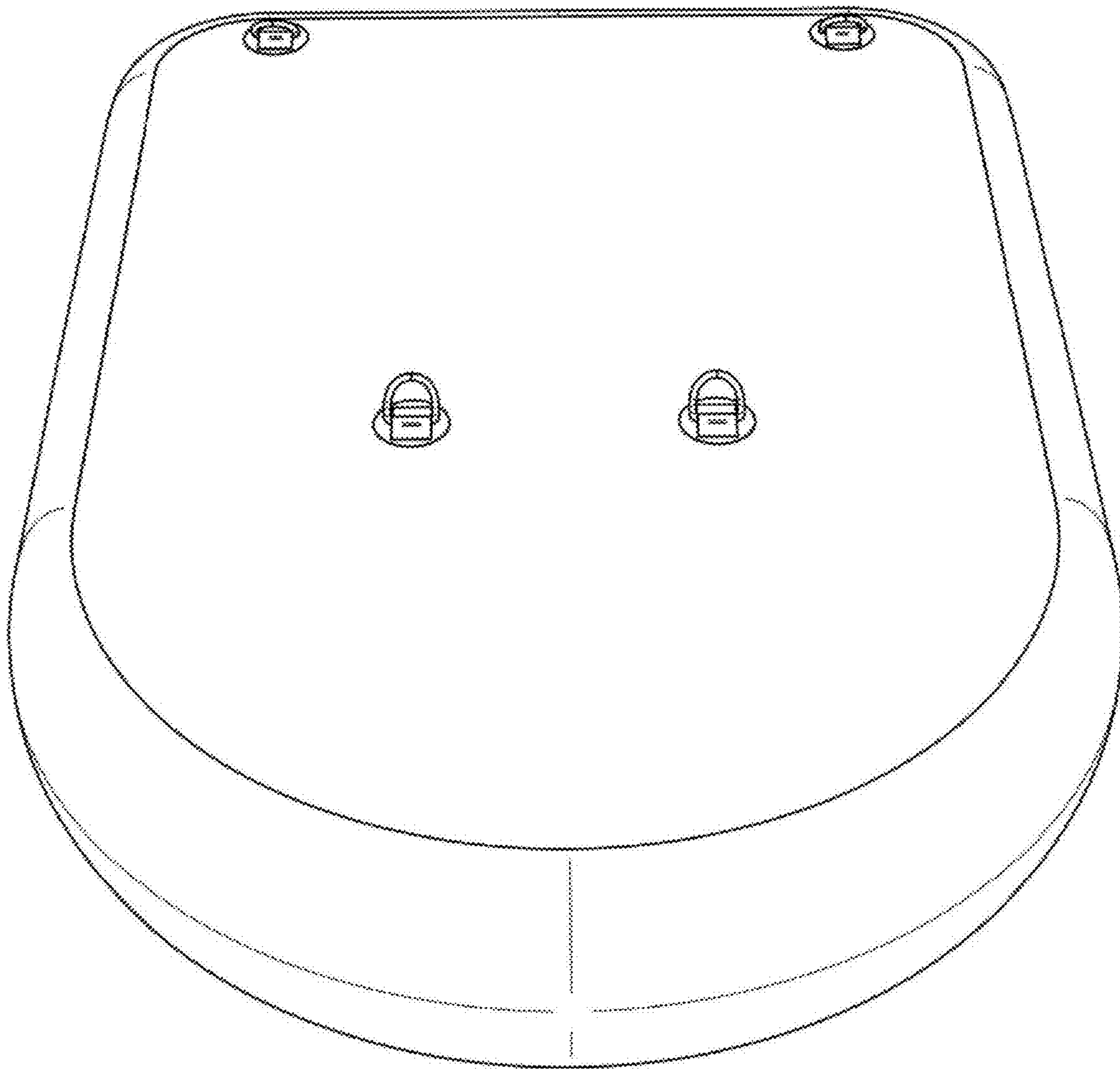


FIG. 3

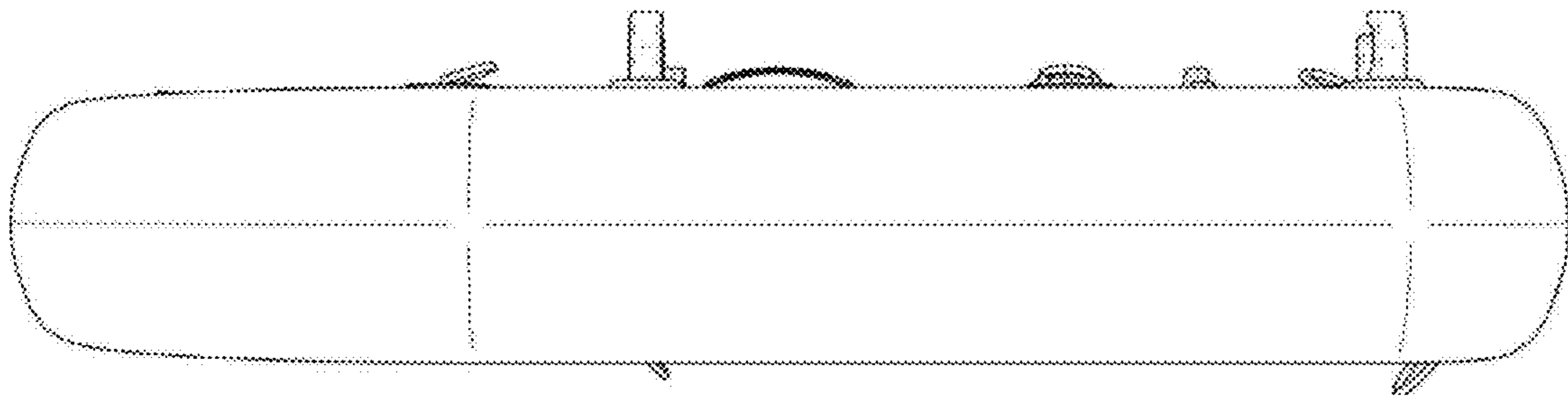


FIG. 4

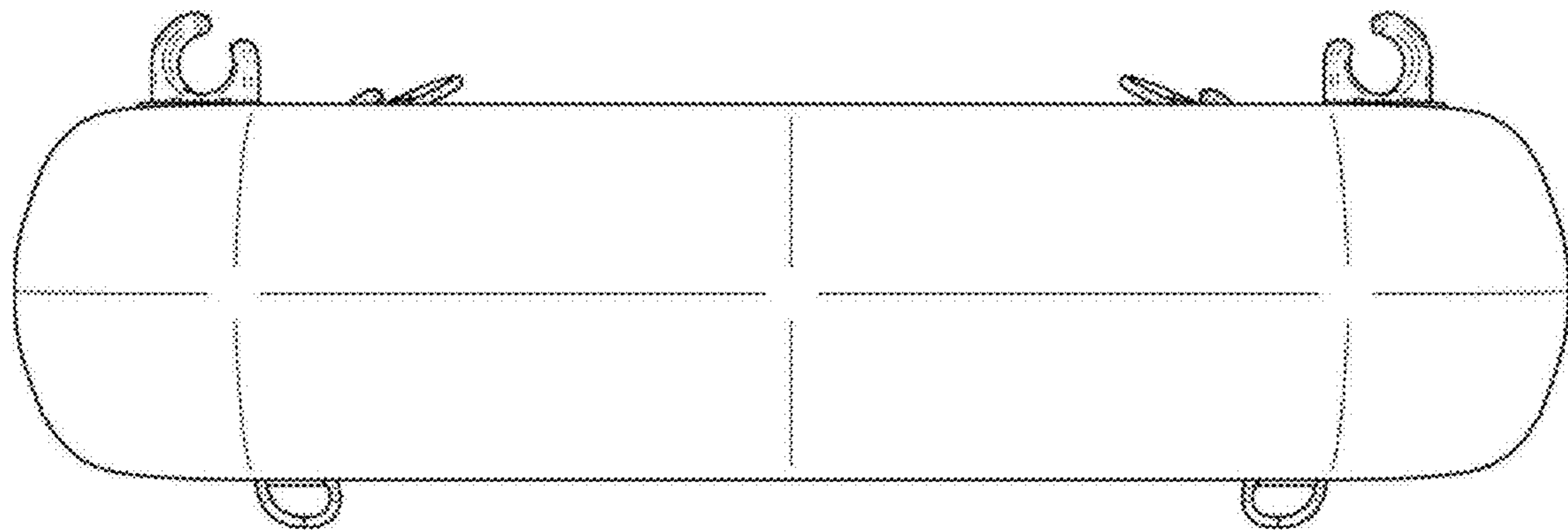


FIG. 5

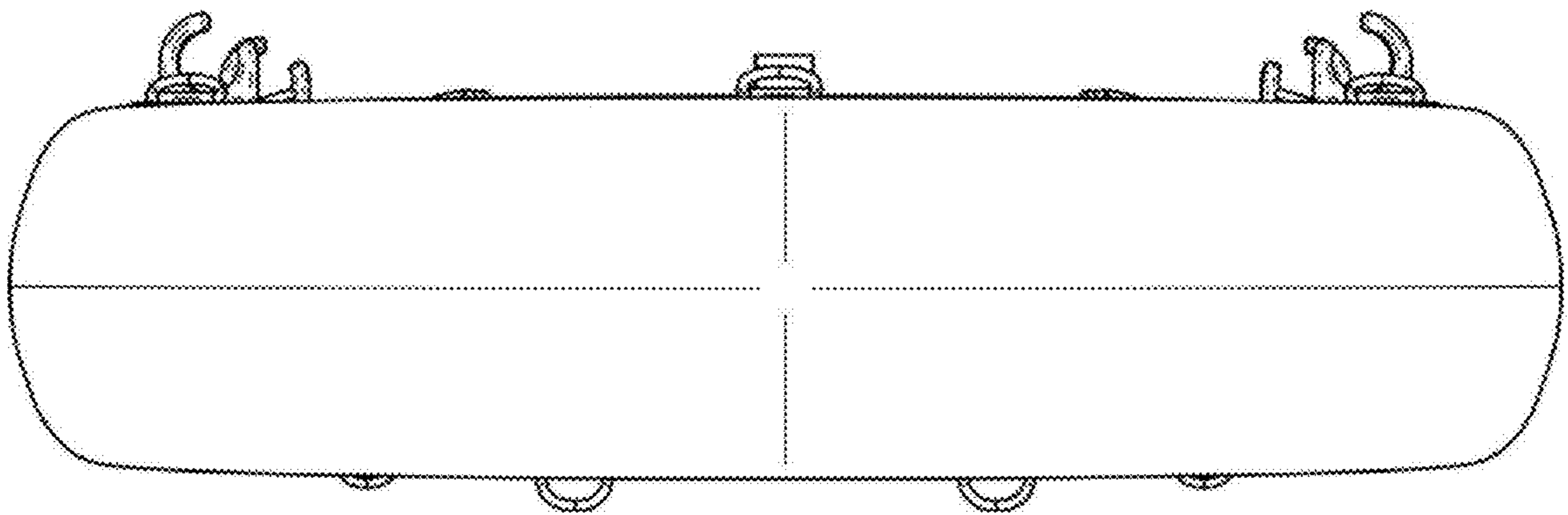


FIG. 6

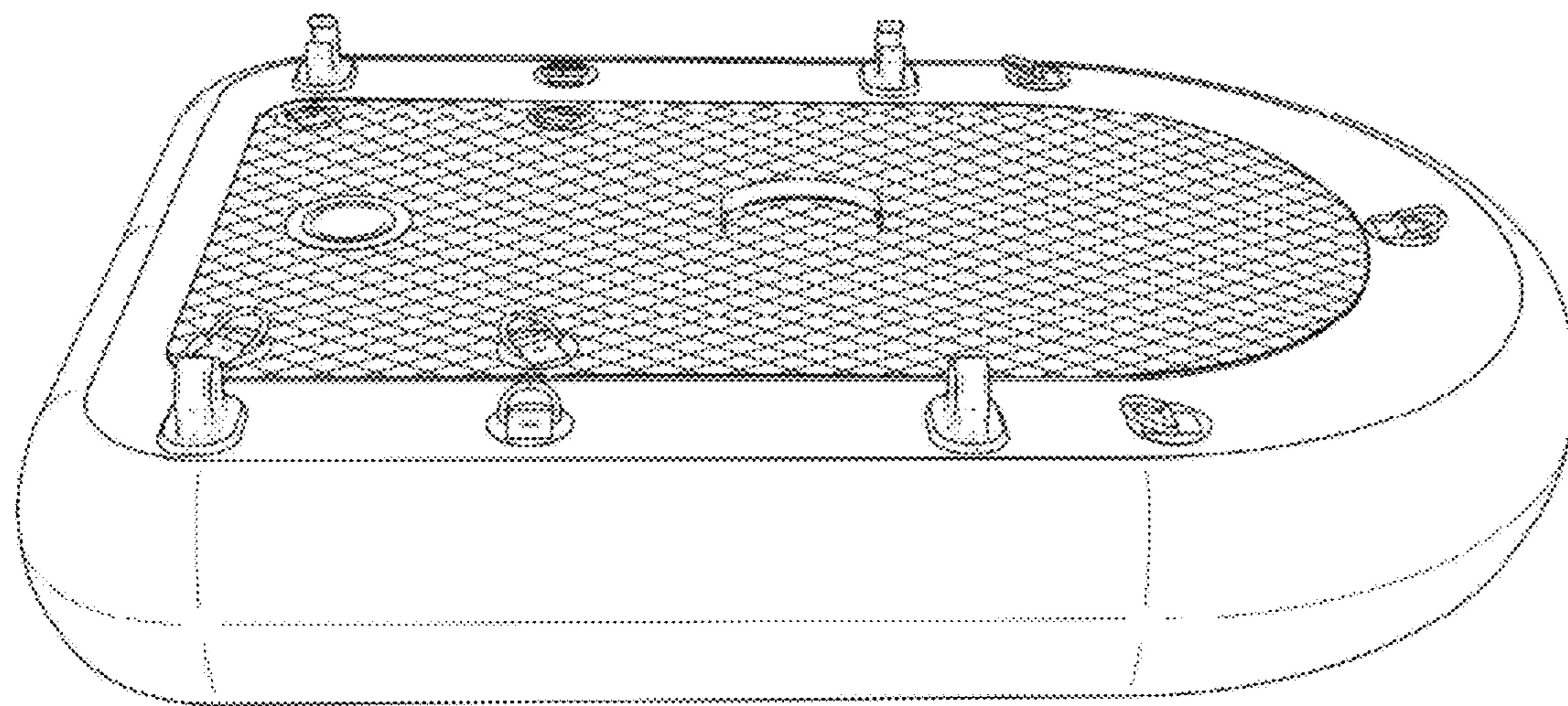


FIG. 7

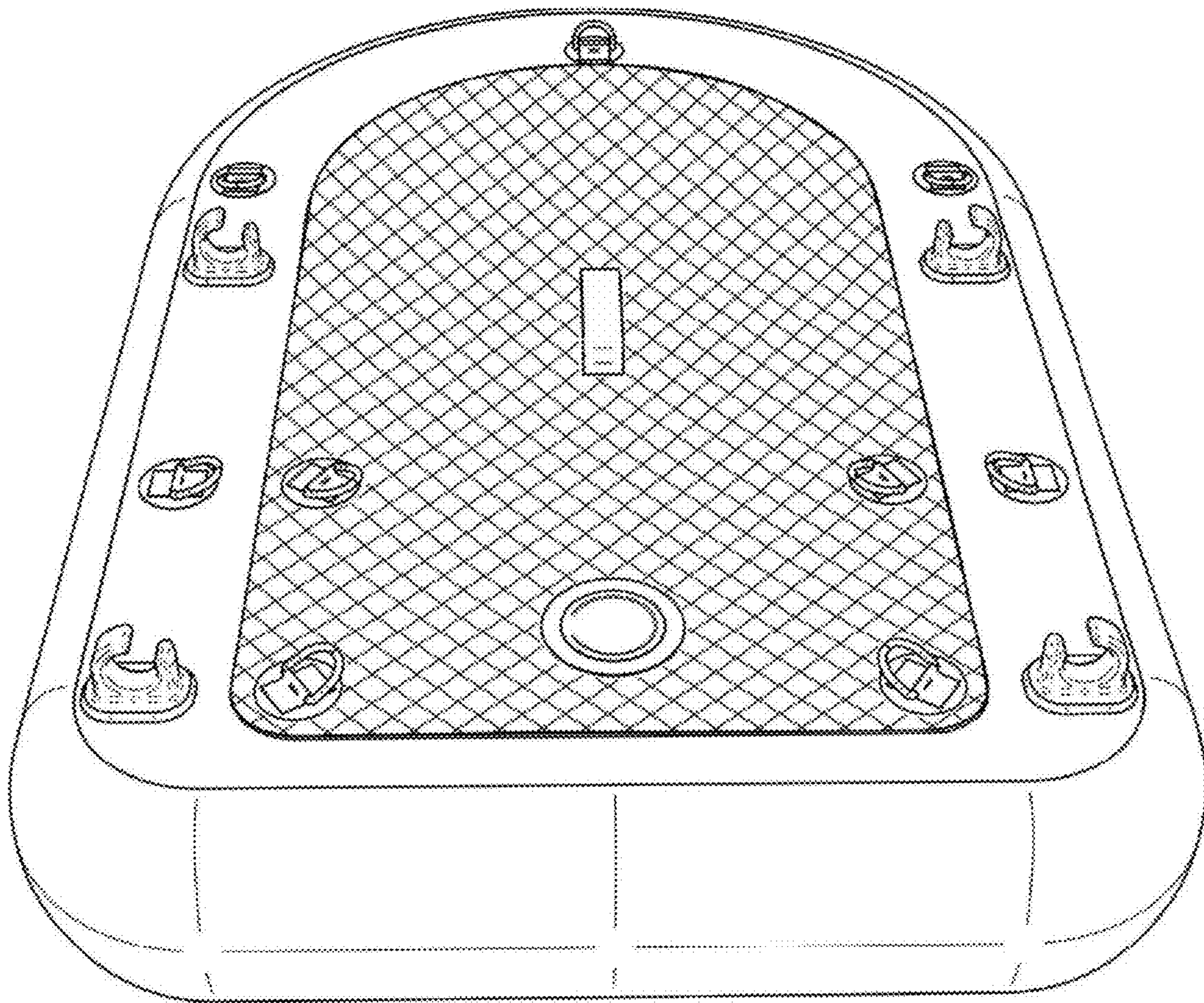


FIG. 8

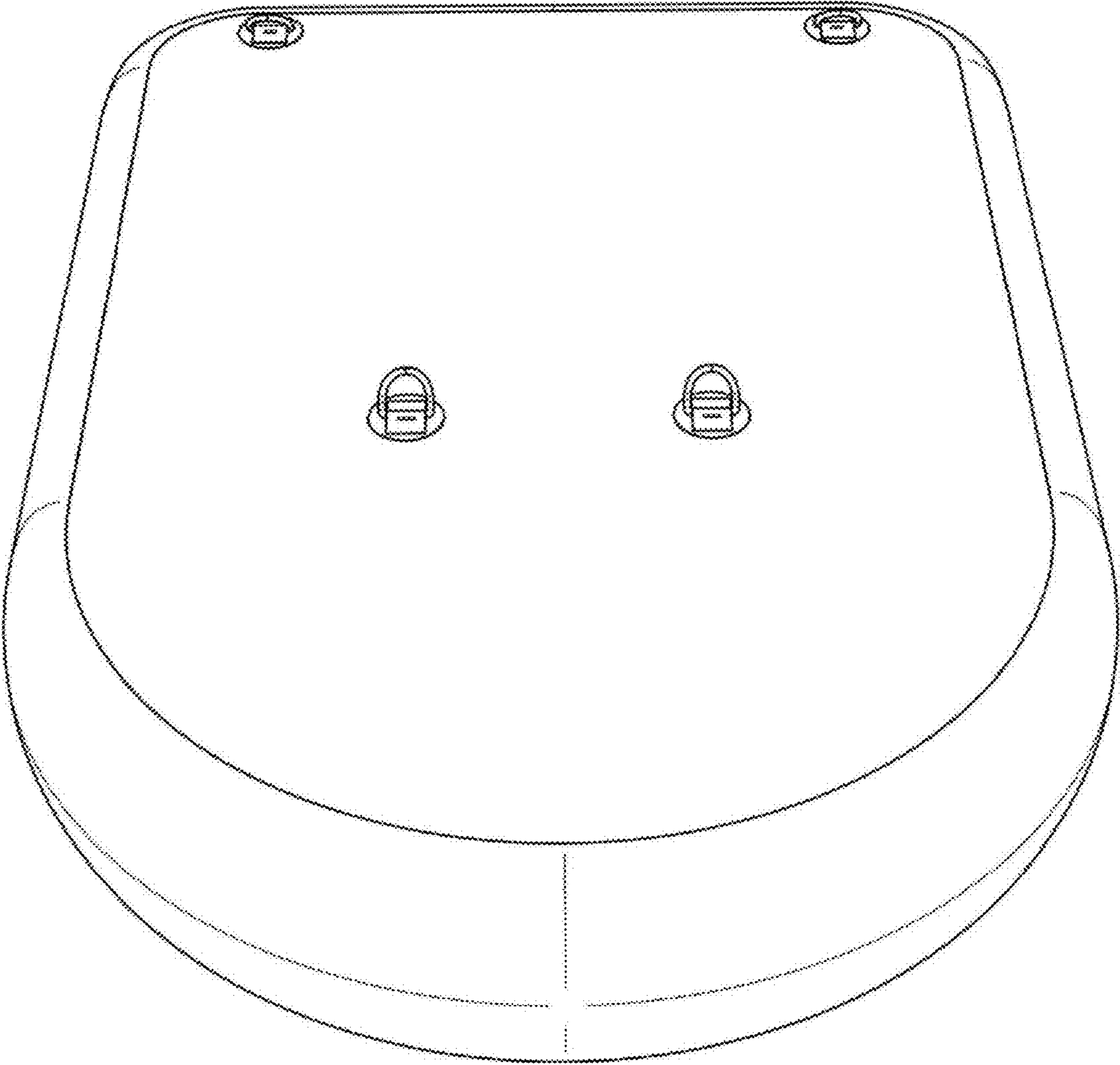


FIG. 9

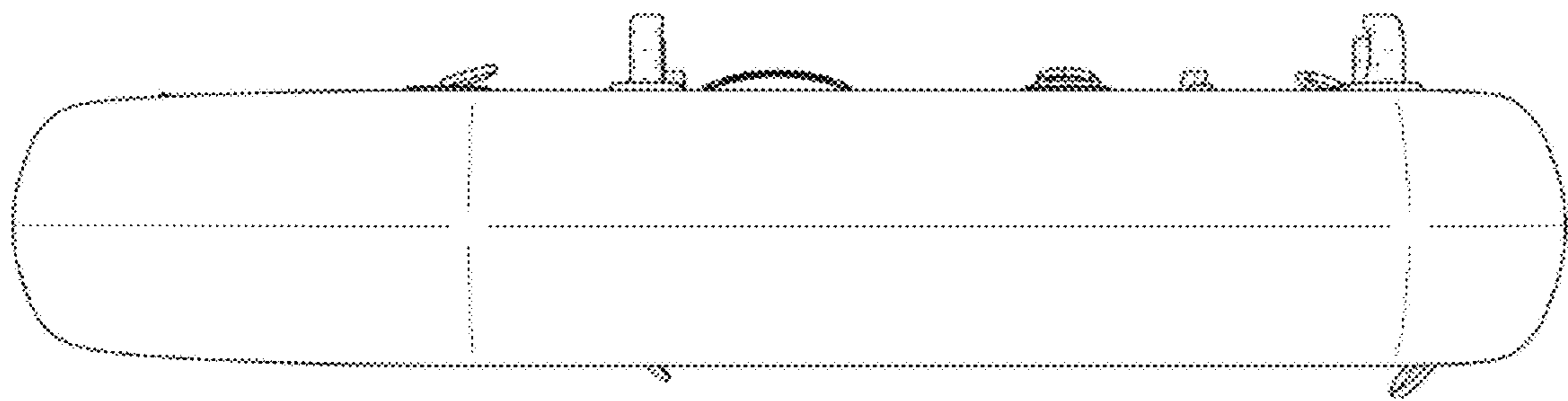


FIG. 10

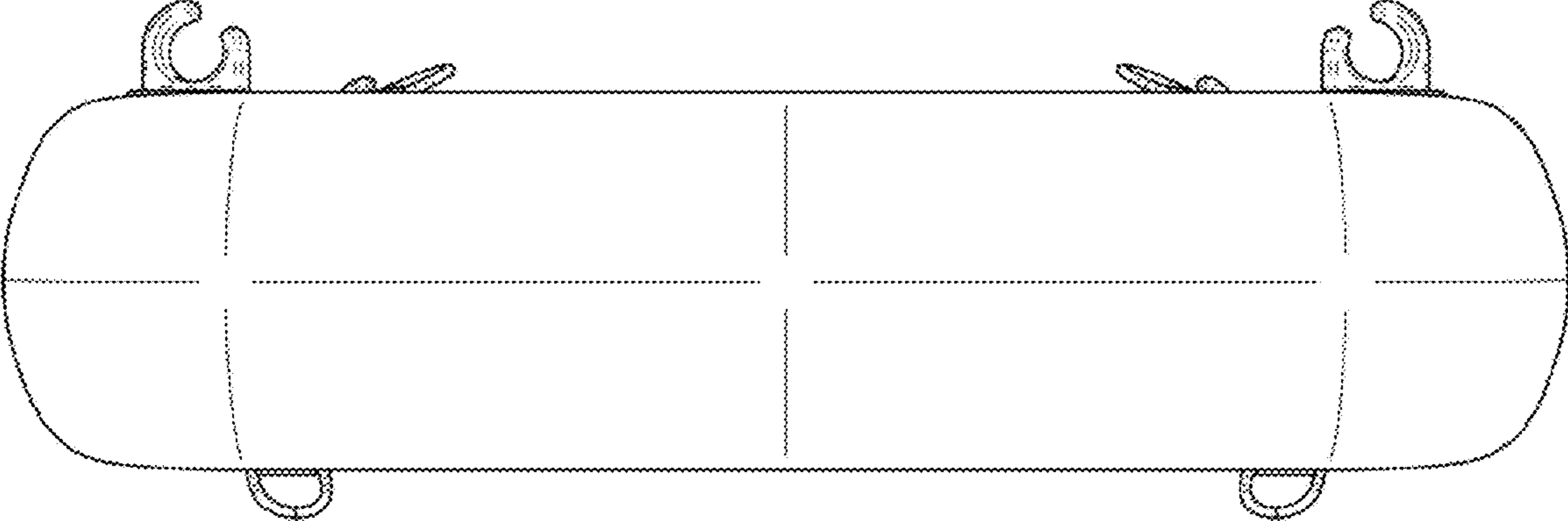


FIG. 11

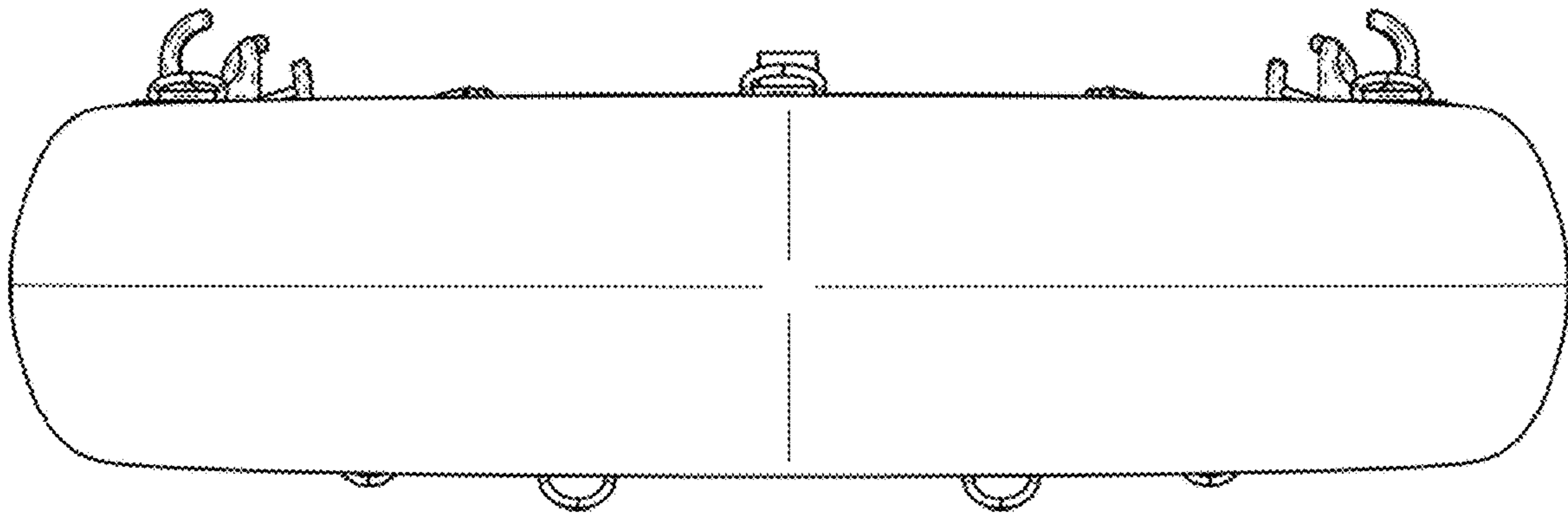


FIG. 12