



US00D865633S

(12) **United States Design Patent** (10) **Patent No.:** **US D865,633 S**
Chen et al. (45) **Date of Patent:** **** Nov. 5, 2019**

(54) **UNDERWATER ROBOT**

(56) **References Cited**

(71) Applicant: **SHENZHEN GENEINNO TECHNOLOGY CO., LTD,**
Guangdong (CN)

U.S. PATENT DOCUMENTS

(72) Inventors: **Zengqiang Chen,** Guangdong (CN);
Junping Huang, Guangdong (CN)

D304,923 S * 12/1989 Pado D12/308
D416,225 S * 11/1999 Robinson D12/308
9,227,709 B1 * 1/2016 Schill B63G 8/16
D795,158 S * 8/2017 Gan D12/308
2018/0203449 A1 * 7/2018 Tavares G03B 29/00
2019/0011335 A1 * 1/2019 Tavares G01N 1/20

(73) Assignee: **SHENZHEN GENEINNO TECHNOLOGY CO., LTD,**
Guangdong (CN)

* cited by examiner

(**) Term: **15 Years**

Primary Examiner — Cynthia M. Chin

(21) Appl. No.: **29/636,053**

(74) *Attorney, Agent, or Firm* — JCIPRNET

(22) Filed: **Feb. 6, 2018**

(57) **CLAIM**

The ornamental design for an underwater robot, as shown.

(30) **Foreign Application Priority Data**

DESCRIPTION

Nov. 21, 2017 (CN) 2017 3 0575608

(51) **LOC (12) Cl.** **12-06**

(52) **U.S. Cl.**
USPC **D12/308**

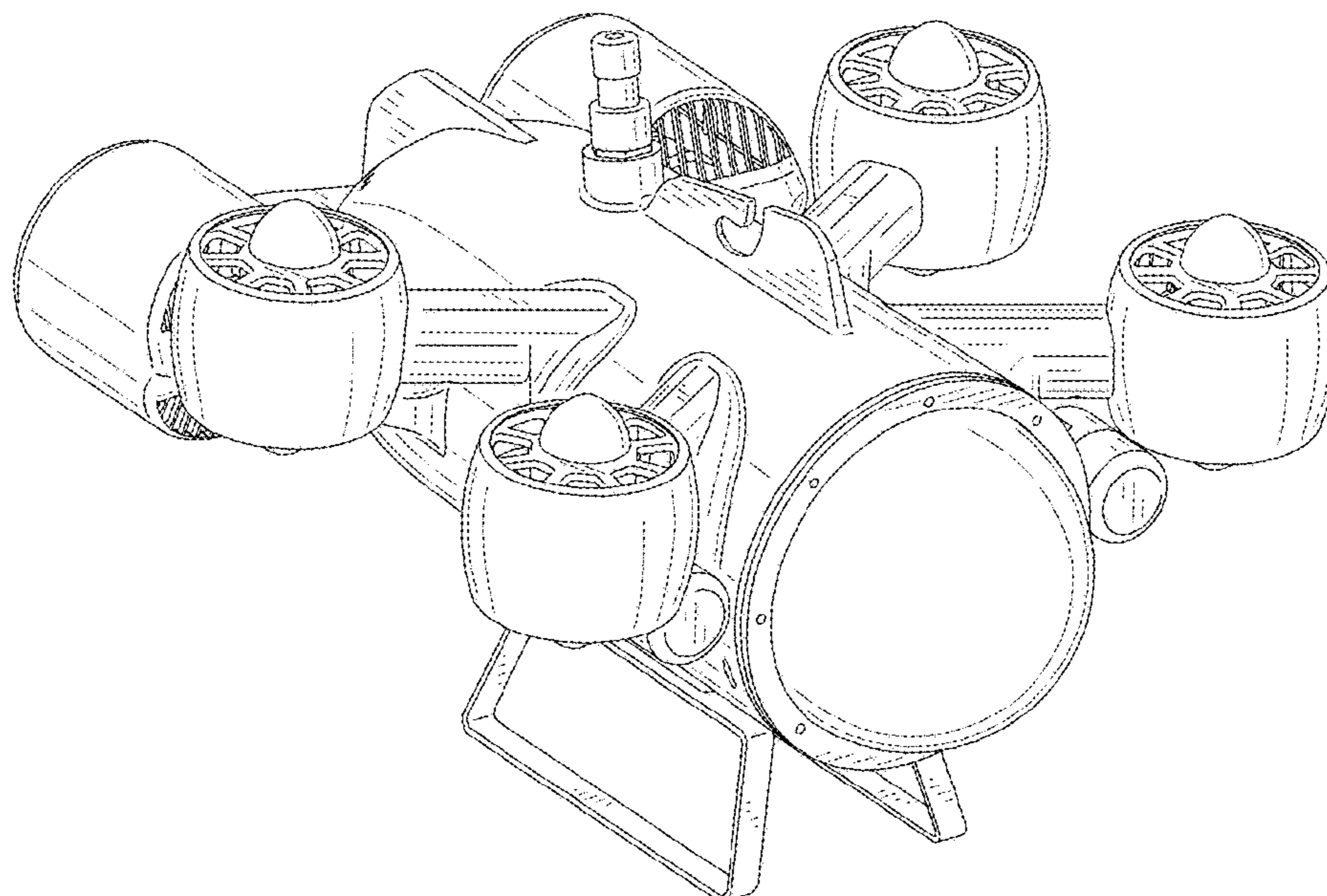
(58) **Field of Classification Search**
USPC D12/308, 317, 318; D21/545, 801
CPC B63G 8/00; B63G 8/001; B63G 8/002;
B63G 8/08; B63G 8/41; B63G 8/42;
B63B 3/13; B63B 1/107; B63C 11/36;
B63C 11/40; B63C 11/42

FIG. 1 is a front perspective view of an underwater robot showing our new design;
FIG. 2 is a rear perspective view thereof;
FIG. 3 is a front view thereof;
FIG. 4 is a rear view thereof;
FIG. 5 is a left view thereof;
FIG. 6 is a right view thereof;
FIG. 7 is a top view thereof; and,
FIG. 8 is a bottom view thereof.

The broken lines shown in the views are for the purpose of illustrating unclaimed subject matter only and form no part of the claimed design.

See application file for complete search history.

1 Claim, 8 Drawing Sheets



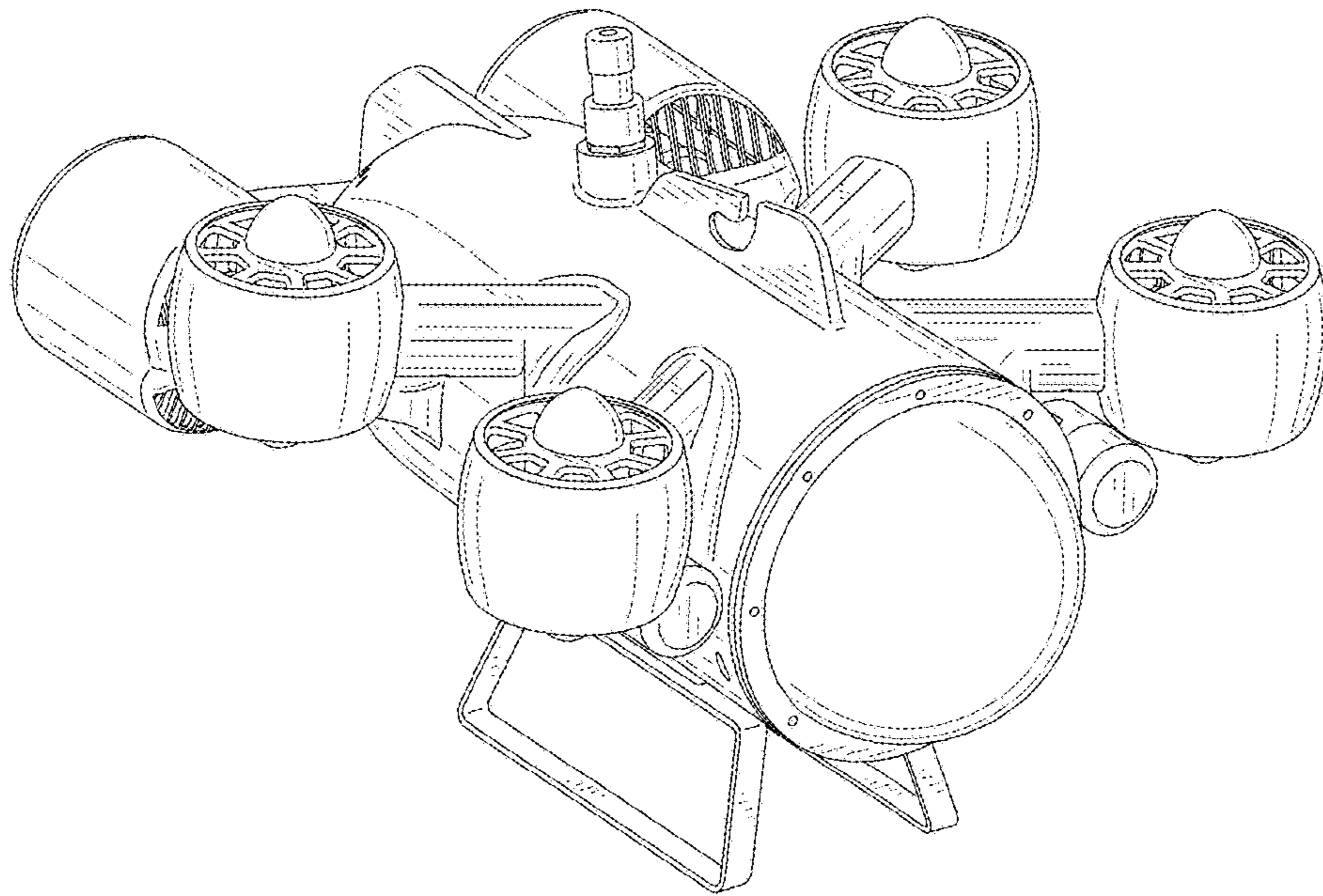


FIG. 1

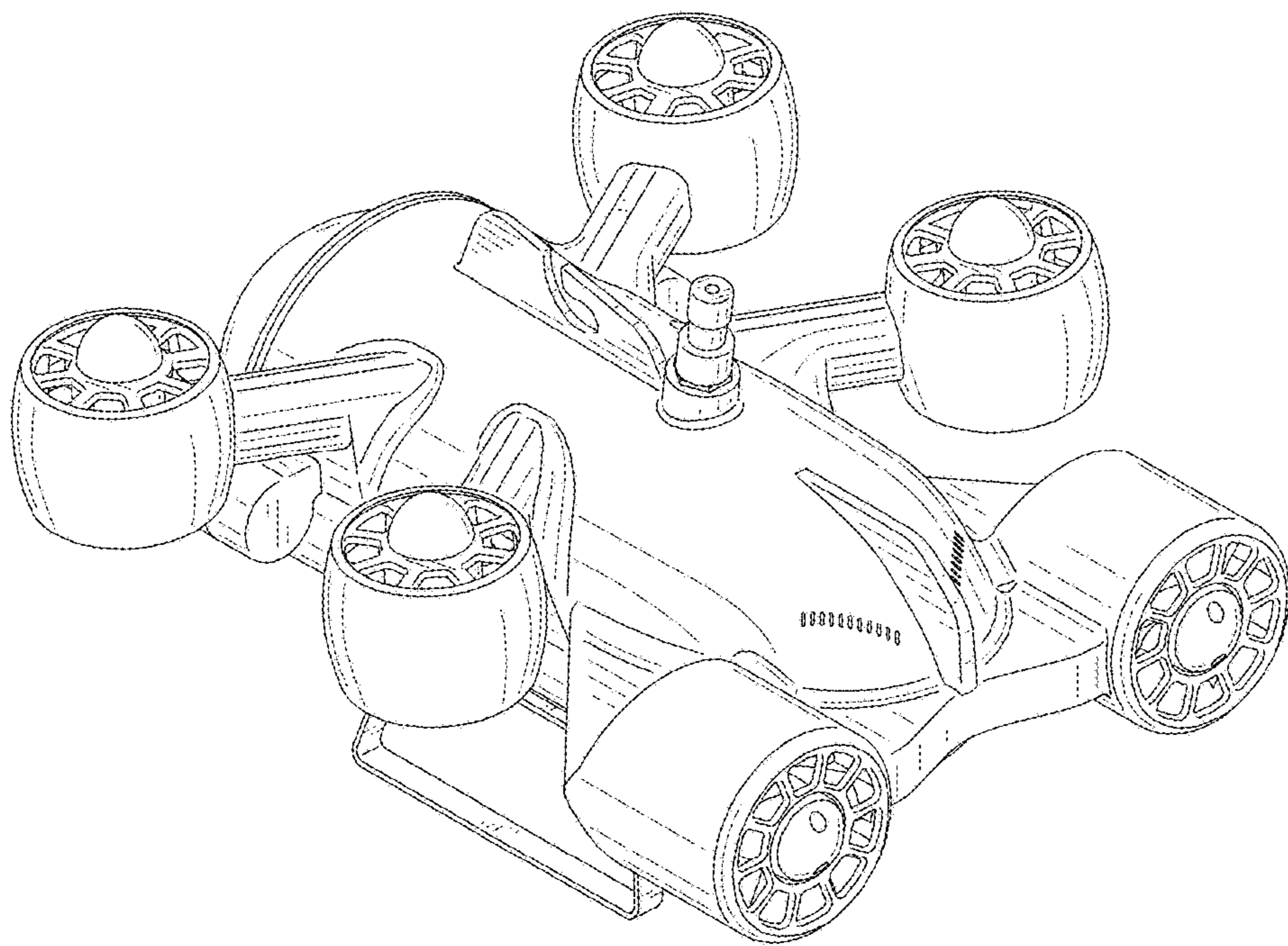


FIG. 2

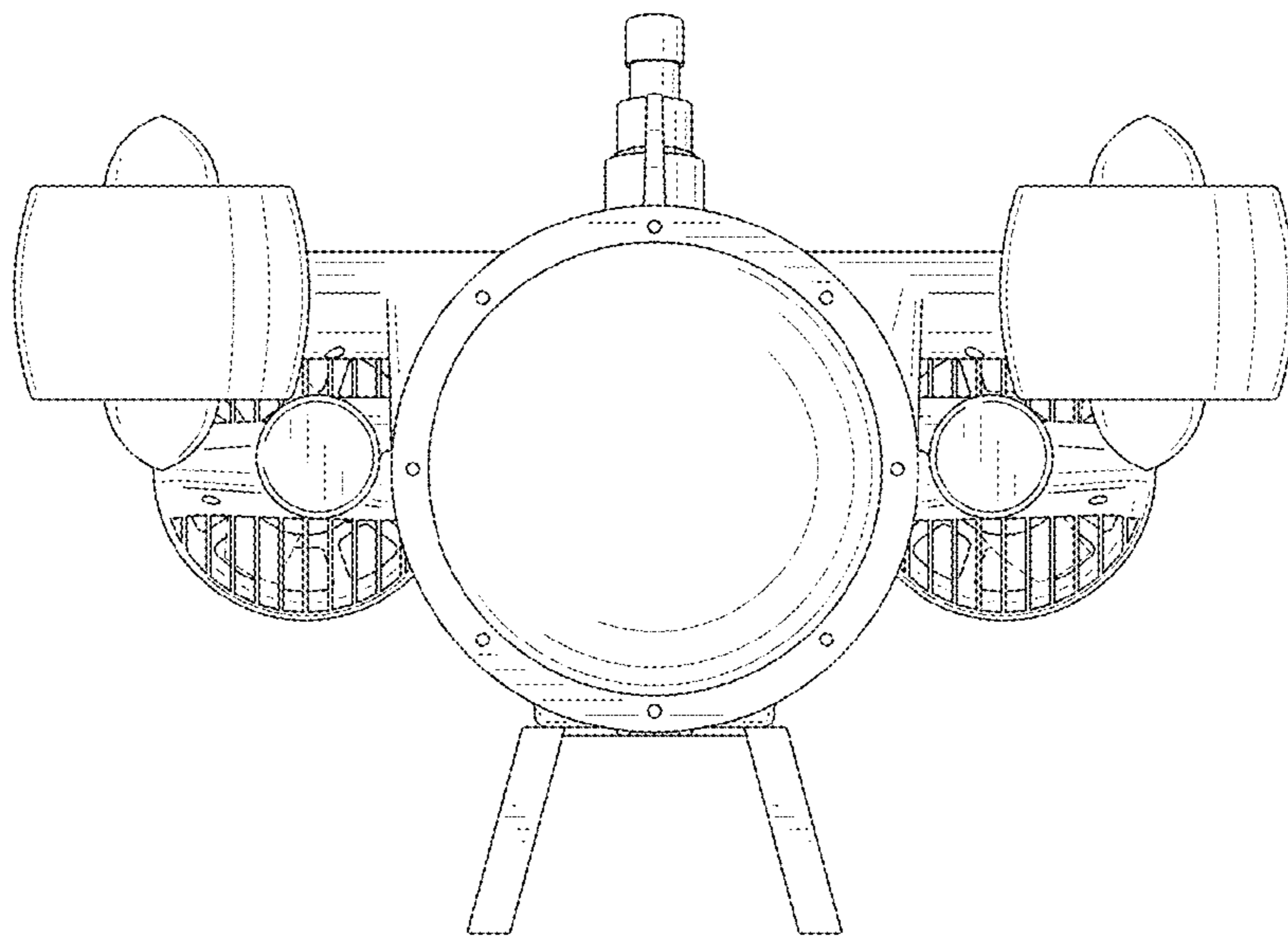


FIG. 3

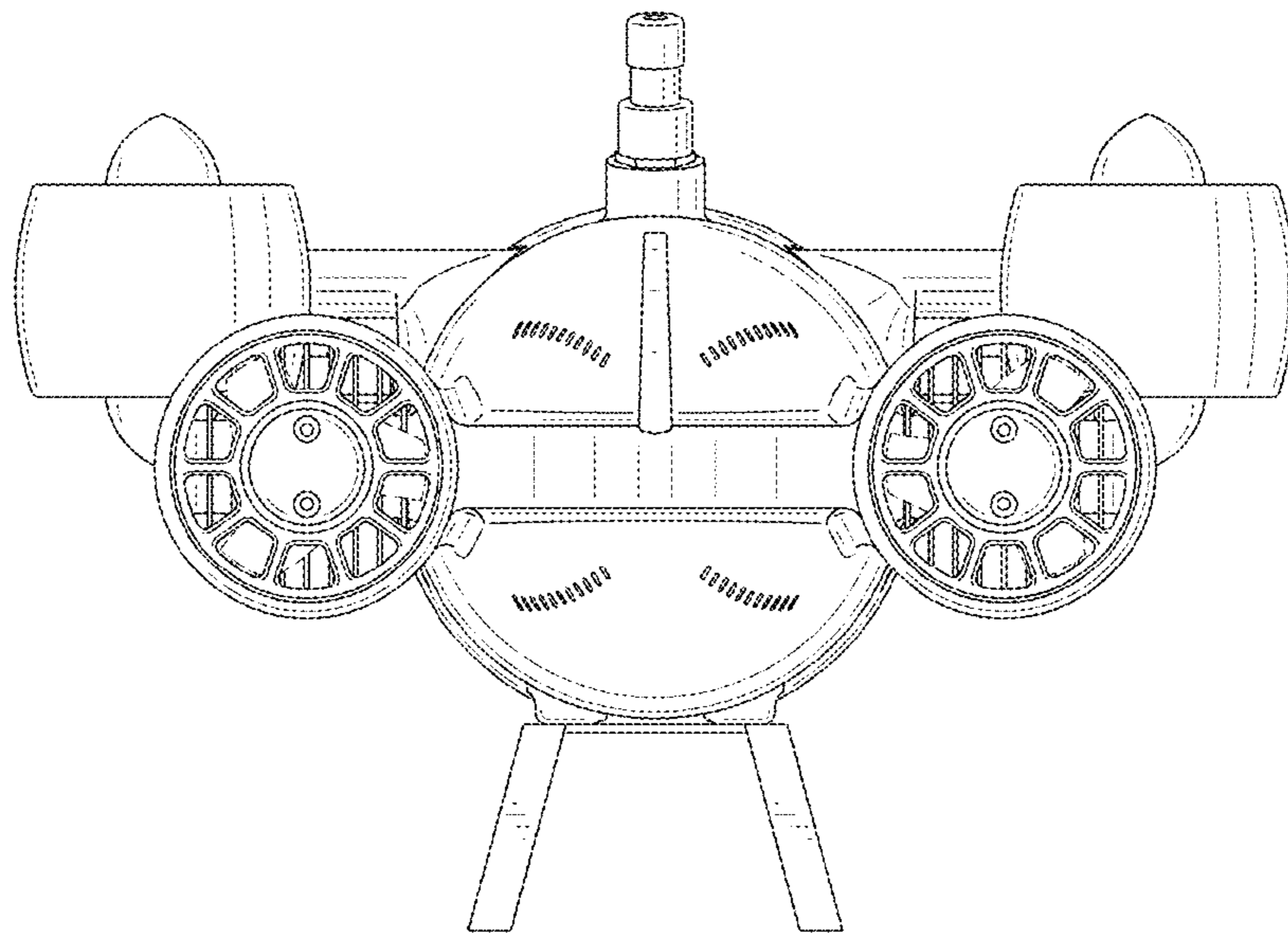


FIG. 4

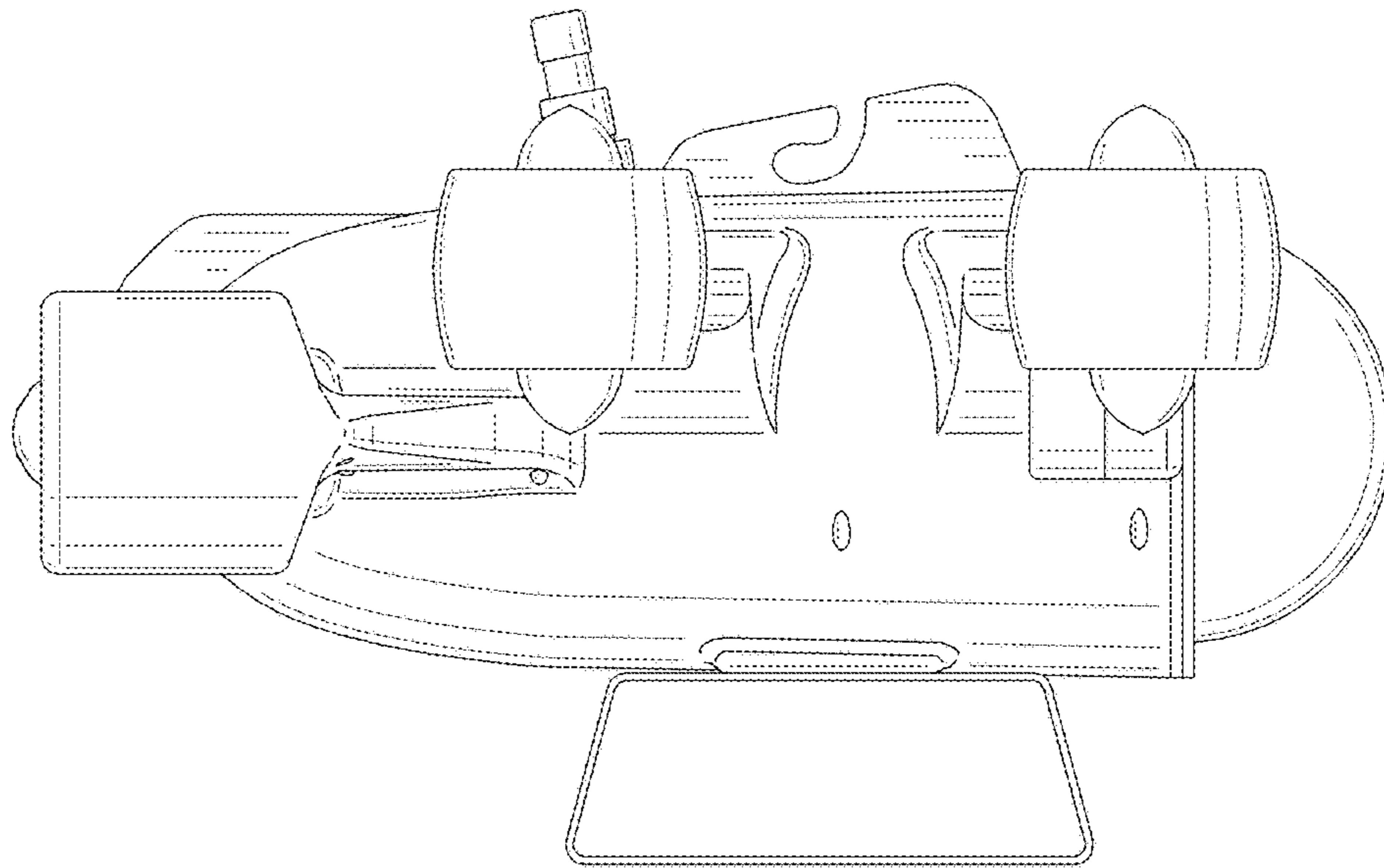


FIG. 5

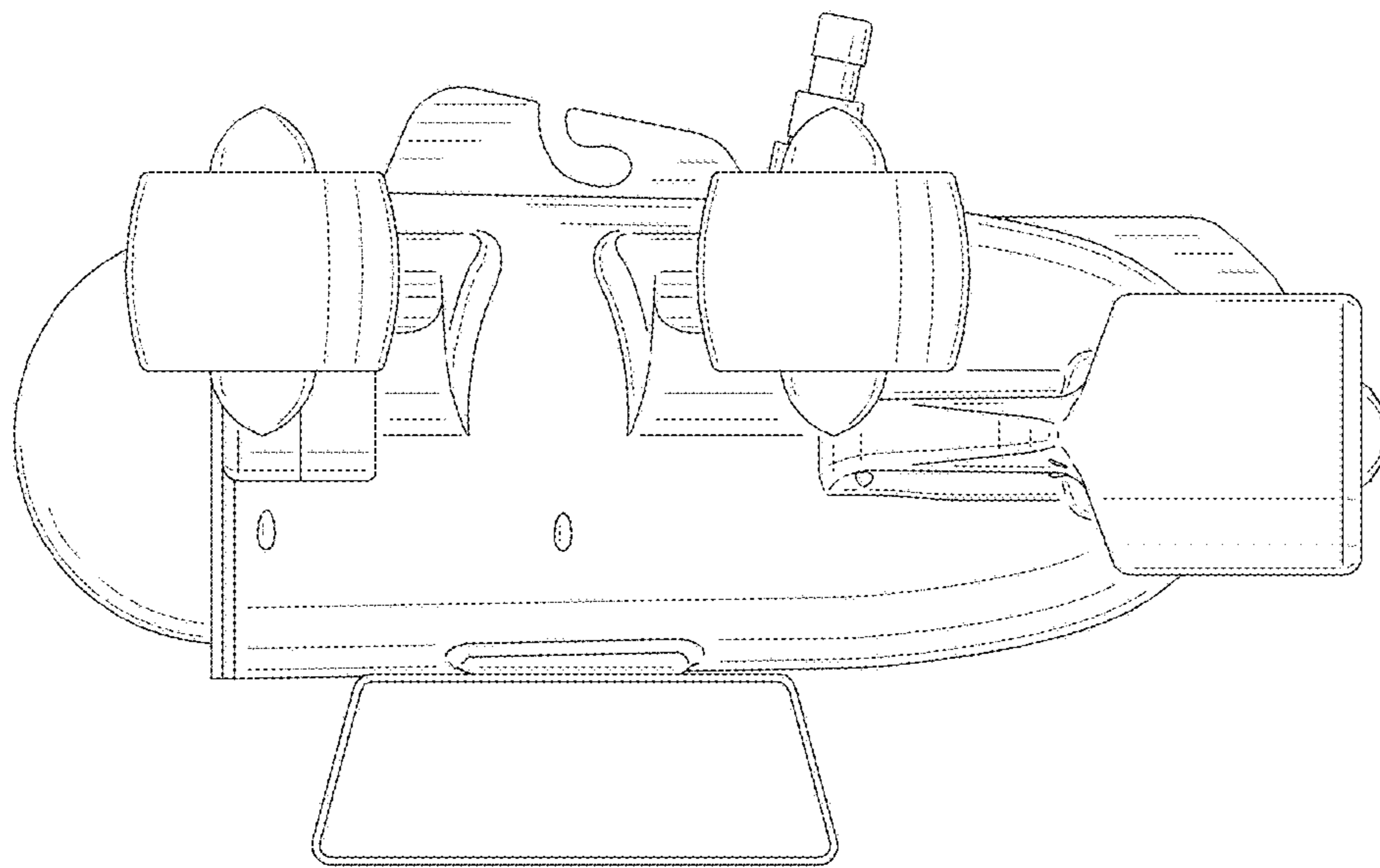


FIG. 6

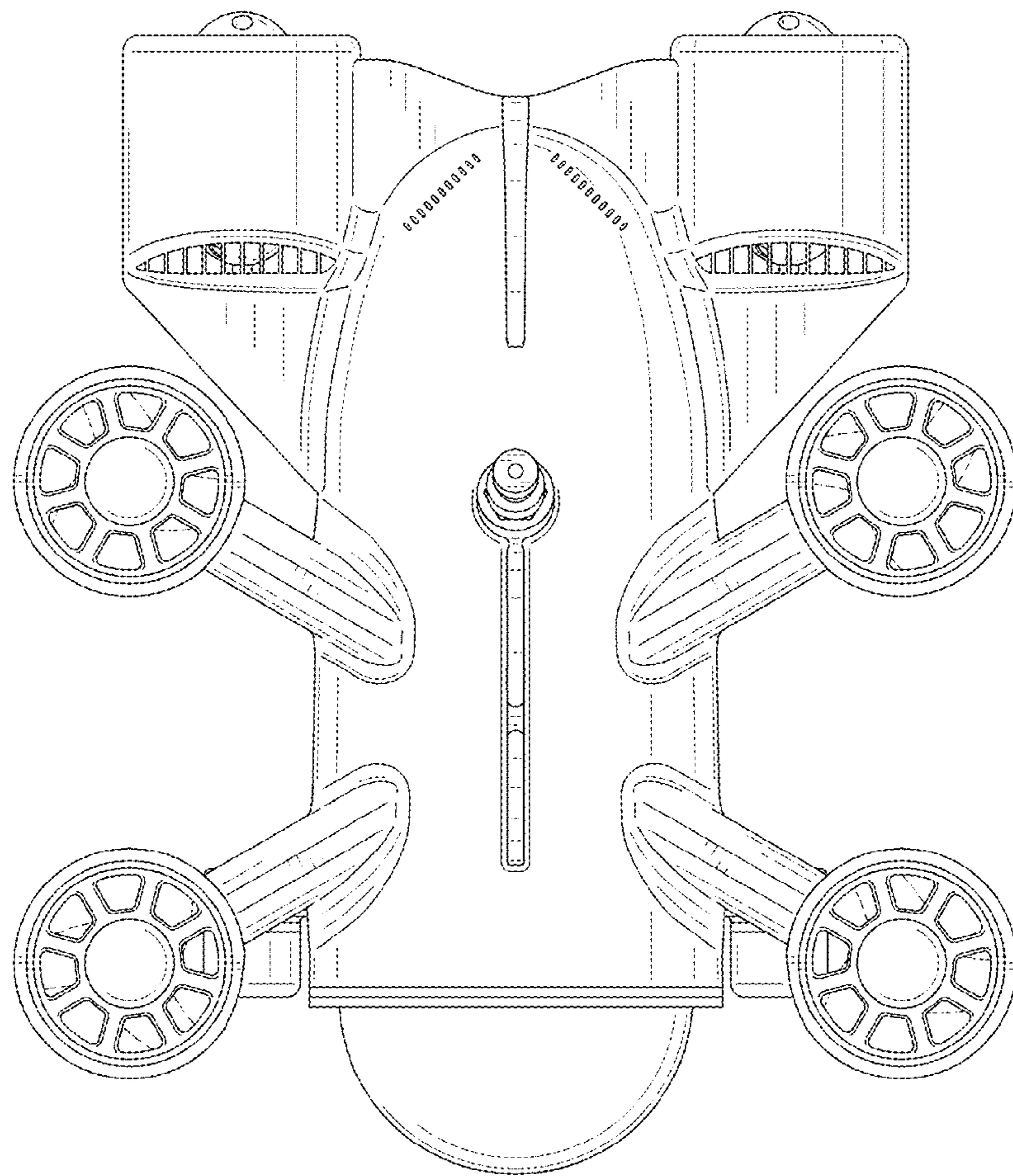


FIG. 7

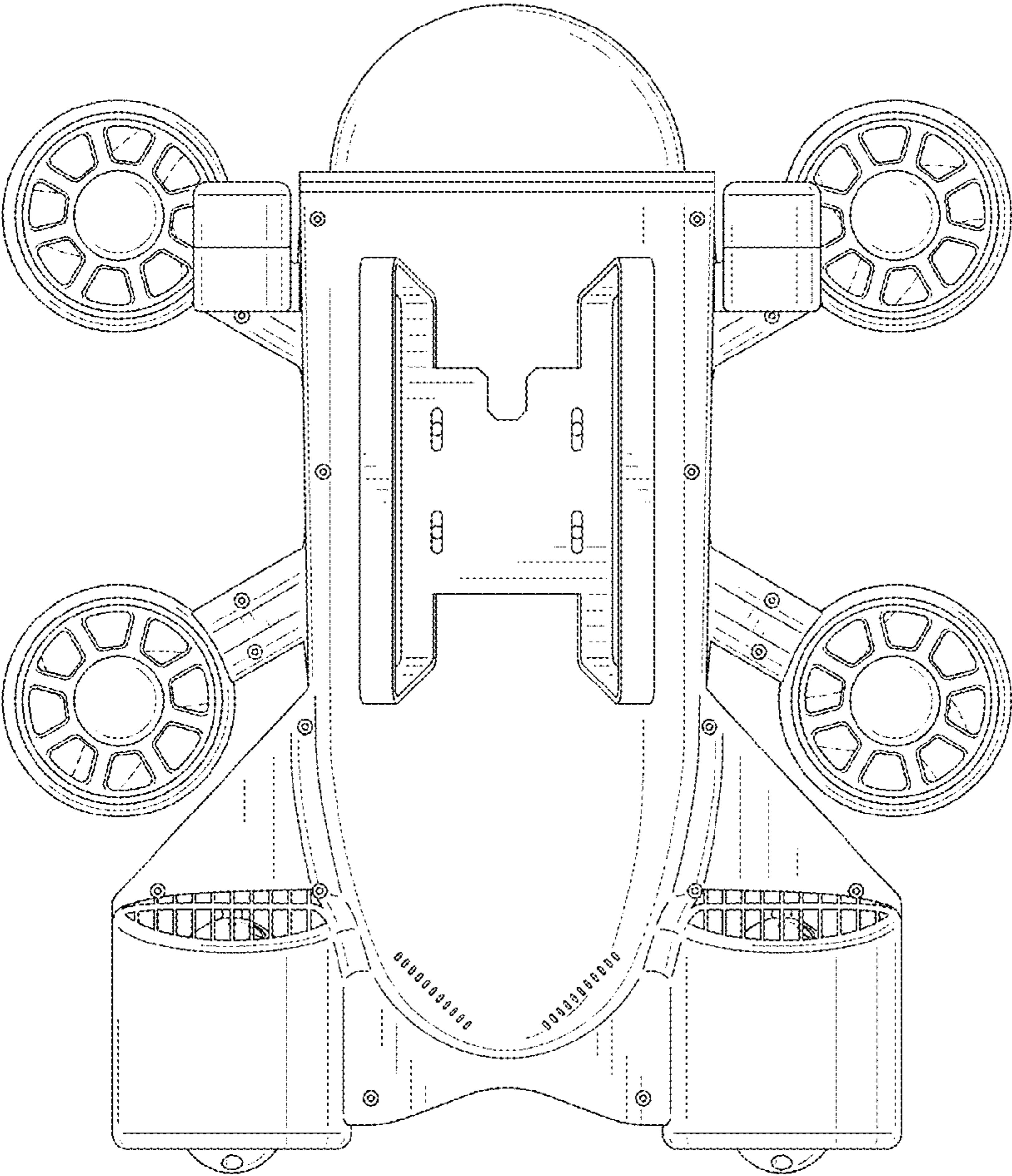


FIG. 8