



US00D865632S

(12) **United States Design Patent**
Brady

(10) **Patent No.:** **US D865,632 S**

(45) **Date of Patent:** **** Nov. 5, 2019**

(54) **BOAT**

(71) Applicant: **YAMAHA HATSUDOKI**
KABUSHIKI KAISHA, Shizuoka-ken
(JP)

(72) Inventor: **Rob Brady**, Sarasota, FL (US)

(73) Assignee: **YAMAHA HATSUDOKI**
KABUSHIKI KAISHA (JP)

(**) Term: **15 Years**

(21) Appl. No.: **29/631,352**

(22) Filed: **Dec. 29, 2017**

(51) **LOC (12) Cl.** **12-06**

(52) **U.S. Cl.**
USPC **D12/300**

(58) **Field of Classification Search**
USPC D12/300, 302, 303, 304, 310–314, 316,
D12/317
CPC B63B 17/00; B63B 17/02; B63B 35/81;
B63B 35/816; B62B 21/04
See application file for complete search history.

(56) **References Cited**

U.S. PATENT DOCUMENTS

D393,443 S * 4/1998 Cassell D12/314
D429,682 S * 8/2000 Garland D12/300

D700,127 S * 2/2014 Fuller, IV D12/300
D763,776 S * 8/2016 Braver D12/300
D826,834 S * 8/2018 Mattila D12/300
D826,836 S * 8/2018 Mattila D12/300
D826,837 S * 8/2018 Mattila D12/300
D828,276 S * 9/2018 Mattila D12/300
D828,277 S * 9/2018 Mattila D12/300

* cited by examiner

Primary Examiner — Cynthia M. Chin

(74) *Attorney, Agent, or Firm* — Ostrolenk Faber LLP

(57) **CLAIM**

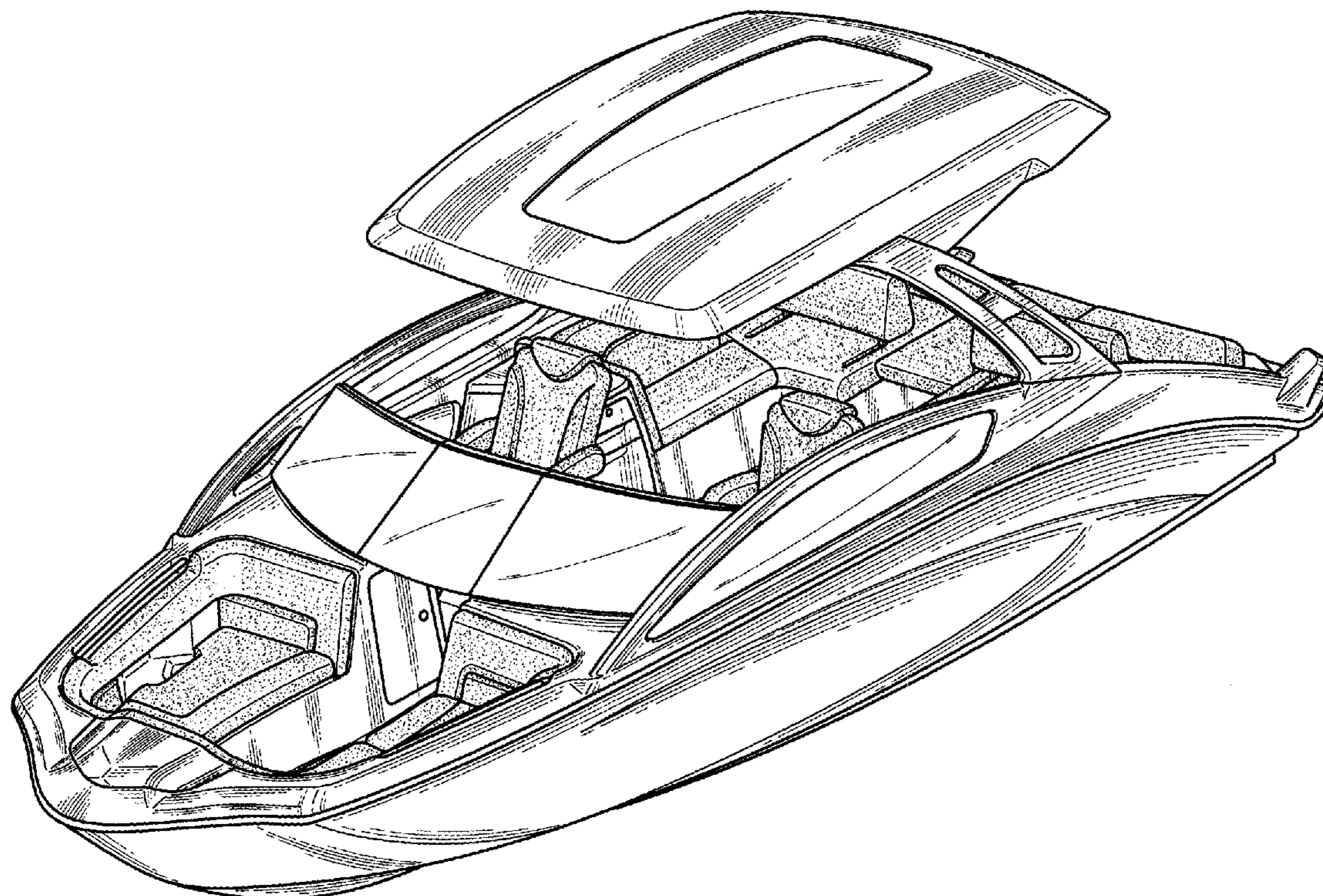
The ornamental design for a boat, as shown and described.

DESCRIPTION

FIG. 1 is a top, front, left side, perspective view of a boat showing my new design;
FIG. 2 is a top, rear, left side, perspective view thereof;
FIG. 3 is a front view thereof;
FIG. 4 is a rear view thereof;
FIG. 5 is a right side view thereof;
FIG. 6 is a left side view thereof;
FIG. 7 is a top view thereof; and,
FIG. 8 is a bottom view thereof.

The broken lines are for the purpose of illustrating portions of the article that form no part of the claim.

1 Claim, 8 Drawing Sheets



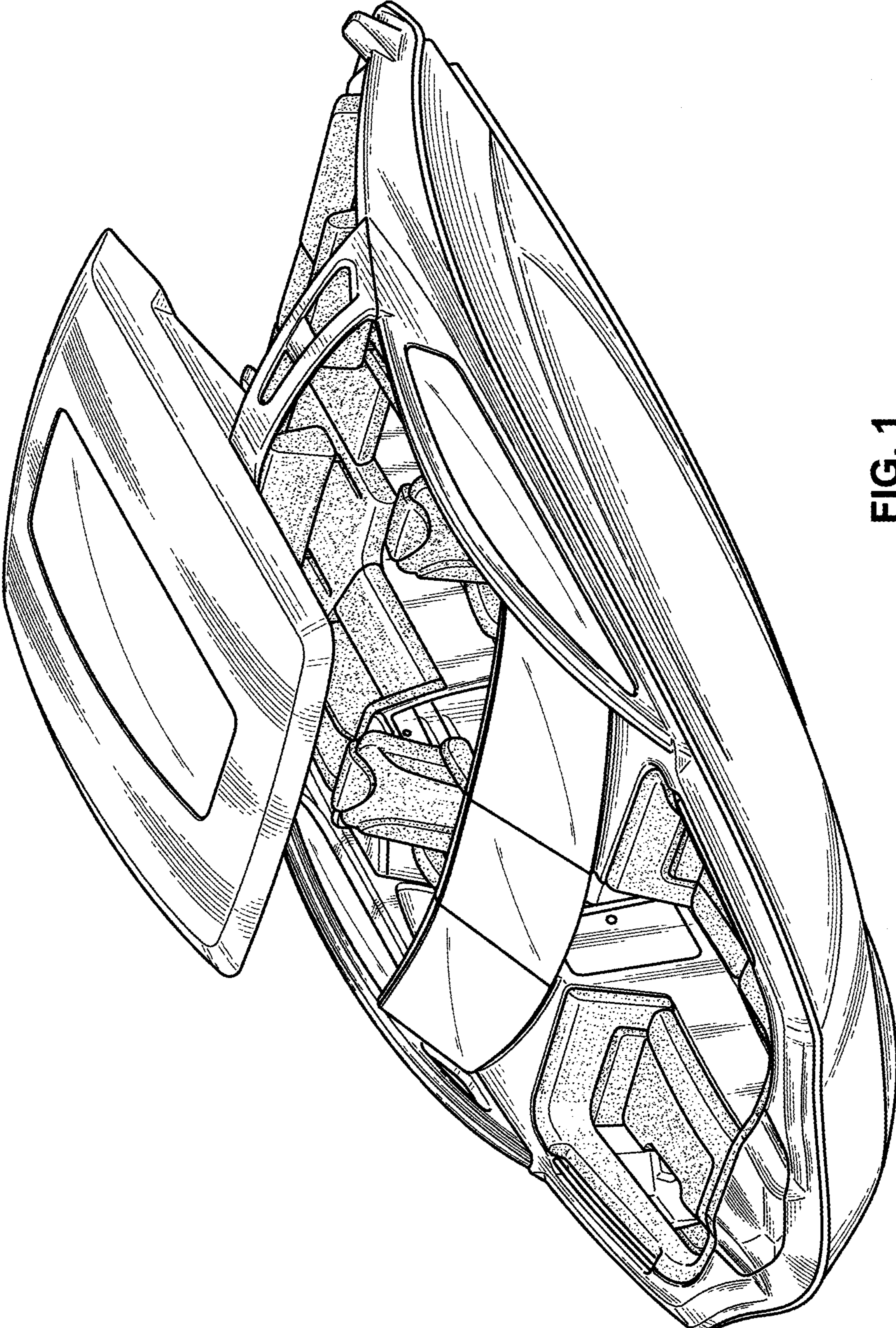


FIG. 1

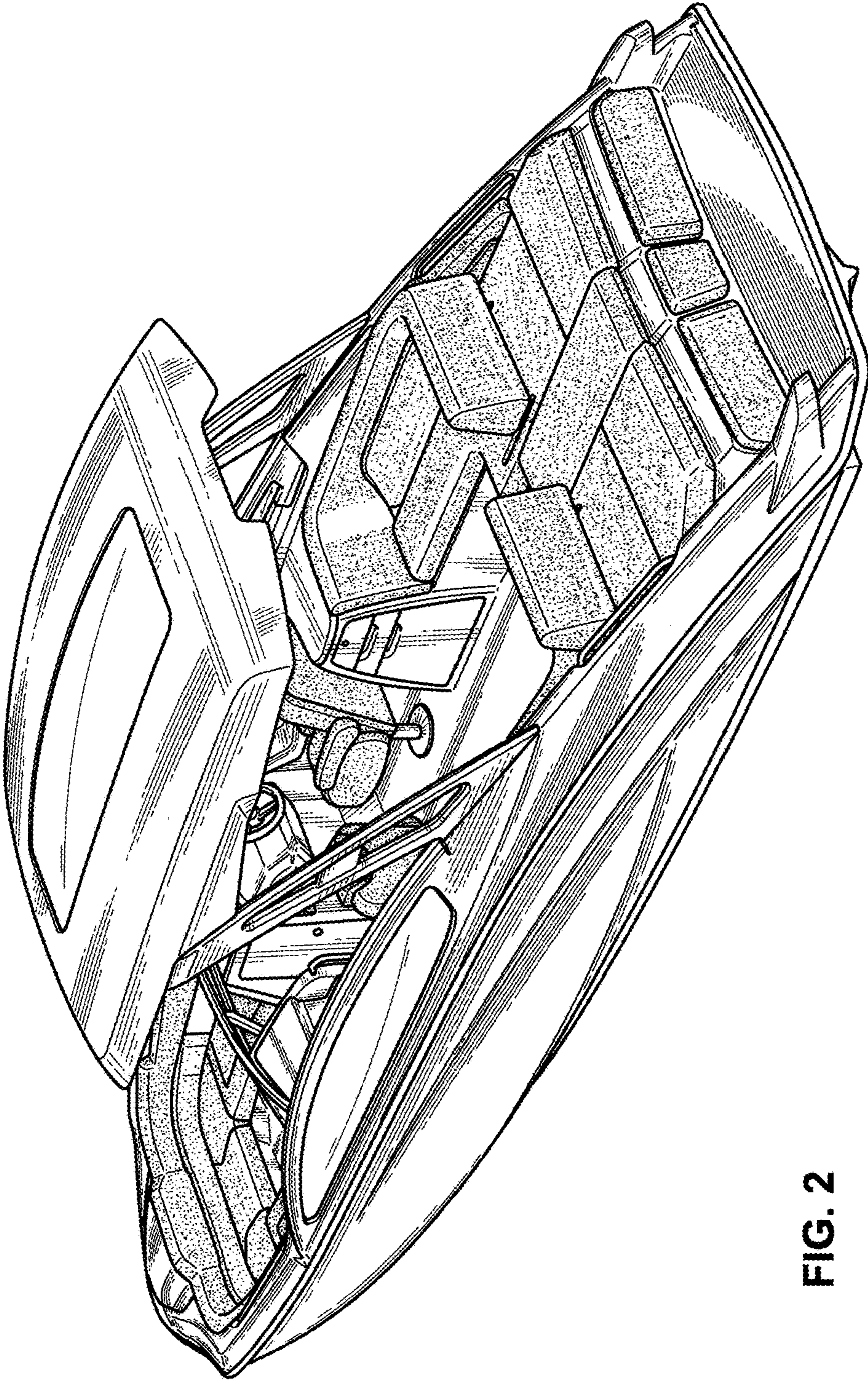


FIG. 2

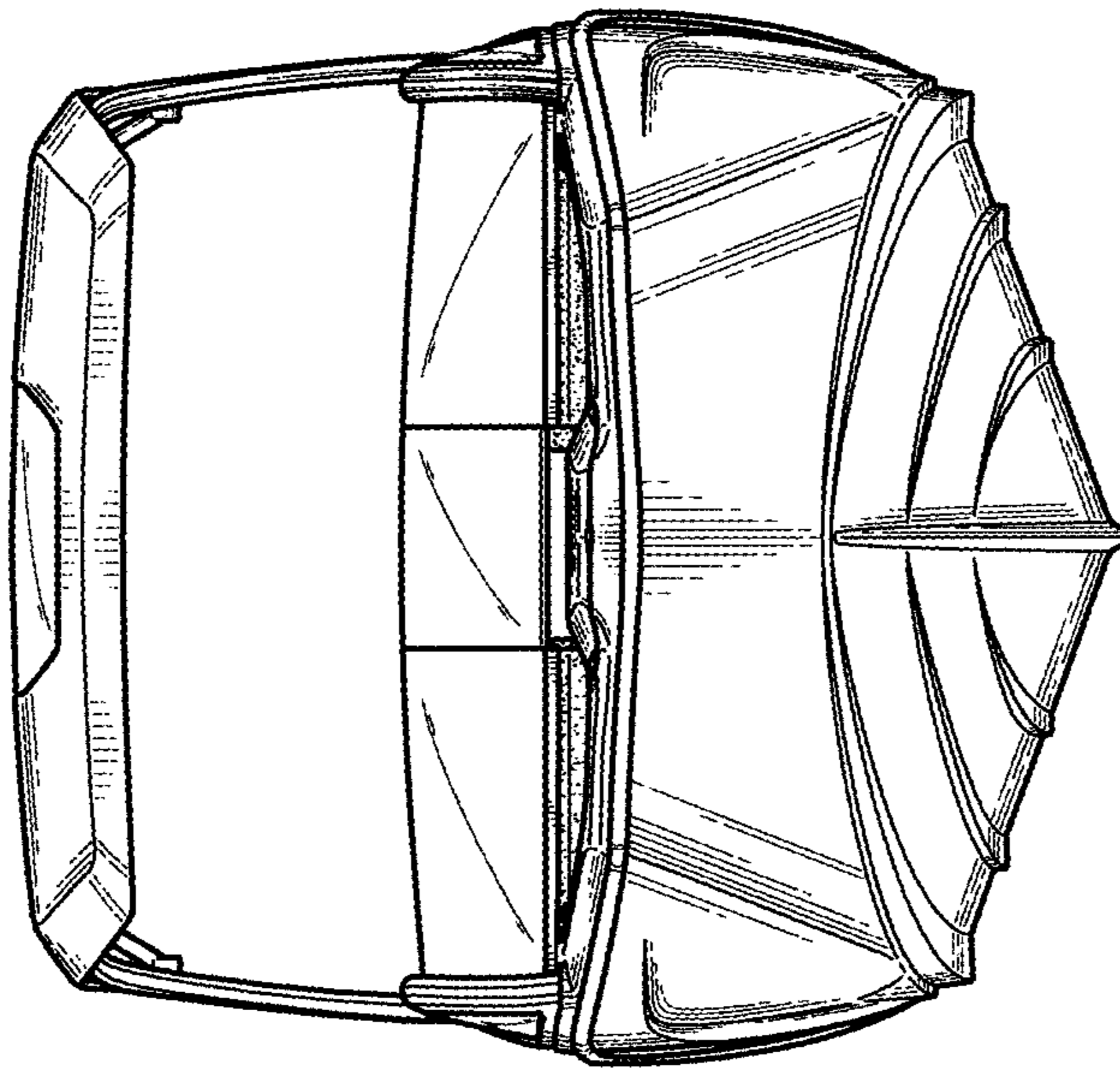


FIG. 3

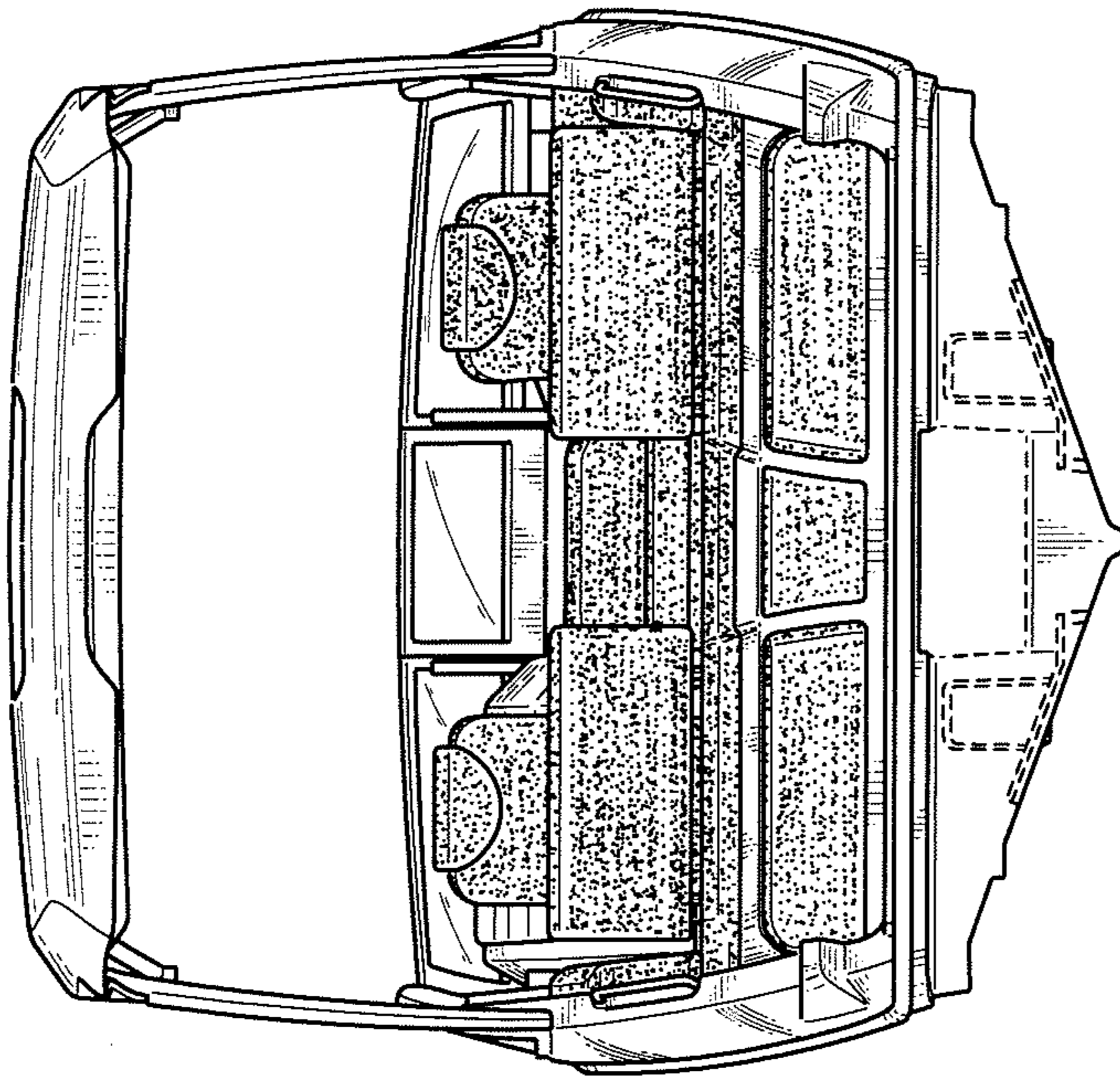


FIG. 4



FIG. 5

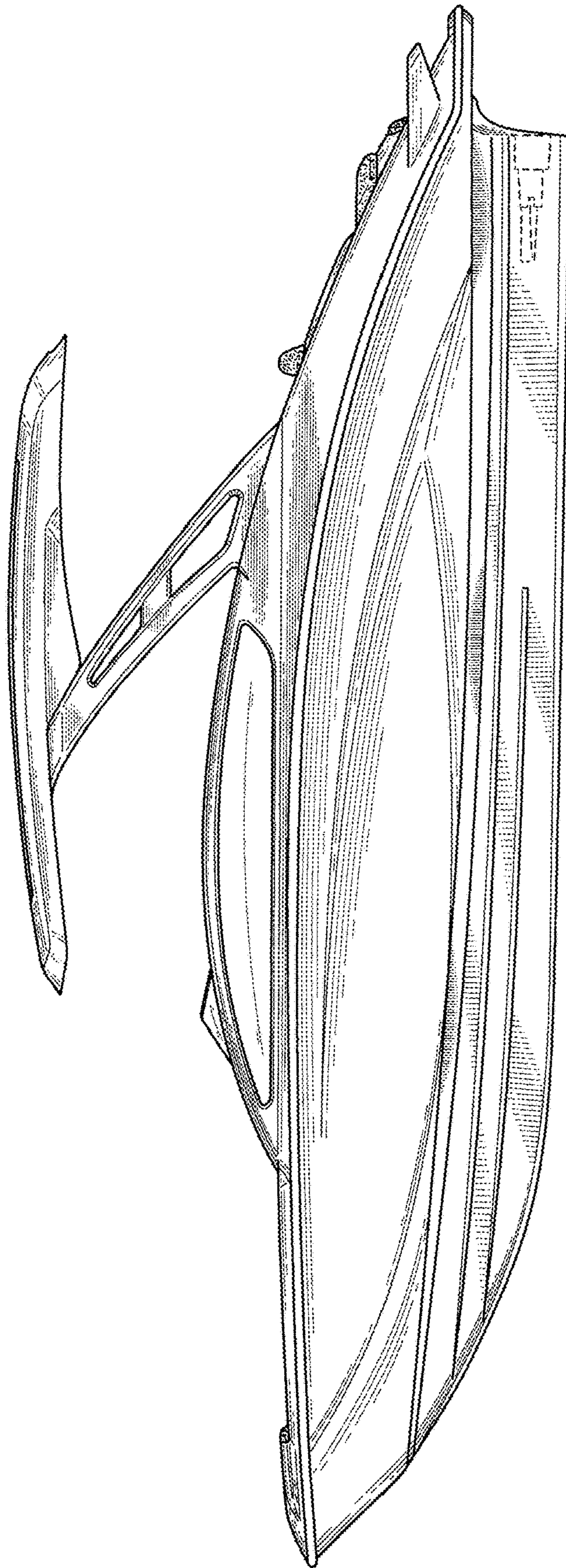


FIG. 6

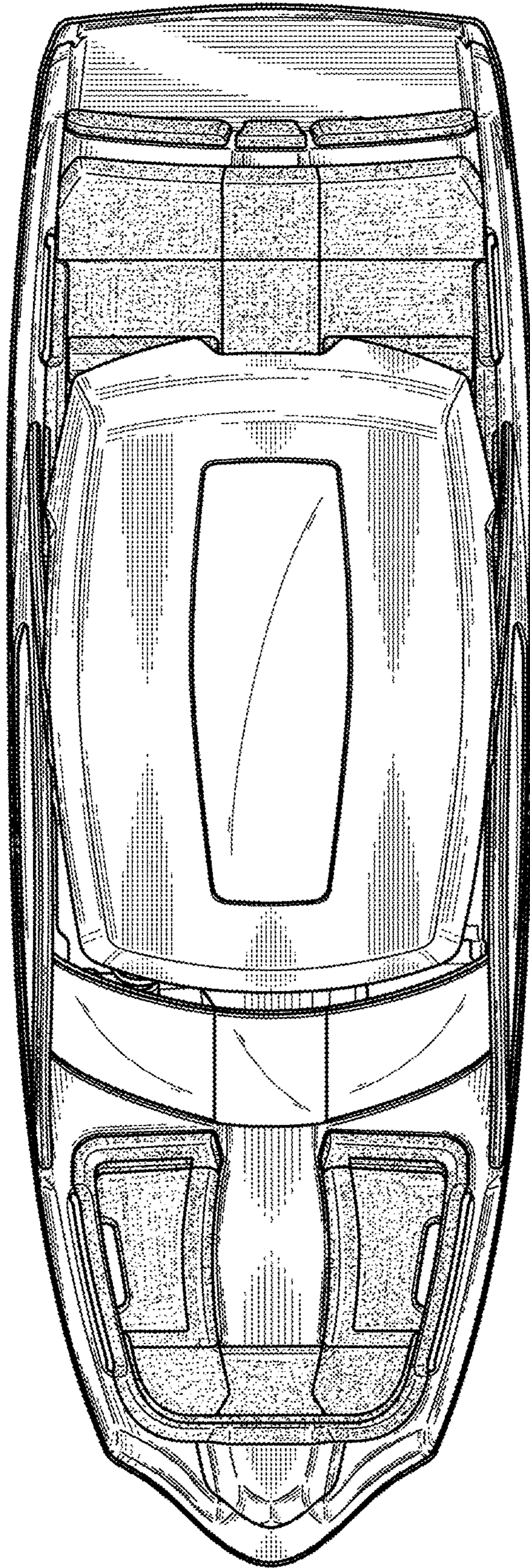


FIG. 7

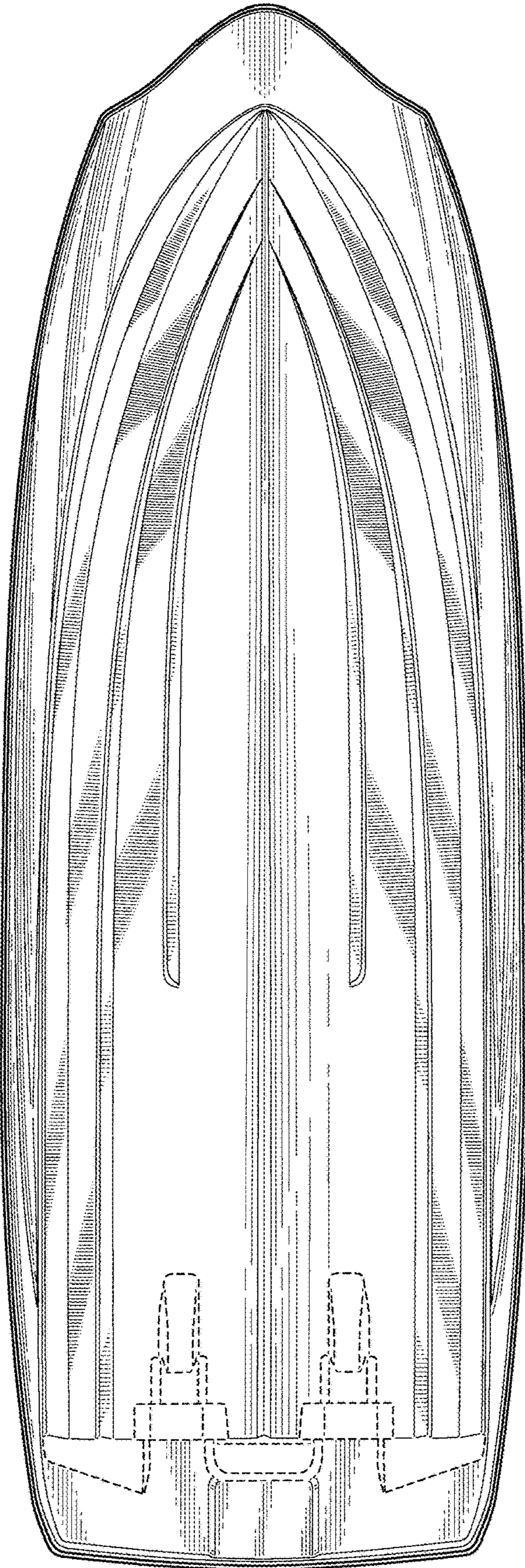


FIG. 8