



US00D865626S

(12) **United States Design Patent**  
**Han**

(10) **Patent No.:** **US D865,626 S**

(45) **Date of Patent:** **\*\* Nov. 5, 2019**

(54) **AUTOMOTIVE WHEEL**

(71) Applicant: **Donnie Han**, Corona, CA (US)

(72) Inventor: **Donnie Han**, Corona, CA (US)

(\*\*) Term: **15 Years**

(21) Appl. No.: **29/666,270**

(22) Filed: **Oct. 11, 2018**

(51) **LOC (12) Cl.** ..... **12-16**

(52) **U.S. Cl.**  
USPC ..... **D12/209**

(58) **Field of Classification Search**  
USPC ..... D12/204–213  
CPC .... B60B 7/00; B60B 7/02; B60B 7/04; B60B  
7/01; B60B 7/06; B60B 3/02; B60B 3/04;  
B60B 3/06; B60B 3/10; B60B 1/00;  
B60B 1/08; B60B 1/10; B60B 1/12  
See application file for complete search history.

(56) **References Cited**

**U.S. PATENT DOCUMENTS**

D541,202 S *	4/2007	Baumgartner	.....	D12/211
D547,251 S *	7/2007	Baum	.....	D12/209
D622,196 S *	8/2010	Gallert	.....	D12/209
D727,827 S *	4/2015	Chung	.....	D12/211
D735,630 S *	8/2015	Swanseger	.....	D12/209
D757,627 S *	5/2016	Chung	.....	D12/211
D758,274 S *	6/2016	Breyton	.....	D12/209
D760,142 S *	6/2016	Chu	.....	D12/211
D765,007 S *	8/2016	Chung	.....	D12/211
D778,223 S *	2/2017	Chu	.....	D12/211

D780,659 S *	3/2017	Liffick	.....	D12/211
D787,413 S *	5/2017	Alfonso	.....	D12/211
D795,775 S *	8/2017	Simpson	.....	D12/211
D798,211 S *	9/2017	Chung	.....	D12/209
D800,629 S *	10/2017	Tran	.....	D12/209
D810,647 S *	2/2018	Heizmann	.....	D12/209
D811,978 S *	3/2018	Hodges	.....	D12/211
D817,841 S *	5/2018	Chung	.....	D12/209
D826,819 S *	8/2018	Chung	.....	D12/209
D830,934 S *	10/2018	Zhao	.....	D12/209
D830,935 S *	10/2018	Zhao	.....	D12/209
D831,557 S *	10/2018	Hodges	.....	D12/209
D837,711 S *	1/2019	Chung	.....	D12/209
D837,715 S *	1/2019	Henderson	.....	D12/209
D840,895 S *	2/2019	Luo	.....	D12/209
D842,188 S *	3/2019	Han	.....	D12/209
D844,531 S *	4/2019	Luo	.....	D12/211
D853,294 S *	7/2019	Han	.....	D12/209
D853,295 S *	7/2019	Han	.....	D12/209
D854,996 S *	7/2019	Chung	.....	D12/209

\* cited by examiner

*Primary Examiner* — Stacia A Cadmus

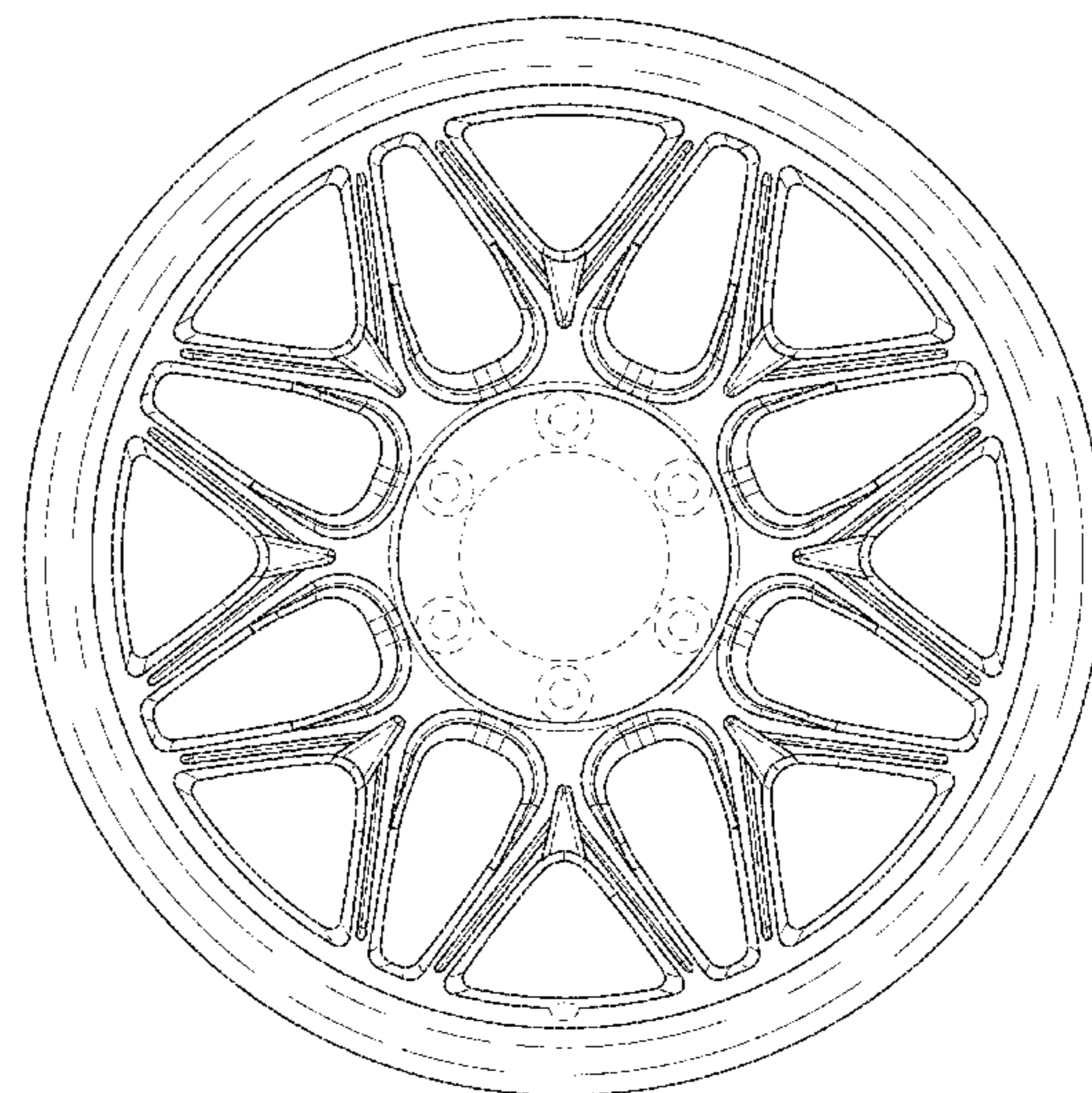
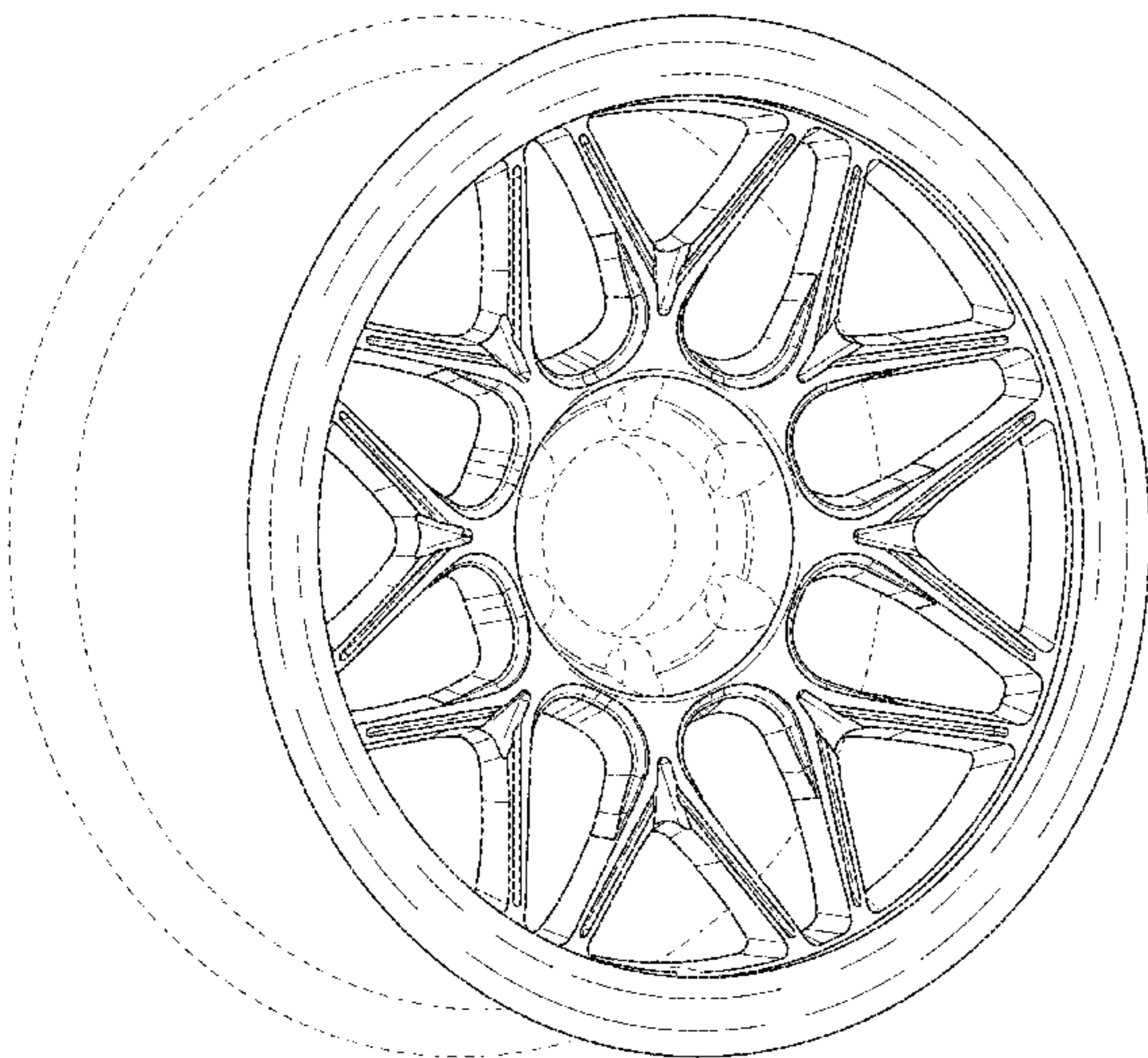
(57) **CLAIM**

The ornamental design for an automotive wheel, as shown and described.

**DESCRIPTION**

FIG. 1 is a perspective view of an automotive wheel, showing my new design; and, FIG. 2 is a front view thereof. In the drawings, the broken lines depict environmental subject matter and form no part of the claimed design.

**1 Claim, 2 Drawing Sheets**



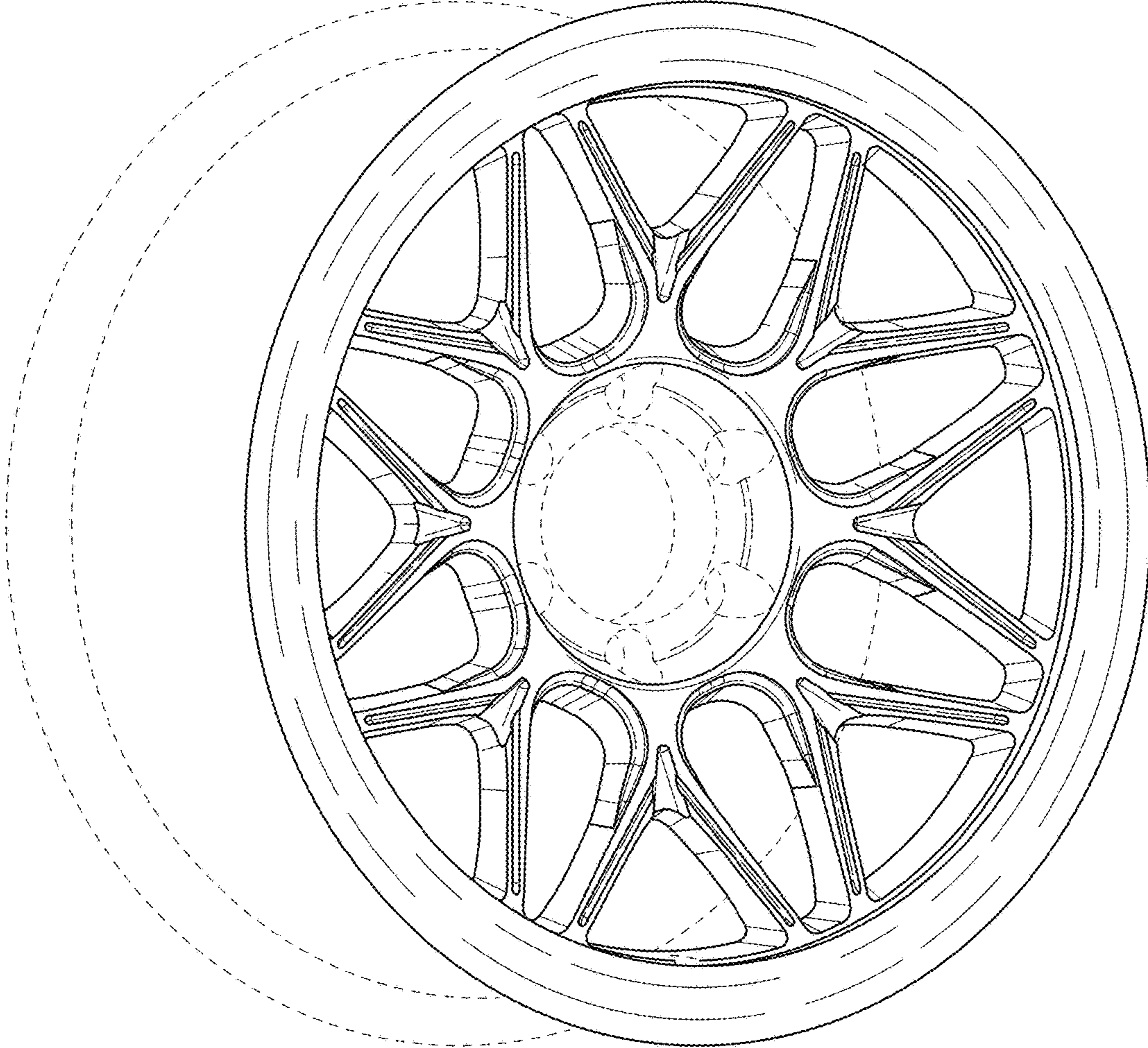


FIGURE 1

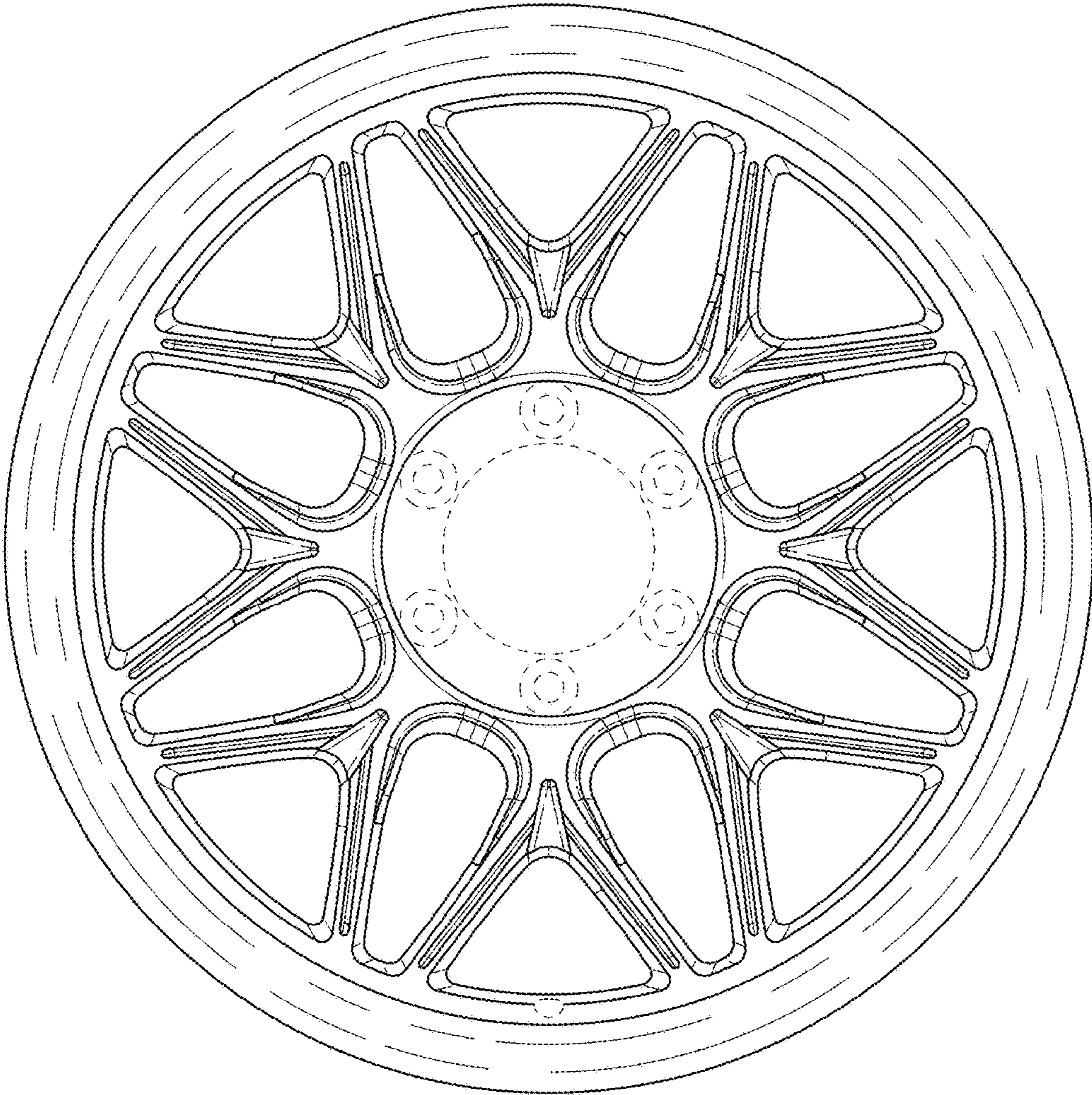


FIGURE 2