



US00D865625S

(12) **United States Design Patent**  
**Chiu**

(10) **Patent No.:** **US D865,625 S**

(45) **Date of Patent:** **\*\* Nov. 5, 2019**

(54) **WHEEL**

(71) Applicant: **Wheel Pros, LLC**, Greenwood Village,  
CO (US)

(72) Inventor: **Chiung-Pang Chiu**, Taoyuan (TW)

(\*\*) Term: **15 Years**

(21) Appl. No.: **29/665,860**

(22) Filed: **Oct. 8, 2018**

(51) **LOC (12) Cl.** ..... **12-16**

(52) **U.S. Cl.**  
USPC ..... **D12/209**

(58) **Field of Classification Search**  
USPC ..... D12/204–213  
CPC .... B60B 7/00; B60B 7/02; B60B 7/04; B60B  
7/01; B60B 7/06; B60B 3/02; B60B 3/04;  
B60B 3/06; B60B 3/10; B60B 1/00;  
B60B 1/08; B60B 1/10; B60B 1/12

See application file for complete search history.

(56) **References Cited**

**U.S. PATENT DOCUMENTS**

D273,102 S	3/1984	Woodward	
D291,796 S	9/1987	Reid	
D329,416 S *	9/1992	Braungart	D12/209
D361,975 S	9/1995	Weld	
D363,912 S *	11/1995	Chung	D12/209
5,676,430 A	10/1997	Wright	
D391,216 S *	2/1998	Bollmann	D12/209
D408,003 S *	4/1999	Sacco	D12/209
D408,775 S	4/1999	Shikado	
D443,580 S *	6/2001	Kubo	D12/211
D453,492 S	2/2002	Laengerer	
D453,724 S	2/2002	Hodges	
D453,913 S *	2/2002	Minamisawa	D12/209
D455,692 S *	4/2002	Iguchi	D12/209
D455,698 S	4/2002	Chung	

D464,010 S	10/2002	Chung	
D467,212 S	12/2002	Noriega	
D470,094 S	2/2003	van Hooydonk	
D478,542 S	8/2003	Sulahian	
D480,036 S	9/2003	Laerigerer	
D482,996 S	12/2003	Sulahian	
D492,925 S	7/2004	Fitzgerald	
D496,317 S	9/2004	Kataoka	
D499,684 S	12/2004	Cheng	
D502,438 S	3/2005	Weld	
D504,859 S	5/2005	Sulahian	
D505,374 S *	5/2005	Aleman	D12/209
D510,307 S	10/2005	Howes	
D513,486 S	1/2006	Rivera	
D514,494 S *	2/2006	Scheu	D12/209
D519,433 S	4/2006	Finn	
D521,436 S *	5/2006	Meier	D12/209
D522,429 S *	6/2006	Ishiwata	D12/209
D523,797 S	6/2006	Gallert	
D524,212 S	7/2006	Phillips	
D524,220 S	7/2006	Scheu	
D528,495 S	9/2006	Truebsbach	
D528,954 S	9/2006	Laengerer	
D535,601 S	1/2007	Beigel	
D538,726 S	3/2007	Wright	
D538,727 S	3/2007	Wright	

(Continued)

*Primary Examiner* — Stacia A Cadmus

(74) *Attorney, Agent, or Firm* — Eric Hanscom

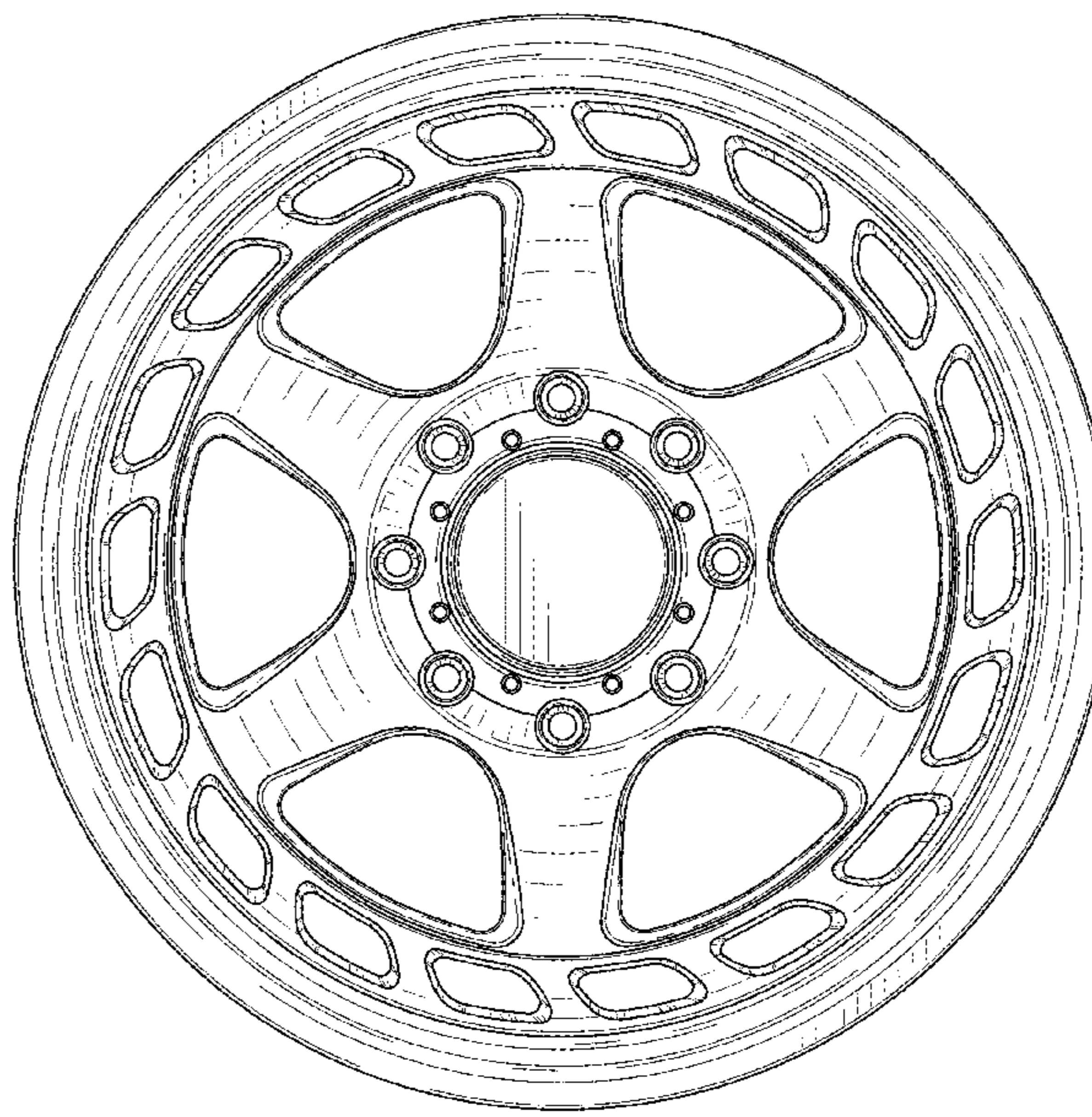
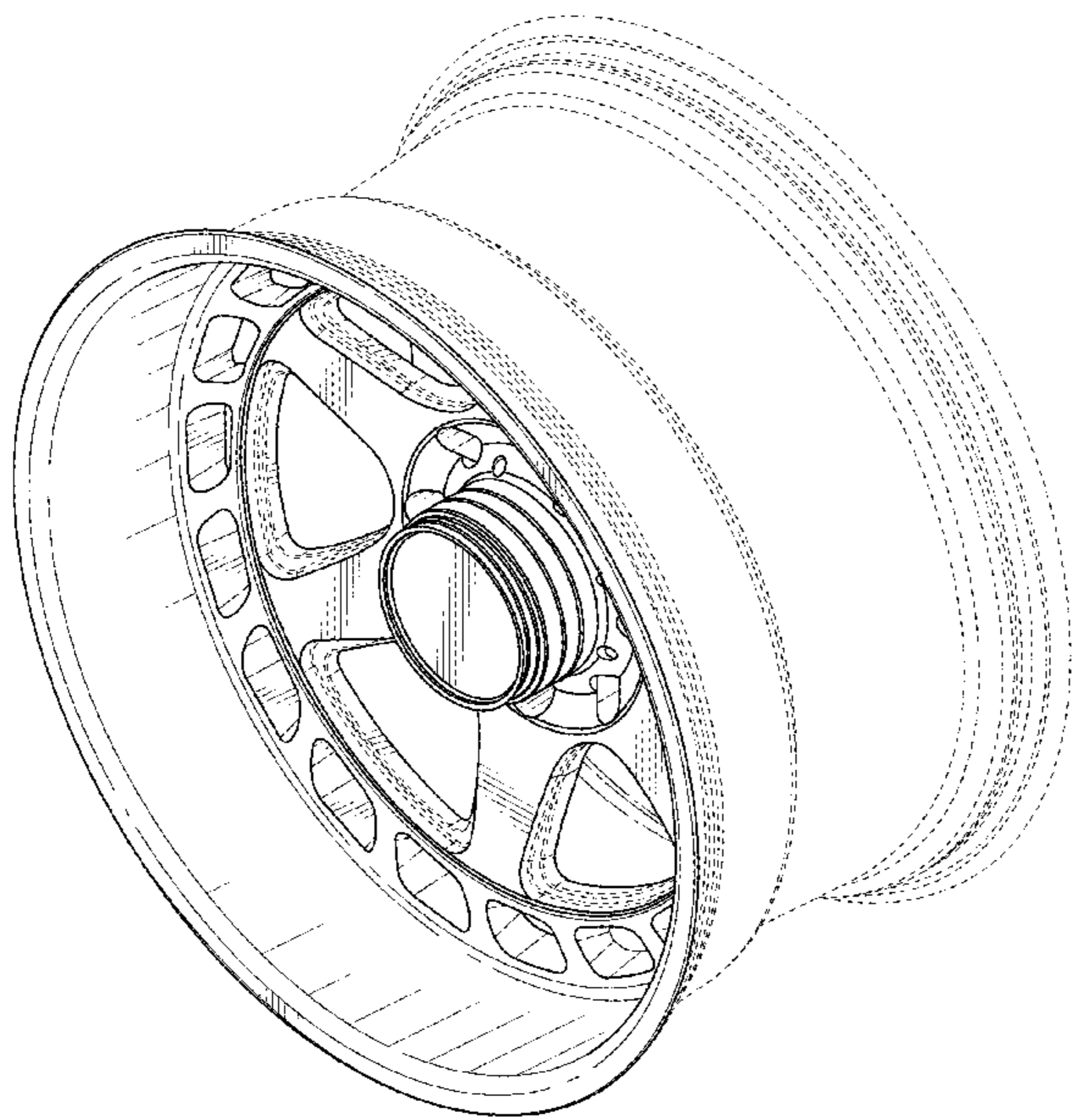
(57) **CLAIM**

The ornamental design for a wheel, as shown and described.

**DESCRIPTION**

FIG. 1 is a perspective view of a wheel showing my new design; and,  
FIG. 2 is a front view thereof.  
In the drawings, broken lines shown in the drawings depict environmental subject matter only and form no part of the claimed design.

**1 Claim, 2 Drawing Sheets**



(56)

References Cited

U.S. PATENT DOCUMENTS

D542,209 S	5/2007	Pfeiffer		D702,172 S	4/2014	Chung	
D549,148 S	8/2007	Buschmann		D702,173 S	* 4/2014	Perini	D12/211
D550,600 S	9/2007	Celik		D704,116 S	5/2014	Chung	
D552,525 S	10/2007	Celik		D704,117 S	5/2014	Chung	
D553,068 S	10/2007	Celik		D704,617 S	5/2014	Chung	
D569,777 S	5/2008	Chung		D706,197 S	6/2014	Chung	
D576,093 S	9/2008	Chung		D707,167 S	6/2014	Chung	
D576,936 S	9/2008	Imai		D709,020 S	7/2014	Chung	
D577,650 S	9/2008	Chung		D711,304 S	8/2014	Chung	
D578,457 S	10/2008	Guidry		D713,316 S	9/2014	Song	
D579,845 S	11/2008	Chung		D714,207 S	9/2014	Kim	
D582,827 S	12/2008	Musser		D714,705 S	10/2014	Kong	
D582,828 S	* 12/2008	Young	D12/211	D714,706 S	10/2014	Chung	
D582,831 S	12/2008	Musser		D715,211 S	10/2014	Gotschke	
D583,290 S	12/2008	Wang		D717,709 S	11/2014	Valencia Pollex	
D585,801 S	2/2009	Wang		D719,893 S	12/2014	Kim	
D596,099 S	7/2009	Chung		D726,628 S	4/2015	Kong	
D598,357 S	8/2009	Chung		D726,630 S	4/2015	Kong	
D599,266 S	9/2009	Bierenbreier		D731,946 S	6/2015	Chung	
D612,316 S	3/2010	Sanschagrin		D733,023 S	* 6/2015	Ferrett	D12/209
D613,659 S	4/2010	Cortes		D733,027 S	6/2015	Chung	
D617,723 S	6/2010	Zhao		D735,104 S	7/2015	Hodges	
D619,073 S	7/2010	Groom		D739,803 S	9/2015	Miansian	
D620,421 S	* 7/2010	Lamm	D12/209	D742,293 S	11/2015	Chung	
D620,864 S	8/2010	Groom		D748,556 S	2/2016	Pollex	
D620,873 S	8/2010	Groom		D749,030 S	2/2016	Zhao	
D623,109 S	9/2010	Markefka		D749,482 S	2/2016	Schroeder	
D625,235 S	10/2010	Nissl		D750,003 S	2/2016	Ahmad	
D627,697 S	11/2010	Wang		9,266,386 B2	2/2016	Wang	
D635,903 S	4/2011	Zhang		D753,046 S	4/2016	Liffick	
D638,767 S	5/2011	Groom		D755,694 S	5/2016	Pollex	
D651,150 S	12/2011	Blewer		D756,287 S	5/2016	Koglin	
D651,151 S	12/2011	Blewer		D756,882 S	5/2016	Tirado	
D654,007 S	2/2012	Nissl		D759,560 S	* 6/2016	Lu	D12/209
D654,420 S	2/2012	Guay		D764,373 S	8/2016	Pollex	
D660,771 S	5/2012	Mueller-Stolz		D766,805 S	9/2016	Chung	
D666,960 S	9/2012	Chung		D769,166 S	10/2016	Juergens	
D669,009 S	10/2012	Chung		D769,785 S	10/2016	Wells	
D680,938 S	4/2013	Hale		D770,960 S	11/2016	Svensson	
D682,762 S	5/2013	Hale, Jr.		D775,578 S	1/2017	Johnson	
D684,516 S	6/2013	Bennion		D780,655 S	3/2017	Trim	
D686,961 S	7/2013	Chung		D782,950 S	* 4/2017	Hatton	D12/209
D695,193 S	12/2013	Kong		D791,667 S	7/2017	Prasad	
D698,298 S	1/2014	Cortes		D793,318 S	* 8/2017	Guo	D12/209
D698,300 S	1/2014	Chung		D848,337 S	* 5/2019	Tovey	D12/209
				D849,653 S	* 5/2019	Chung	D12/209
				D856,245 S	* 8/2019	Hale, Jr.	D12/209

\* cited by examiner

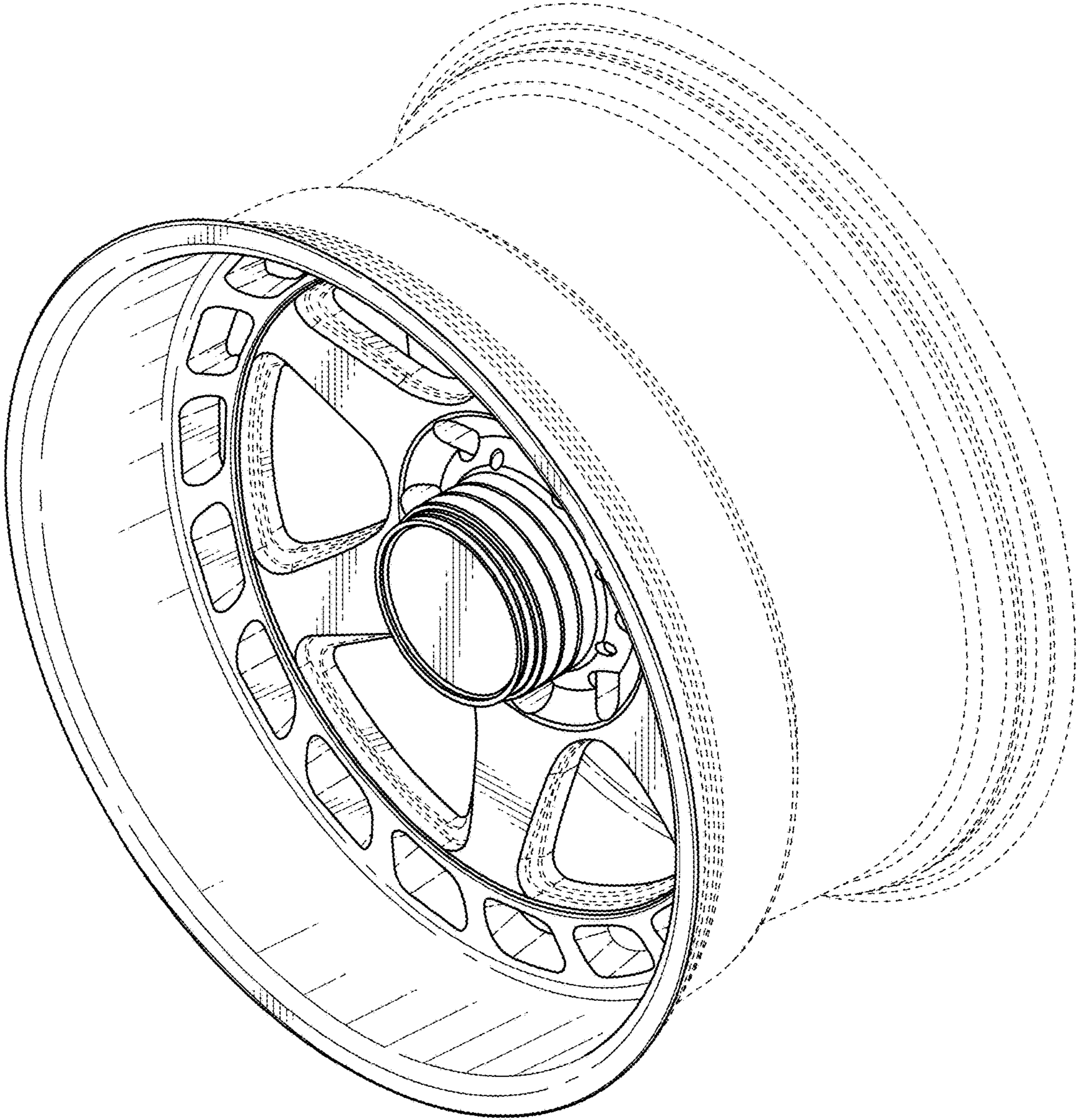


FIG. 1

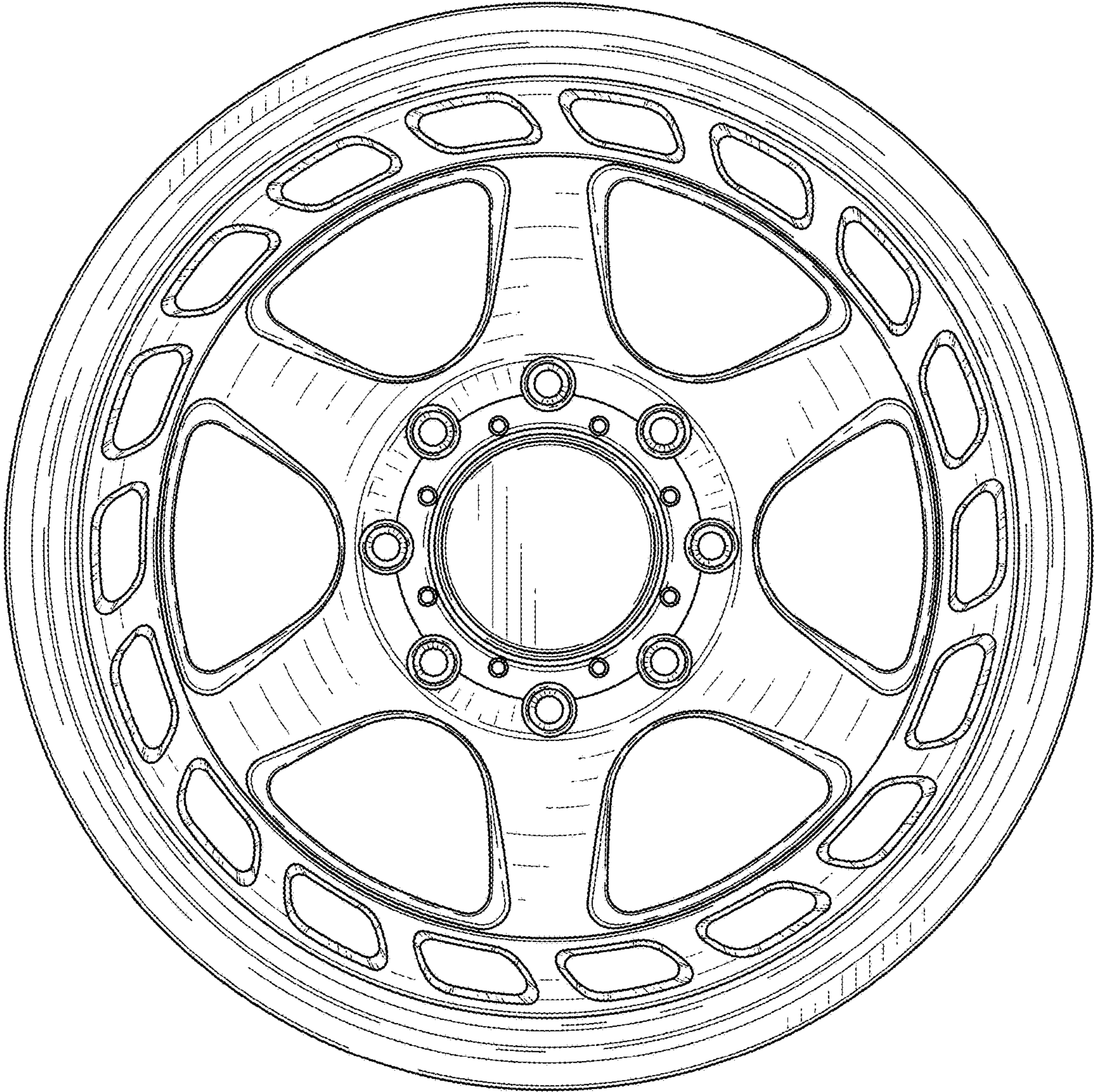


FIG. 2