



US00D865622S

(12) **United States Design Patent**
Han

(10) **Patent No.:** **US D865,622 S**

(45) **Date of Patent:** **** Nov. 5, 2019**

(54) **AUTOMOTIVE WHEEL**

(71) Applicant: **Donnie Han**, Corona, CA (US)

(72) Inventor: **Donnie Han**, Corona, CA (US)

(**) Term: **15 Years**

(21) Appl. No.: **29/665,832**

(22) Filed: **Oct. 8, 2018**

(51) **LOC (12) Cl.** **12-16**

(52) **U.S. Cl.**
USPC **D12/209**

(58) **Field of Classification Search**
USPC D12/204–213; D21/533, 561, 563
CPC B60B 7/00; B60B 7/02; B60B 7/04; B60B
7/06; B60B 3/02; B60B 3/04; B60B 3/06;
B60B 3/10; B60B 1/00; B60B 1/08;
B60B 1/10; B60B 1/12

See application file for complete search history.

(56) **References Cited**

U.S. PATENT DOCUMENTS

D541,202 S *	4/2007	Baumgartner	D12/211
D595,632 S *	7/2009	Hernandez	D12/211
D757,627 S *	5/2016	Chung	D12/211
D760,142 S *	6/2016	Chu	D12/211
D787,408 S *	5/2017	Alfonso	D12/211

D828,799 S *	9/2018	Zschocke	D12/209
D829,628 S *	10/2018	Chung	D12/209
D829,629 S *	10/2018	Chung	D12/209
D830,933 S *	10/2018	Zhao	D12/209
D840,896 S *	2/2019	Schmolz	D12/209
D842,188 S *	3/2019	Han	D12/209
D848,921 S *	5/2019	Licklitter	D12/209
D848,926 S *	5/2019	Tran	D12/209
D851,005 S *	6/2019	Hodges	D12/209
D853,295 S *	7/2019	Han	D12/209
D854,996 S *	7/2019	Chung	D12/209

* cited by examiner

Primary Examiner — Sheryl Lane

Assistant Examiner — Calvin E Vansant

(57) **CLAIM**

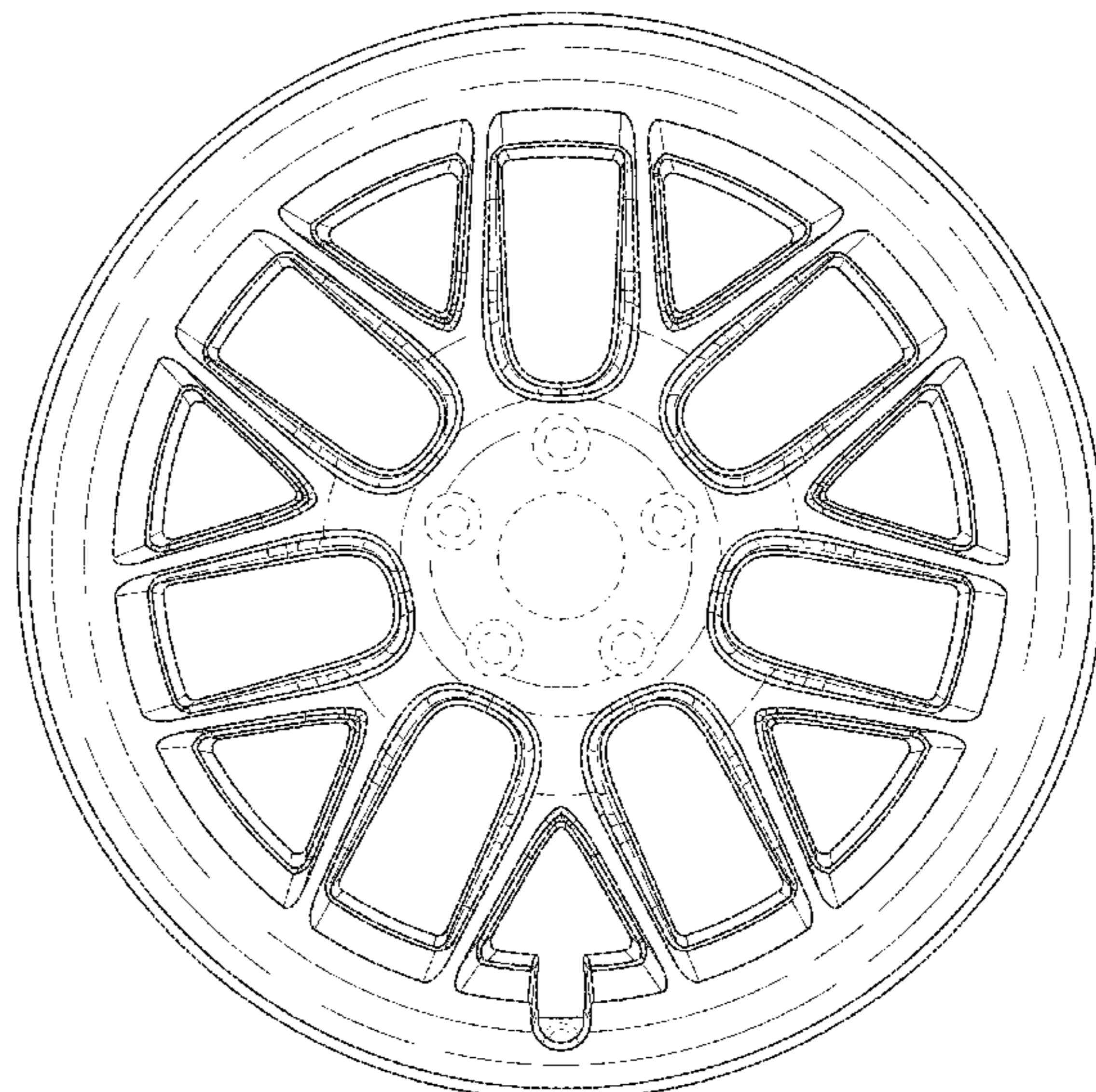
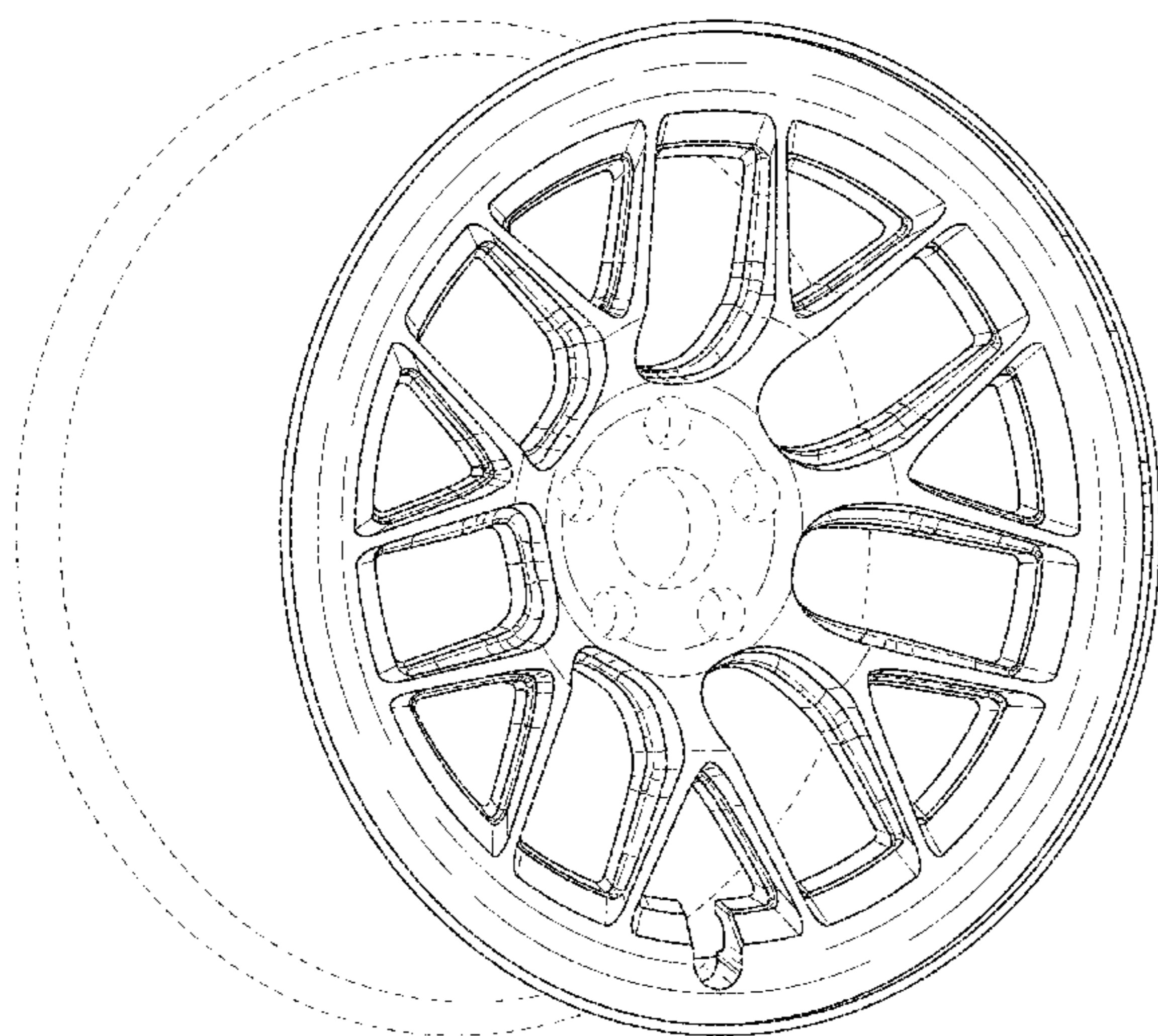
The ornamental design for an automotive wheel, as shown and described.

DESCRIPTION

FIG. 1 is a perspective view of an automobile wheel showing my new design; and, FIG. 2 is a front view thereof.

The broken line showing of the rear portion of the wheel is included for the purpose of illustrating environment and forms no part of the claimed design.

1 Claim, 2 Drawing Sheets



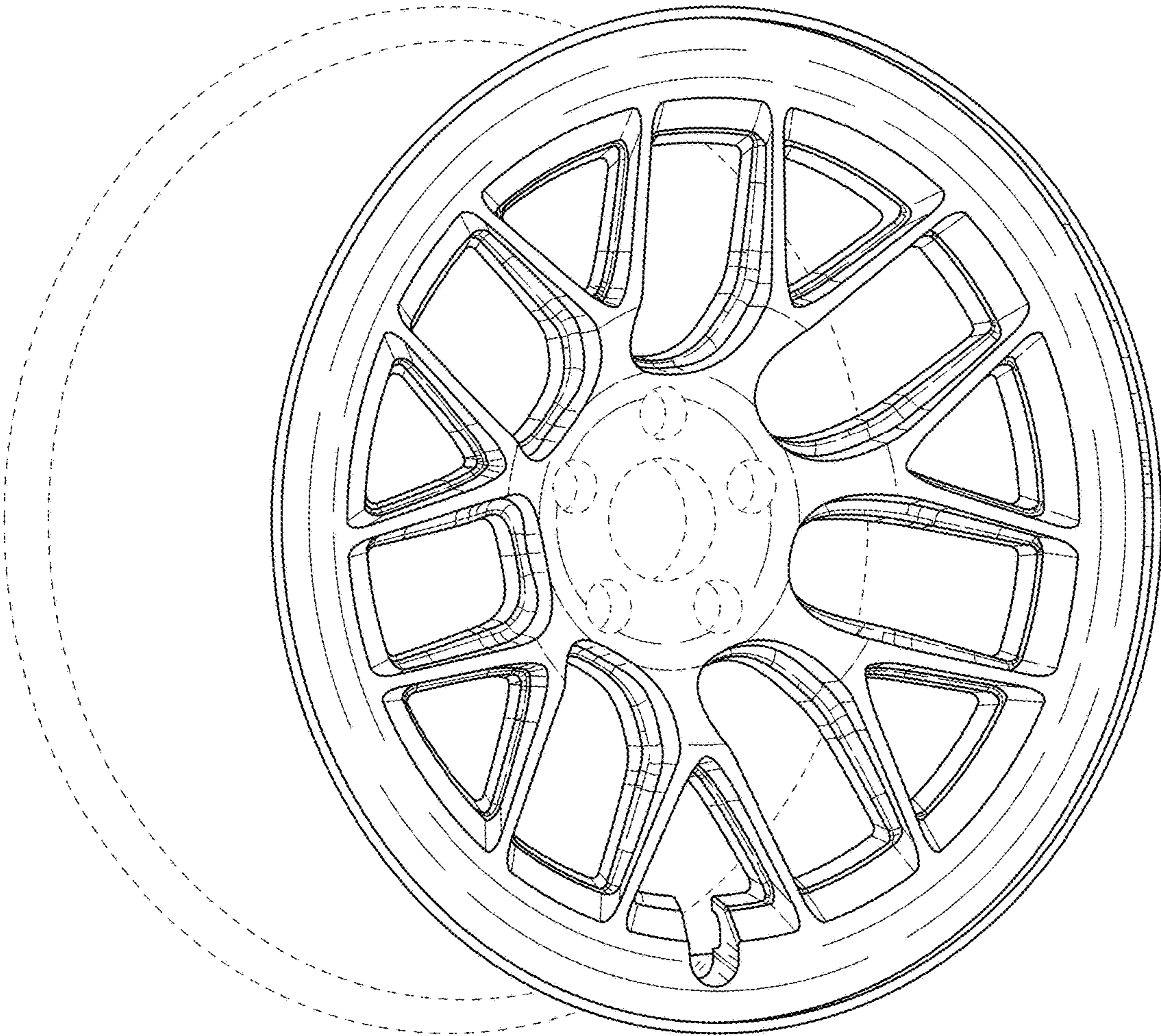


FIGURE 1

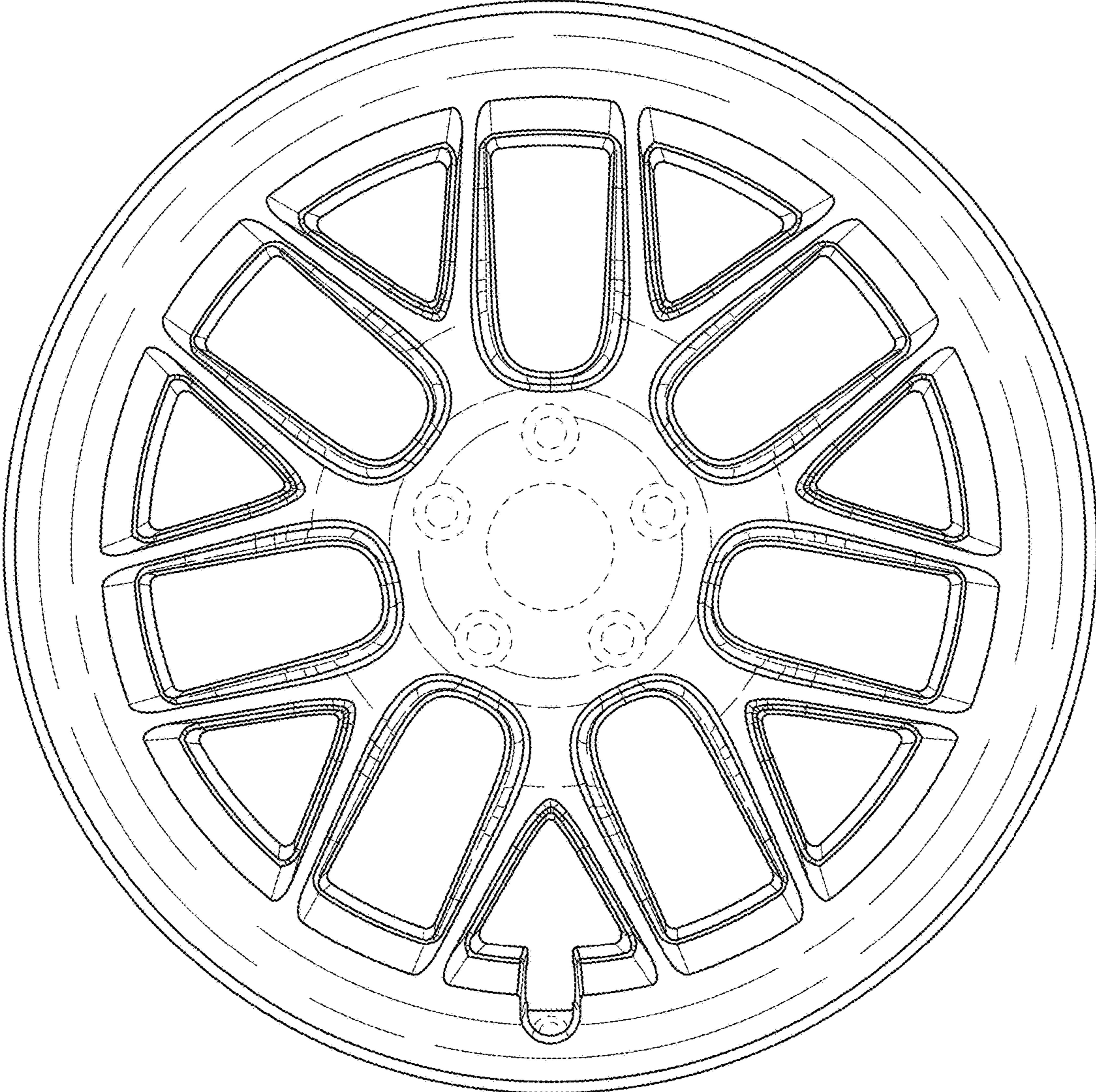


FIGURE 2