



US00D865621S

(12) **United States Design Patent**  
**Han**

(10) **Patent No.:** **US D865,621 S**

(45) **Date of Patent:** **\*\* Nov. 5, 2019**

(54) **AUTOMOTIVE WHEEL**

(71) Applicant: **Donnie Han**, Corona, CA (US)

(72) Inventor: **Donnie Han**, Corona, CA (US)

(\*\*) Term: **15 Years**

(21) Appl. No.: **29/664,359**

(22) Filed: **Sep. 24, 2018**

(51) **LOC (12) Cl.** ..... **12-16**

(52) **U.S. Cl.**  
USPC ..... **D12/209**

(58) **Field of Classification Search**  
USPC ..... D12/204-213; D21/533, 561, 563  
CPC .... B60B 7/00; B60B 7/02; B60B 7/04; B60B  
7/06; B60B 3/02; B60B 3/04; B60B 3/06;  
B60B 3/10; B60B 1/00; B60B 1/08;  
B60B 1/10; B60B 1/12  
See application file for complete search history.

(56) **References Cited**

**U.S. PATENT DOCUMENTS**

D307,737 S \* 5/1990 Boyer ..... D12/209  
D738,279 S \* 9/2015 Dionisopoulos ..... D12/209

D760,140 S \* 6/2016 Chung ..... D12/209  
D824,317 S \* 7/2018 Harriton ..... D12/211  
D830,266 S \* 10/2018 Lickliter ..... D12/209  
D849,657 S \* 5/2019 Kong ..... D12/211  
D856,249 S \* 8/2019 Haney ..... D12/209

\* cited by examiner

*Primary Examiner* — Sheryl Lane  
*Assistant Examiner* — Calvin E Vansant

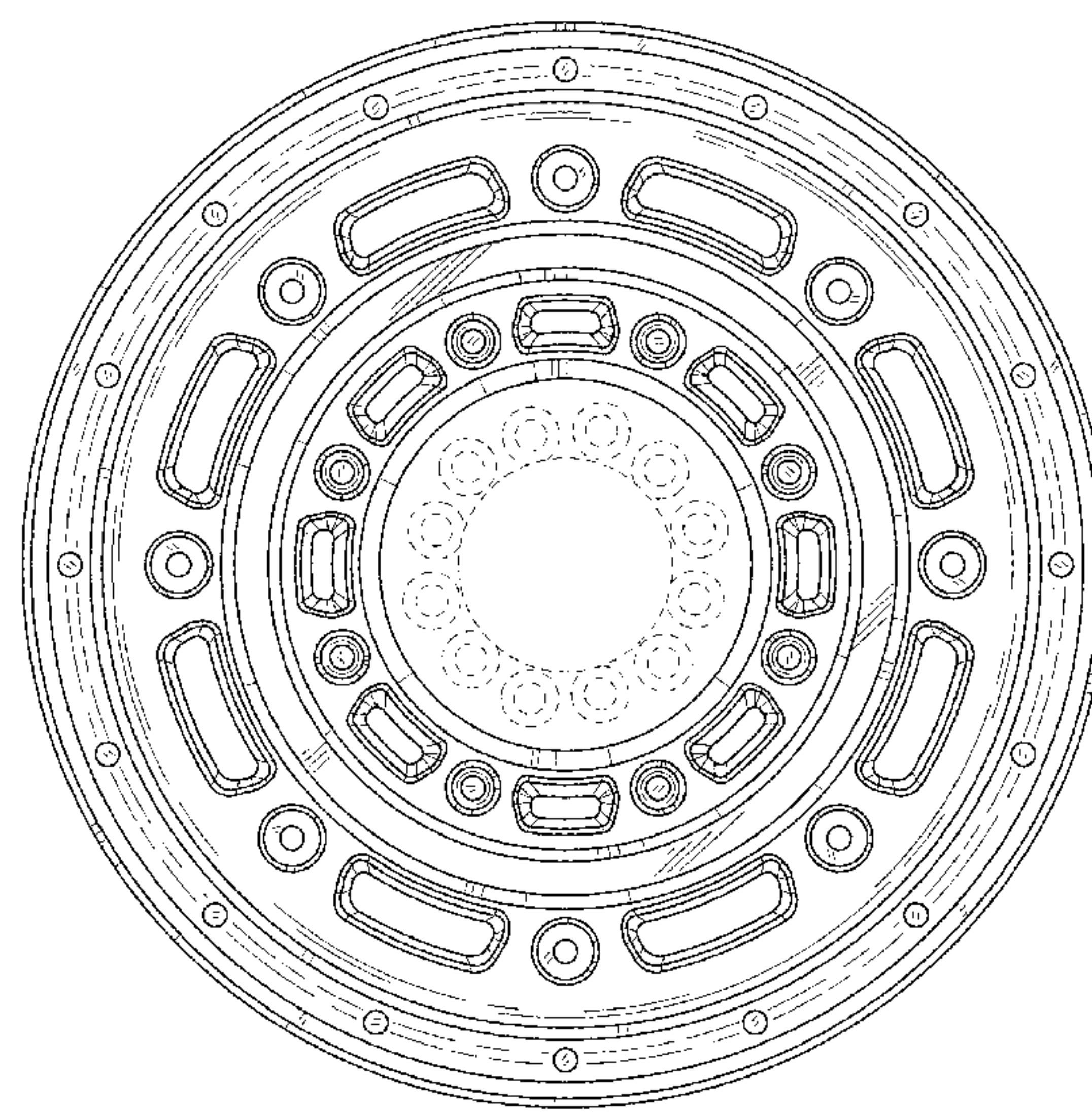
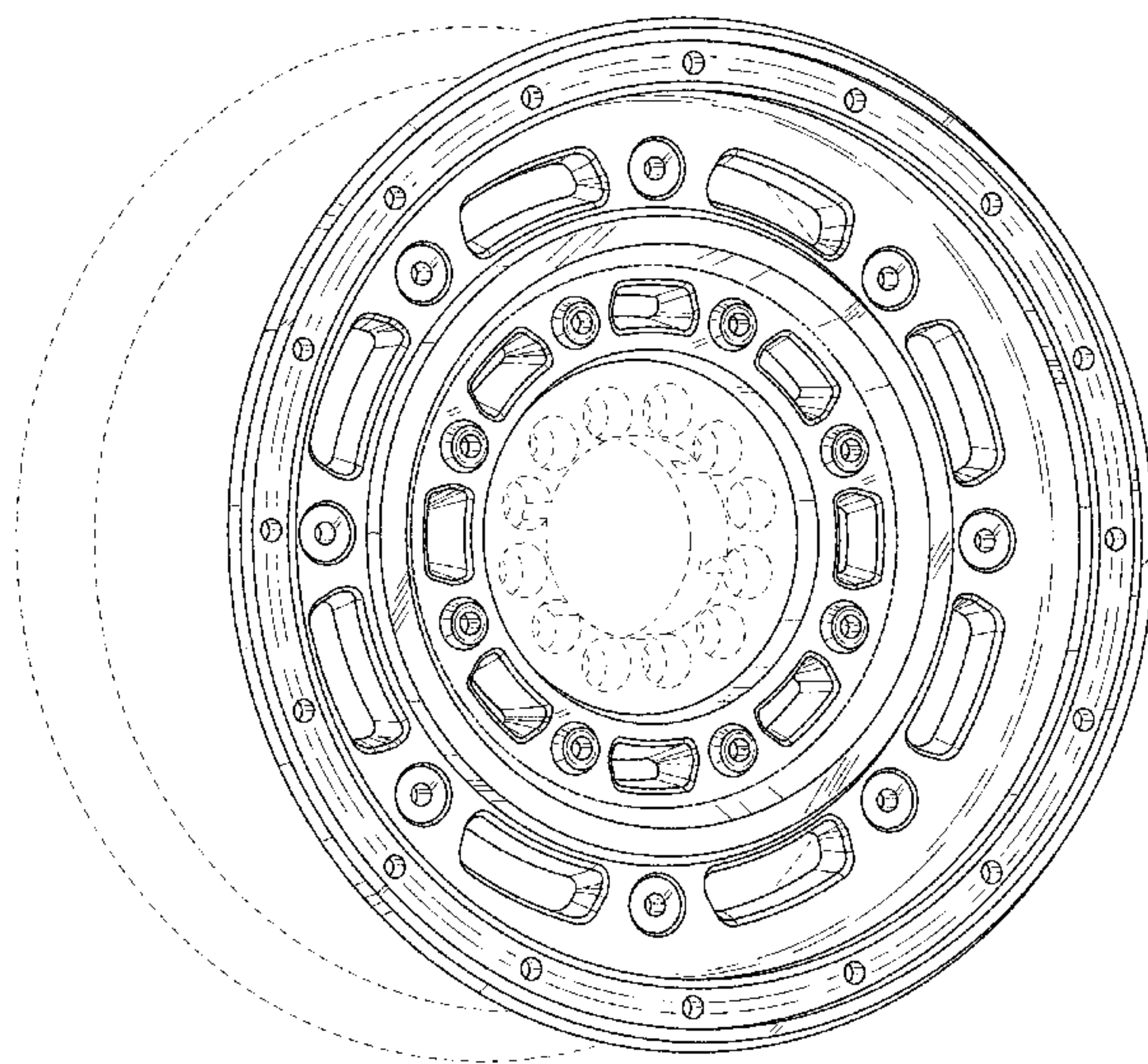
(57) **CLAIM**

The ornamental design for an automotive wheel, as shown and described.

**DESCRIPTION**

FIG. 1 is a perspective view of an automotive wheel, showing my new design; and, FIG. 2 is a front view thereof. The broken line showing of the rear portion of the wheel is included for the purpose of illustrating environment and forms no part of the claimed design.

**1 Claim, 2 Drawing Sheets**



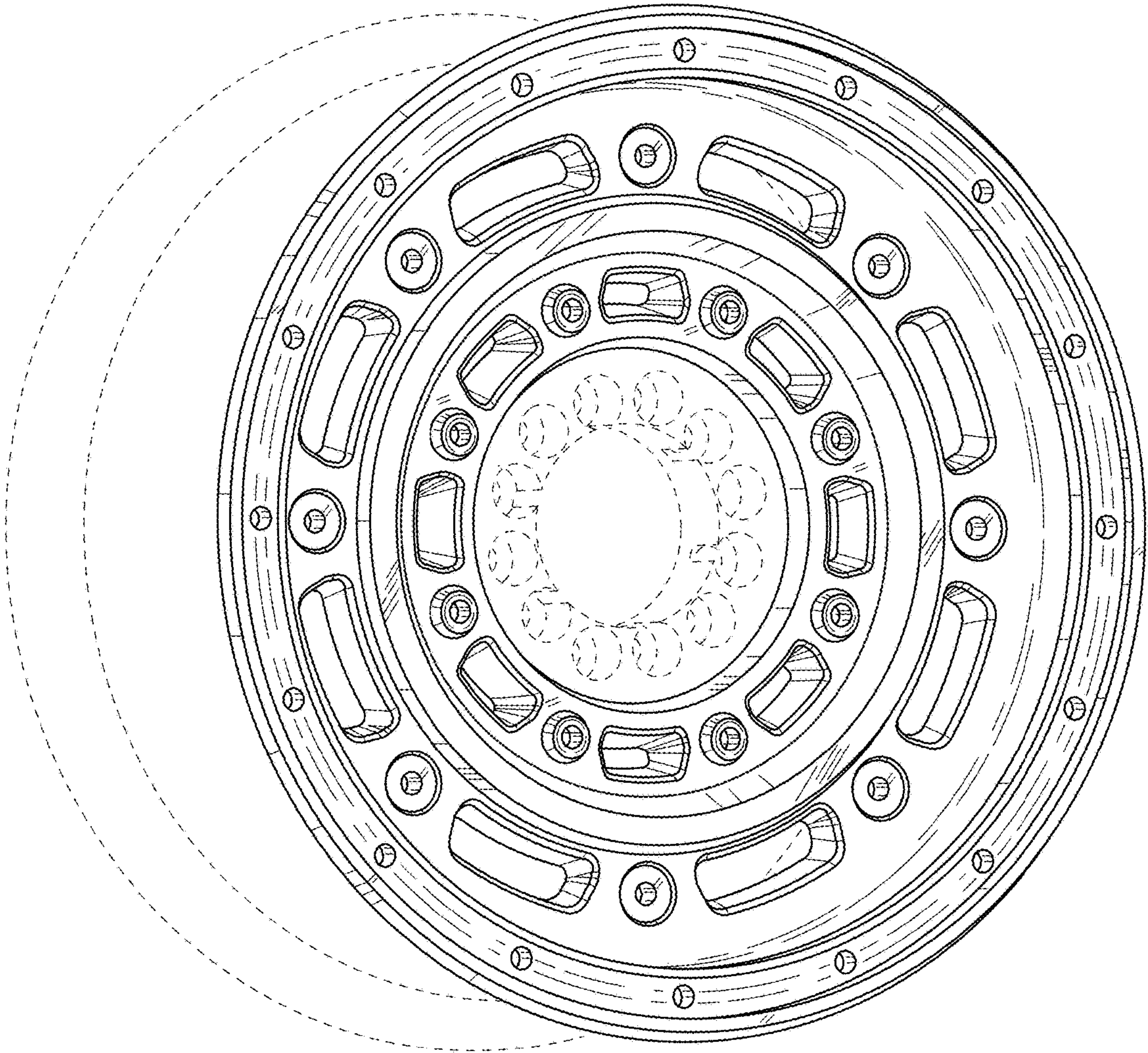


FIGURE 1



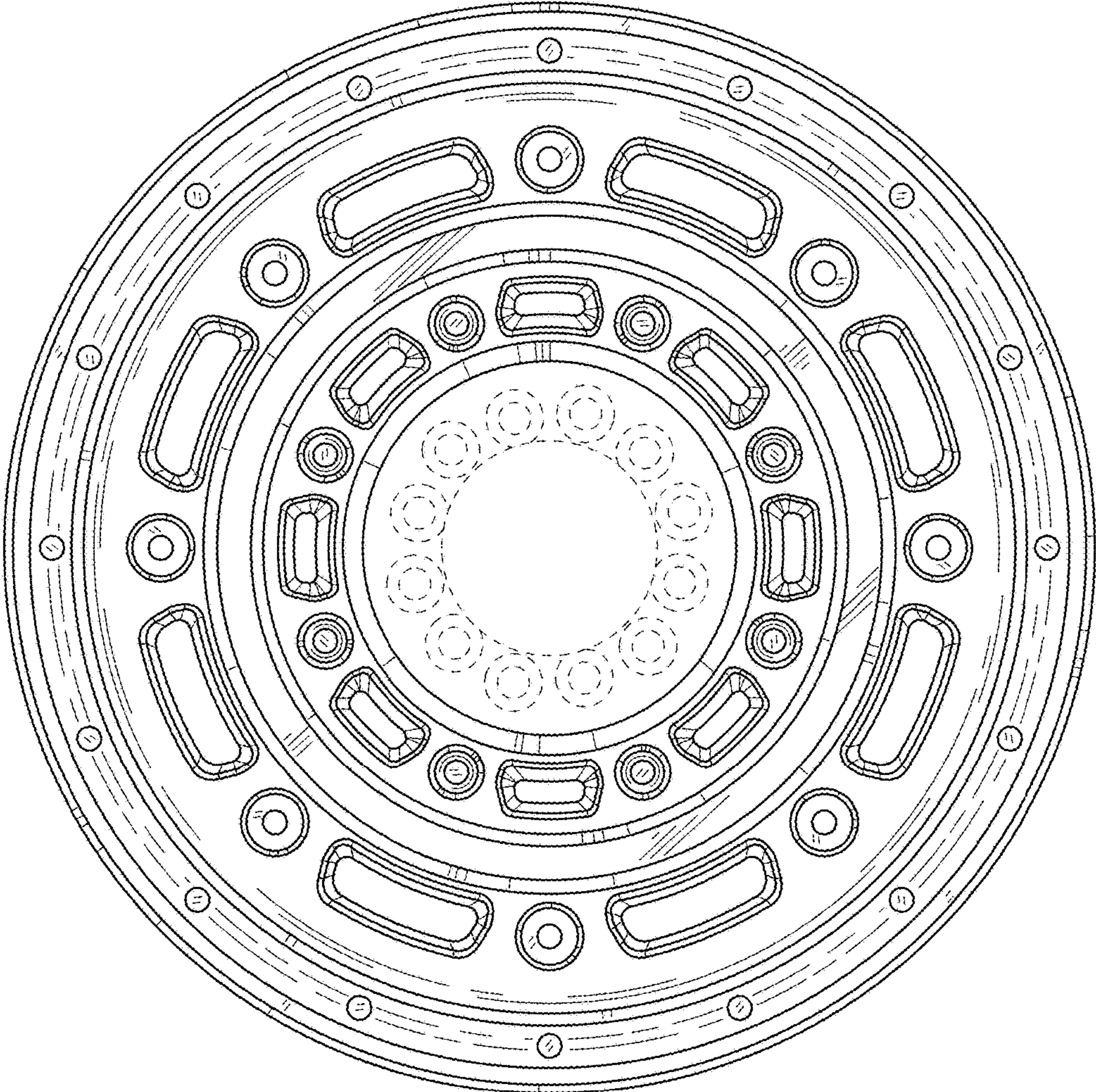


FIGURE 2