



US00D865618S

(12) **United States Design Patent**
O'Neill

(10) **Patent No.:** **US D865,618 S**

(45) **Date of Patent:** **** Nov. 5, 2019**

(54) **WHEEL**

(71) Applicant: **Jaguar Land Rover Limited**, Whitley,
Coventry (GB)

(72) Inventor: **Michael O'Neill**, Coventry (GB)

(73) Assignee: **Jaguar Land Rover Limited**, Whitley,
Coventry (GB)

(**) Term: **15 Years**

(21) Appl. No.: **29/660,972**

(22) Filed: **Aug. 23, 2018**

(30) **Foreign Application Priority Data**

Mar. 13, 2018 (EM) 004753150

(51) **LOC (12) Cl.** **12-16**

(52) **U.S. Cl.**
USPC **D12/209**

(58) **Field of Classification Search**
USPC D12/204–213
CPC B60B 7/00; B60B 7/02; B60B 7/04; B60B
7/01; B60B 7/06; B60B 3/02; B60B 3/04;
B60B 3/06; B60B 3/10; B60B 1/00;
B60B 1/08; B60B 1/10; B60B 1/12
See application file for complete search history.

(56) **References Cited**

U.S. PATENT DOCUMENTS

D445,078 S * 7/2001 Chung D12/209
D469,729 S * 2/2003 Brintouch D12/209

D475,669 S * 6/2003 Boyer D12/209
D504,647 S * 5/2005 Leclercq D12/209
D544,427 S * 6/2007 Pfeiffer D12/211
D592,578 S * 5/2009 Chung D12/209
D621,766 S * 8/2010 Antoniadis D12/209
D657,727 S * 4/2012 Fetherston D12/209
D659,064 S * 5/2012 Johnson D12/209
D667,767 S * 9/2012 Gotschke D12/209
D670,222 S * 11/2012 Chung D12/209
D690,642 S * 10/2013 Kito D12/209
D716,212 S * 10/2014 Bildhaeuser D12/209
D739,327 S * 9/2015 Wagener D12/209
D751,018 S * 3/2016 Platto D12/209
D790,420 S * 6/2017 Peat D12/209
D790,425 S * 6/2017 Johnson D12/209
D805,454 S * 12/2017 Kong D12/209
D814,380 S * 4/2018 O'Neill D12/209
D823,776 S * 7/2018 Glover D12/211

* cited by examiner

Primary Examiner — Stacia A Cadmus

(74) *Attorney, Agent, or Firm* — Wood Herron & Evans
LLP

(57) **CLAIM**

The ornamental design for a wheel, as shown and described.

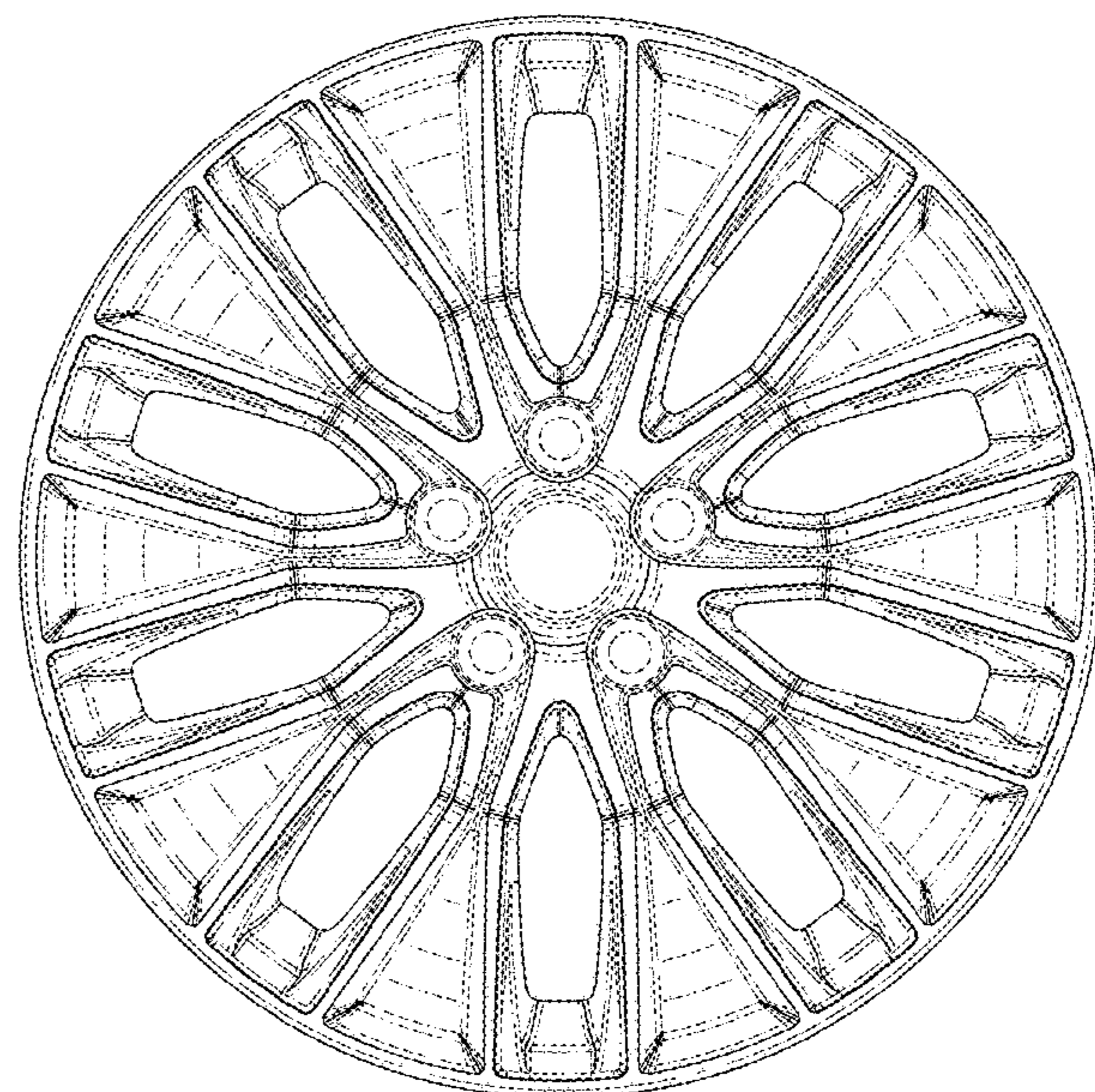
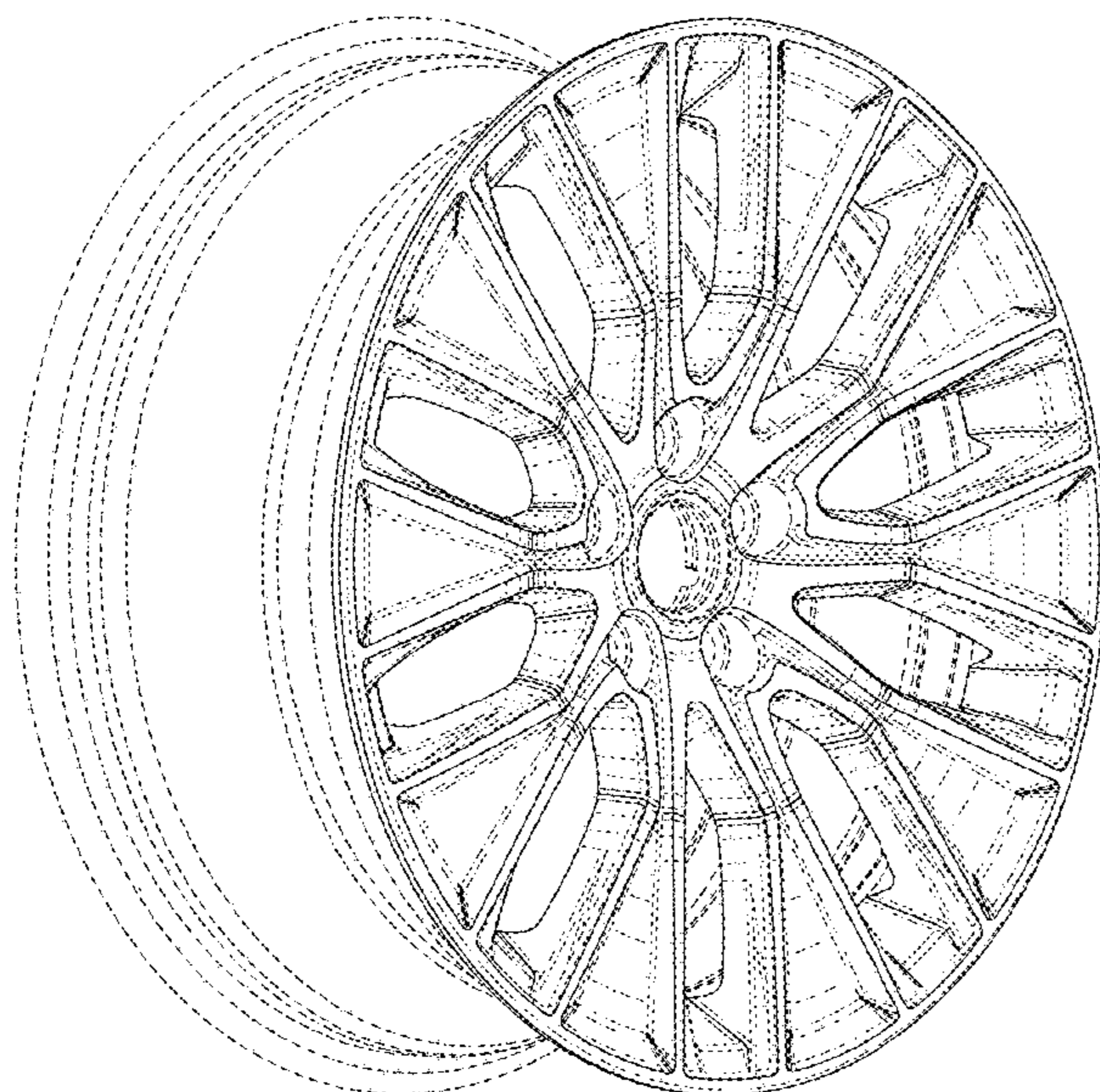
DESCRIPTION

FIG. 1 is a front left perspective view of a wheel according to the present invention.

FIG. 2 is a front view of the wheel shown in FIG. 1; and, FIG. 3 is a left side view thereof, the right side view being a mirror image thereof.

The broken lines form no part of the claimed design, but are instead included to show environmental structure.

1 Claim, 3 Drawing Sheets



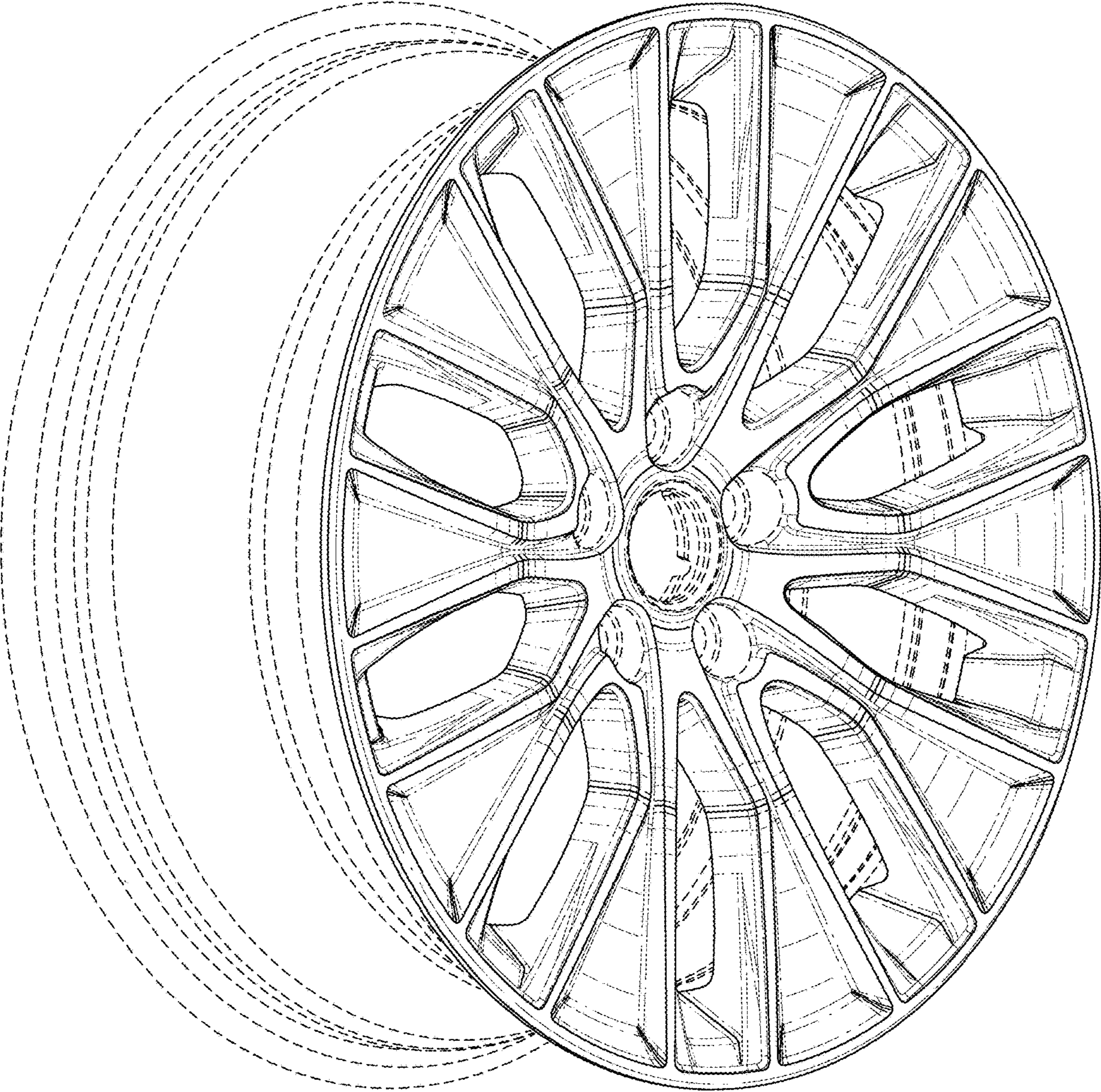


FIG. 1

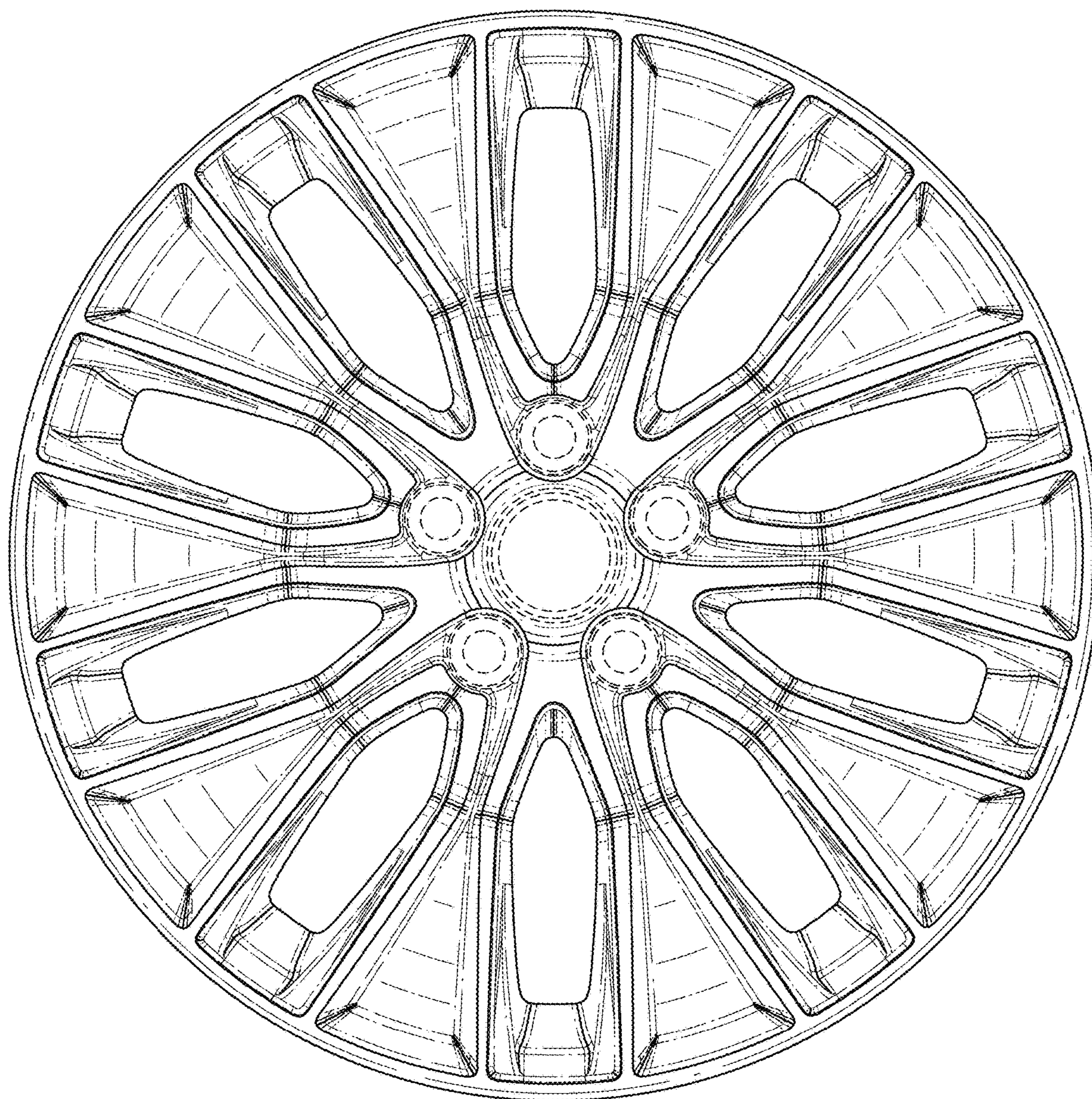


FIG. 2

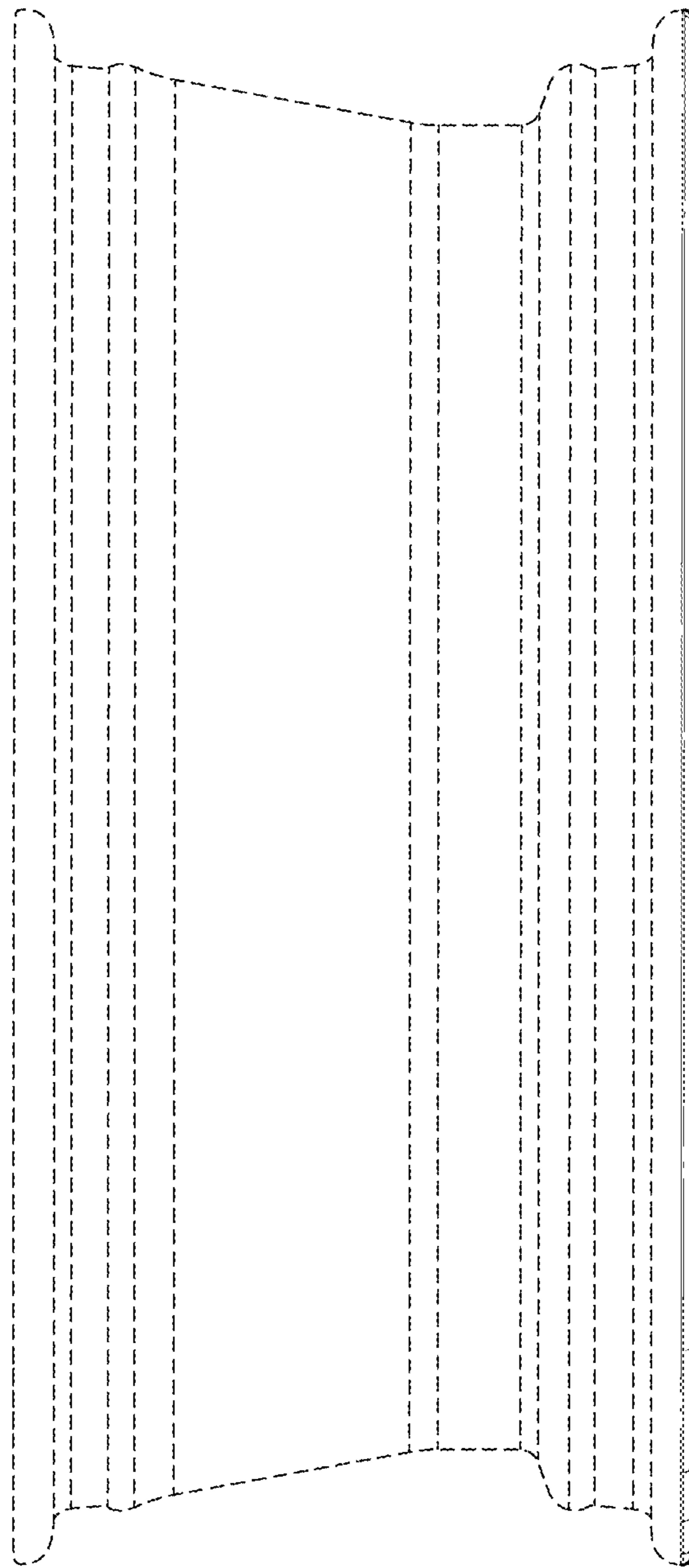


FIG. 3