



US00D865617S

(12) **United States Design Patent**
Hahn

(10) **Patent No.:** **US D865,617 S**

(45) **Date of Patent:** **** Nov. 5, 2019**

(54) **WHEEL**

(71) Applicant: **Vorsteiner North America**, Irvine, CA (US)

(72) Inventor: **Carol Hahn**, Garden Grove, CA (US)

(**) Term: **15 Years**

(21) Appl. No.: **29/657,118**

(22) Filed: **Jul. 19, 2018**

(51) **LOC (12) Cl.** **12-16**

(52) **U.S. Cl.**
USPC **D12/209**

(58) **Field of Classification Search**
USPC D12/204–213
CPC B60B 7/00; B60B 7/02; B60B 7/04; B60B 7/01; B60B 7/06; B60B 3/02; B60B 3/04; B60B 3/06; B60B 3/10; B60B 1/00; B60B 1/08; B60B 1/10; B60B 1/12

See application file for complete search history.

D726,621 S *	4/2015	Alfonso	D12/209
D727,829 S	4/2015	Chung		
D736,135 S	8/2015	Grake et al.		
D746,210 S	12/2015	Dilber et al.		
D747,251 S *	1/2016	Hammoud	D12/209
D754,051 S	4/2016	Baum		
D756,876 S *	5/2016	Rueckheim	D12/209
D763,163 S	8/2016	Chung		
D763,772 S	8/2016	Chung		
D778,222 S	2/2017	Chung		
D780,664 S	3/2017	Gellert		
D784,897 S *	4/2017	Zhao	D12/211
D787,412 S *	5/2017	Alfonso	D12/211
D792,827 S *	7/2017	Chung	D12/209
D797,028 S	9/2017	Chung		
D800,631 S	10/2017	Krause et al.		
D800,632 S	10/2017	Gonser		
D801,250 S *	10/2017	Chung	D12/209
D811,980 S	3/2018	Chung		
D812,541 S	3/2018	Chung		
D823,774 S *	7/2018	Groth	D12/209
D825,428 S	8/2018	Myrberg		
D826,819 S *	8/2018	Chung	D12/209
D829,628 S *	10/2018	Chung	D12/209
D829,629 S *	10/2018	Chung	D12/209
D830,931 S *	10/2018	Factor	D12/209

(Continued)

(56) **References Cited**

U.S. PATENT DOCUMENTS

D463,769 S	10/2002	Chung		
D514,496 S	2/2006	Neeper		
D516,984 S *	3/2006	Hernandez	D12/209
D527,335 S	8/2006	Kim		
D535,606 S	1/2007	Hernandez		
D548,165 S	8/2007	Young		
D569,778 S	5/2008	Kim		
D579,399 S	10/2008	Schweizer		
D590,315 S	4/2009	Chung		
D603,779 S	11/2009	Futschik et al.		
D615,018 S	5/2010	Truebsbach		
D649,921 S *	12/2011	Lucaora	D12/209
D652,362 S *	1/2012	Lucaora	D12/209
D675,554 S	2/2013	Nissl		
D718,203 S *	11/2014	Whyte	D12/209

Primary Examiner — Stacia A Cadmus

(74) *Attorney, Agent, or Firm* — Ravi Mohan; Rutan & Tucker, LLP

(57) **CLAIM**

The ornamental design for a wheel, as shown and described.

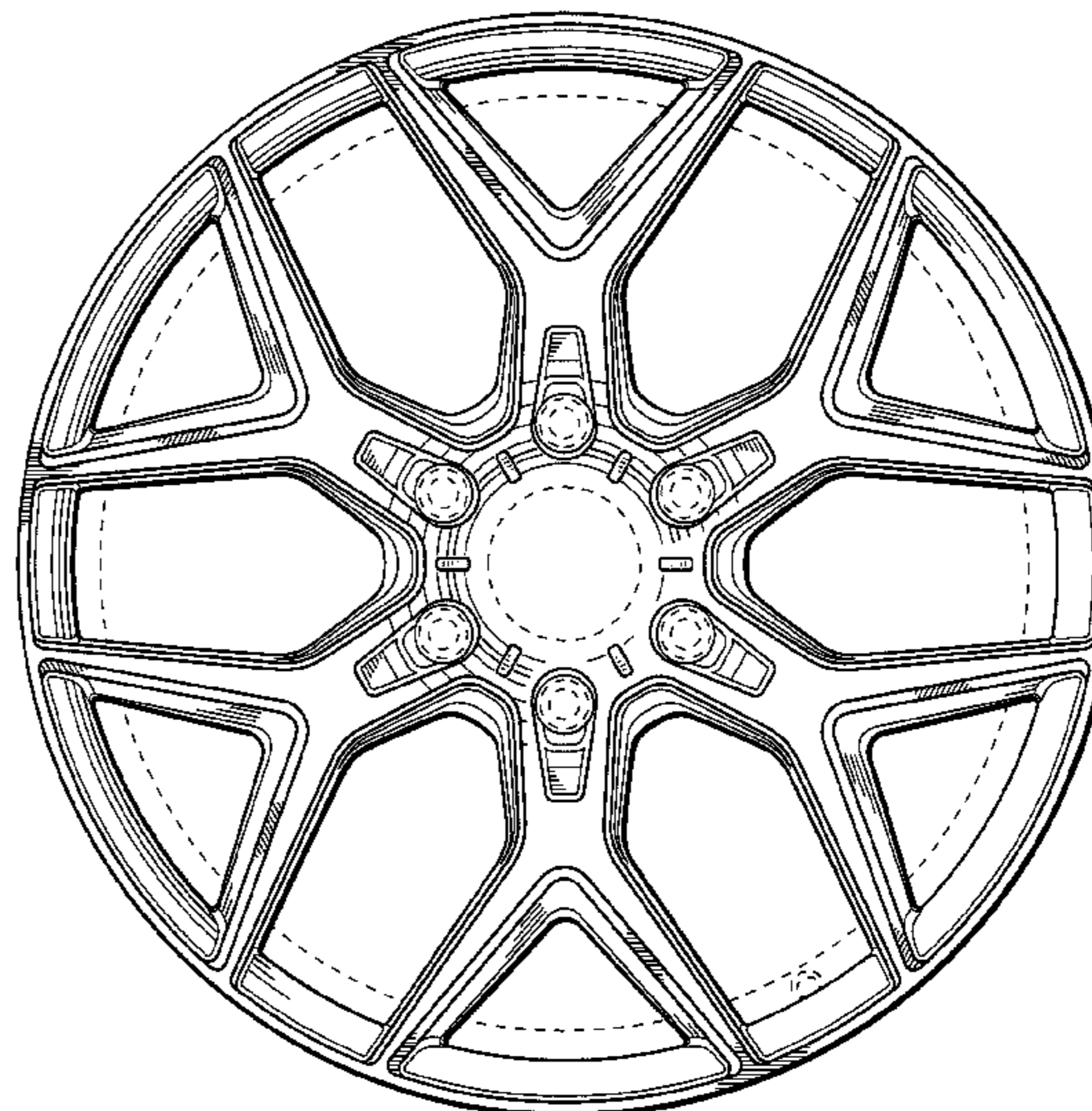
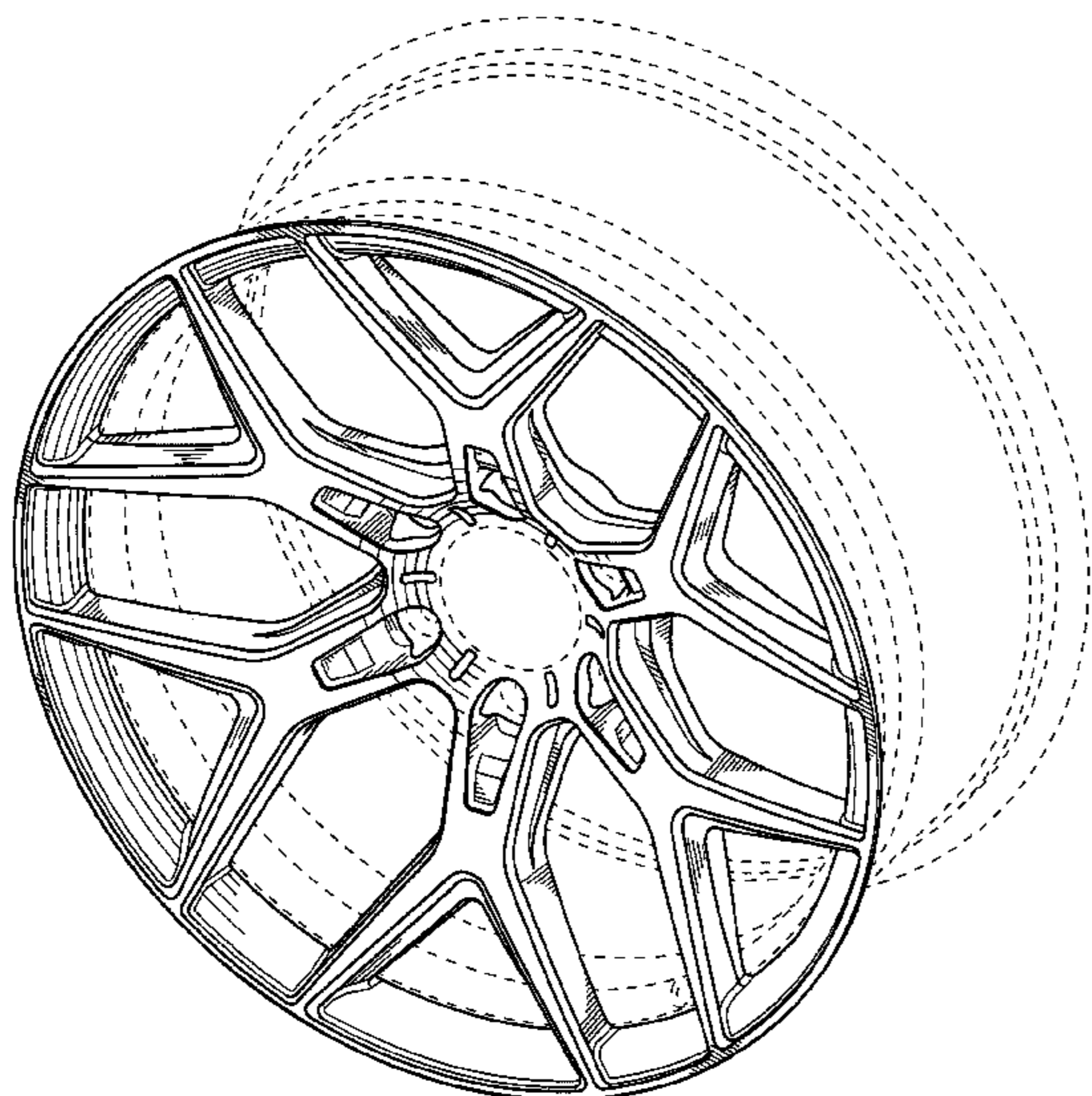
DESCRIPTION

FIG 1 is a perspective view of a wheel, showing my new design; and,

FIG. 2 is a front view thereof.

In the drawings the broken lines depict environmental subject matter and form no part of the claimed design.

1 Claim, 2 Drawing Sheets



(56)

References Cited

U.S. PATENT DOCUMENTS

D832,176 S	*	10/2018	Chung	D12/209
D832,763 S	*	11/2018	Han	D12/209
D833,950 S		11/2018	Sempek	
D837,711 S	*	1/2019	Chung	D12/209
D839,813 S	*	2/2019	Zhen	D12/209
D840,892 S		2/2019	Chung	
D842,196 S		3/2019	Han	
D842,202 S	*	3/2019	Han	D12/209
D842,204 S	*	3/2019	Khachatryan	D12/209
D843,302 S	*	3/2019	Khachatryan	D12/209
D844,527 S	*	4/2019	Licklitter	D12/209
D845,862 S		4/2019	Kong	
D849,651 S	*	5/2019	Lee	D12/209

* cited by examiner

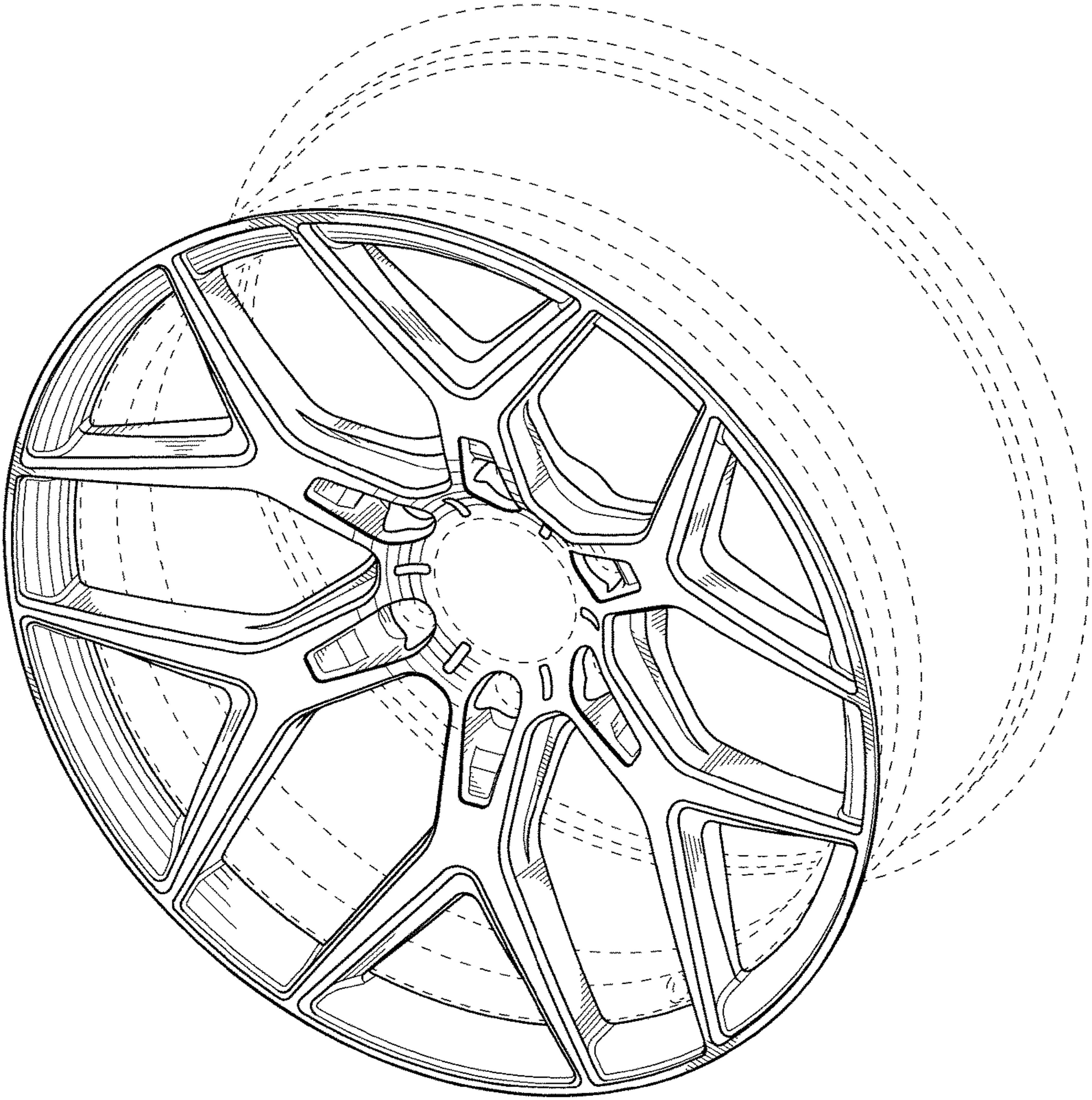


FIG. 1

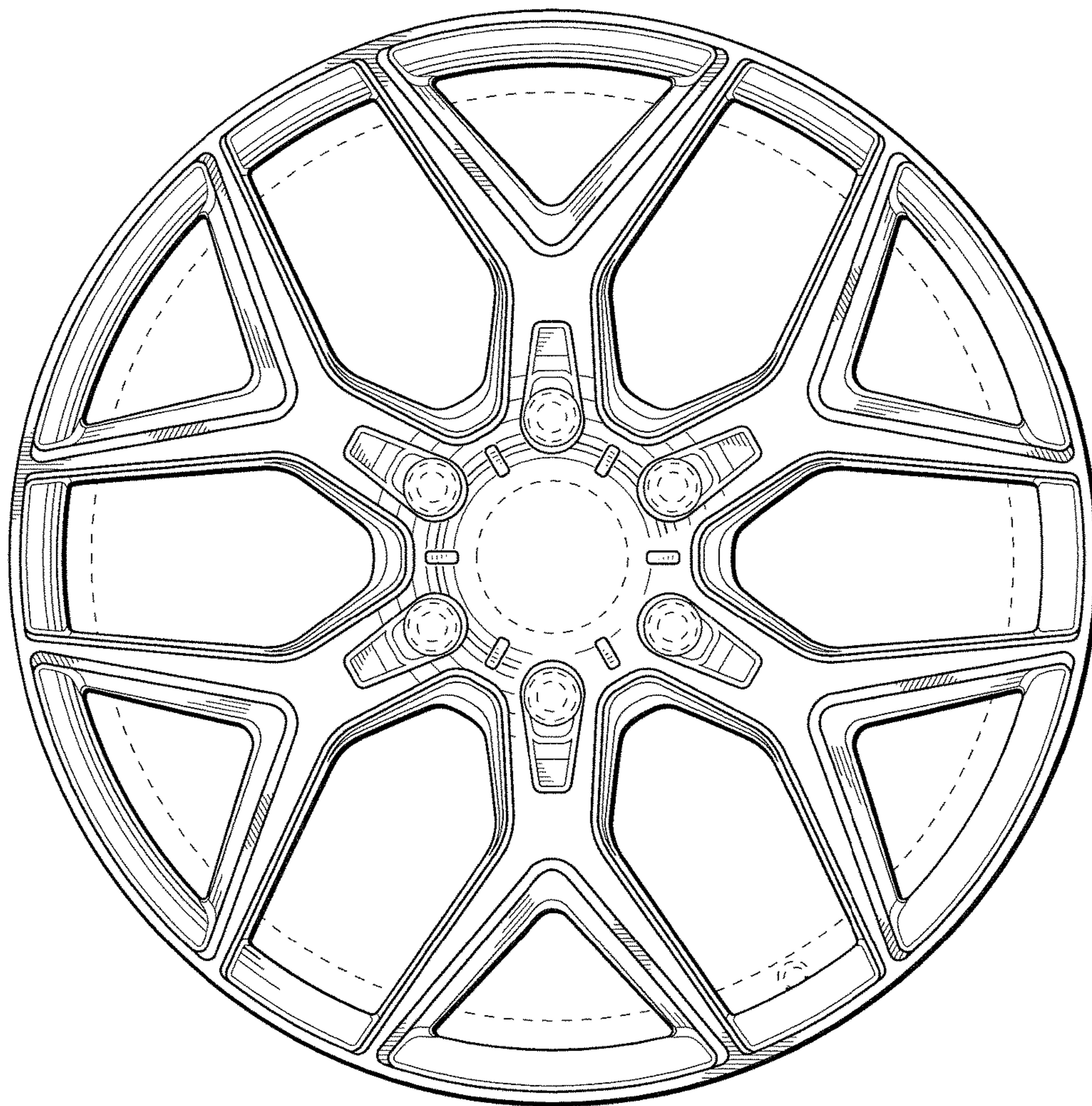


FIG. 2