



US00D865615S

(12) **United States Design Patent**
Tran

(10) **Patent No.:** **US D865,615 S**

(45) **Date of Patent:** **** Nov. 5, 2019**

(54) **WHEEL**

(71) Applicant: **Wheel Pros, LLC**, Greenwood Village,
CO (US)

(72) Inventor: **Peter Tran**, Buena Park, CA (US)

(**) Term: **15 Years**

(21) Appl. No.: **29/650,272**

(22) Filed: **Jun. 5, 2018**

(51) **LOC (12) Cl.** **12-16**

(52) **U.S. Cl.**
USPC **D12/209**

(58) **Field of Classification Search**
USPC D12/204–213
CPC B60B 7/00; B60B 7/02; B60B 7/04; B60B
7/01; B60B 7/06; B60B 3/02; B60B 3/04;
B60B 3/06; B60B 3/10; B60B 1/00;
B60B 1/08; B60B 1/10; B60B 1/12
See application file for complete search history.

(56) **References Cited**

U.S. PATENT DOCUMENTS

D416,534 S	*	11/1999	Couzyn	D12/211
D433,987 S	*	11/2000	Couzyn	D12/211
D450,030 S	*	11/2001	Pfeiffer	D12/211
D548,167 S	*	8/2007	Groom	D12/211
D582,830 S	*	12/2008	Musser	D12/211
D691,542 S	*	10/2013	Chan	D12/209
D698,300 S	*	1/2014	Chung	D12/211

D706,196 S	*	6/2014	Lee	D12/211
D712,334 S	*	9/2014	Hale, Jr.	D12/211
D717,224 S	*	11/2014	Kim	D12/211
D721,318 S	*	1/2015	Kim	D12/211
D722,937 S	*	2/2015	Johnson	D12/209
D751,481 S	*	3/2016	Chung	D12/209
D758,947 S	*	6/2016	Zhao	D12/211
D765,574 S	*	9/2016	Hale, Jr.	D12/211
D776,597 S	*	1/2017	Zhao	D12/211
D780,662 S	*	3/2017	Zhao	D12/211
D786,160 S	*	5/2017	Youssef	D12/211
D803,753 S	*	11/2017	Zhao	D12/211
D813,137 S	*	3/2018	Sempek	D12/209
D823,775 S	*	7/2018	Sempek	D12/211
D830,278 S	*	10/2018	Aslam	D12/213
D834,483 S	*	11/2018	Johnson	D12/209
D857,595 S	*	8/2019	Luo	D12/211

* cited by examiner

Primary Examiner — Stacia A Cadmus

(74) *Attorney, Agent, or Firm* — Eric Hanscom

(57) **CLAIM**

The ornamental design for a wheel, as shown and described.

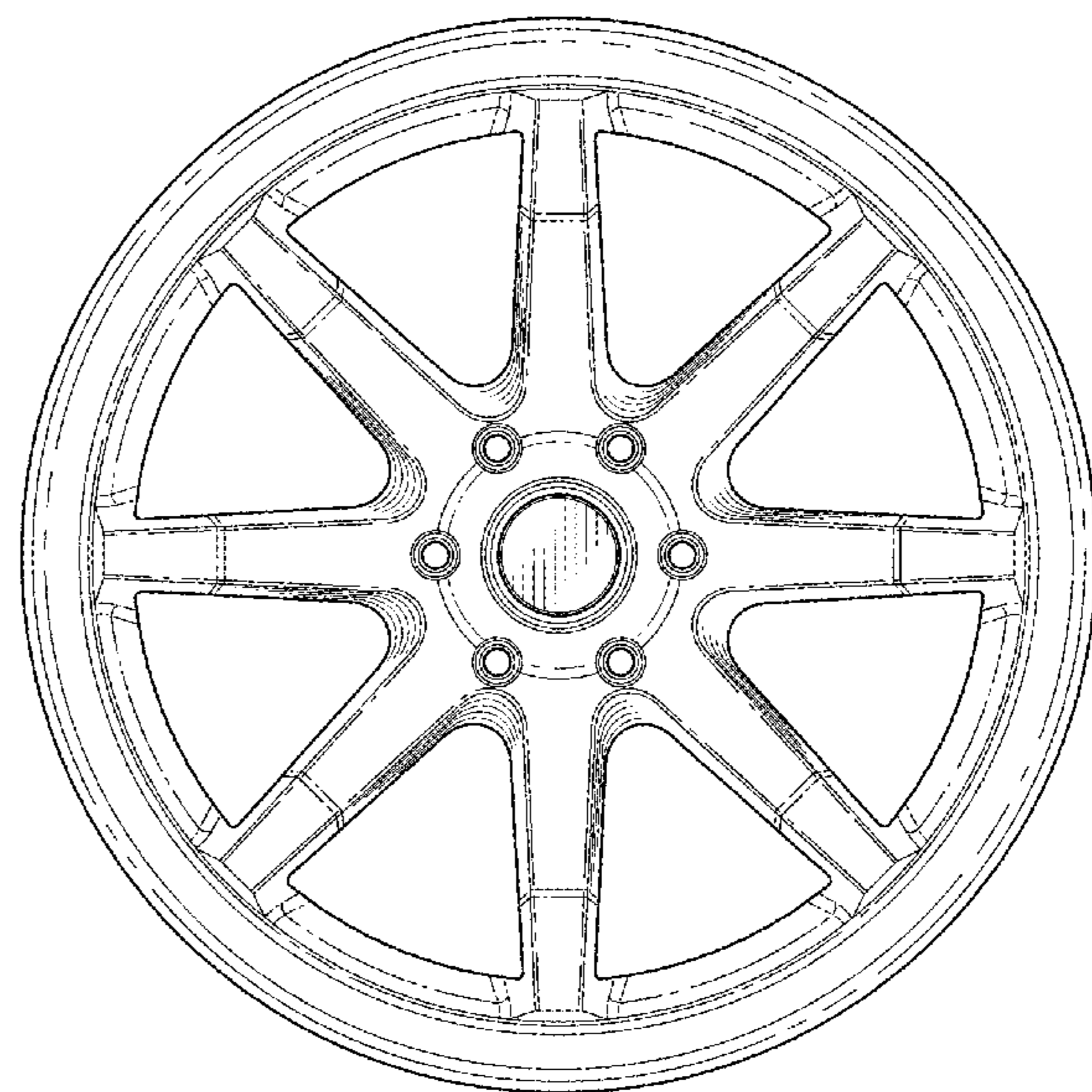
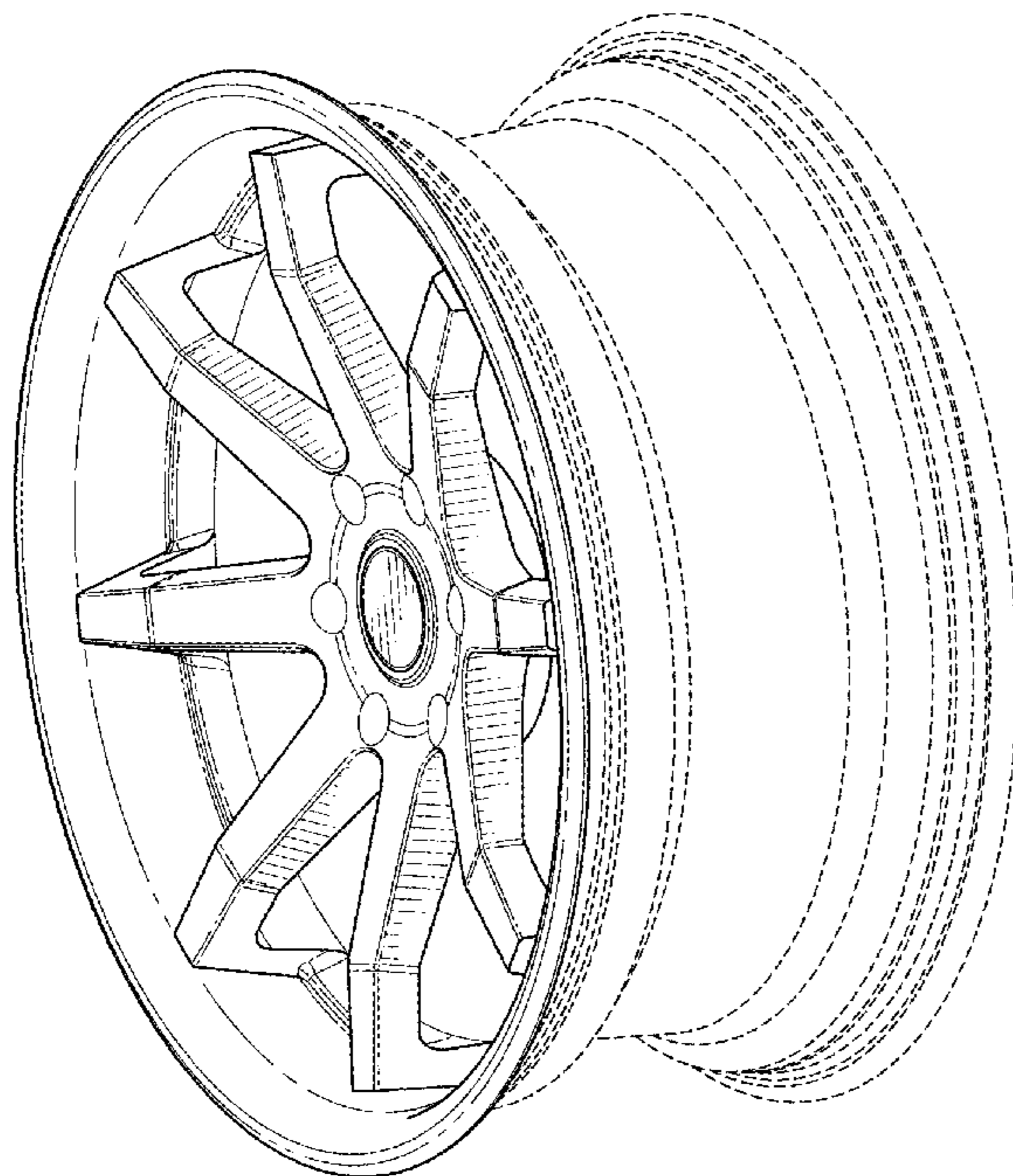
DESCRIPTION

FIG. 1 is a perspective view of a wheel showing my new design; and,

FIG. 2 is a front view thereof.

In the drawings, broken lines shown in the drawings depict environmental subject matter only and form no part of the claimed design.

1 Claim, 2 Drawing Sheets



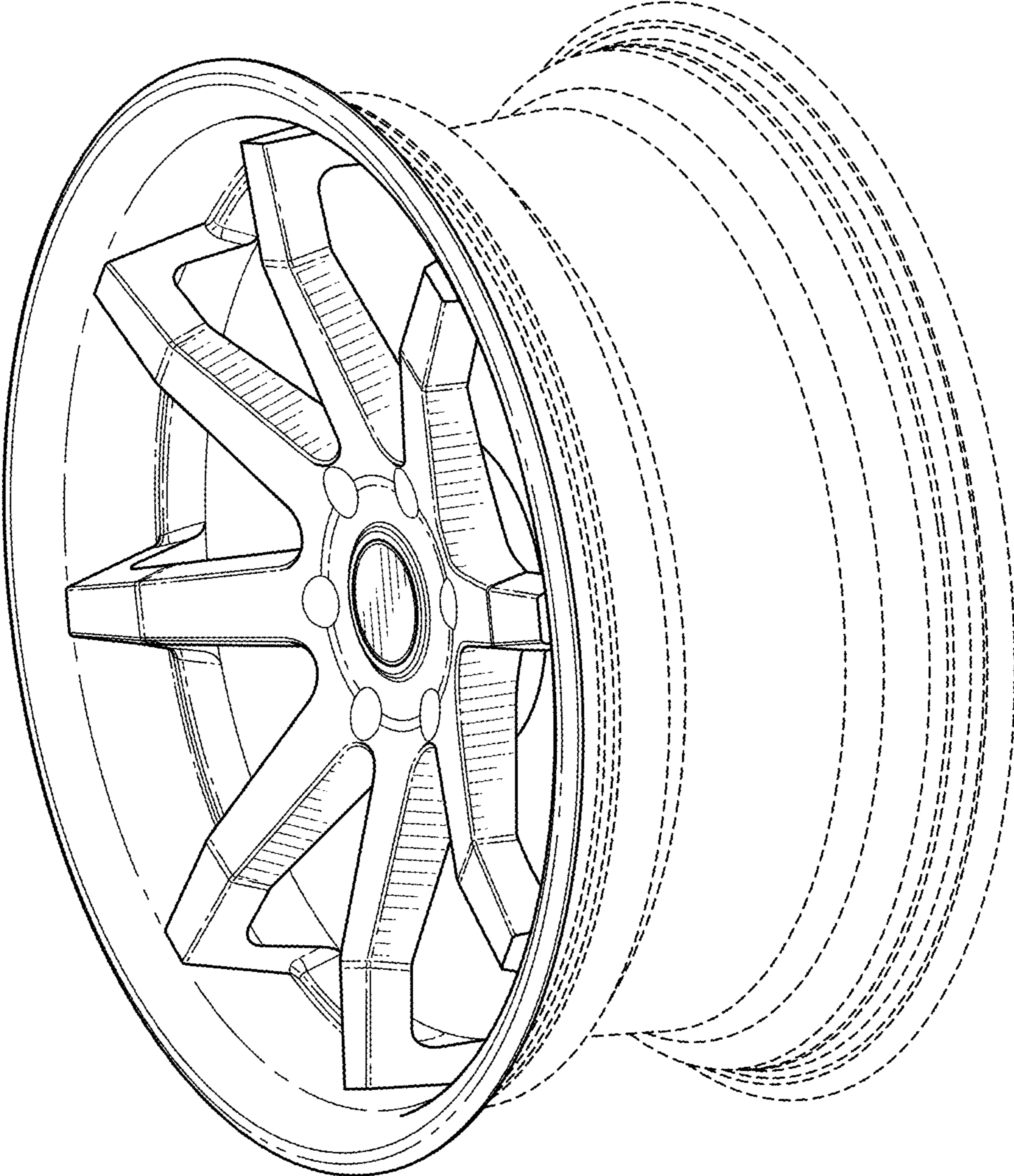


FIG. 1

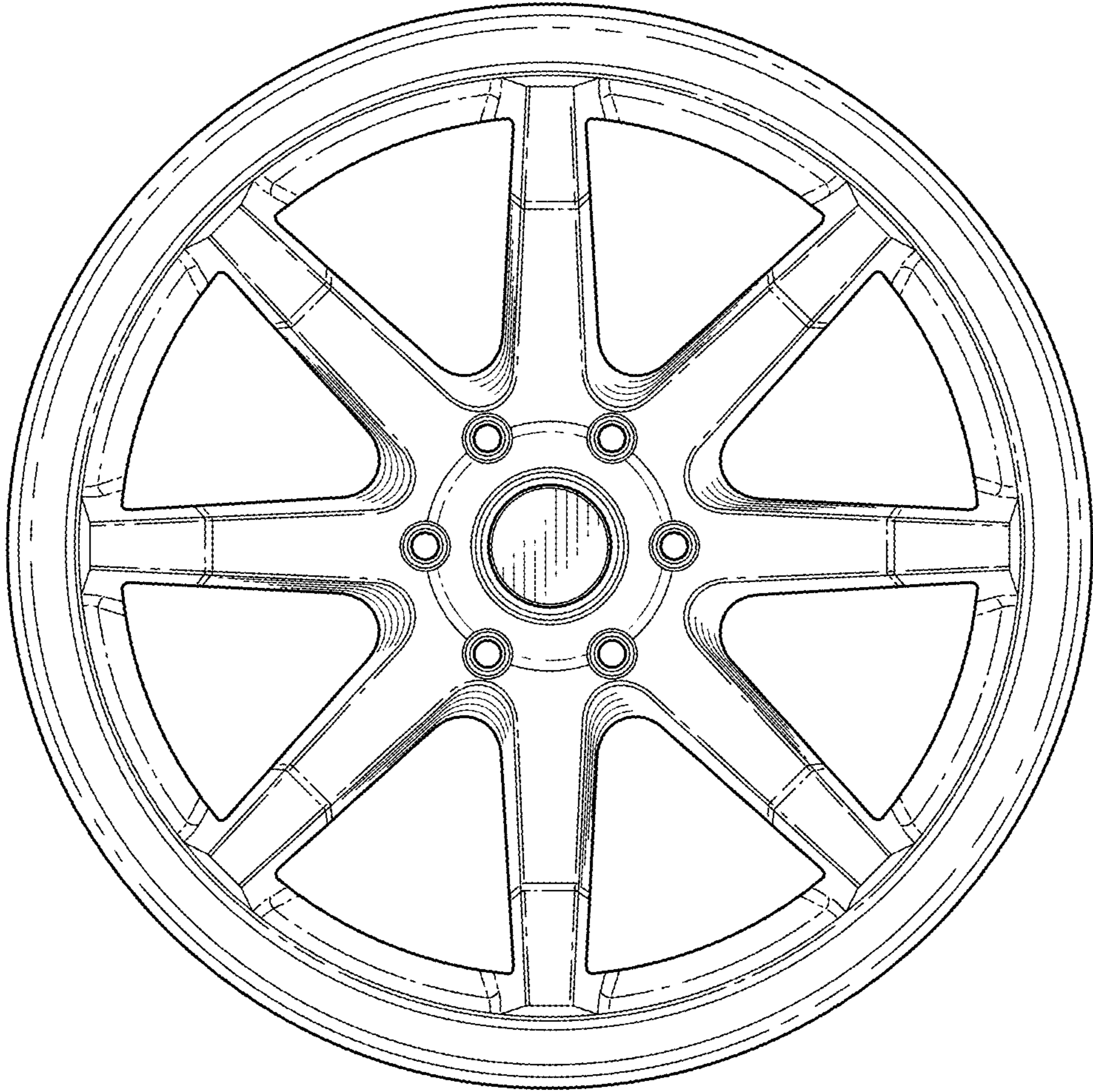


FIG. 2