



US00D865614S

(12) **United States Design Patent**  
**Melikian**

(10) **Patent No.:** **US D865,614 S**

(45) **Date of Patent:** **\*\* Nov. 5, 2019**

- (54) **WHEEL**
- (71) Applicant: **HONDA MOTOR CO., LTD.**,  
Minato-ku, Tokyo (JP)
- (72) Inventor: **Lili Melikian**, Sun Valley, CA (US)
- (73) Assignee: **HONDA MOTOR CO., LTD.**, Tokyo  
(JP)
- (\*\*) Term: **15 Years**
- (21) Appl. No.: **29/642,275**
- (22) Filed: **Mar. 28, 2018**
- (51) **LOC (12) Cl.** ..... **12-16**
- (52) **U.S. Cl.**  
USPC ..... **D12/209**
- (58) **Field of Classification Search**  
USPC ..... D12/204–213  
CPC .... B60B 7/00; B60B 7/02; B60B 7/04; B60B  
7/01; B60B 7/06; B60B 3/02; B60B 3/04;  
B60B 3/06; B60B 3/10; B60B 1/00;  
B60B 1/08; B60B 1/10; B60B 1/12  
See application file for complete search history.

(56) **References Cited**

**U.S. PATENT DOCUMENTS**

D593,474 S	*	6/2009	Flueckiger	.....	D12/209
D598,834 S	*	8/2009	Juergens	.....	D12/209
D608,713 S	*	1/2010	Bucher	.....	D12/209
D613,657 S	*	4/2010	Cortes	.....	D12/209
D625,675 S	*	10/2010	Juergens	.....	D12/209
D626,052 S	*	10/2010	Majdandzic	.....	D12/209
D631,813 S	*	2/2011	Nissl	.....	D12/209
D666,954 S	*	9/2012	Antoniadis	.....	D12/209
D670,630 S	*	11/2012	Flueckiger	.....	D12/209
D673,104 S	*	12/2012	Lemke	.....	D12/211

D682,764 S	*	5/2013	Amezketta	.....	A47L 13/18 D12/211
D705,152 S	*	5/2014	Nakamura	.....	D12/209
D744,402 S	*	12/2015	Watkin	.....	D12/211
D744,403 S	*	12/2015	Mielke	.....	D12/211
D748,030 S	*	1/2016	Heizmann	.....	D12/209
D786,767 S	*	5/2017	Bjerke	.....	D12/209
D789,866 S	*	6/2017	Giolito	.....	D12/211
D794,526 S	*	8/2017	Patel	.....	D12/209
D796,411 S	*	9/2017	Chung	.....	D12/211
D842,203 S	*	3/2019	Podlovits	.....	D12/209

\* cited by examiner

*Primary Examiner* — Stacia A Cadmus

(74) *Attorney, Agent, or Firm* — Arent Fox LLP

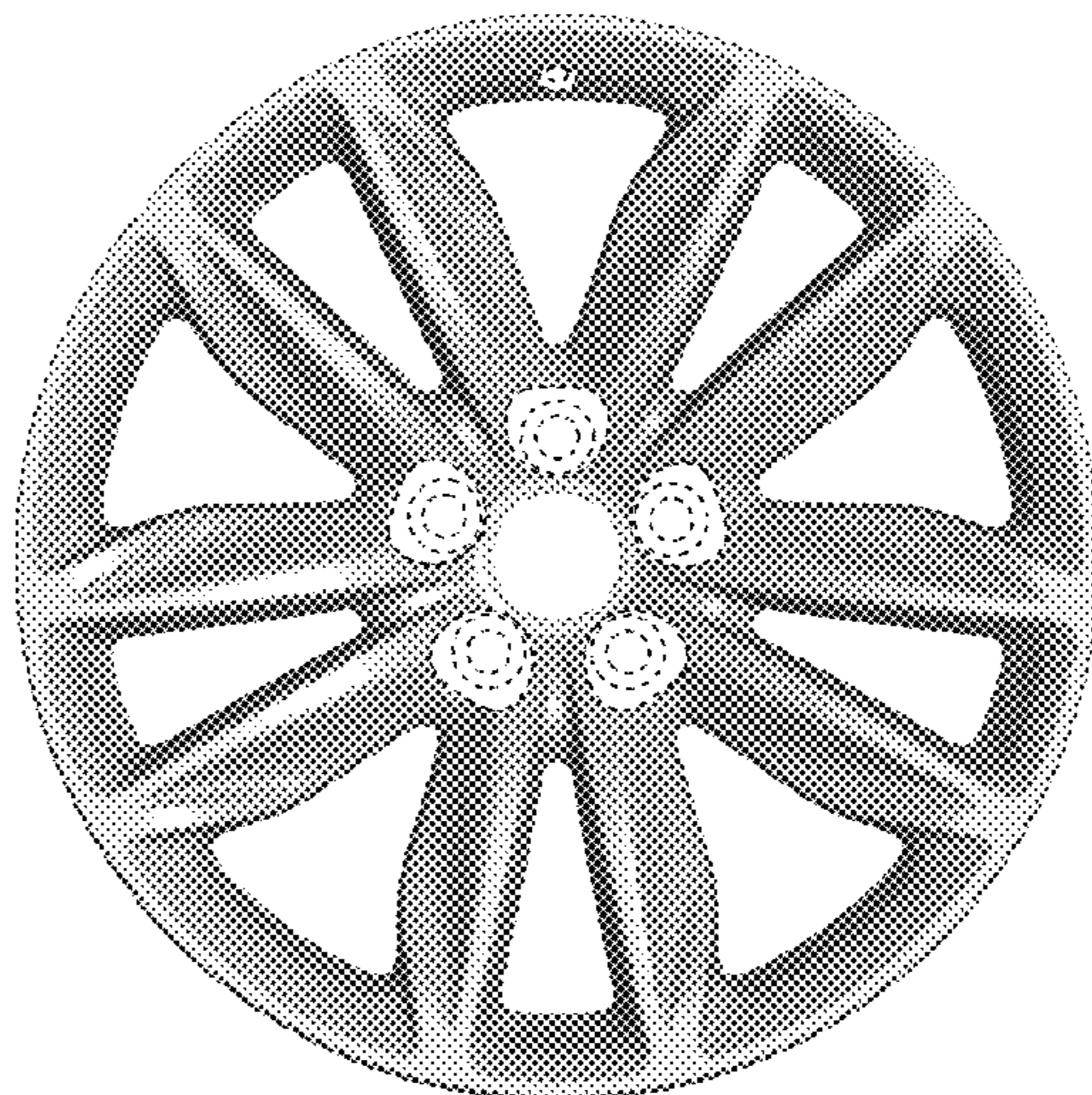
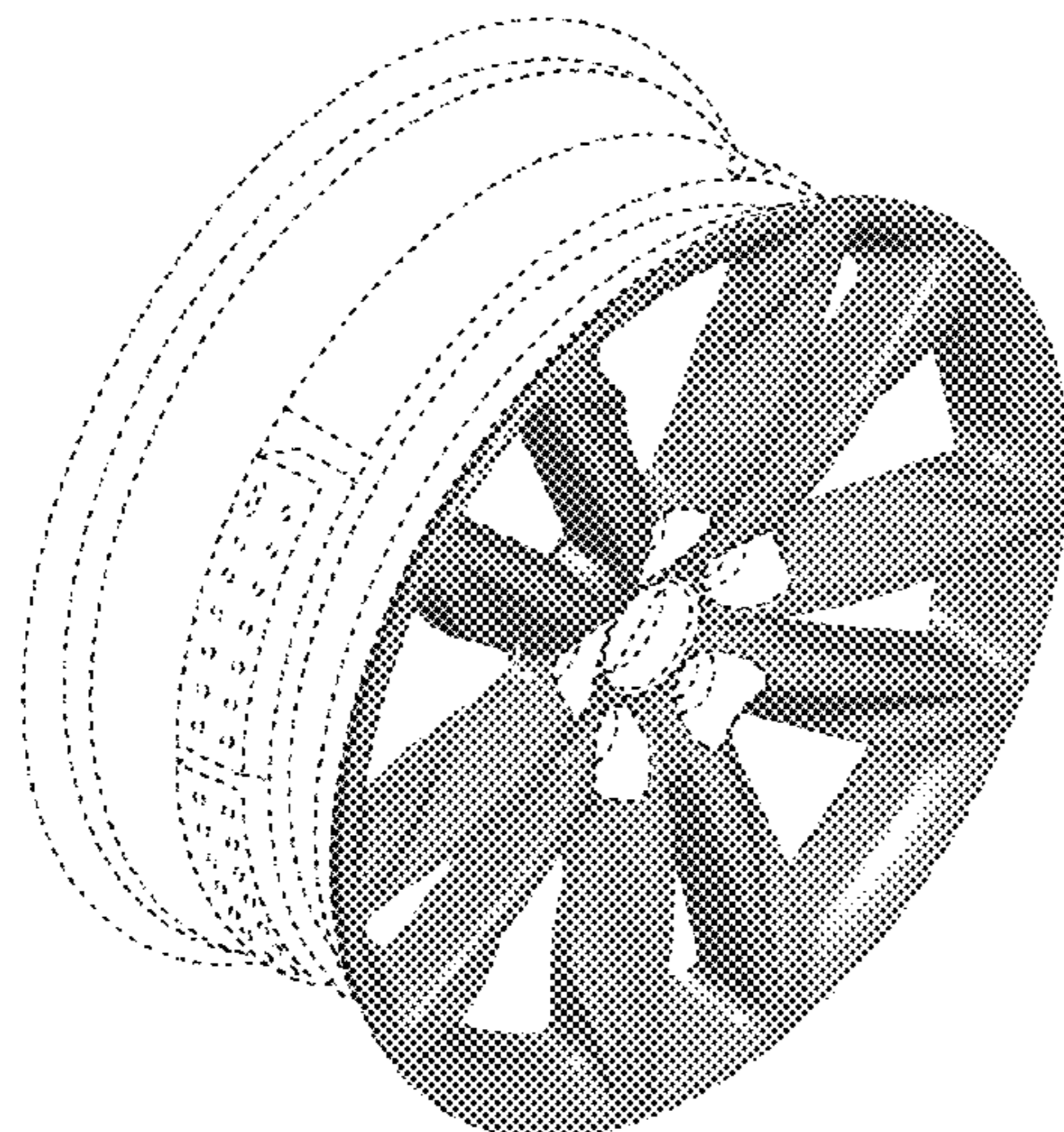
(57) **CLAIM**

The ornamental design for a wheel, as shown and described.

**DESCRIPTION**

FIG. 1 is a front left perspective view of a wheel showing my new design;  
 FIG. 2 is front right perspective view of the design shown in FIG. 1;  
 FIG. 3 is a rear left perspective view of the design shown in FIG. 1;  
 FIG. 4 is a rear right perspective view of the design shown in FIG. 1;  
 FIG. 5 is a front view of the design shown in FIG. 1;  
 FIG. 6 is a rear view of the design shown in FIG. 1;  
 FIG. 7 is a left side view of the design shown in FIG. 1;  
 FIG. 8 is a right side view of the design shown in FIG. 1;  
 FIG. 9 is a top view of the design shown in FIG. 1; and,  
 FIG. 10 is a bottom view of the design shown in FIG. 1.  
 The broken lines shown in the figures are included for the purpose of illustrating portions of the wheel and form no part of the claimed design.

**1 Claim, 10 Drawing Sheets**





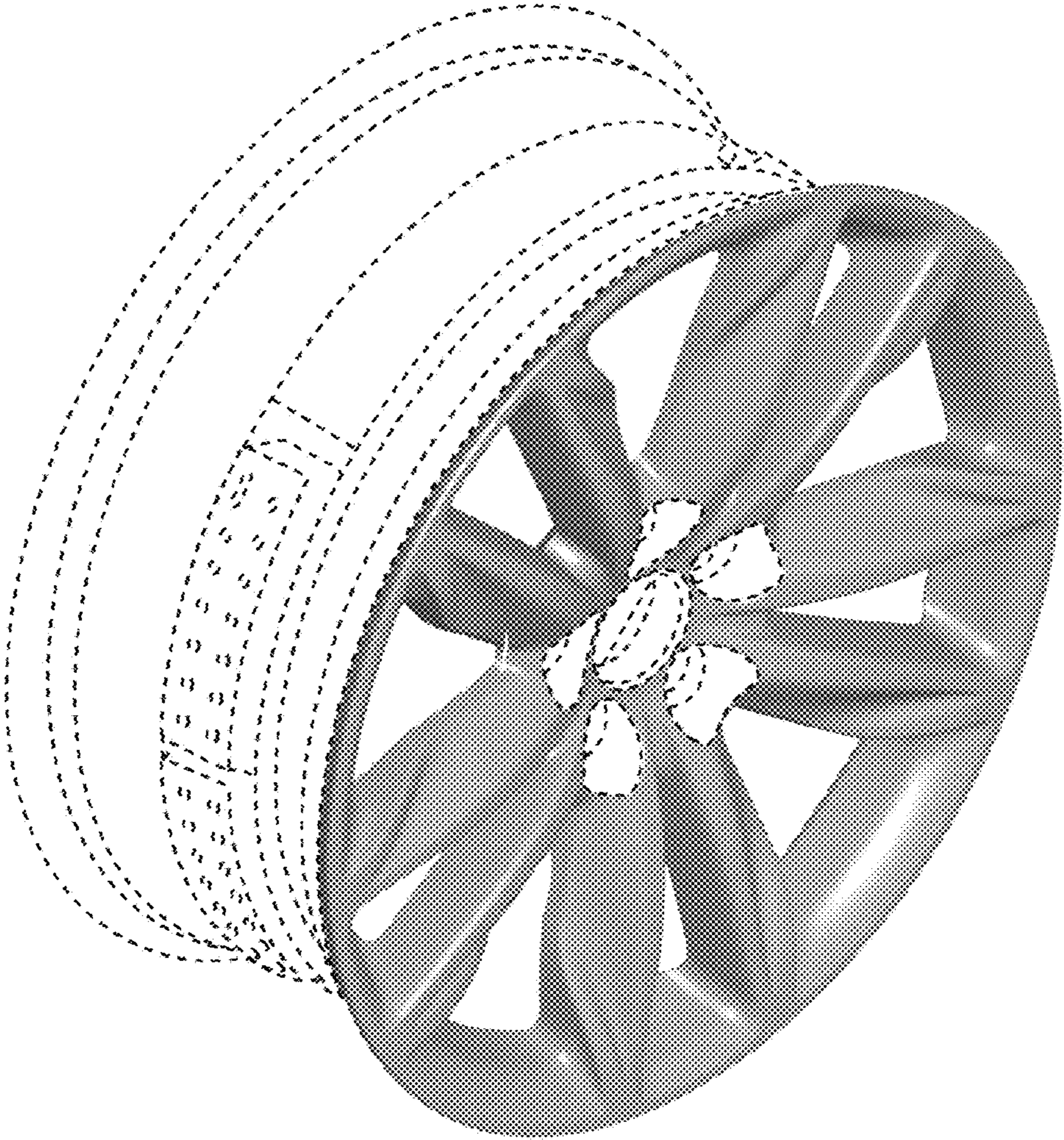


FIG.1

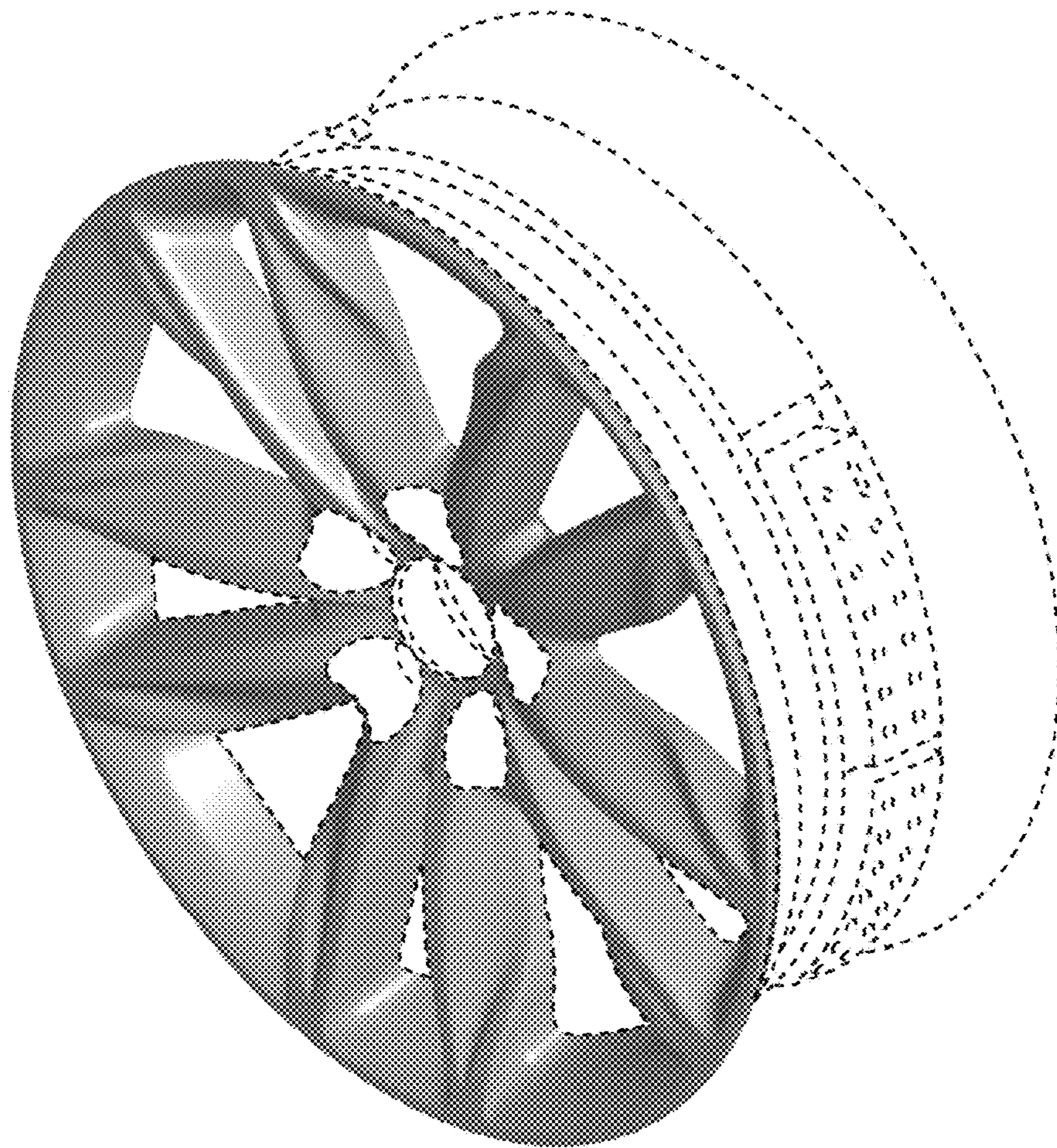


FIG. 2



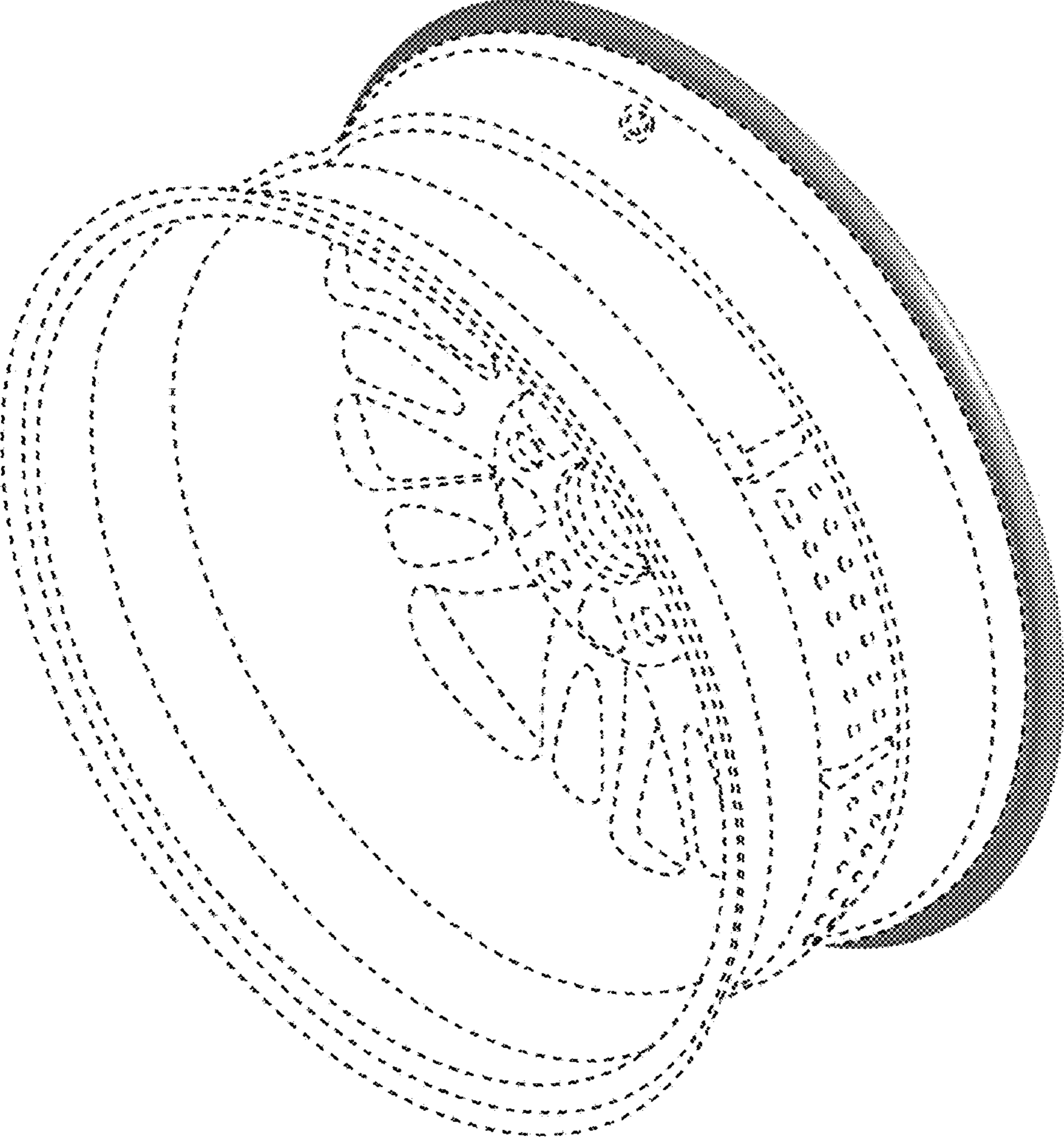


FIG. 3

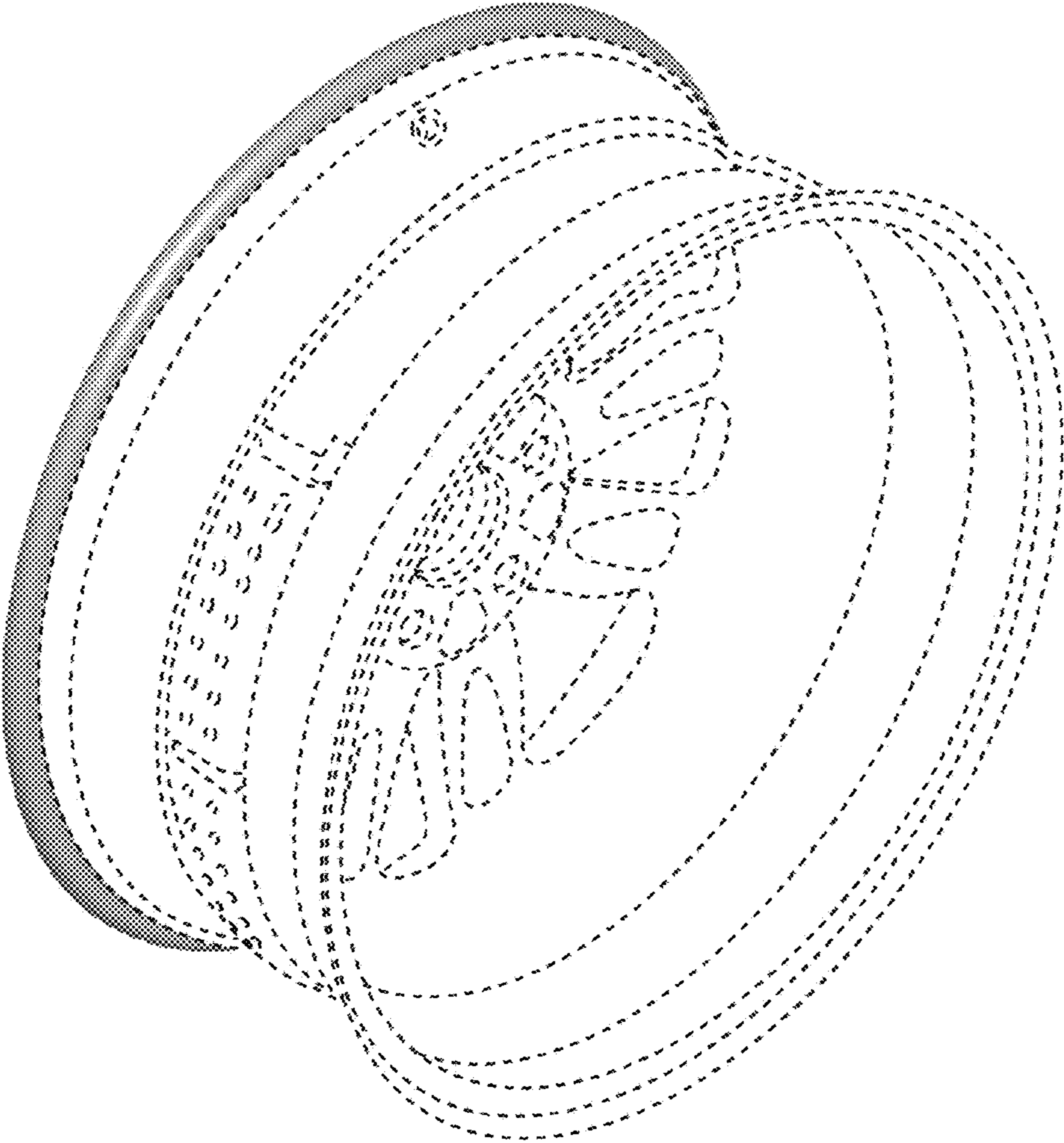


FIG. 4





FIG. 5

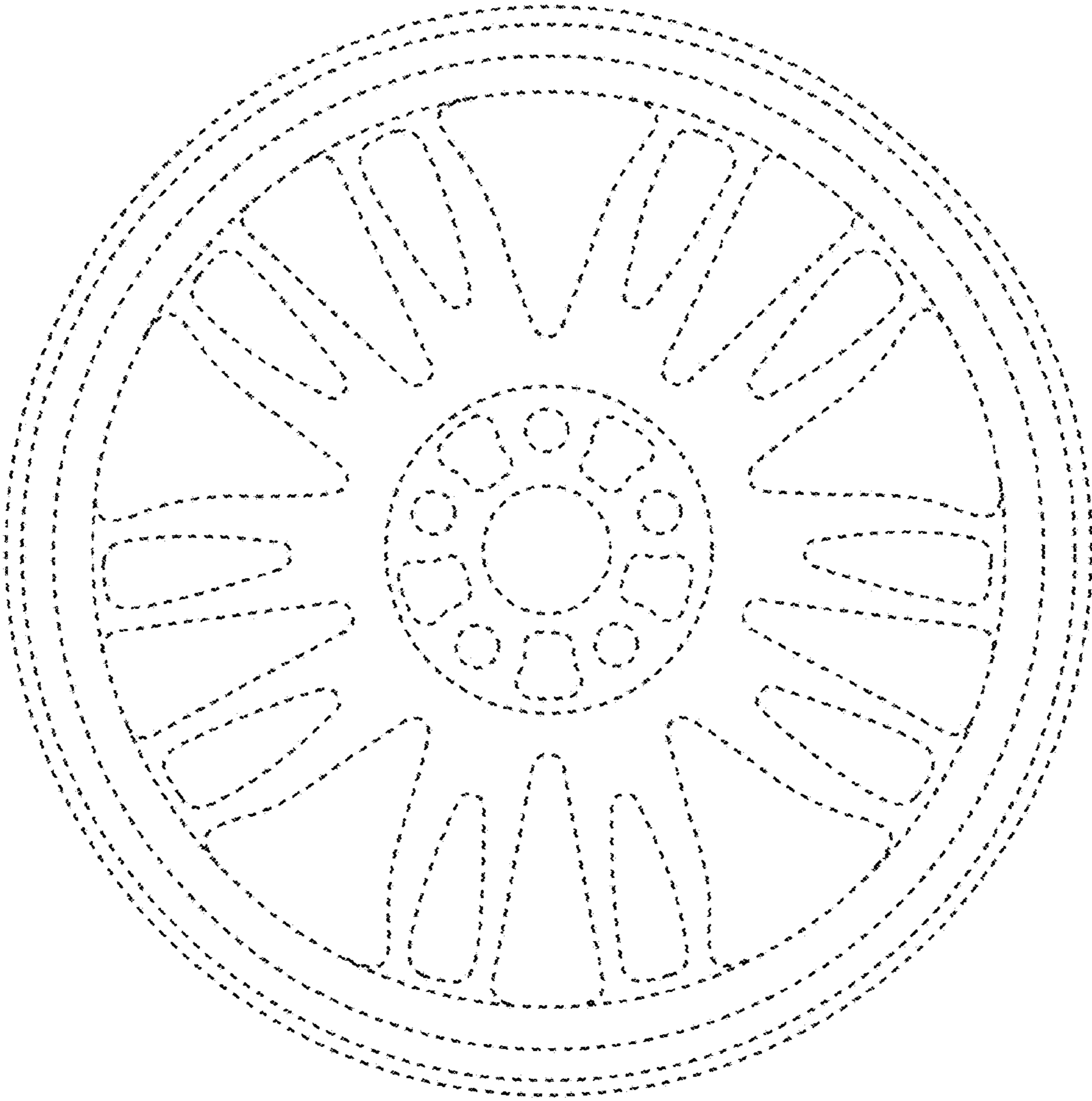


FIG. 6



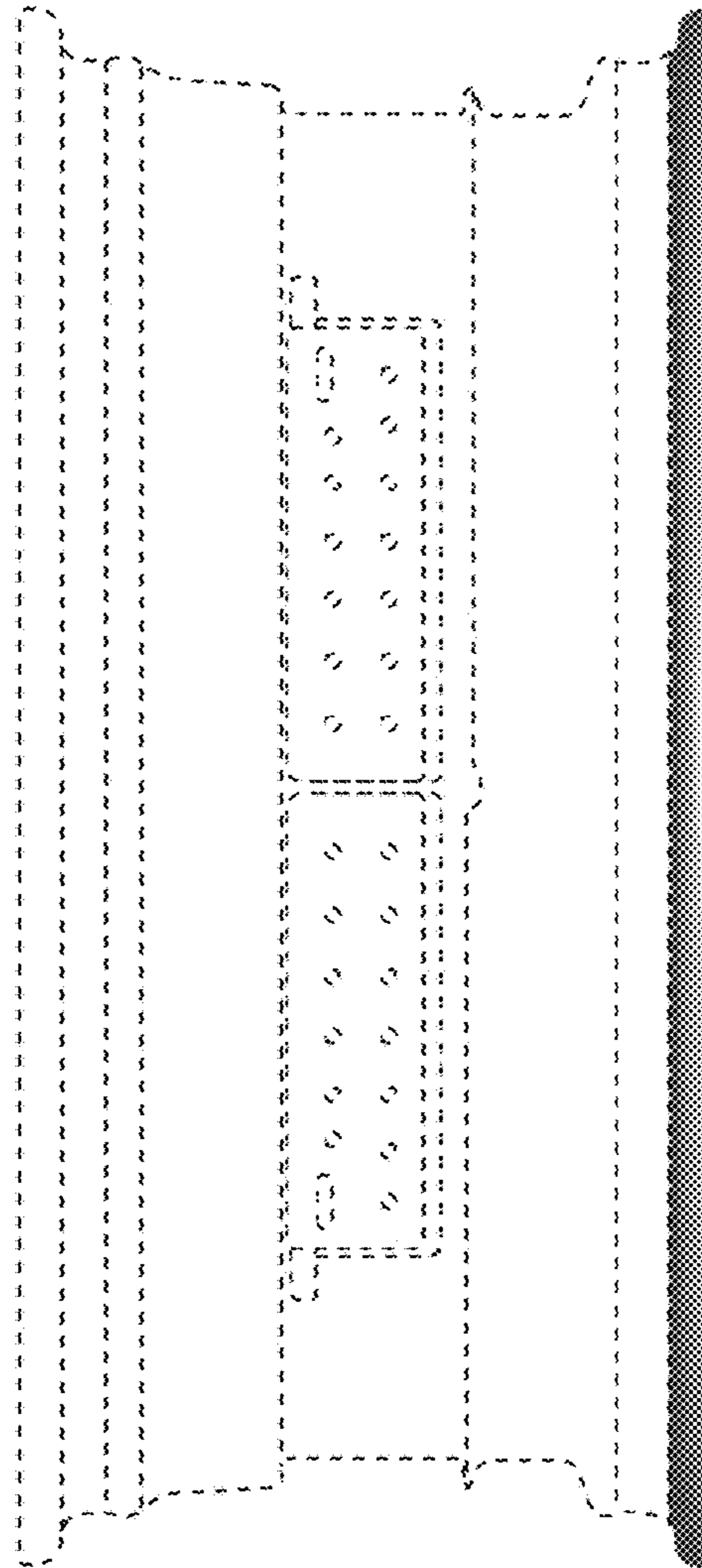


FIG. 7



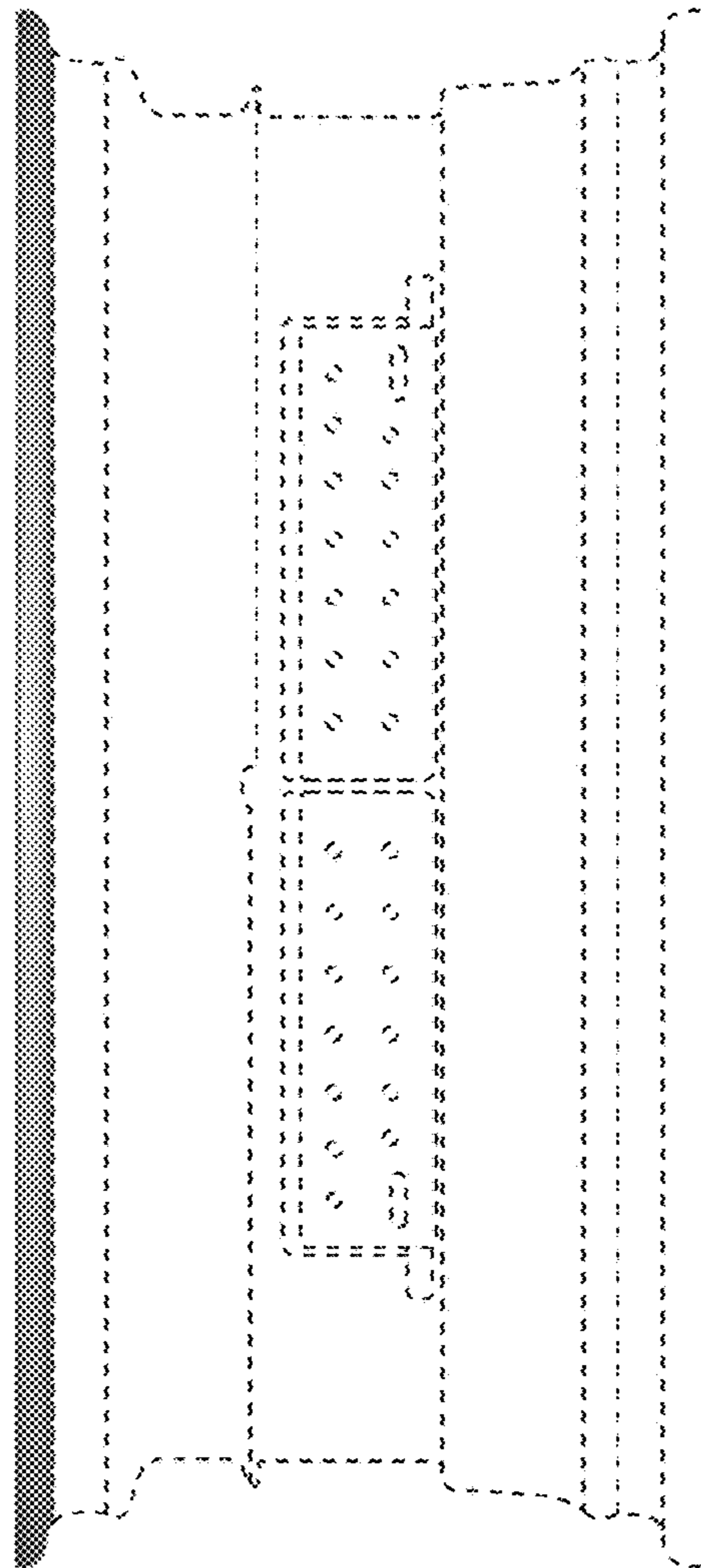


FIG. 8

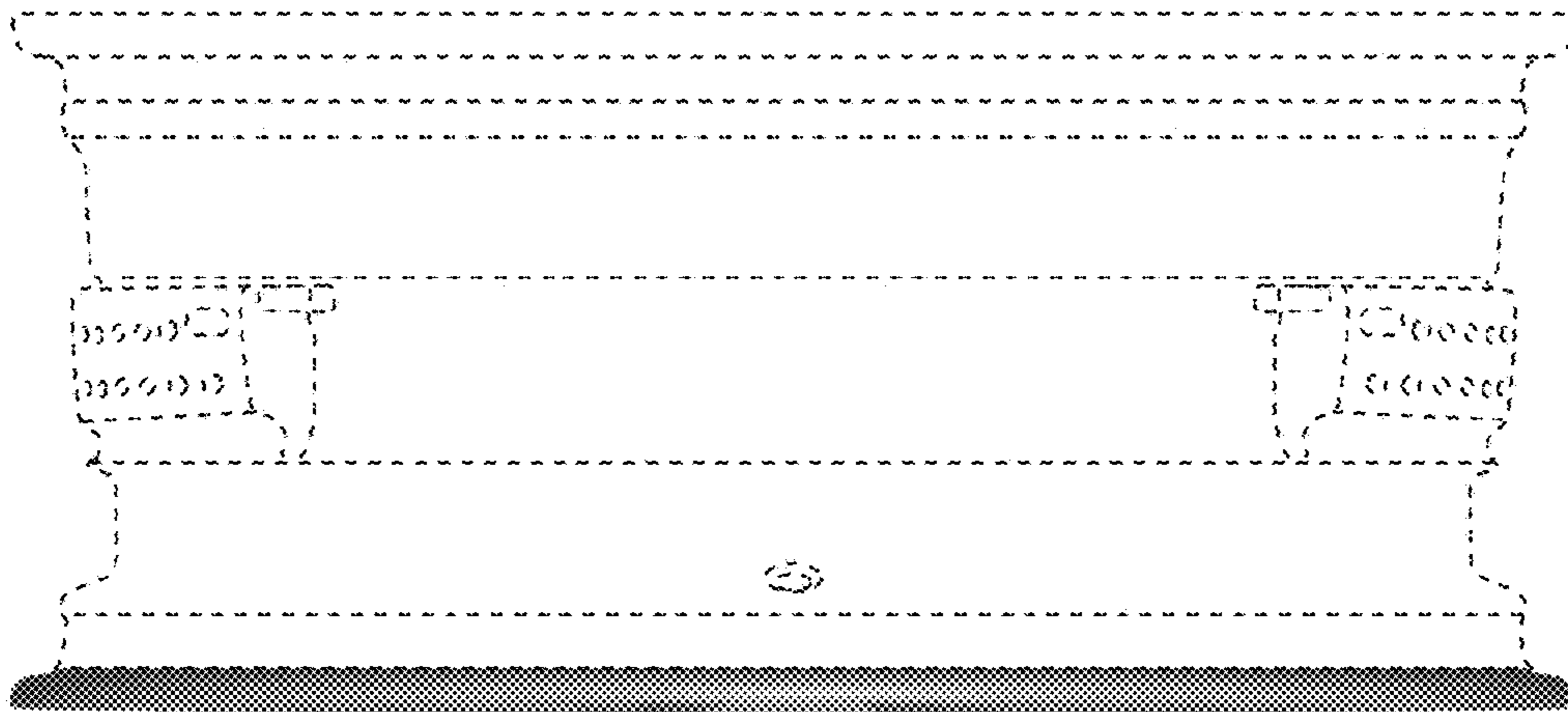


FIG. 9



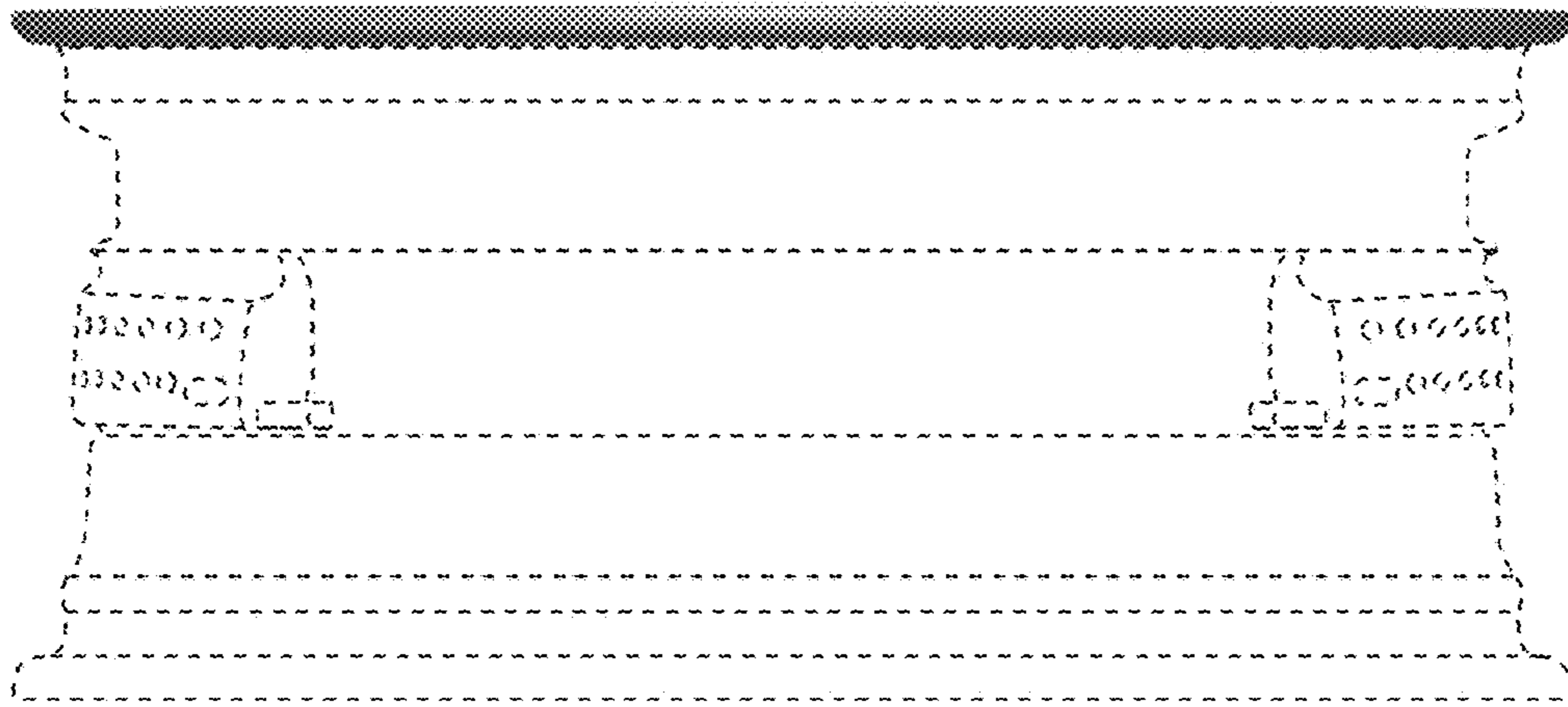


FIG. 10