



US00D865610S

(12) **United States Design Patent**  
**Interrante**

(10) **Patent No.:** **US D865,610 S**

(45) **Date of Patent:** **\*\* \*Nov. 5, 2019**

(54) **WHEEL**

(71) Applicant: **OE WHEEL WORKS, LLC**, Milton, GA (US)

(72) Inventor: **Joseph B. Interrante**, Milton, GA (US)

(73) Assignee: **OE Wheel Works, LLC**, Milton, GA (US)

(\*) Notice: This patent is subject to a terminal disclaimer.

(\*\*) Term: **15 Years**

(21) Appl. No.: **29/628,708**

(22) Filed: **Dec. 6, 2017**

(51) **LOC (12) Cl.** ..... **12-16**

(52) **U.S. Cl.**  
USPC ..... **D12/209**

(58) **Field of Classification Search**  
USPC ..... D12/204–213  
See application file for complete search history.

(56) **References Cited**

**U.S. PATENT DOCUMENTS**

D491,873 S *	6/2004	Markefka	.....	D12/211
D560,585 S *	1/2008	Blasi	.....	D12/209
D617,710 S *	6/2010	Ectors	.....	D12/209
D617,712 S *	6/2010	Juergens	.....	D12/209
D737,748 S *	9/2015	Henstridge	.....	D12/209
D753,043 S *	4/2016	Pollmann	.....	D12/209
D756,876 S *	5/2016	Rueckheim	.....	D12/209
D757,624 S *	5/2016	Hammoud	.....	D12/209
D763,764 S *	8/2016	Dunford	.....	D12/209
D765,002 S *	8/2016	Hoste	.....	D12/209

D766,804 S *	9/2016	Goodrich	.....	D12/209
D781,201 S *	3/2017	Ninov	.....	D12/209
D782,383 S *	3/2017	Owens	.....	D12/209
D783,490 S *	4/2017	Bucher	.....	D12/209
D783,496 S *	4/2017	Glover	.....	D12/209
D787,406 S *	5/2017	Piscitelli	.....	D12/209
D791,036 S *	7/2017	Owens	.....	D12/209
D791,038 S *	7/2017	Piscitelli	.....	D12/209
D791,047 S *	7/2017	Bucher	.....	D12/211
D792,308 S *	7/2017	Guo	.....	D12/209
D797,025 S *	9/2017	Khachatryan	.....	D12/209
D800,044 S *	10/2017	Ghobrial	.....	D12/209
D801,250 S *	10/2017	Chung	.....	D12/209
D801,901 S *	11/2017	Gardavsky	.....	D12/209
D803,135 S *	11/2017	Bucher	.....	D12/209
D817,846 S *	5/2018	Stone	.....	D12/209
D825,425 S *	8/2018	Brundle	.....	D12/209
D825,426 S *	8/2018	Myrberg	.....	D12/209
D830,931 S *	10/2018	Factor	.....	D12/209
D835,024 S *	12/2018	Han	.....	D12/209
D849,644 S *	5/2019	Chan	.....	D12/209

\* cited by examiner

*Primary Examiner* — Stacia A Cadmus

(74) *Attorney, Agent, or Firm* — OhanianIP Law Firm; H. Artoush Ohanian; Brett T. Cooke

(57) **CLAIM**

The ornamental design for the wheel, as shown and described.

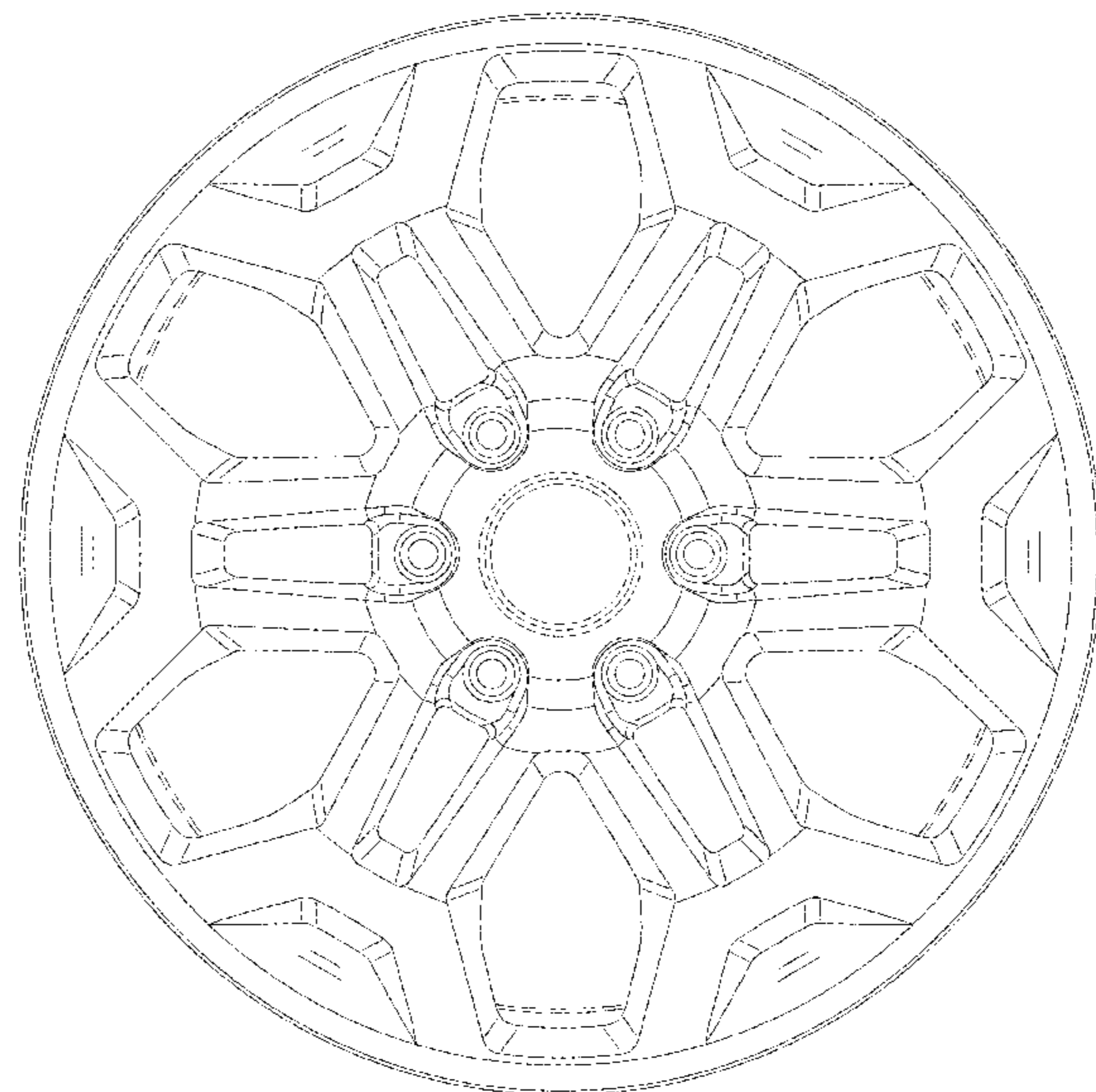
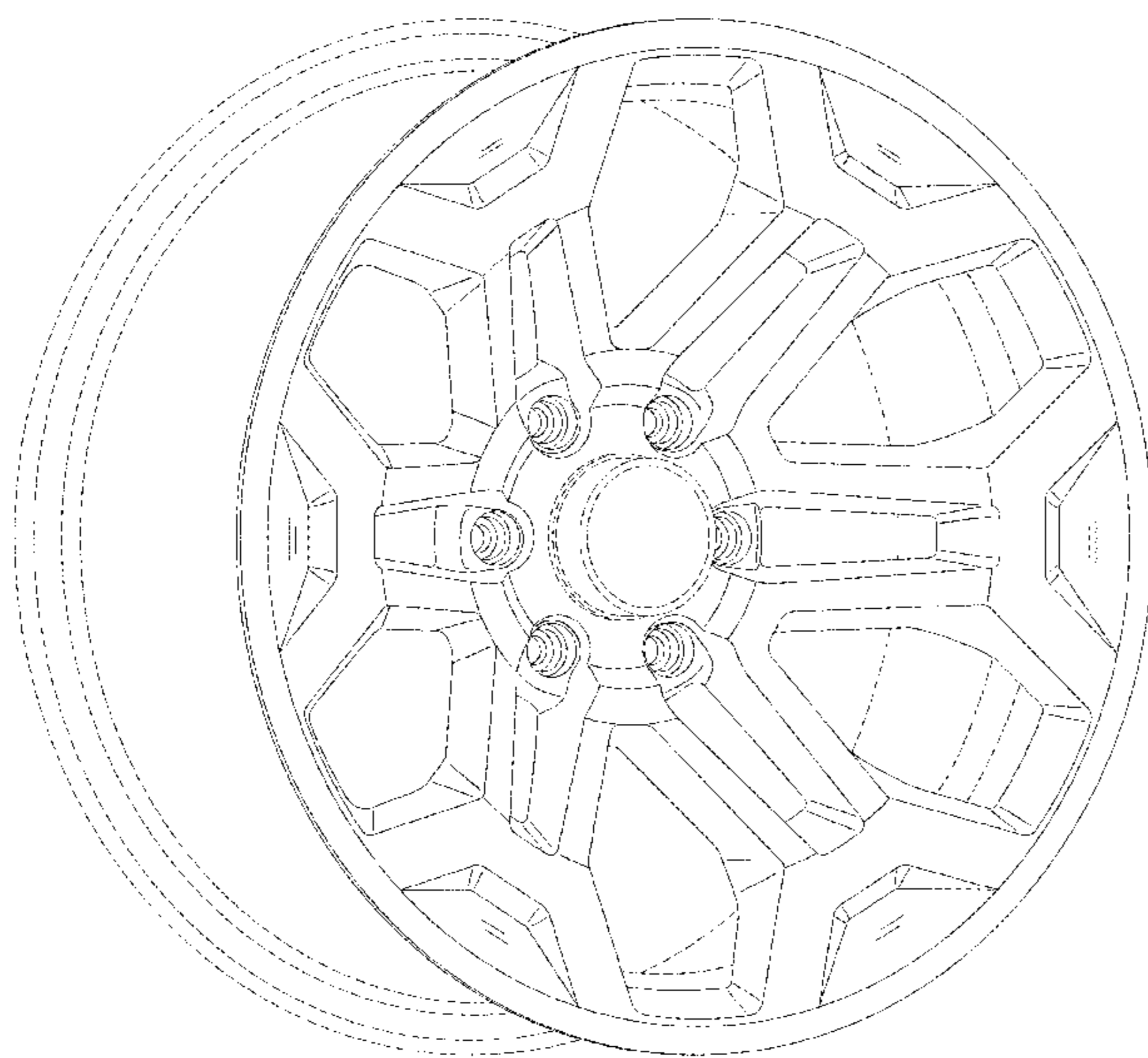
**DESCRIPTION**

FIG. 1 is a front perspective view of a wheel, showing my new design; and,

FIG. 2 is a front view showing the wheel of FIG. 1.

In the drawings, the broken lines depict environmental subject matter and form no part of the claimed design.

**1 Claim, 2 Drawing Sheets**



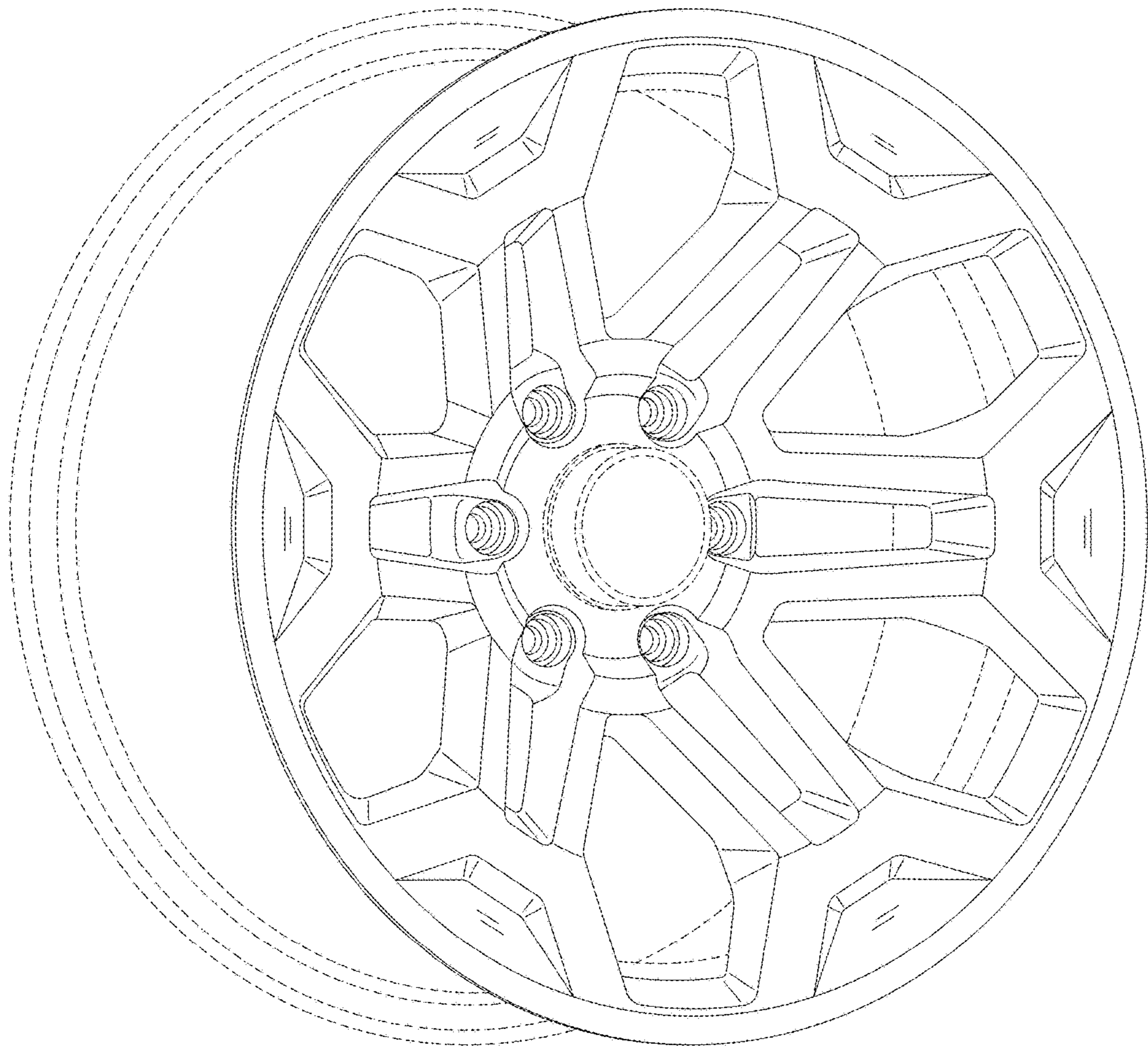
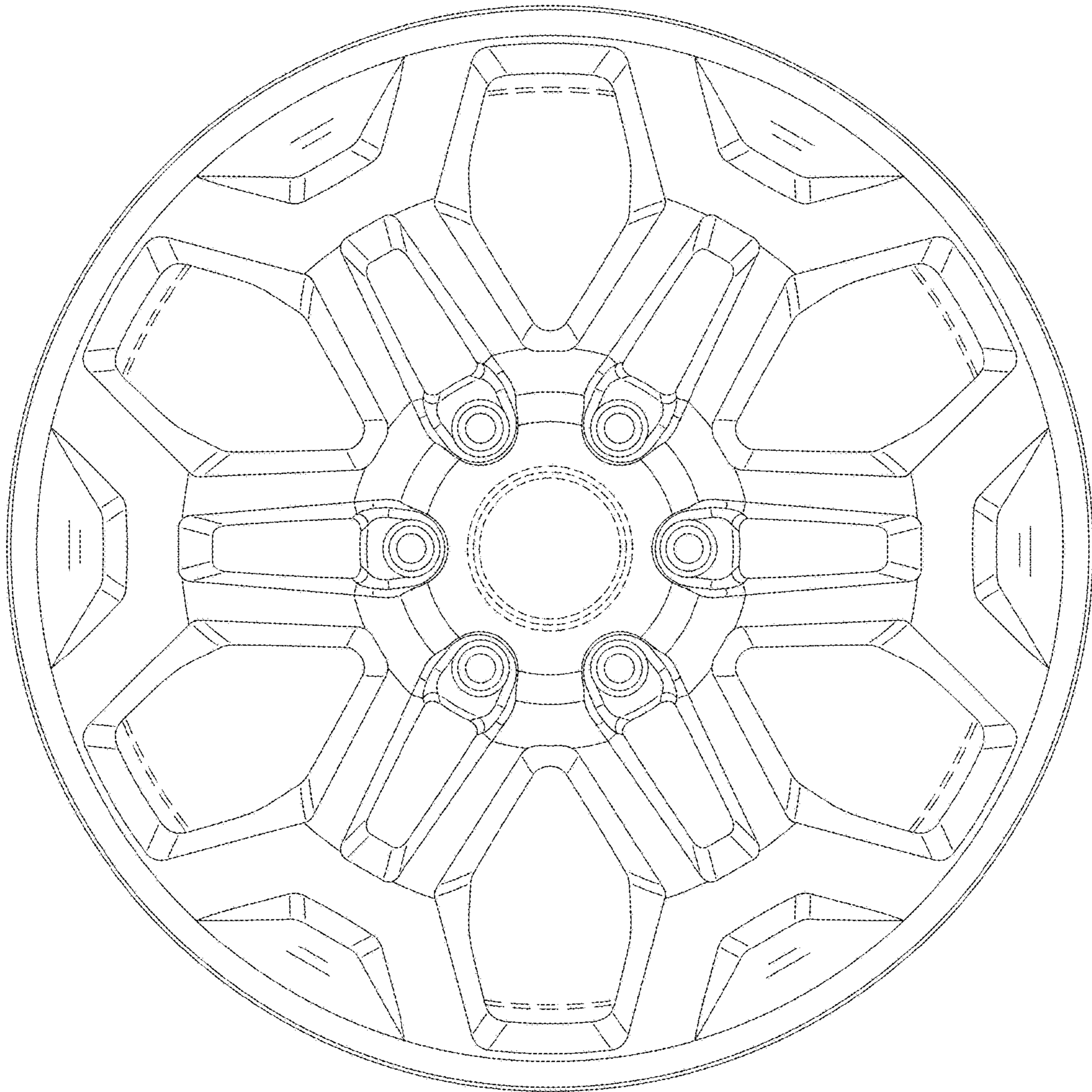


FIG. 1





**FIG. 2**