



US00D865609S

(12) **United States Design Patent** (10) **Patent No.:** **US D865,609 S**
Yeh (45) **Date of Patent:** **** Nov. 5, 2019**

(54) **WHEEL FRONT FACE**
(71) Applicant: **Bruce Yeh**, Chino Hills, CA (US)
(72) Inventor: **Bruce Yeh**, Chino Hills, CA (US)
(73) Assignee: **WHEEL GROUP HOLDINGS, LLC**,
Ontario (CA)
(**) Term: **15 Years**
(21) Appl. No.: **29/627,812**
(22) Filed: **Nov. 29, 2017**
(51) **LOC (12) Cl.** **12-16**
(52) **U.S. Cl.**
USPC **D12/209**
(58) **Field of Classification Search**
USPC D12/204–213; D21/533, 551, 563
See application file for complete search history.

D722,938 S * 2/2015 Chung D12/211
D724,515 S * 3/2015 Chung D12/209
D726,617 S * 4/2015 Dingle D12/209
D726,618 S * 4/2015 Dingle D12/209
D726,627 S * 4/2015 Chung D12/211
D737,190 S * 8/2015 Kern D12/211
D741,770 S * 10/2015 Kim D12/209
9,150,047 B2 * 10/2015 Noriega B60B 1/06
D743,316 S * 11/2015 Zhao D12/211
D748,558 S * 2/2016 Hans D12/211
D751,017 S * 3/2016 Chung D12/209
D751,480 S * 3/2016 Chung D12/209
D751,481 S * 3/2016 Chung D12/209
D751,966 S * 3/2016 Zhao D12/211
D755,690 S * 5/2016 von Tardy-Tuch D12/209
D758,947 S * 6/2016 Zhao D12/211
9,375,976 B1 * 6/2016 Liu B60B 1/06
D763,766 S * 8/2016 Alfonso D12/211
9,446,638 B2 * 9/2016 Tanno B60B 1/12
D768,047 S * 10/2016 Hans D12/211
D769,784 S * 10/2016 Bazinski D12/209
D775,045 S * 12/2016 Peat D12/209
D778,802 S * 2/2017 Wolff D12/211
D780,654 S * 3/2017 Gallert D12/204

(Continued)

(56) **References Cited**

U.S. PATENT DOCUMENTS

D243,169 S * 1/1977 Suzuki D12/205
D450,649 S * 11/2001 Penzes D12/211
D473,836 S * 4/2003 Laengerer D12/211
D498,723 S * 11/2004 Cahyono D12/209
D500,003 S * 12/2004 Guevara D12/211
D524,217 S * 7/2006 Aoki D12/211
D543,923 S * 6/2007 Hieke D12/211
D576,095 S * 9/2008 Chung D12/211
D638,766 S * 5/2011 Hilpert D12/211
D649,103 S * 11/2011 Gallert D12/211
D659,066 S * 5/2012 Johnson D12/209
D673,092 S * 12/2012 Platto D12/209
D682,181 S * 5/2013 Zhao D12/211
D691,542 S * 10/2013 Chan D12/209
D706,192 S * 6/2014 Chung D12/209
D707,167 S * 6/2014 Chung D12/209

Primary Examiner — Sheryl Lane

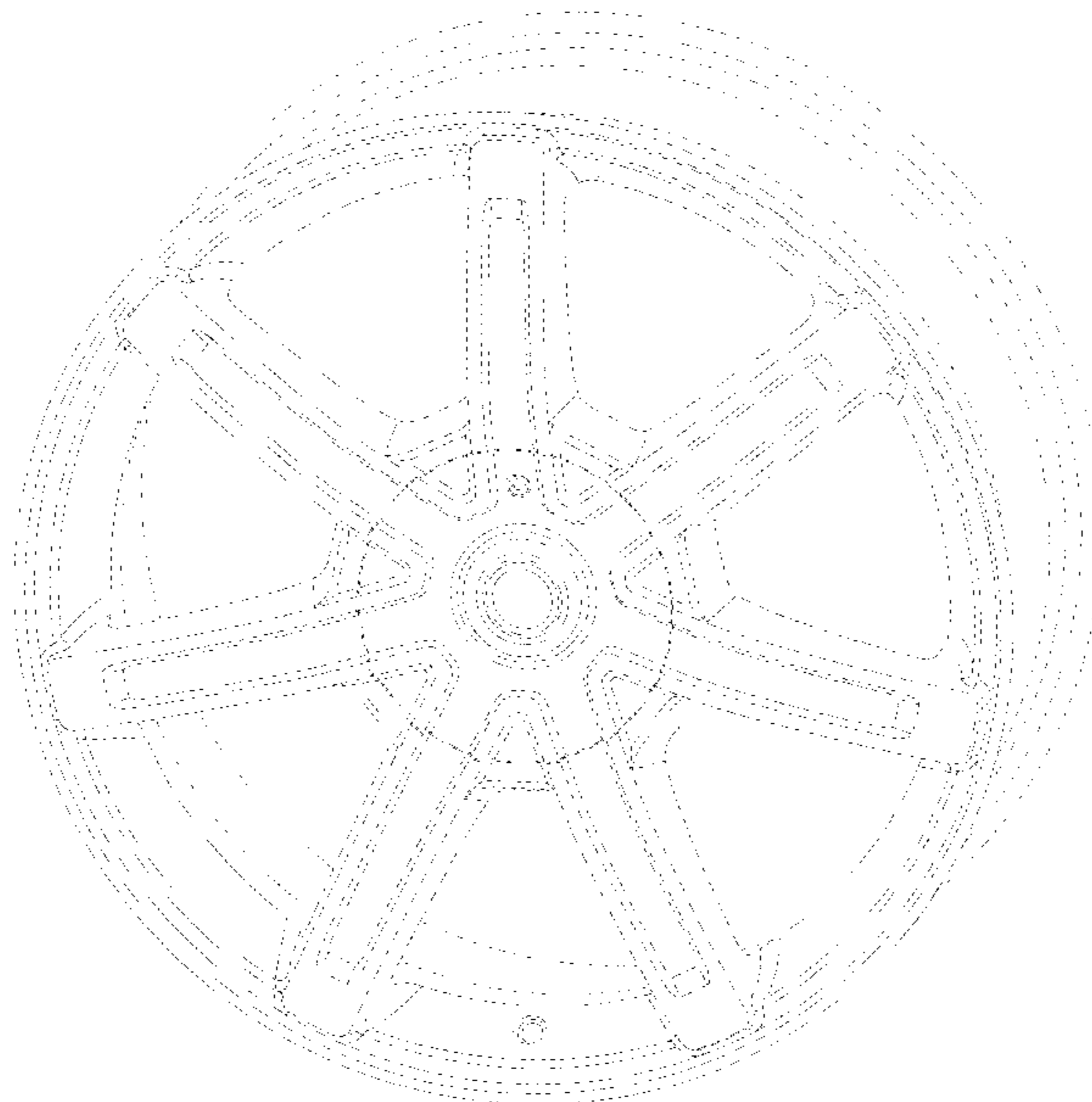
(57) **CLAIM**

The ornamental design for a wheel front face, as shown and described.

DESCRIPTION

FIG. 1 is a perspective view of a wheel front face in accordance with an embodiment of the present invention. FIG. 2 is a front view of the wheel front face of FIG. 1; and, FIG. 3 is a side view of the wheel front face of FIG. 1. The surface shading forms no part of the claimed design. The broken lines represent portions of the wheel and form no part of the claimed design.

1 Claim, 3 Drawing Sheets



(56)

References Cited

U.S. PATENT DOCUMENTS

D782,950	S	*	4/2017	Hatton	D12/209
D784,235	S	*	4/2017	Kim	D12/211
D788,009	S	*	5/2017	Zhao	D12/211
D793,939	S	*	8/2017	Hans	D12/211
D797,636	S	*	9/2017	Chung	D12/211
D803,752	S	*	11/2017	Sempek	D12/211
9,840,110	B2	*	12/2017	Dingle	B60B 3/02
D808,883	S	*	1/2018	Chung	D12/211
D815,578	S	*	4/2018	Zhao	D12/211
D817,245	S	*	5/2018	Chung	D12/209
D817,845	S	*	5/2018	Guidry	D12/209
D820,763	S	*	6/2018	Badstuebner	D12/211
D821,286	S	*	6/2018	Zhao	D12/211
D823,222	S	*	7/2018	Chung	D12/211
D823,223	S	*	7/2018	Sempek	D12/211
D824,832	S	*	8/2018	Oh	D12/209

* cited by examiner

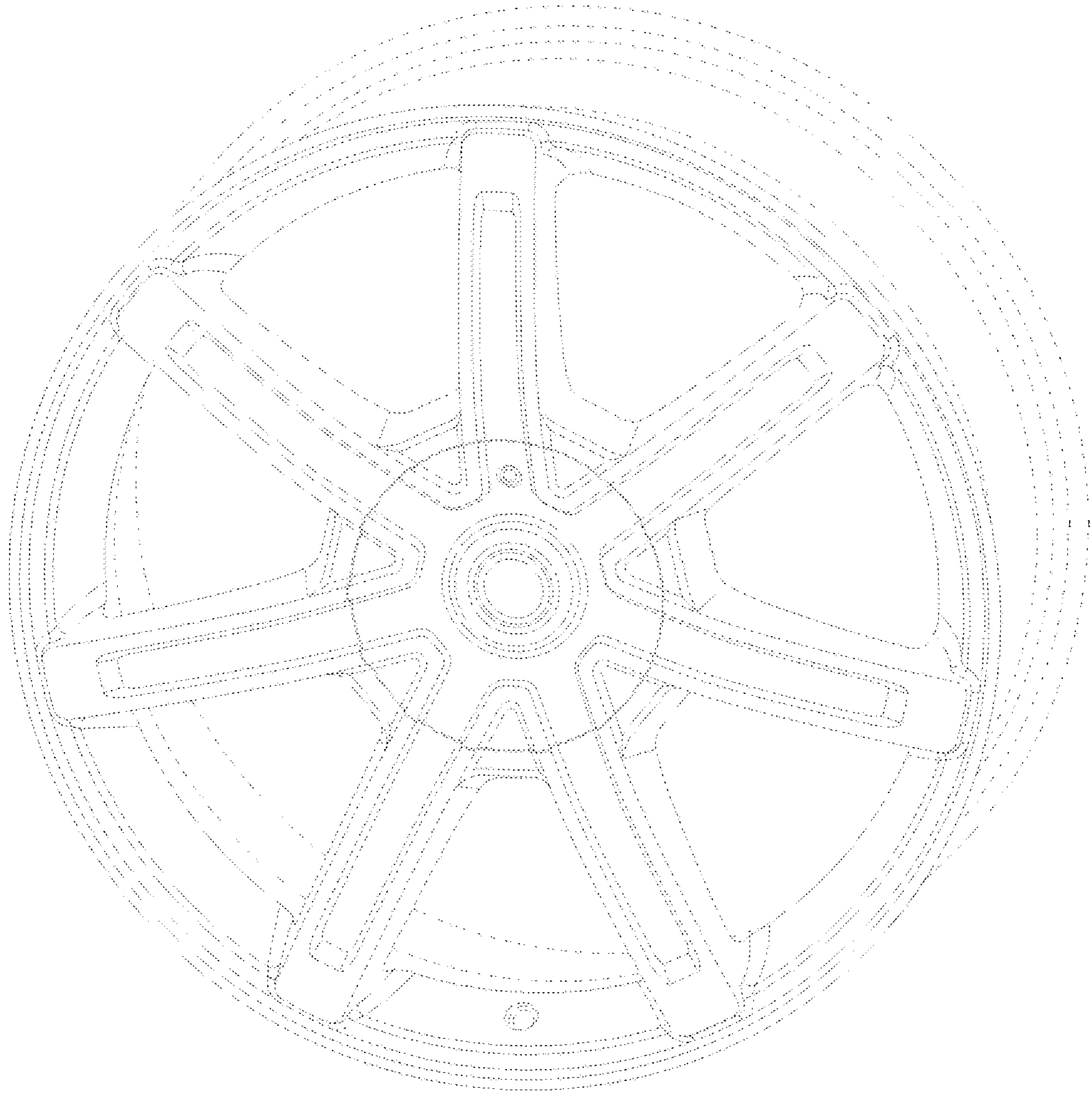


FIG. 1

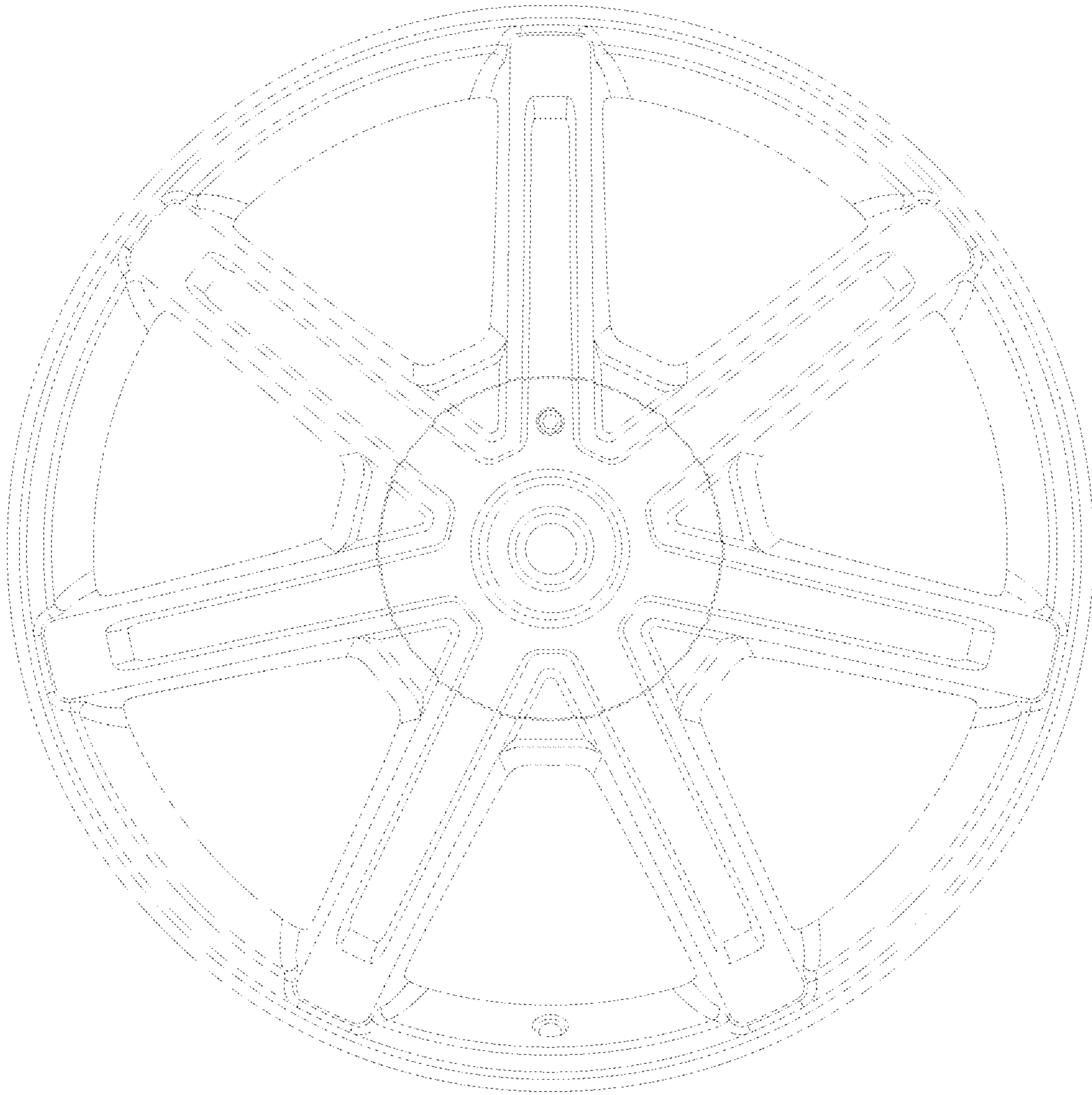


FIG. 2

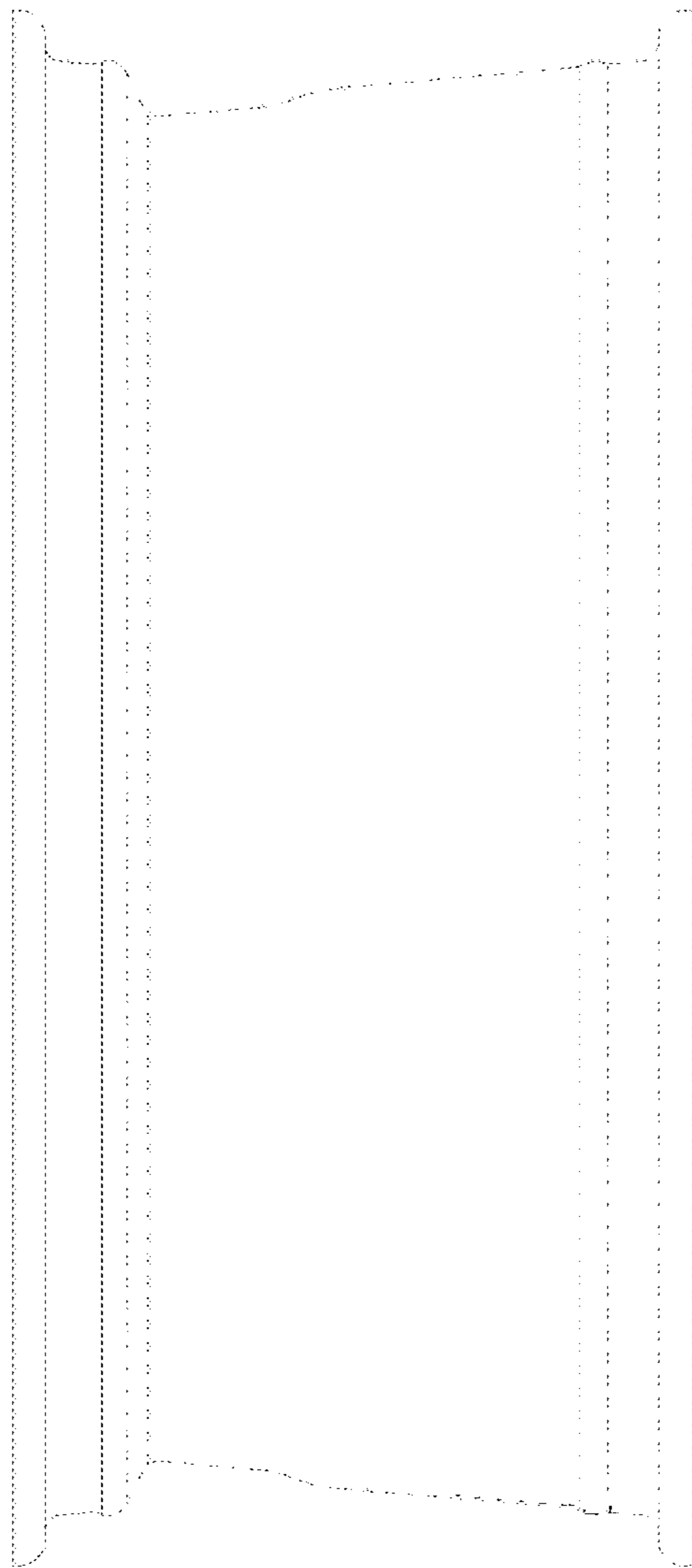


FIG.3