



US00D865607S

(12) **United States Design Patent**
Scheinhütte

(10) **Patent No.:** **US D865,607 S**

(45) **Date of Patent:** **** Nov. 5, 2019**

- (54) **WHEEL FOR MOTOR VEHICLE**
- (71) Applicant: **Dr. Ing. h.c. F. Porsche**
Aktiengesellschaft, Stuttgart (DE)
- (72) Inventor: **Ingo Scheinhütte, Eberdingen (DE)**
- (73) Assignee: **Dr. Ing. h.c. F. Porsche**
Aktiengesellschaft (DE)
- (**) Term: **15 Years**
- (21) Appl. No.: **29/621,323**
- (22) Filed: **Oct. 6, 2017**
- (30) **Foreign Application Priority Data**

Apr. 7, 2017 (DE) 40 2017 100 449

- (51) **LOC (12) Cl.** **12-16**
- (52) **U.S. Cl.**
USPC **D12/209**
- (58) **Field of Classification Search**
USPC D12/204–213; D21/533, 561, 563
CPC B60B 7/00; B60B 7/02; B60B 7/04; B60B
7/06; B60B 3/02; B60B 3/04; B60B 3/06;
B60B 3/10; B60B 1/00; B60B 1/08;
B60B 1/10; B60B 1/12
See application file for complete search history.

(56) **References Cited**

U.S. PATENT DOCUMENTS

- D452,470 S * 12/2001 Gabath D12/209
- D661,239 S * 6/2012 Pollmann D12/209
- D684,517 S 6/2013 Scheinhütte
- D689,810 S * 9/2013 Mindt D12/209
- D713,773 S 9/2014 Scheinhütte
- D730,795 S * 6/2015 Mays D12/209

- D733,024 S * 6/2015 Valencia Pollex D12/209
- D748,032 S * 1/2016 Peplowski D12/209
- D750,543 S * 3/2016 Behmer D12/209
- D761,179 S * 7/2016 Chung D12/209
- D773,370 S * 12/2016 Bucher D12/211
- D778,799 S 2/2017 Gallert
- D786,766 S * 5/2017 Rueckheim D12/209
- D788,673 S * 6/2017 Krause D12/209
- D789,268 S 6/2017 Gallert
- D791,045 S * 7/2017 Johnson D12/209
- D797,637 S * 9/2017 Wolff D12/211
- D819,538 S * 6/2018 Badstuebner D12/211
- D828,264 S * 9/2018 Owens D12/209
- D849,643 S * 5/2019 Chan D12/209

OTHER PUBLICATIONS

Design U.S. Appl. No. 29/580,317, by Burki, filed Oct. 7, 2016.

* cited by examiner

Primary Examiner — Sheryl Lane

Assistant Examiner — Calvin E Vansant

(74) *Attorney, Agent, or Firm* — RatnerPrestia

(57) **CLAIM**

The ornamental design for a wheel for motor vehicle, as shown and described.

DESCRIPTION

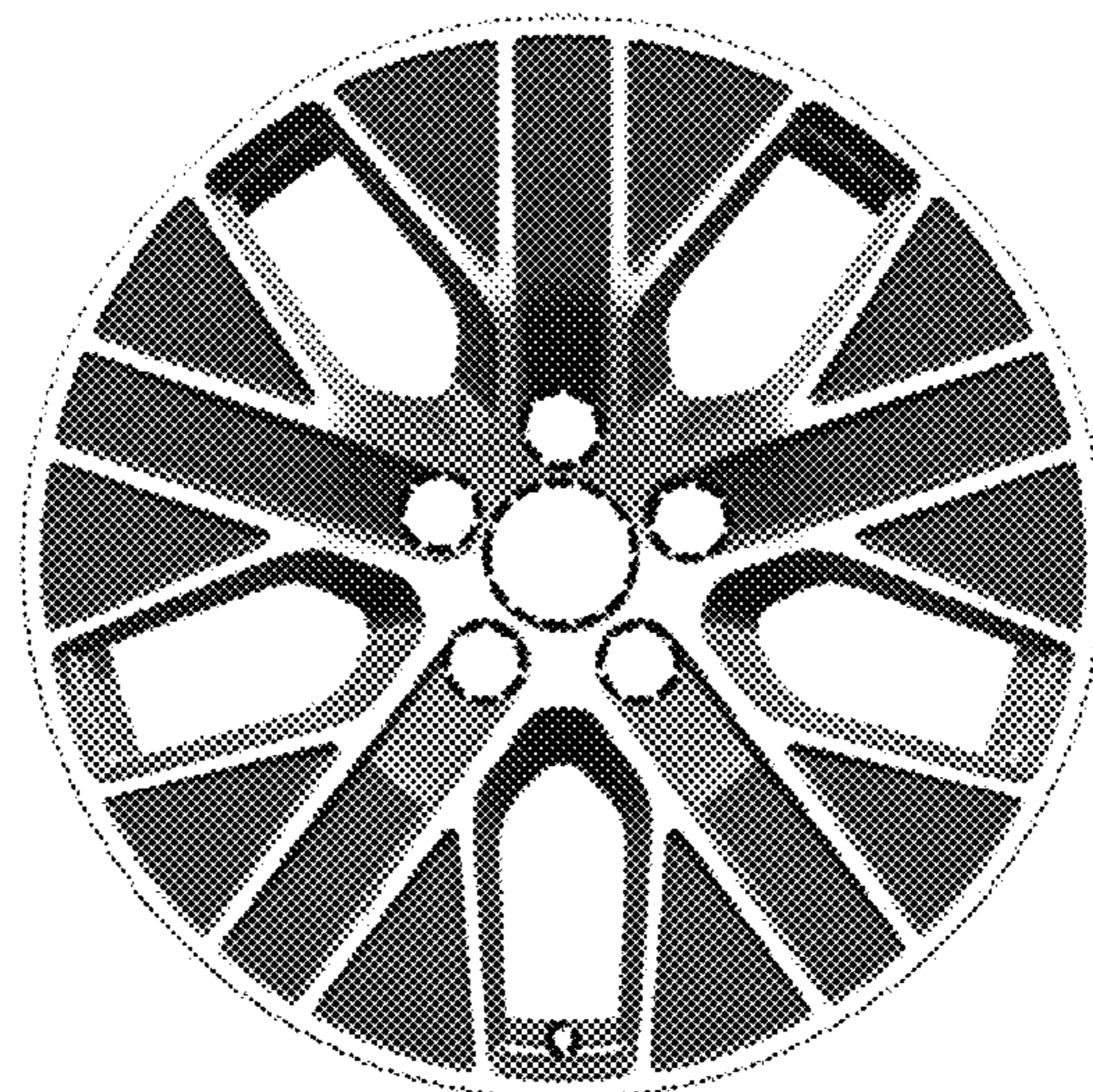
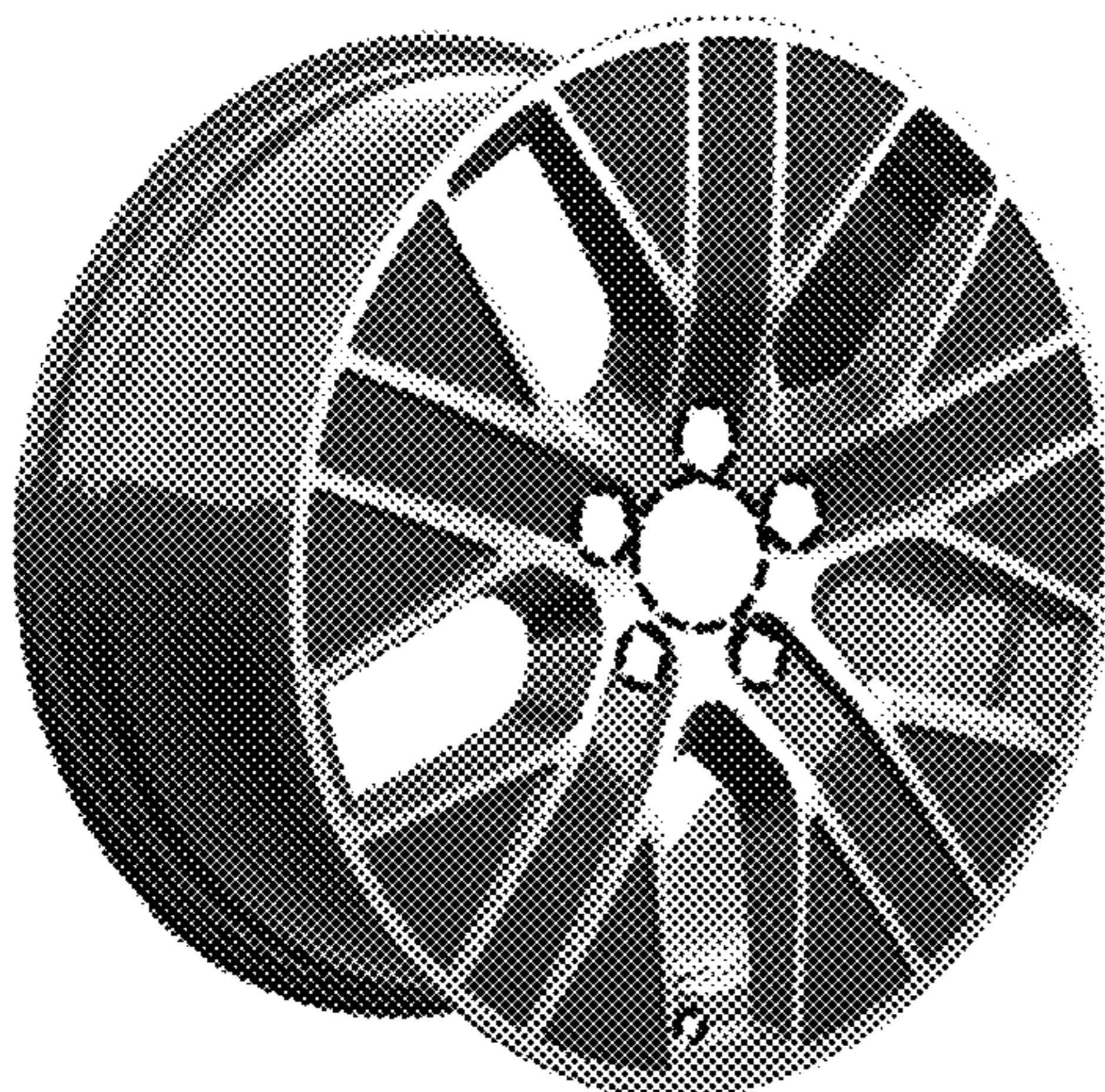
FIG. 1 is a front perspective view of a wheel for motor vehicle;

FIG. 2 is a front elevation view thereof; and,

FIG. 3 is a top plan view thereof.

The broken line showing of the wheel for motor vehicle is for the purpose of illustrating portions of the wheel for motor vehicle and forms no part of the claimed design.

1 Claim, 2 Drawing Sheets



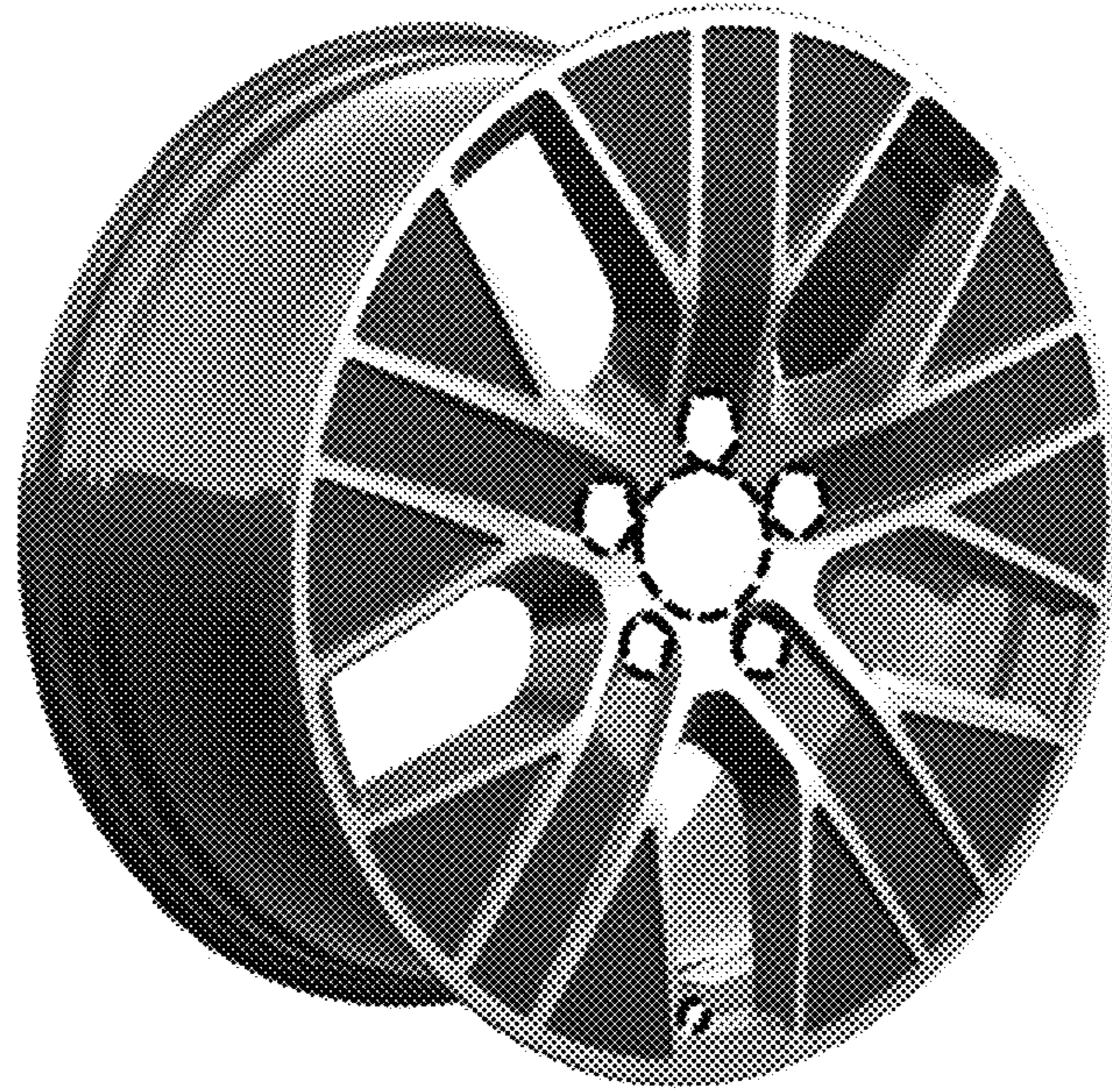


FIG. 1

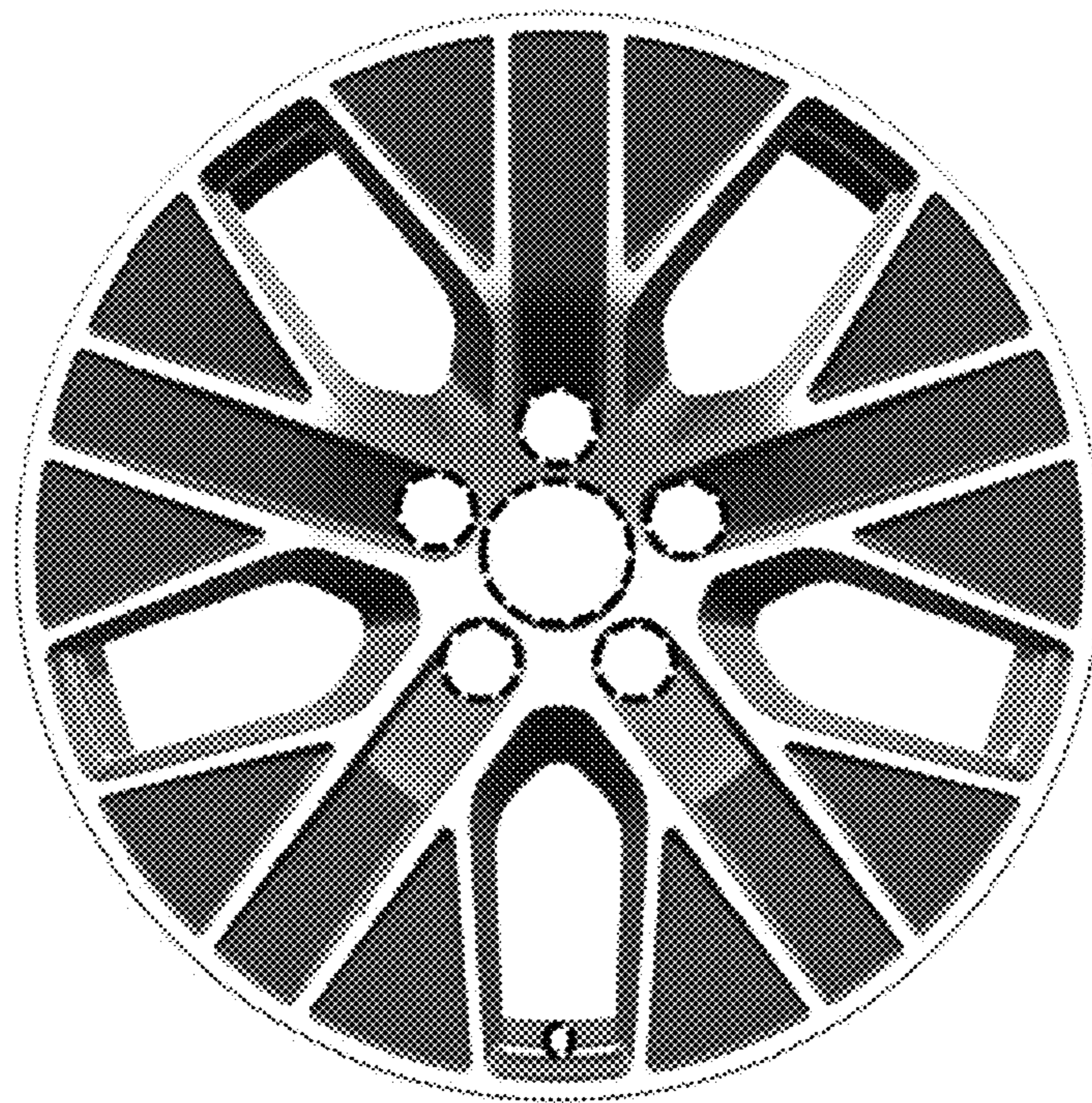


FIG. 2

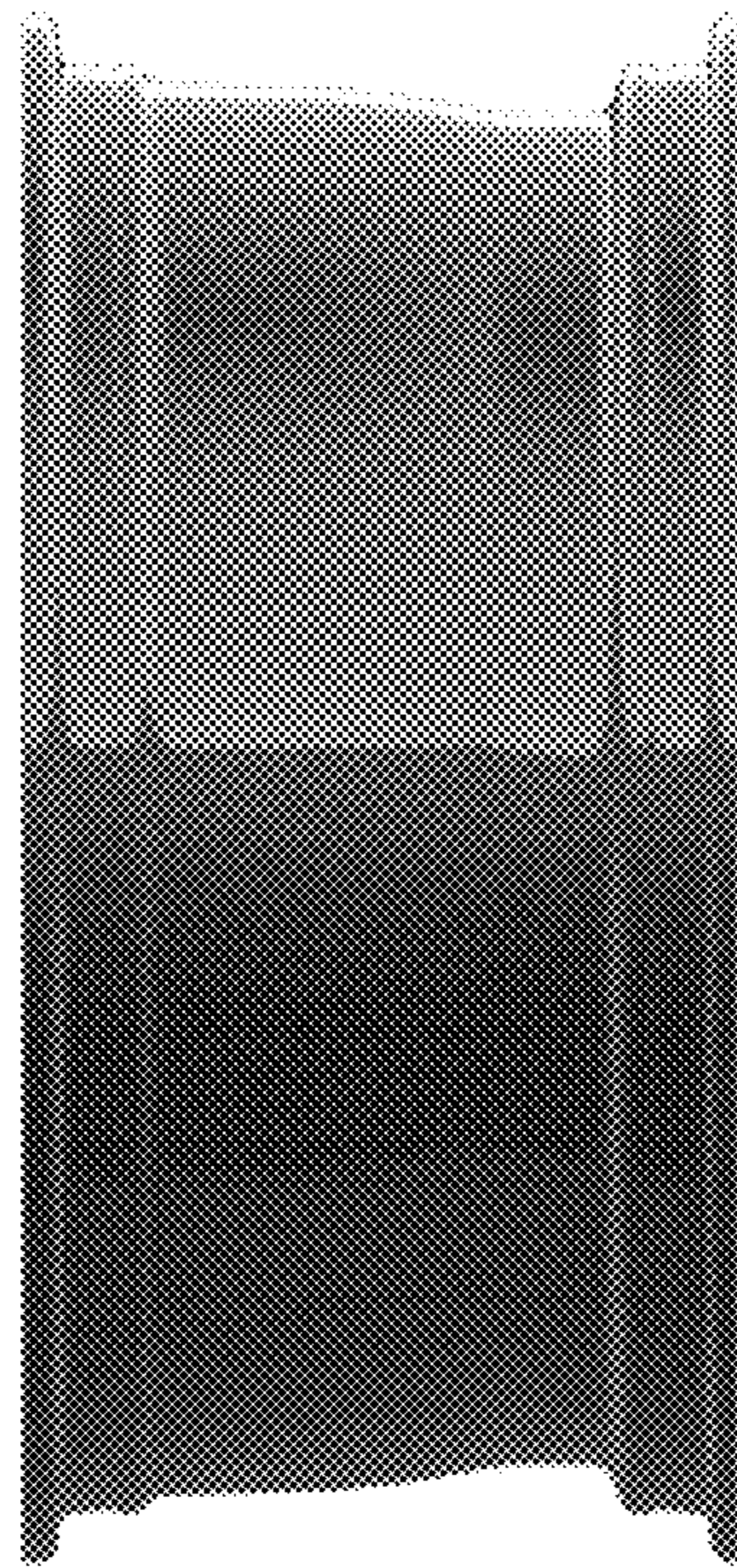


FIG. 3