



US00D865606S

(12) **United States Design Patent**  
**Han**

(10) **Patent No.:** **US D865,606 S**

(45) **Date of Patent:** **\*\* Nov. 5, 2019**

(54) **AUTOMOTIVE WHEEL**

(71) Applicant: **Donnie Han**, Corona, CA (US)

(72) Inventor: **Donnie Han**, Corona, CA (US)

(\*\*) Term: **15 Years**

(21) Appl. No.: **29/665,838**

(22) Filed: **Oct. 8, 2018**

(51) **LOC (12) Cl.** ..... **12-16**

(52) **U.S. Cl.**

USPC ..... **D12/204**

(58) **Field of Classification Search**

USPC ..... D12/204-213

CPC .... B60B 7/00; B60B 7/02; B60B 7/04; B60B 7/01; B60B 7/06; B60B 3/02; B60B 3/04; B60B 3/06; B60B 3/10; B60B 1/00; B60B 1/08; B60B 1/10; B60B 1/12

See application file for complete search history.

(56) **References Cited**

**U.S. PATENT DOCUMENTS**

2,606,076 A \* 8/1952 Frazer ..... B62K 9/00  
301/64.304

D293,233 S \* 12/1987 Berg ..... D12/204

D433,369 S *	11/2000	Chung	.....	D12/208
D551,608 S *	9/2007	Humphrey	.....	D12/204
D578,945 S *	10/2008	McGoon, IV	.....	D12/204
D663,246 S *	7/2012	Hohman	.....	D12/204
D805,987 S *	12/2017	Major	.....	D12/204
D811,304 S *	2/2018	Chung	.....	D12/209
D823,214 S *	7/2018	Chung	.....	D12/209
D826,829 S *	8/2018	Floyd, Sr.	.....	D12/213
D828,798 S *	9/2018	Chung	.....	D12/208
D832,765 S *	11/2018	Han	.....	D12/211
D833,361 S *	11/2018	Han	.....	D12/209
D842,208 S *	3/2019	Hale, Jr.	.....	D12/213

\* cited by examiner

*Primary Examiner* — Stacia A Cadmus

(57) **CLAIM**

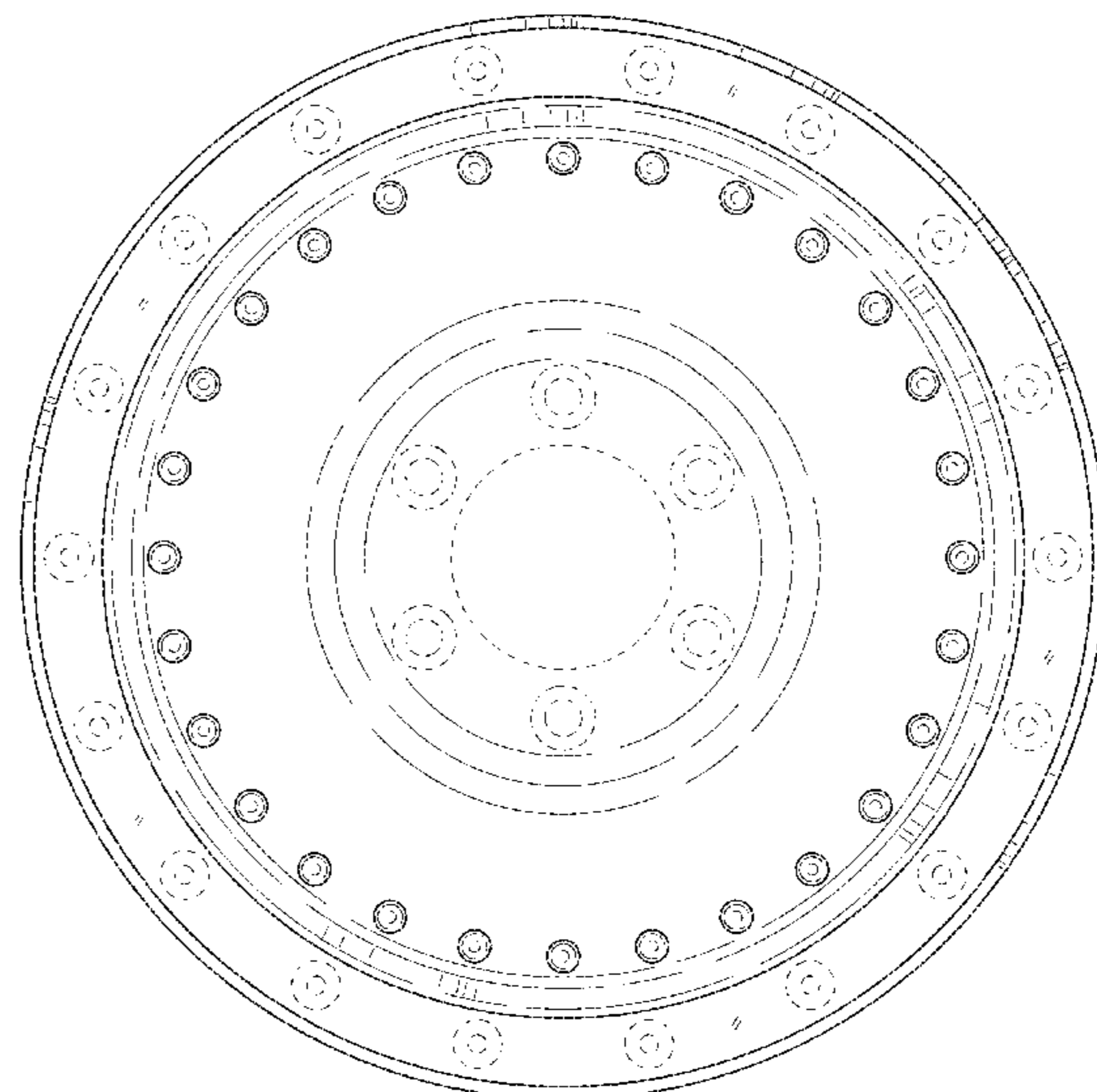
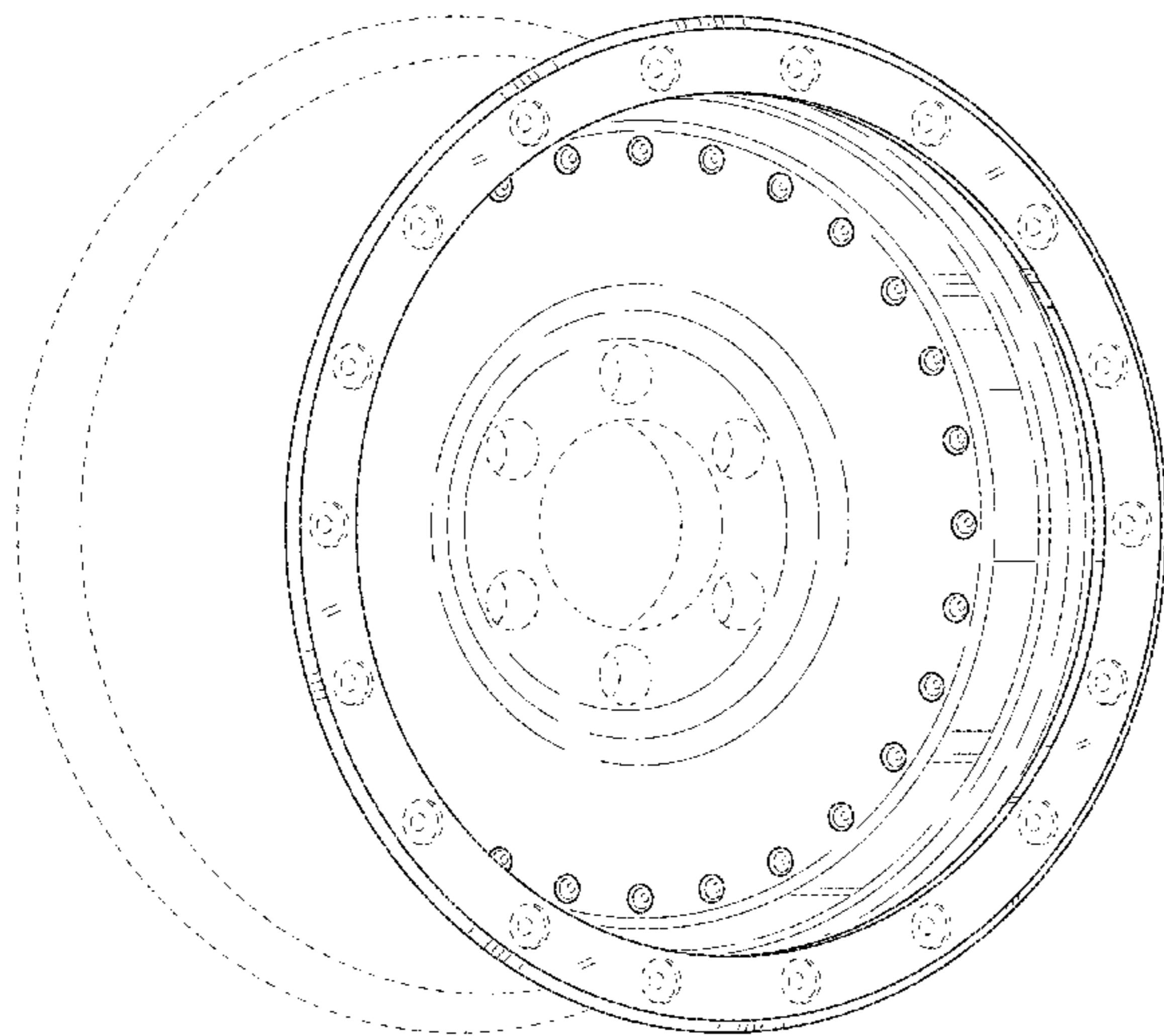
The ornamental design for an automotive wheel, as shown and described.

**DESCRIPTION**

FIG. 1 is a perspective view of an automobile wheel showing my new design; and, FIG. 2 is a front view thereof.

In the drawings, the broken lines depict environmental subject matter and form no part of the claimed design.

**1 Claim, 2 Drawing Sheets**



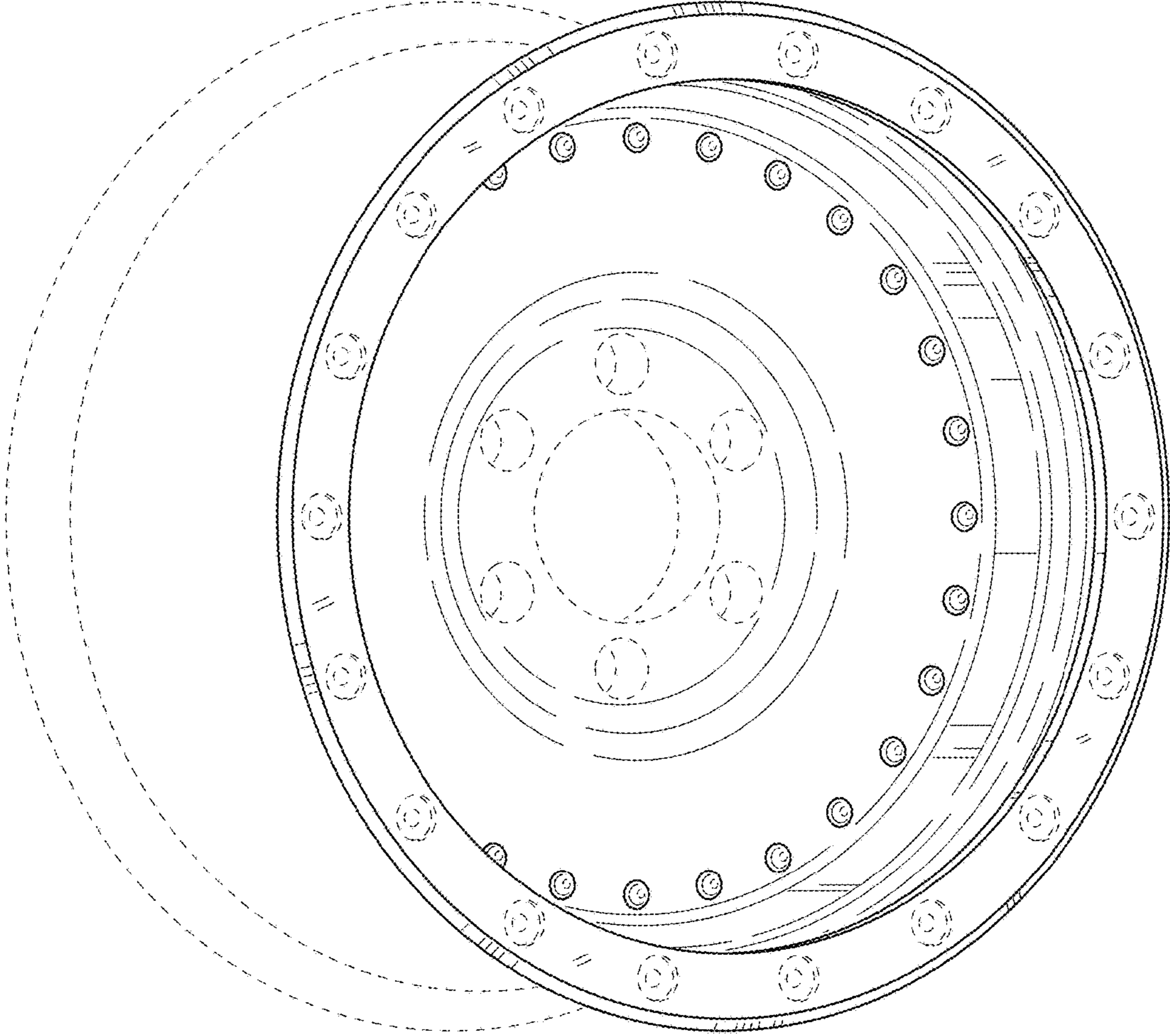


FIGURE 1

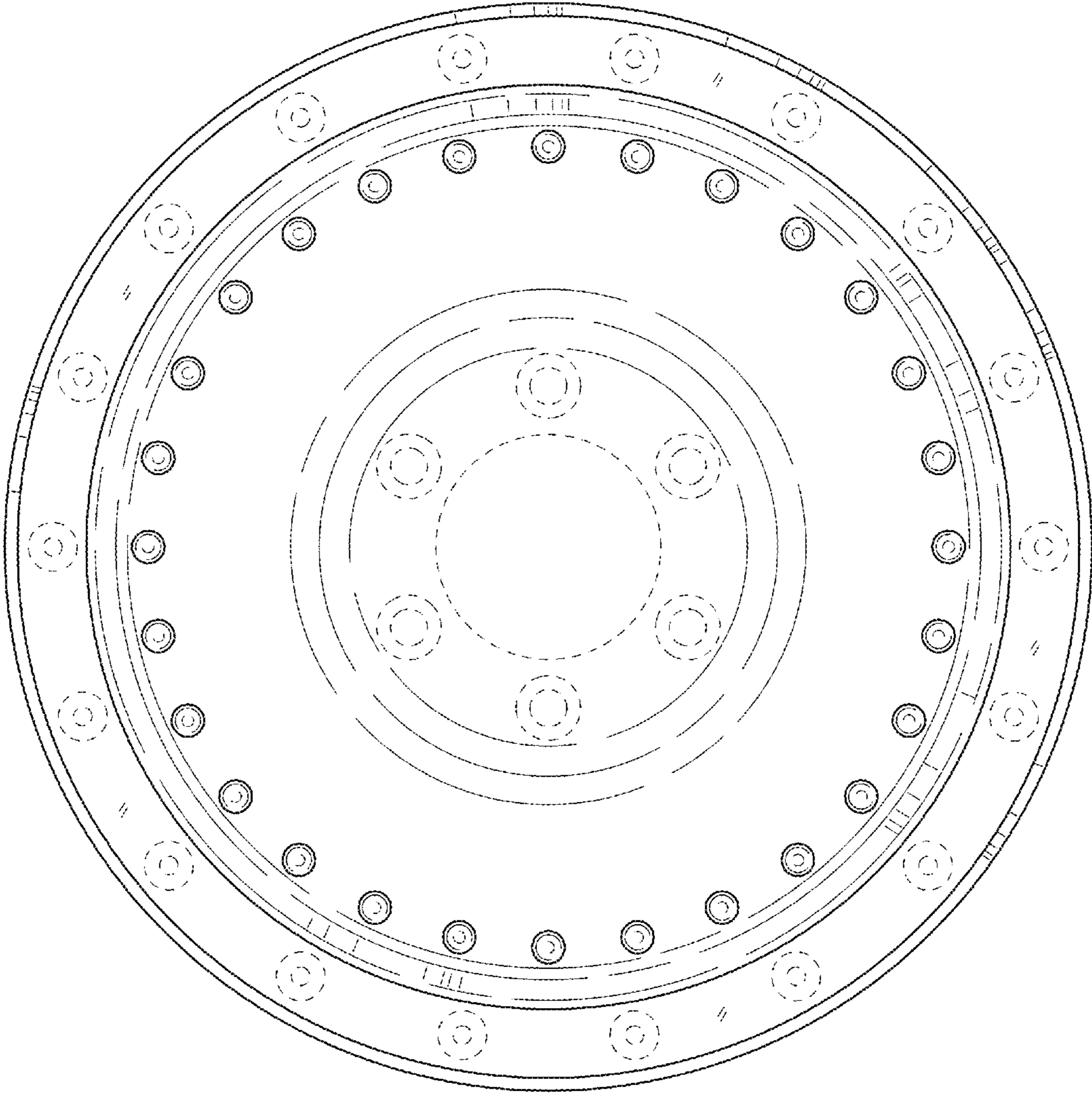


FIGURE 2