



US00D865605S

(12) **United States Design Patent** (10) **Patent No.:** **US D865,605 S**
Grewer (45) **Date of Patent:** **** Nov. 5, 2019**

(54) **REAR TAILGATE FOR A VEHICLE**
(71) Applicant: **Jaguar Land Rover Limited**, Whitley,
Coventry (GB)

(72) Inventor: **Dale Grewer**, Coventry (GB)

(73) Assignee: **Jaguar Land Rover Limited**, Whitley,
Coventry (GB)

(**) Term: **15 Years**

(21) Appl. No.: **29/637,866**

(22) Filed: **Feb. 22, 2018**

(30) **Foreign Application Priority Data**

Sep. 6, 2017 (EM) 004244267

(51) **LOC (12) Cl.** **12-16**

(52) **U.S. Cl.**
USPC **D12/196**

(58) **Field of Classification Search**
USPC D12/86, 90, 91, 92, 163, 169, 171, 196,
D12/216

CPC B60R 19/02; B60R 19/03; B60R 19/04;
B62D 25/08; B62D 25/12; B60J 5/10;
B60J 5/101; B60J 5/102; B60J 5/103;
B60J 5/107

See application file for complete search history.

(56) **References Cited**

U.S. PATENT DOCUMENTS

- 2,391,310 A * 12/1945 Heller B60R 5/04
224/496
- 2,772,041 A * 11/1956 Zeabari B60R 9/06
224/42.32
- 2,889,619 A * 6/1959 Robinson B23K 33/008
228/137
- 3,783,655 A * 1/1974 Giannetto E05B 83/16
70/1.5

- D243,077 S * 1/1977 Pray D12/196
- 6,357,815 B1 * 3/2002 Queveau B60J 7/205
296/107.08
- D463,999 S * 10/2002 Beck D12/16
- D491,104 S * 6/2004 Berg D12/7
- 7,017,969 B1 * 3/2006 Kirkham B60R 13/011
296/39.1

(Continued)

Primary Examiner — Susan Bennett Hattan

Assistant Examiner — Suzanne E Tisdell

(74) *Attorney, Agent, or Firm* — Wood Herron & Evans
LLP

(57) **CLAIM**

The ornamental design for a rear tailgate for a vehicle, as shown and described.

DESCRIPTION

FIG. 1 is a front right perspective view of a rear tailgate for a vehicle according to the present invention.

FIG. 2 is a front left perspective view of the rear tailgate shown in FIG. 1.

FIG. 3 is a rear left perspective view thereof.

FIG. 4 is a rear right perspective view thereof.

FIG. 5 is a front view thereof.

FIG. 6 is a rear view thereof.

FIG. 7 is a right side view thereof.

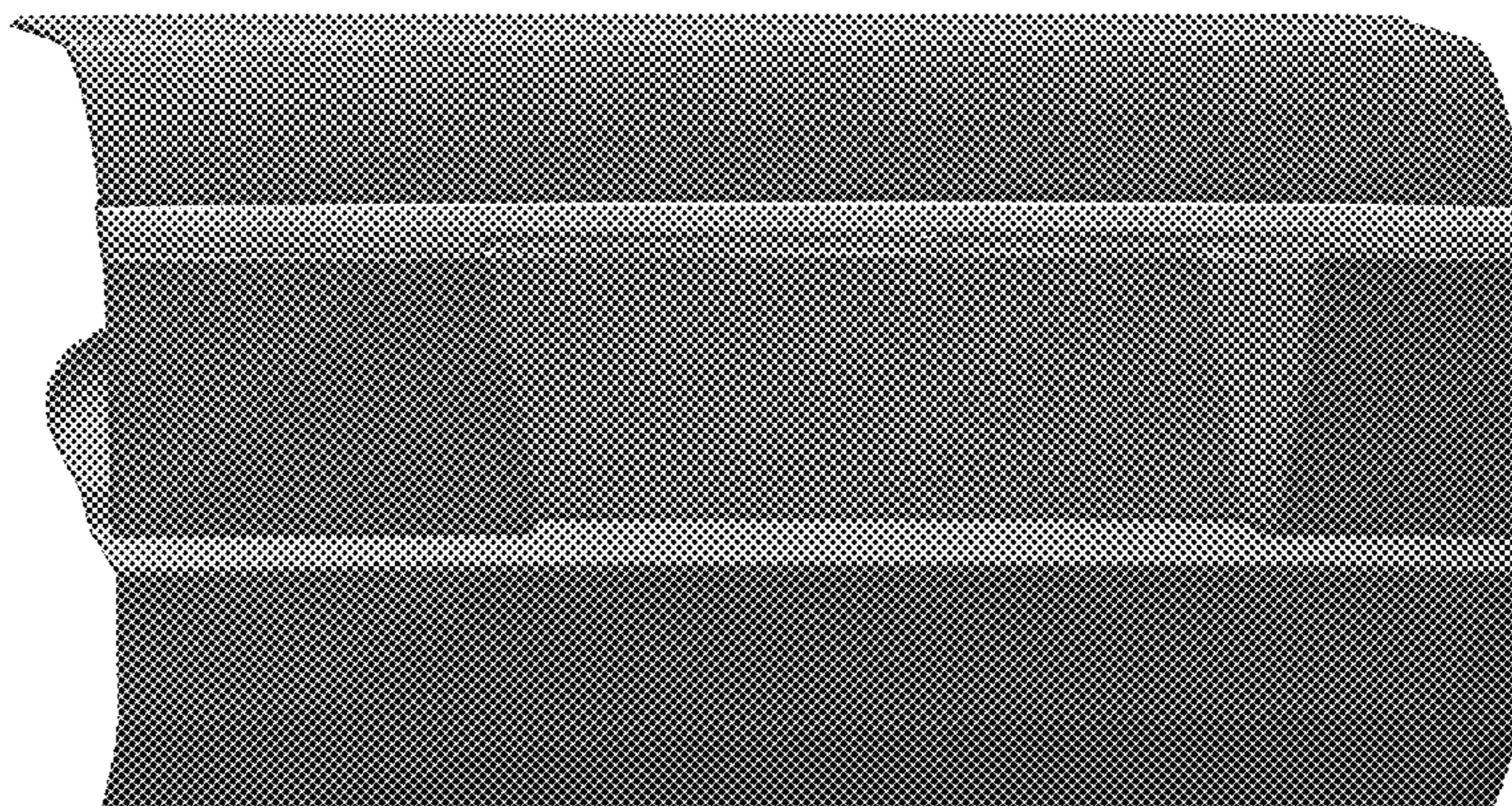
FIG. 8 is a left side view thereof.

FIG. 9 is a top view thereof.

FIG. 10 is a bottom view thereof; and,

FIG. 11 is a top view of the rear tailgate shown in FIGS. 1-10, but with the rear tailgate mounted on a vehicle, and the rest of the vehicle shown in de-emphasized and half-tone portions to illustrate environmental structure. These portions form no part of the claimed design. More specifically, in FIG. 11, the inventive rear tailgate is shown within the broken line, and the elements shown outside the broken line form no part of the claimed design, but are included to show environmental aspects thereof.

1 Claim, 11 Drawing Sheets



(56)

References Cited

U.S. PATENT DOCUMENTS

7,341,289 B2 * 3/2008 Schretzlmeier E05B 83/26
292/92
D596,546 S * 7/2009 Habib D12/196
7,597,378 B2 * 10/2009 Ichinose B62D 25/105
296/76
D695,177 S * 12/2013 Matsueda D12/196
D764,994 S * 8/2016 Jo D12/196
D785,532 S * 5/2017 Park D12/196
D791,030 S * 7/2017 Faghih-zadeh D12/196
D813,773 S * 3/2018 Cho D12/196
D823,211 S * 7/2018 Lim D12/196
D825,421 S * 8/2018 Kim D12/196
D829,625 S * 10/2018 Kim D12/196
D831,553 S * 10/2018 Ojea D12/196
D839,168 S * 1/2019 Cho D12/196

* cited by examiner

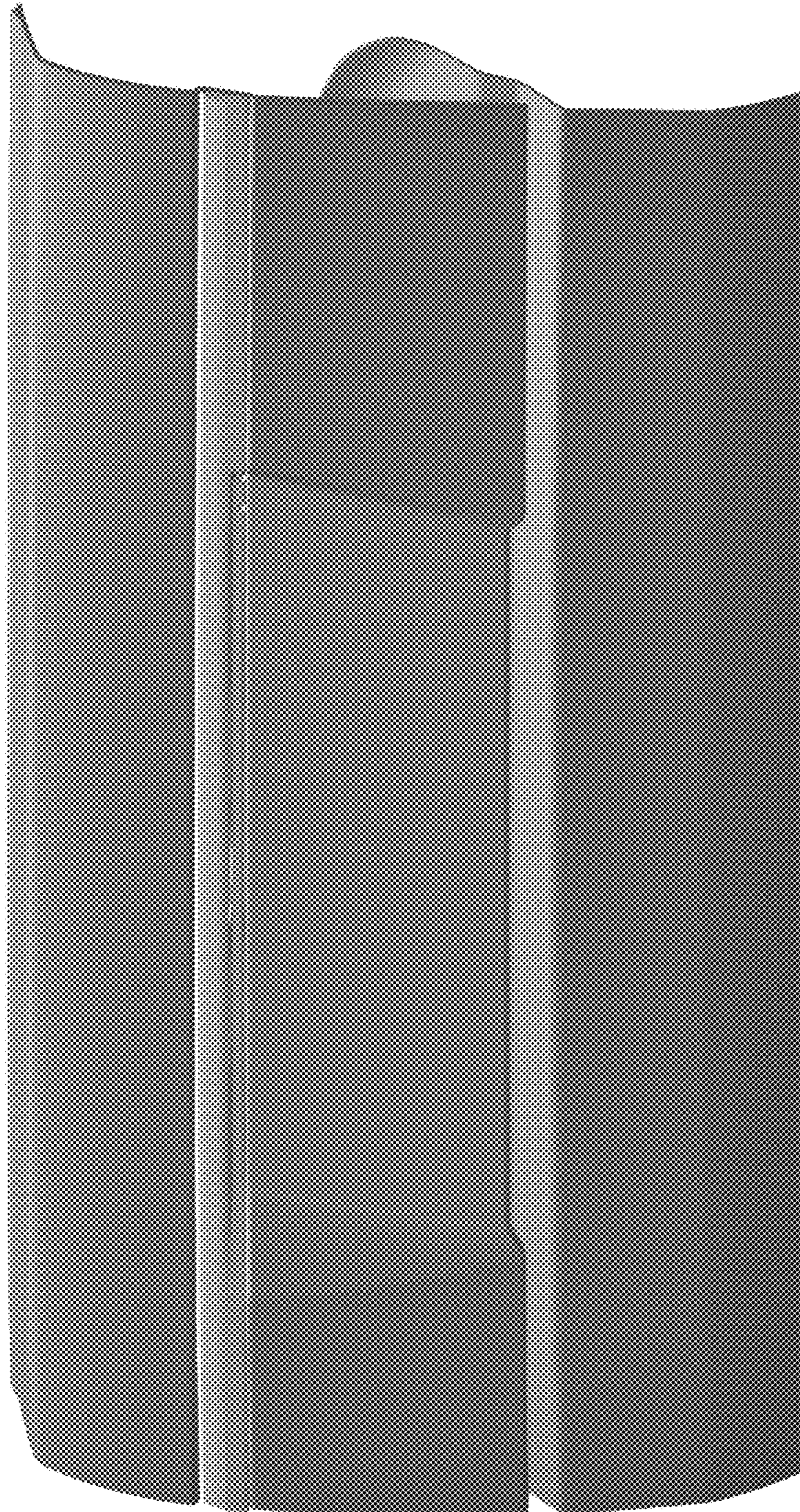


FIG. 1

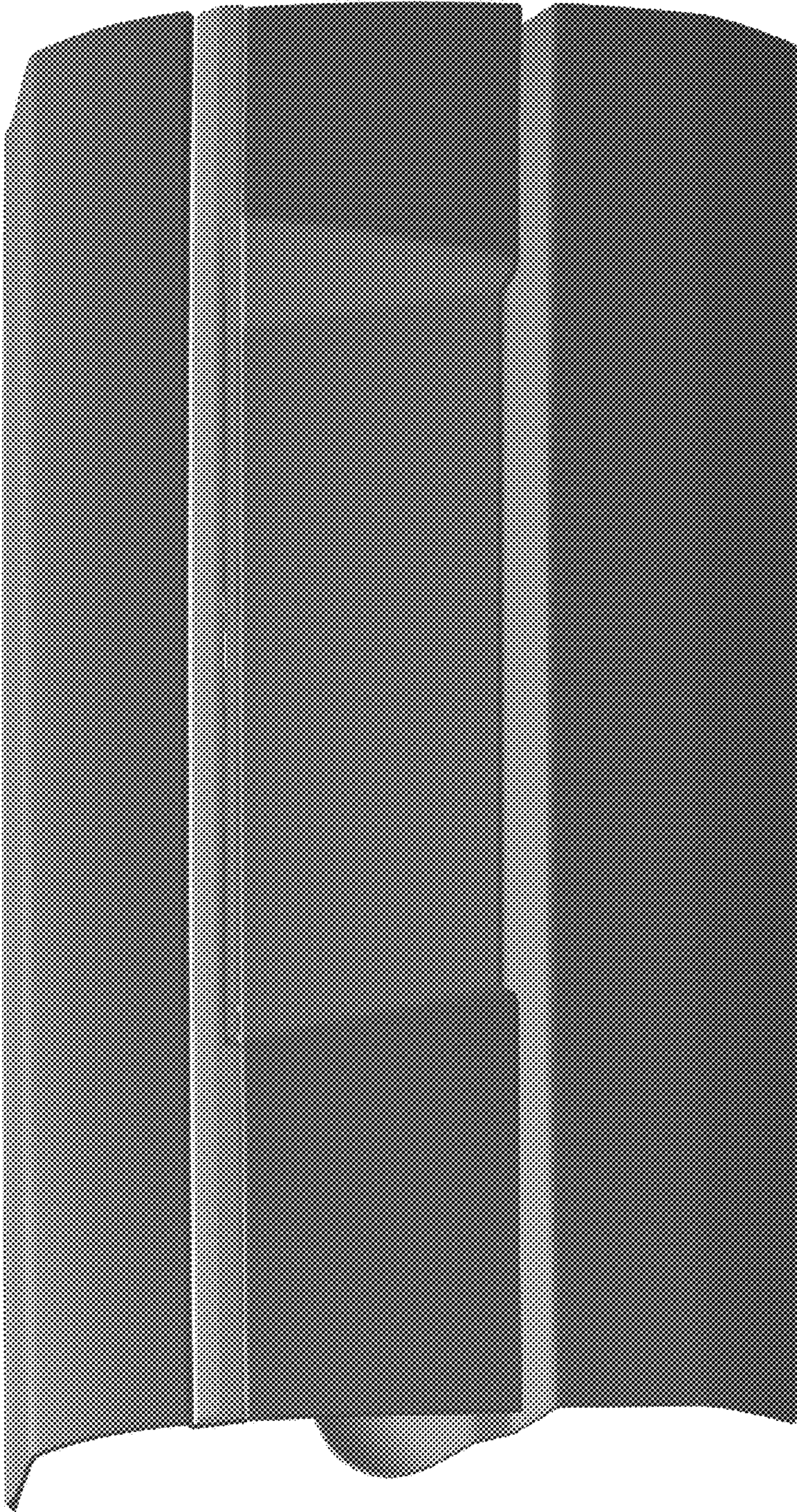


FIG. 2

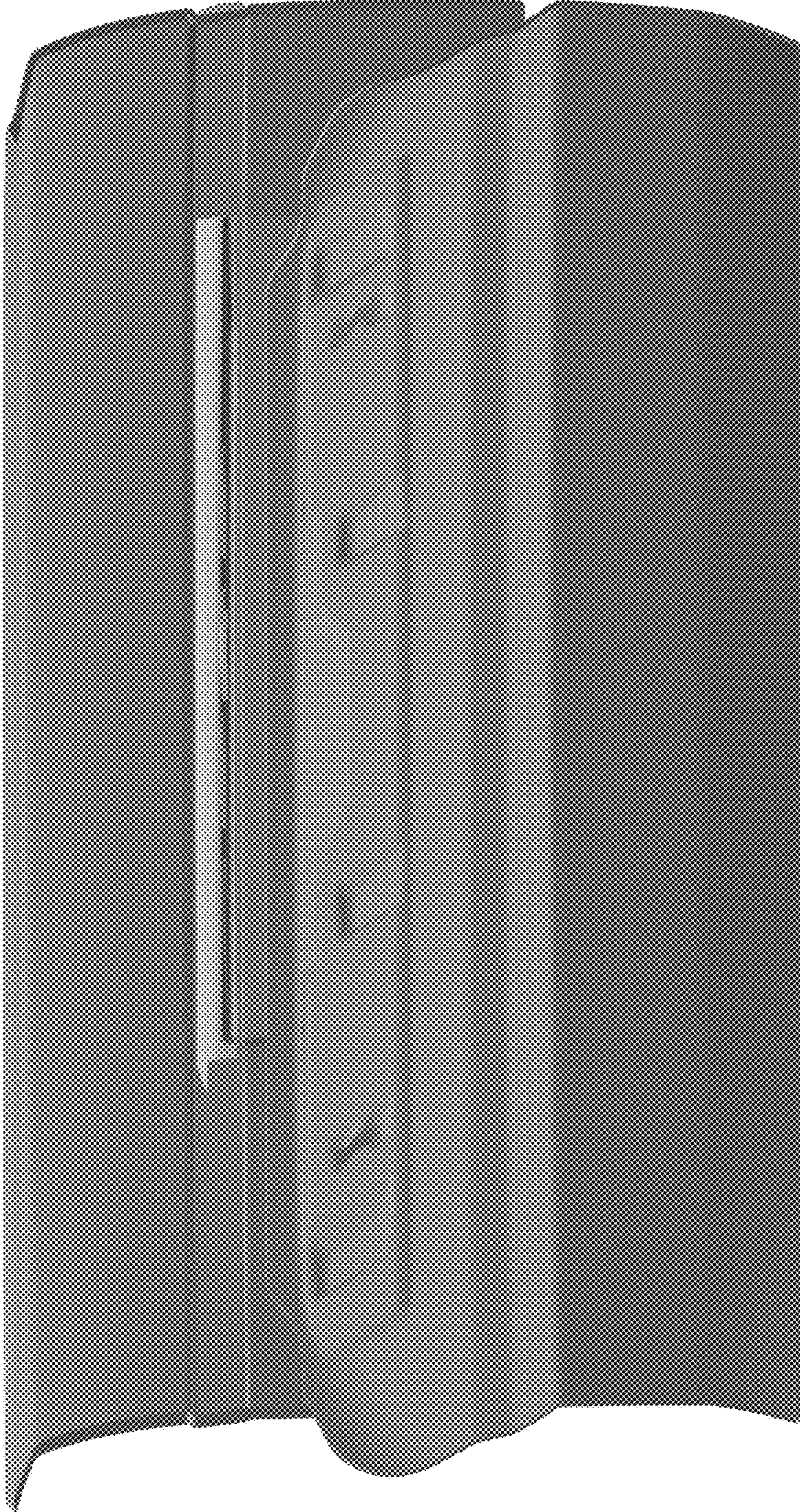


FIG. 3

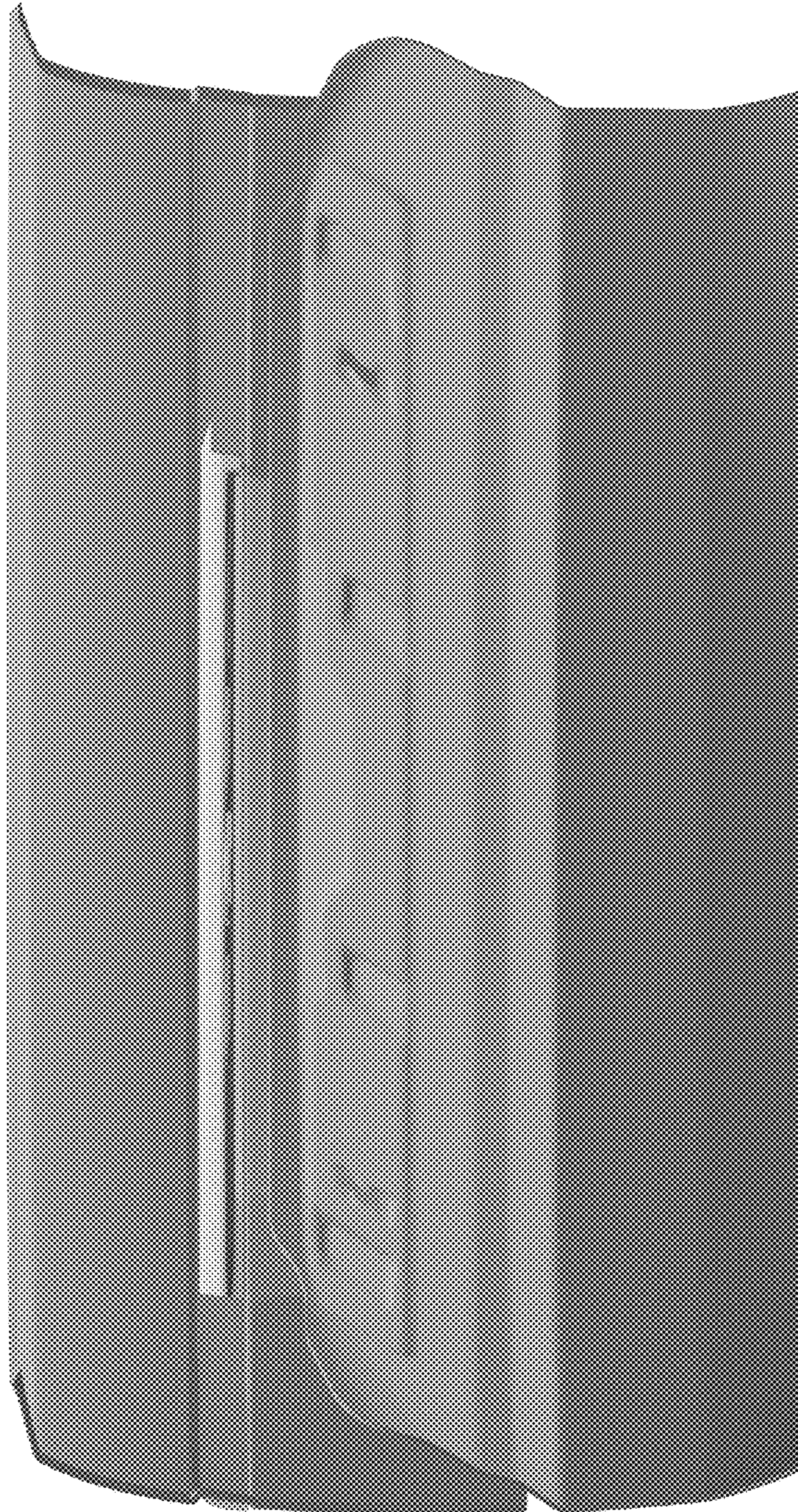


FIG. 4

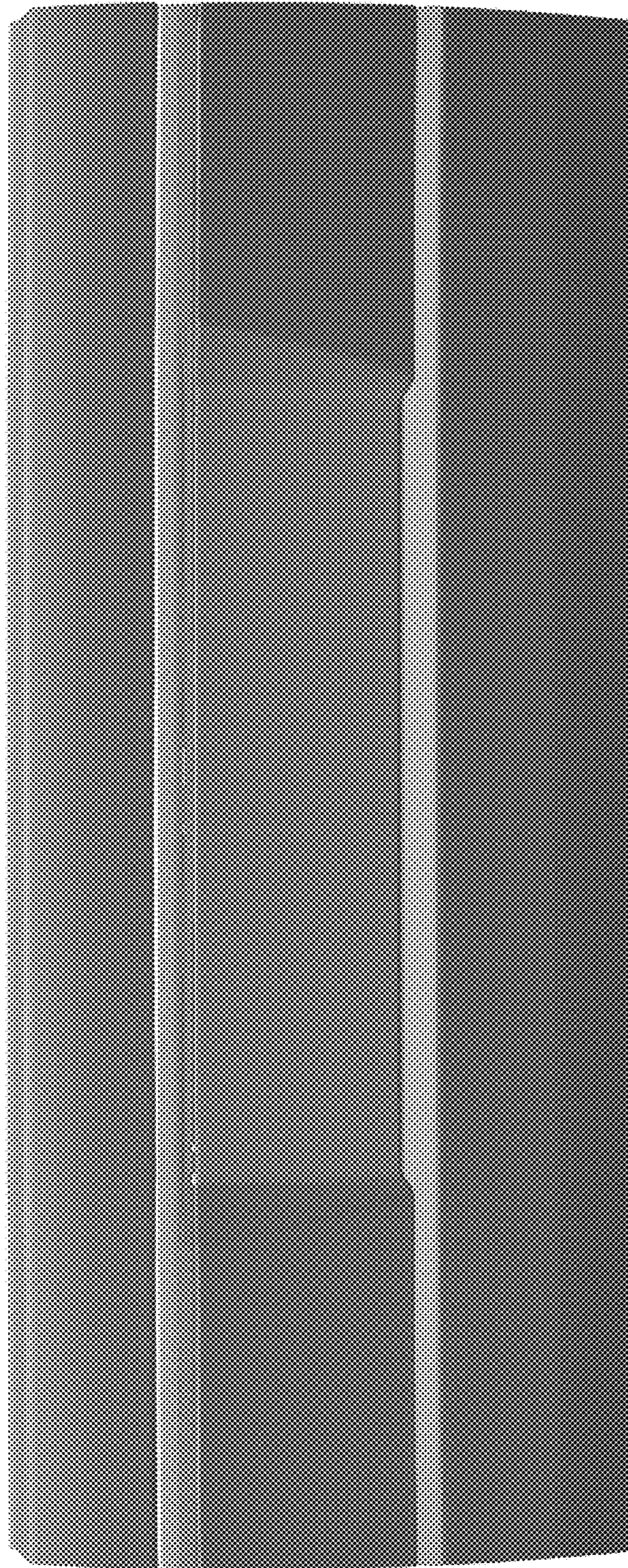


FIG. 5

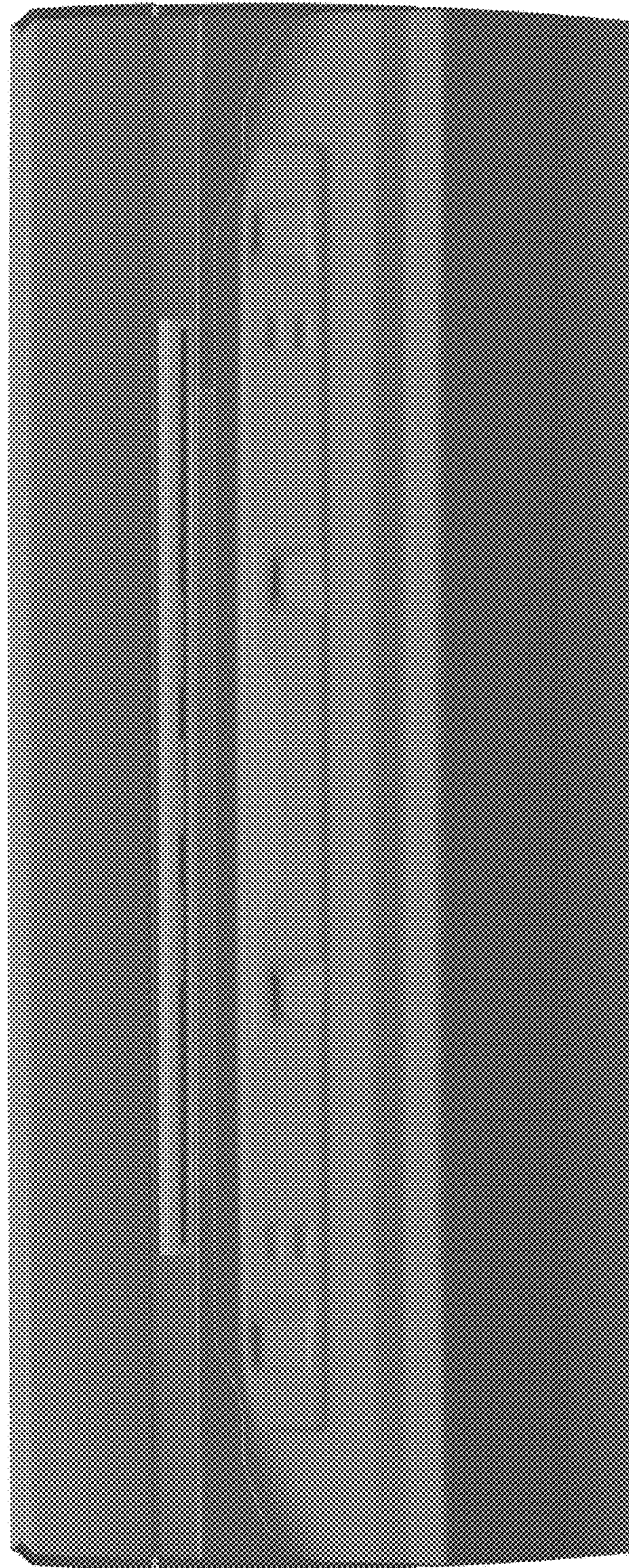


FIG. 6

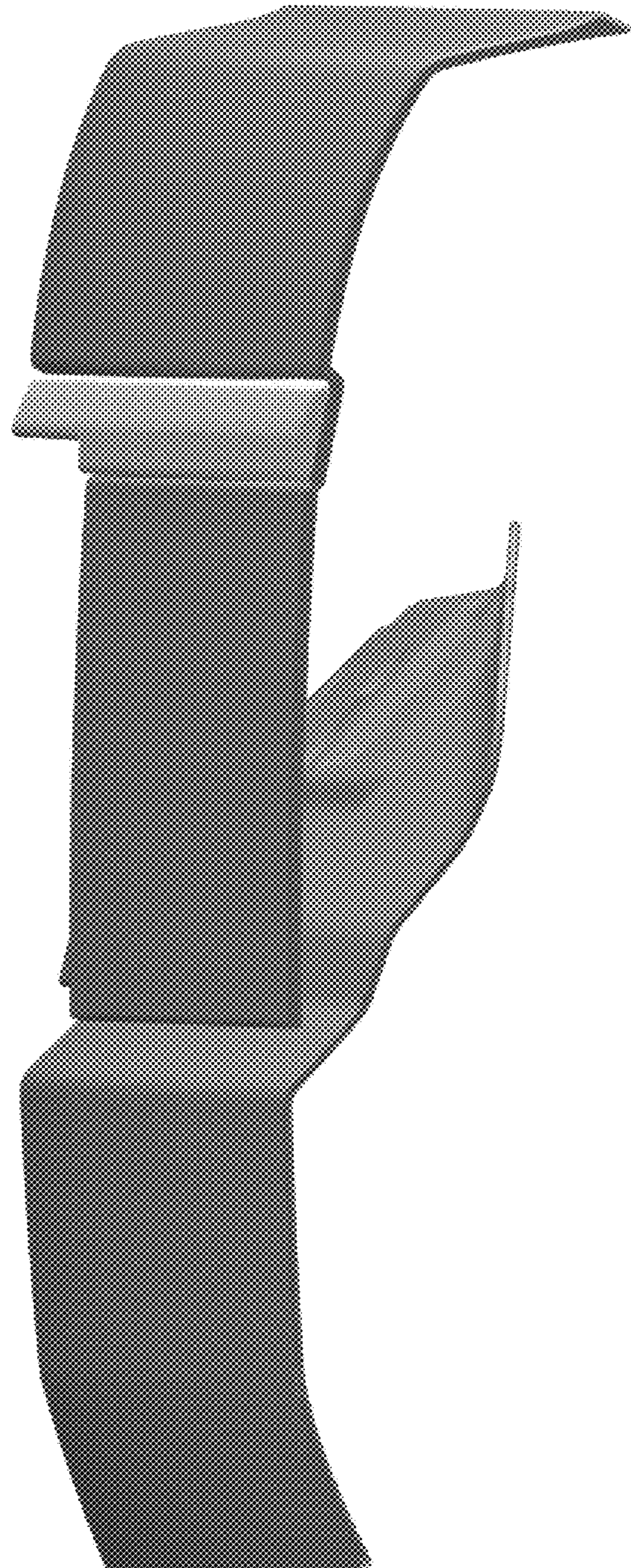


FIG. 7

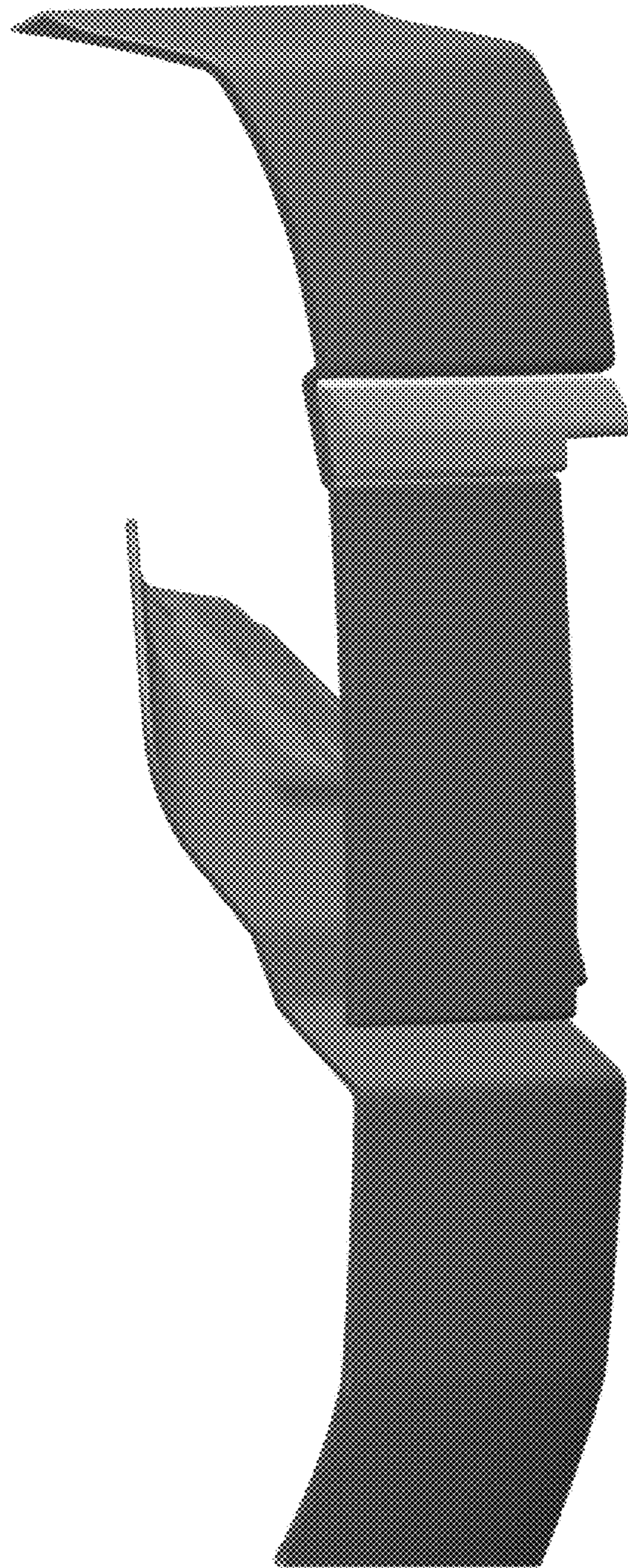


FIG. 8

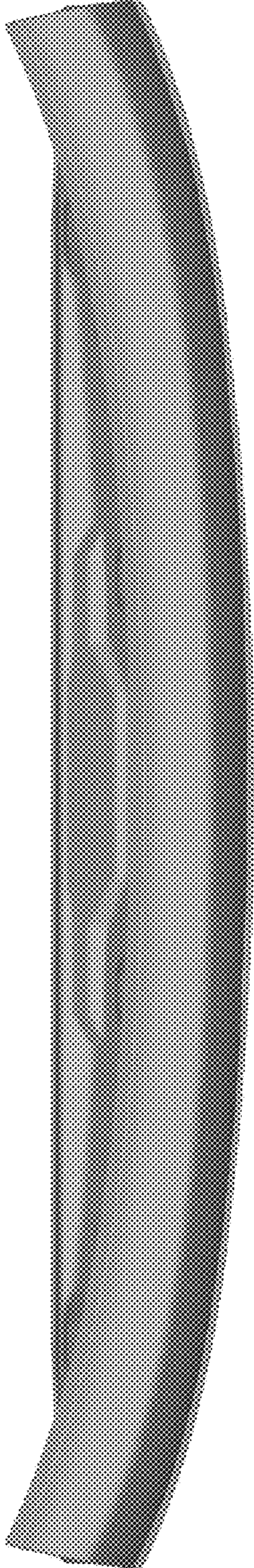


FIG. 9

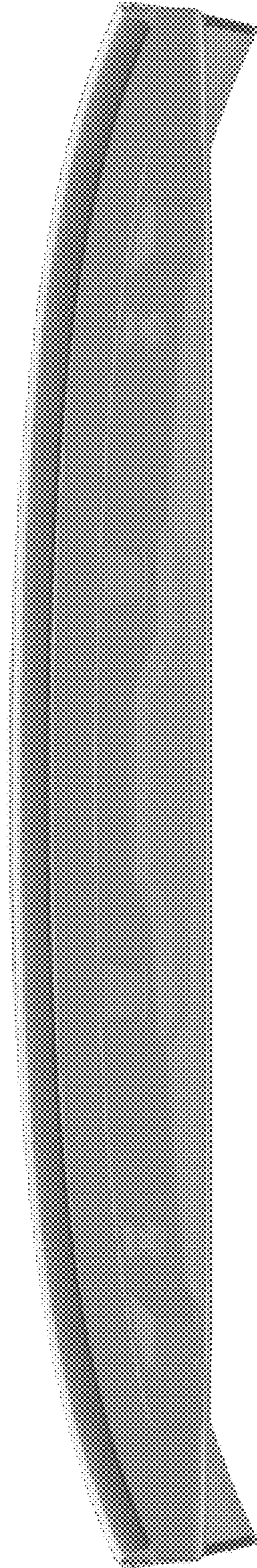


FIG. 10

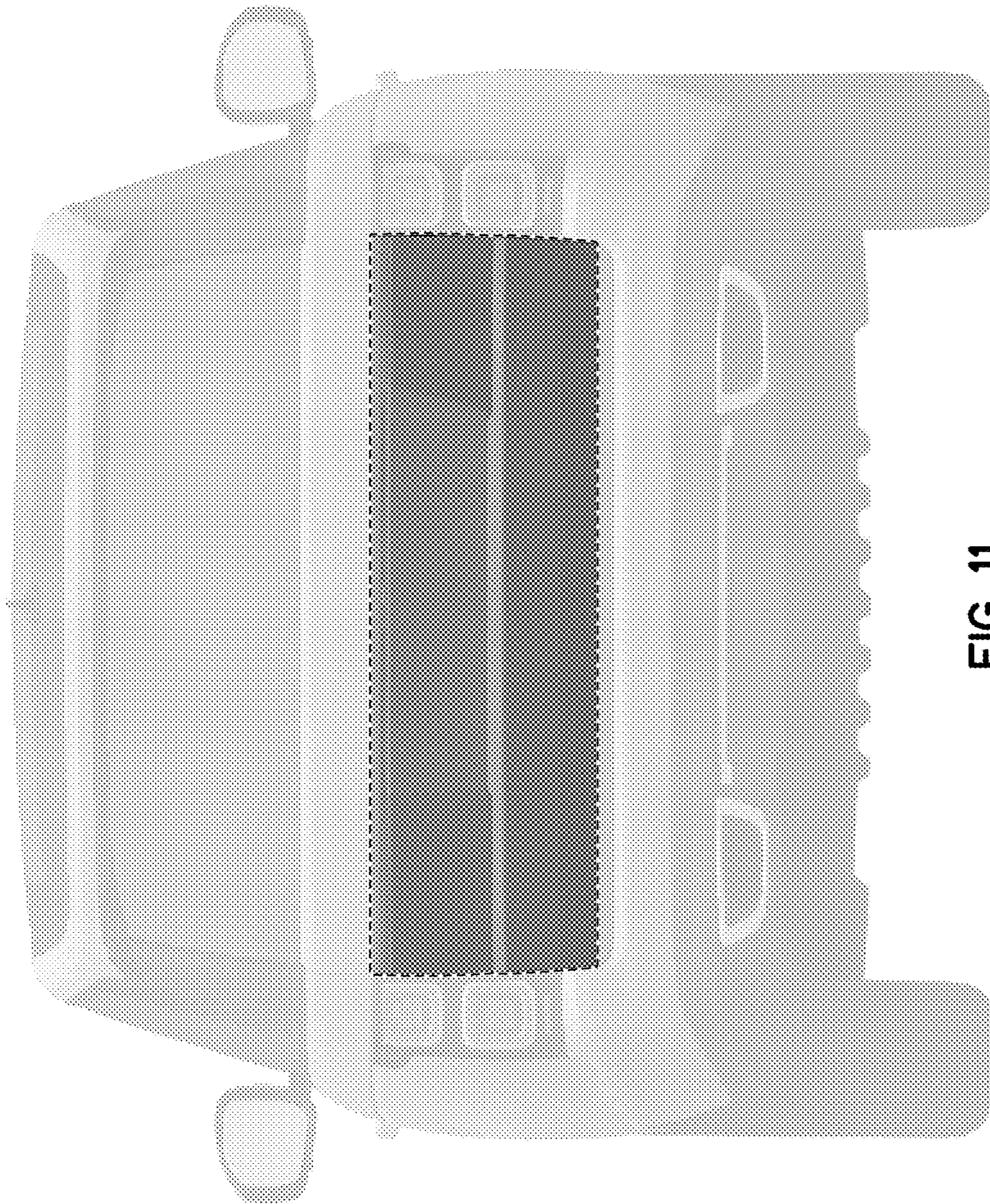


FIG. 11