



US00D865601S

(12) **United States Design Patent** (10) **Patent No.:** **US D865,601 S**
Goodrich et al. (45) **Date of Patent:** **** Nov. 5, 2019**

(54) **TRIM RING**
(71) Applicants: **Stephen Goodrich**, Clawson, MI (US);
Brian H. Nielander, Royal Oak, MI
(US); **Mark T. Allen**, Oxford, MI (US)
(72) Inventors: **Stephen Goodrich**, Clawson, MI (US);
Brian H. Nielander, Royal Oak, MI
(US); **Mark T. Allen**, Oxford, MI (US)
(73) Assignee: **FCA US LLC**, Auburn Hills, MI (US)

(**) Term: **15 Years**

(21) Appl. No.: **29/661,912**

(22) Filed: **Aug. 31, 2018**

Related U.S. Application Data

(63) Continuation-in-part of application No. 29/616,446,
filed on Sep. 6, 2017, now Pat. No. Des. 840,270.

(51) **LOC (12) Cl.** **12-16**

(52) **U.S. Cl.**
USPC **D12/190**

(58) **Field of Classification Search**
CPC B60R 13/005; B60R 13/02; B60R 13/04
See application file for complete search history.

(56) **References Cited**

U.S. PATENT DOCUMENTS

D785,855 S * 5/2017 Svensson D26/139
D805,966 S * 12/2017 Perkins D12/163

D808,316 S * 1/2018 Piscitelli D12/190
D808,317 S * 1/2018 Piscitelli D12/190
D811,650 S * 2/2018 Bucher D26/139
D854,234 S * 7/2019 Lucas D26/139
D854,975 S * 7/2019 Messale D12/163
D854,976 S * 7/2019 Messale D12/163
D855,502 S * 8/2019 Behmer D12/163
D856,200 S * 8/2019 Dewitt D12/163
D856,201 S * 8/2019 Blanski D12/163

* cited by examiner

Primary Examiner — Katrina A Betton

(74) *Attorney, Agent, or Firm* — Ralph E. Smith

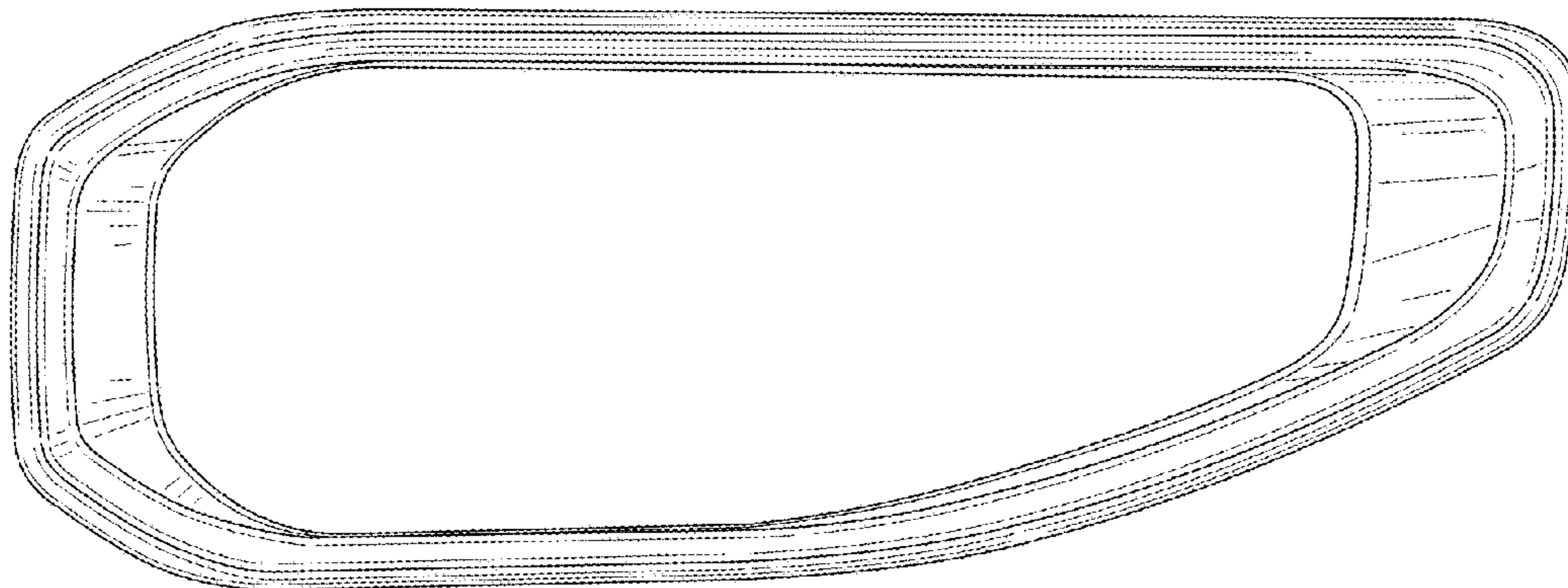
(57) **CLAIM**

The ornamental design for a trim ring, as shown and described.

DESCRIPTION

FIG. 1 is a front perspective view of a trim ring showing our new design;
FIG. 2 is a front view thereof;
FIG. 3 is a rear view thereof;
FIG. 4 is a top view thereof;
FIG. 5 is a bottom view thereof; and,
FIG. 6 is a side view thereof.
It will be understood that the broken lines shown in the drawings illustrate portions of the trim ring that form no part of claimed design.

1 Claim, 6 Drawing Sheets



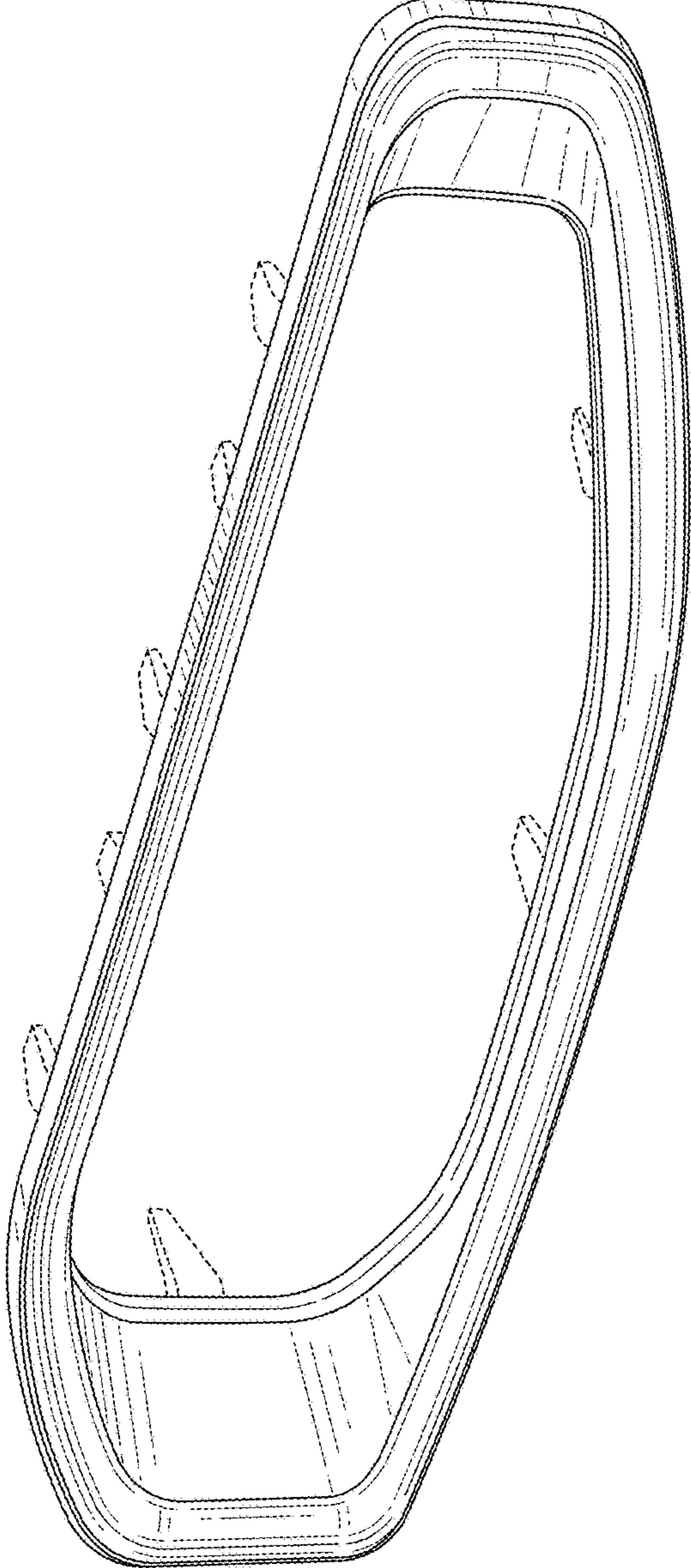


FIG. 1

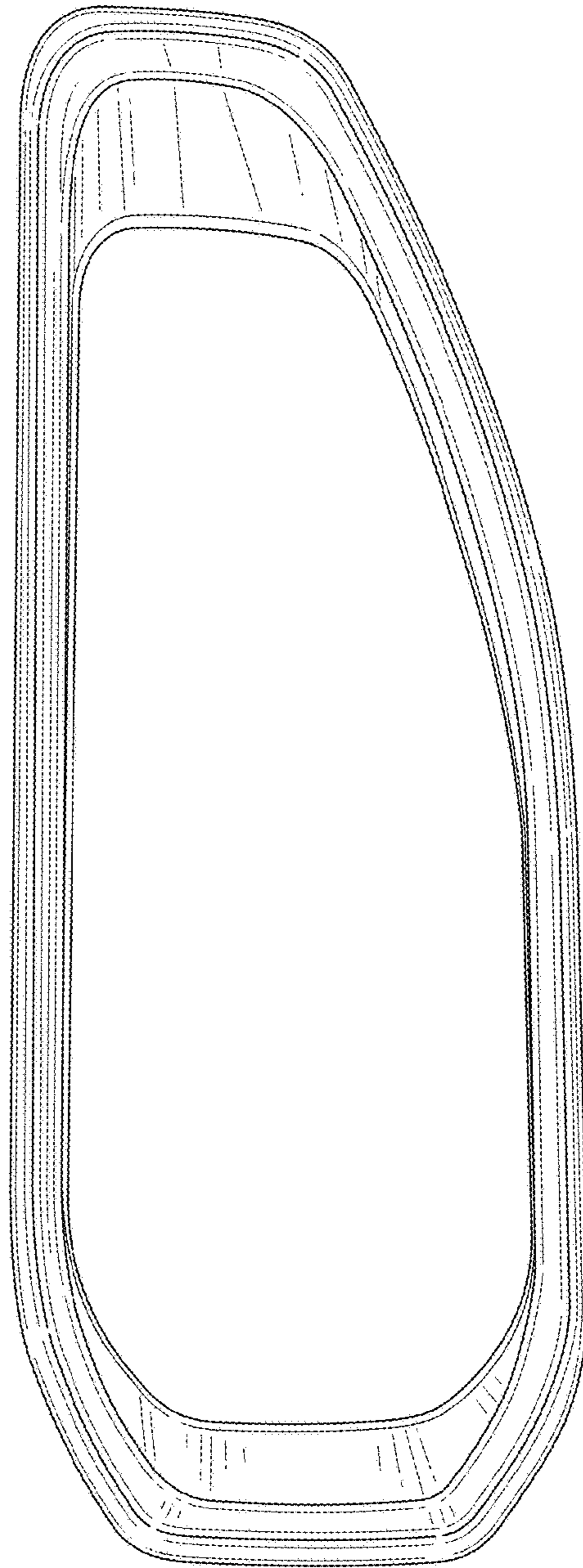


FIG. 2

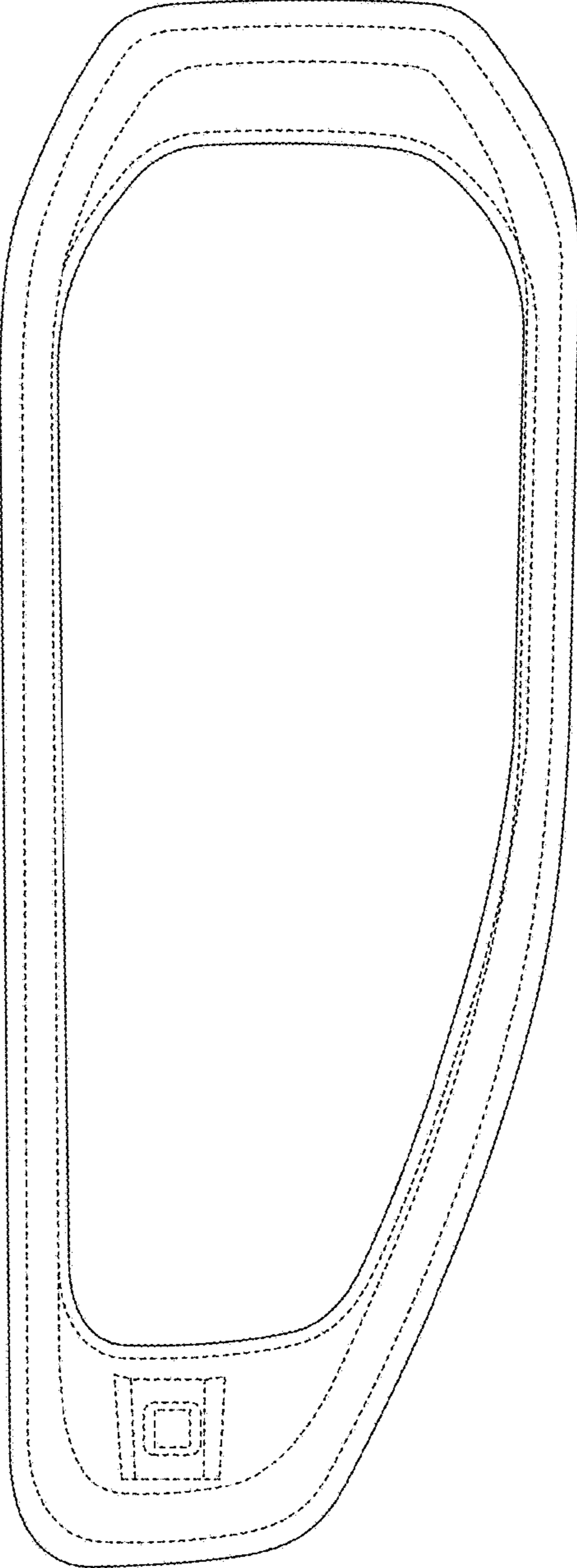
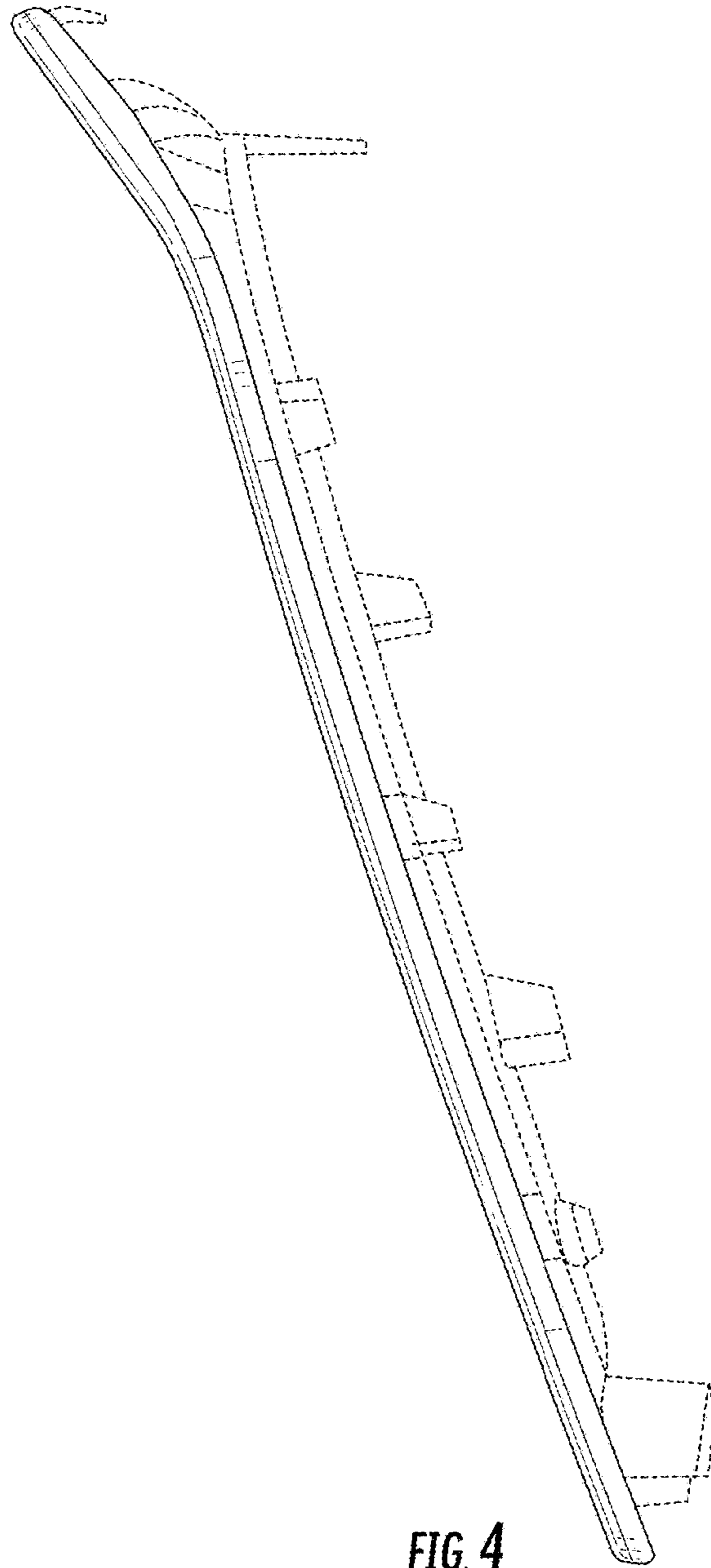


FIG. 3



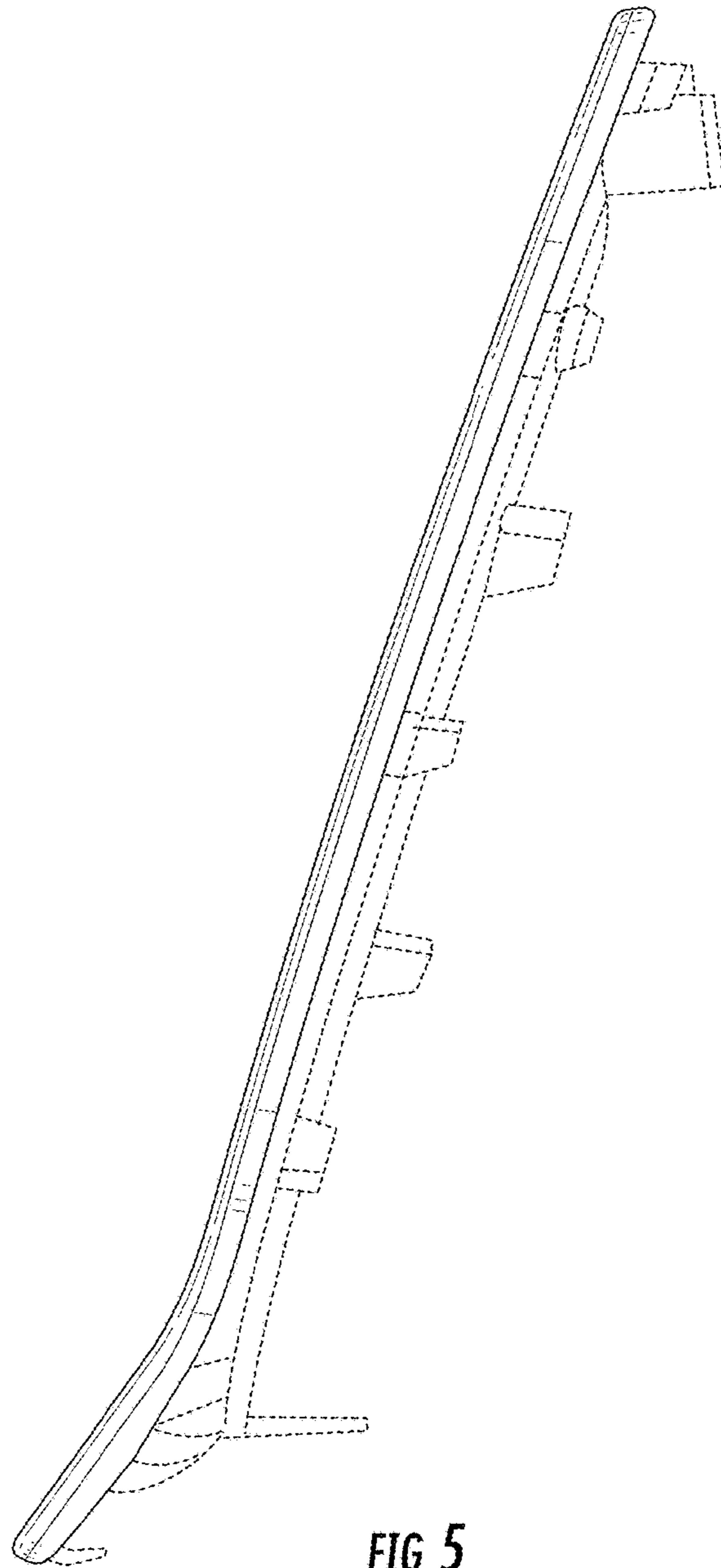


FIG. 5

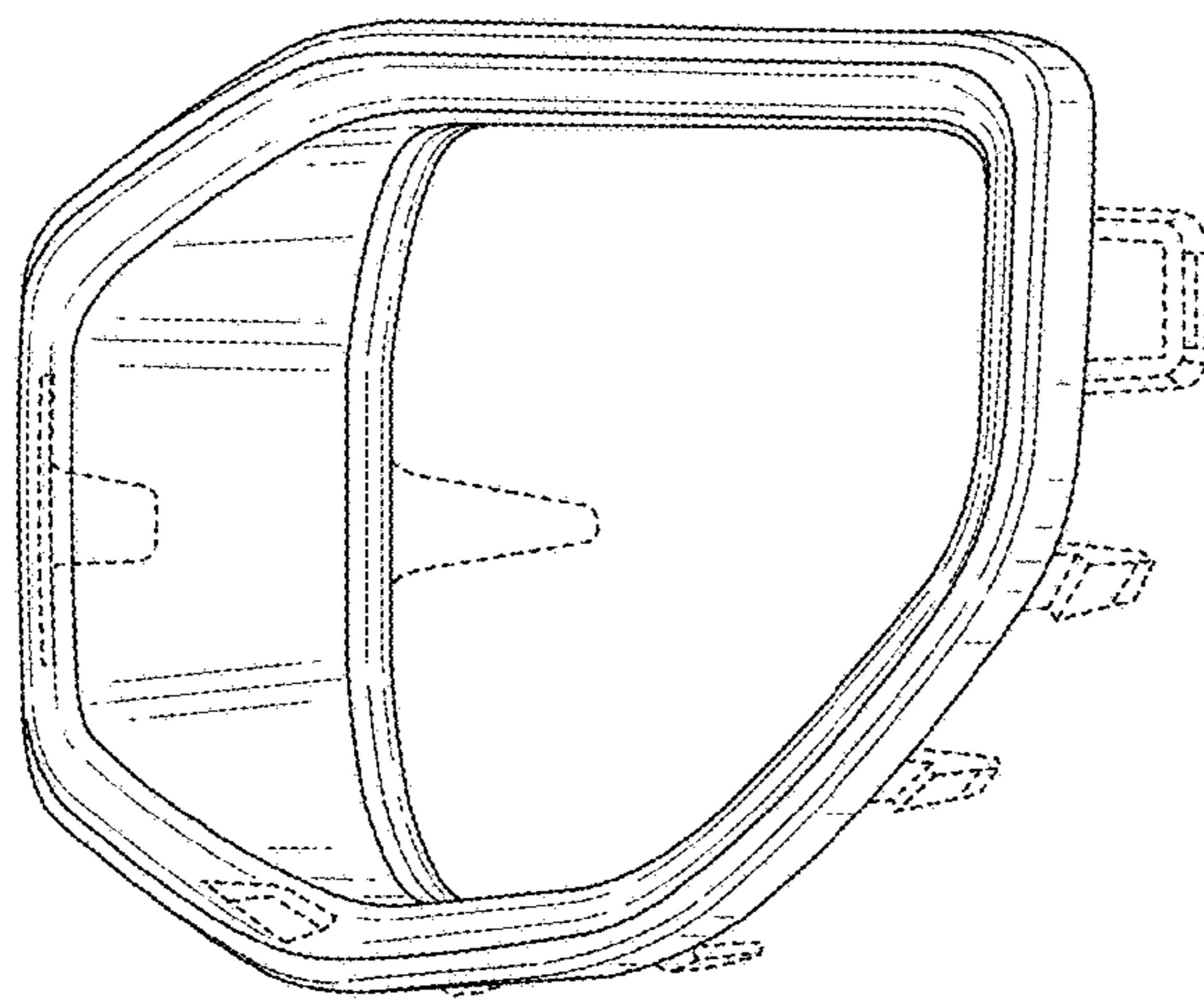


FIG. 6