



US00D865600S

(12) **United States Design Patent**
Goodrich et al.

(10) **Patent No.:** **US D865,600 S**

(45) **Date of Patent:** **** Nov. 5, 2019**

(54) **SIDE MIRROR**

(71) Applicants: **Stephen Goodrich**, Clawson, MI (US);
Brian H. Nielander, Royal Oak, MI
(US); **Mark T. Allen**, Oxford, MI (US)

(72) Inventors: **Stephen Goodrich**, Clawson, MI (US);
Brian H. Nielander, Royal Oak, MI
(US); **Mark T. Allen**, Oxford, MI (US)

(73) Assignee: **FCA US LLC**, Auburn Hills, MI (US)

(**) Term: **15 Years**

(21) Appl. No.: **29/661,894**

(22) Filed: **Aug. 31, 2018**

Related U.S. Application Data

(63) Continuation-in-part of application No. 29/616,446,
filed on Sep. 6, 2017, now Pat. No. Des. 840,270.

(51) **LOC (12) Cl.** **12-16**

(52) **U.S. Cl.**
USPC **D12/187**

(58) **Field of Classification Search**
USPC D12/187, 189; D6/300, 309
CPC B60R 1/076; G02B 7/182; G02B 7/18;
G02B 5/08
See application file for complete search history.

(56) **References Cited**

U.S. PATENT DOCUMENTS

D731,379 S * 6/2015 Behmer D12/187
D761,173 S * 7/2016 Faghihzadeh D12/187
D782,377 S * 3/2017 Curic D12/187
D783,478 S * 4/2017 Suzuki D12/187
D827,531 S * 9/2018 Bucher D12/187

D829,141 S * 9/2018 Scheinhutte D12/187
D832,167 S * 10/2018 Loeb D12/187
D833,932 S * 11/2018 Akrapovic D12/187
D851,002 S * 6/2019 Kozub D12/187
D854,194 S * 7/2019 Heiner D26/1

* cited by examiner

Primary Examiner — Katrina A Betton

(74) *Attorney, Agent, or Firm* — Ralph E. Smith

(57) **CLAIM**

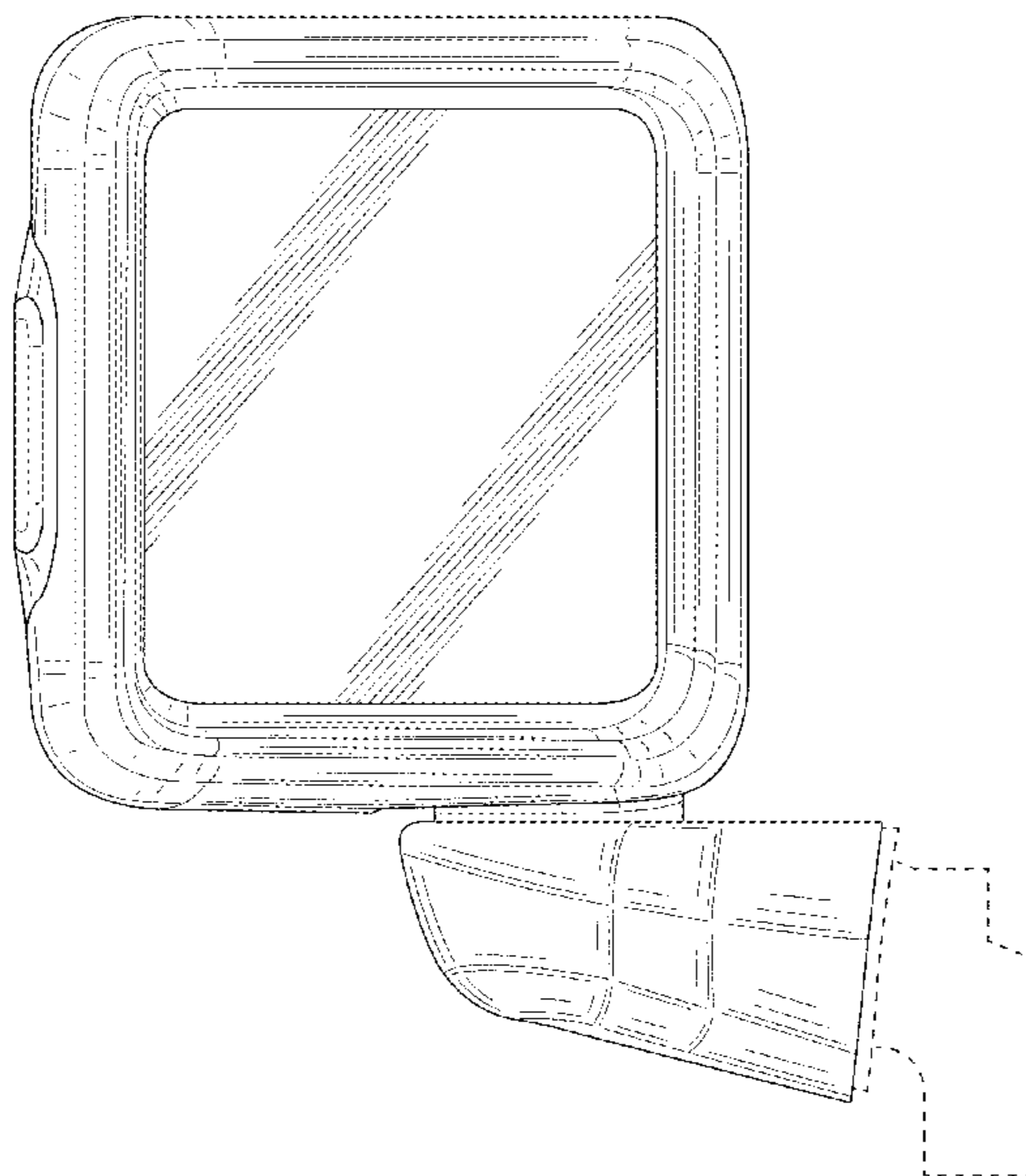
The ornamental design for a side mirror, as shown and described.

DESCRIPTION

FIG. 1 is a front perspective view of a side mirror showing our new design;
FIG. 2 is a front view thereof;
FIG. 3 is a rear view thereof;
FIG. 4 is a side view thereof;
FIG. 5 is a top view thereof;
FIG. 6 is a bottom view thereof;
FIG. 7 is a front perspective view showing a second embodiment of FIG. 1 thereof;
FIG. 8 is a front view showing a second embodiment of FIG. 2 thereof;
FIG. 9 is a rear view showing a second embodiment of FIG. 3 thereof;
FIG. 10 is a side view showing a second embodiment of FIG. 4 thereof;
FIG. 11 is a top view showing a second embodiment of FIG. 5 thereof; and,
FIG. 12 is a bottom view showing a second embodiment of FIG. 6 thereof.

It will be understood that the broken lines shown in the drawings illustrate portions of the side mirror that form no part of claimed design.

1 Claim, 12 Drawing Sheets



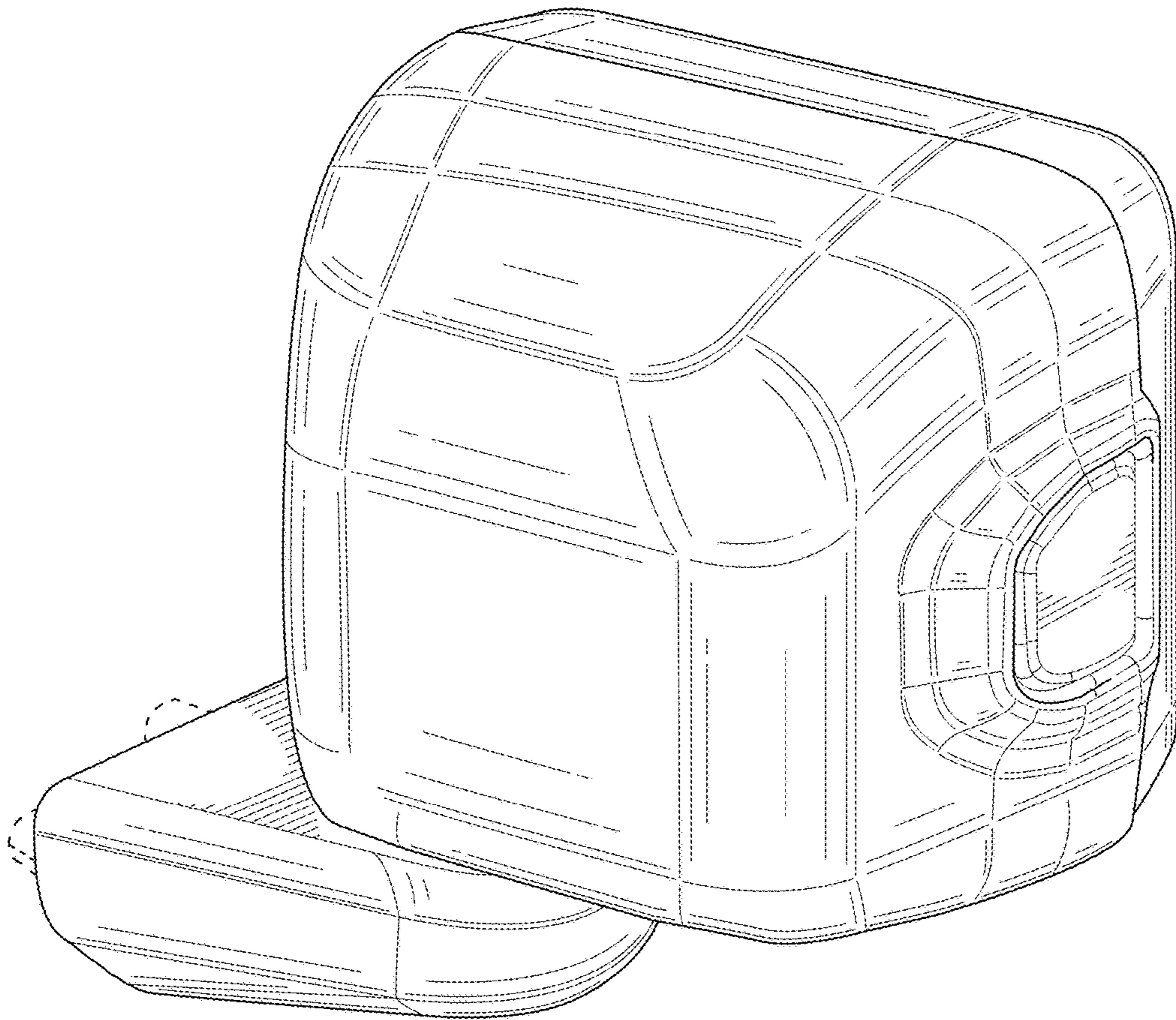


FIG. 1

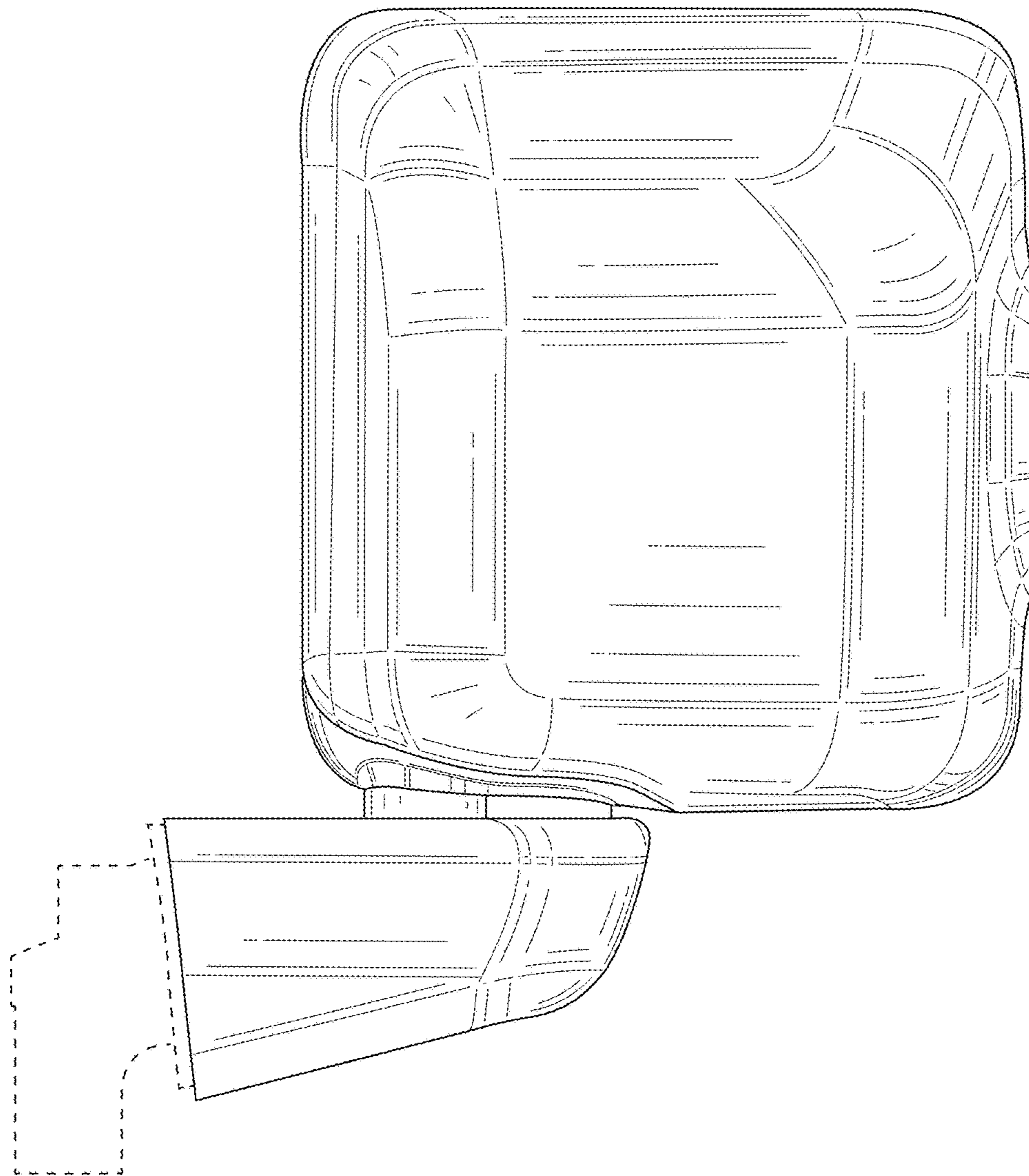


FIG. 2

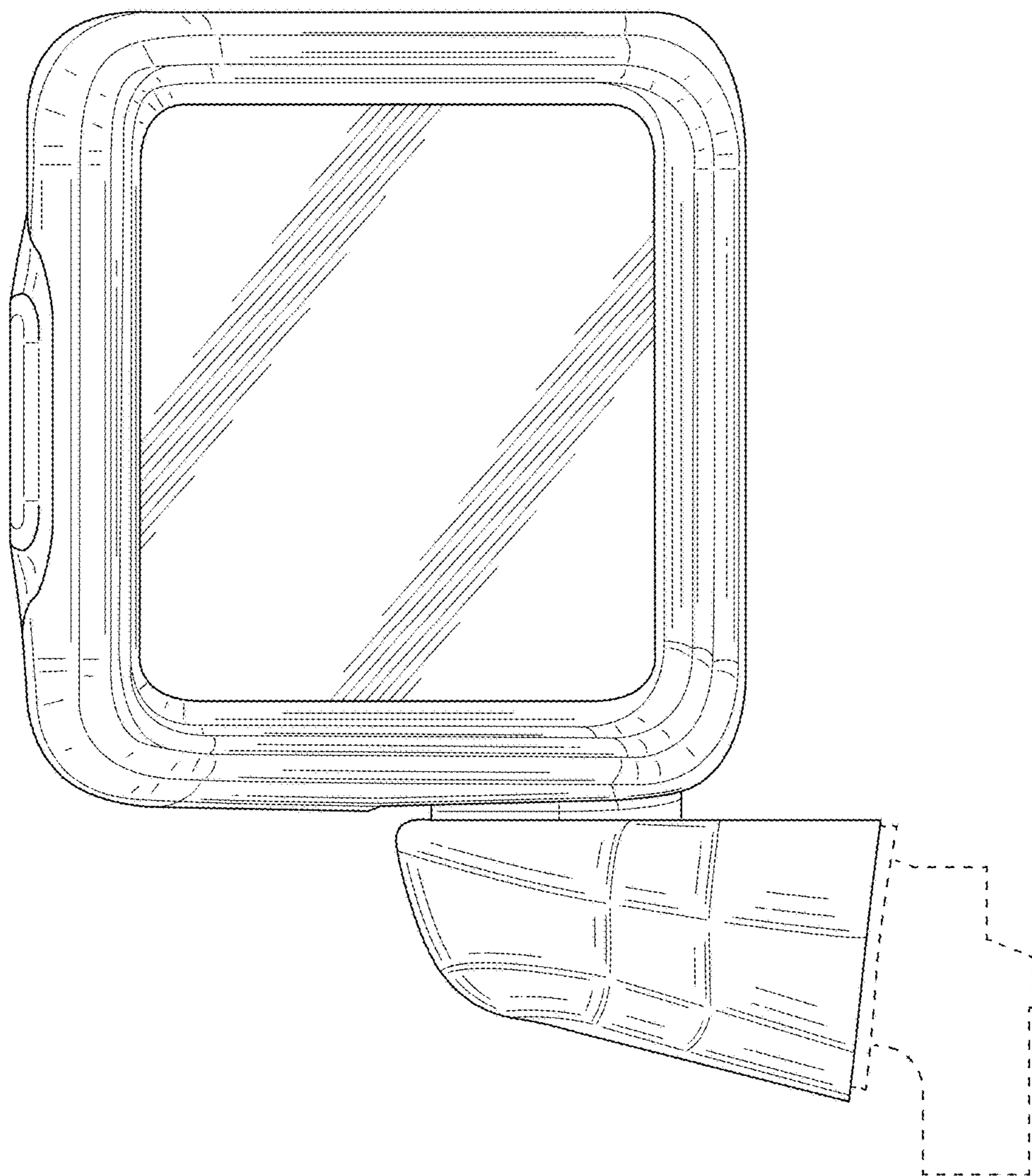


FIG. 3

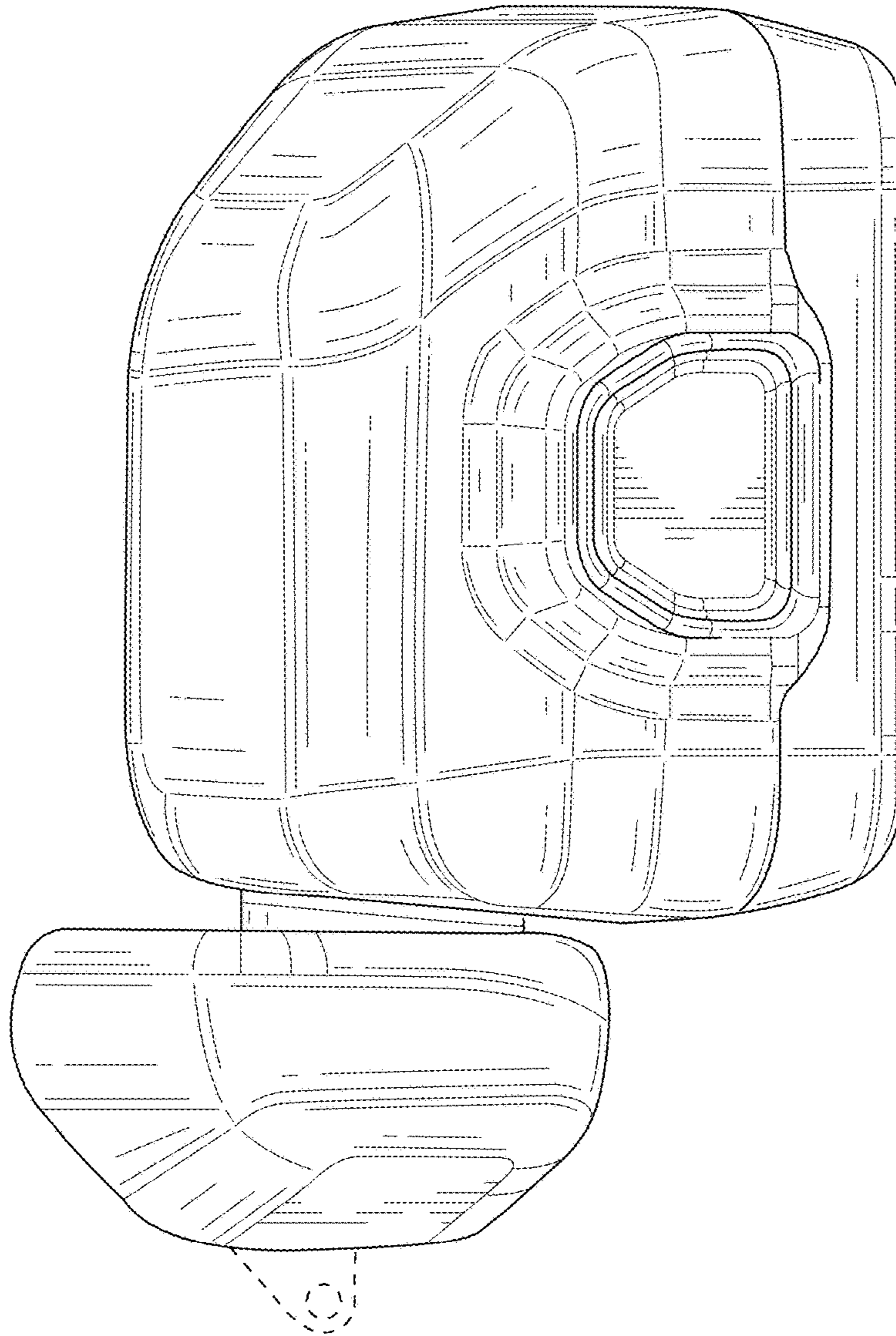


FIG. 4

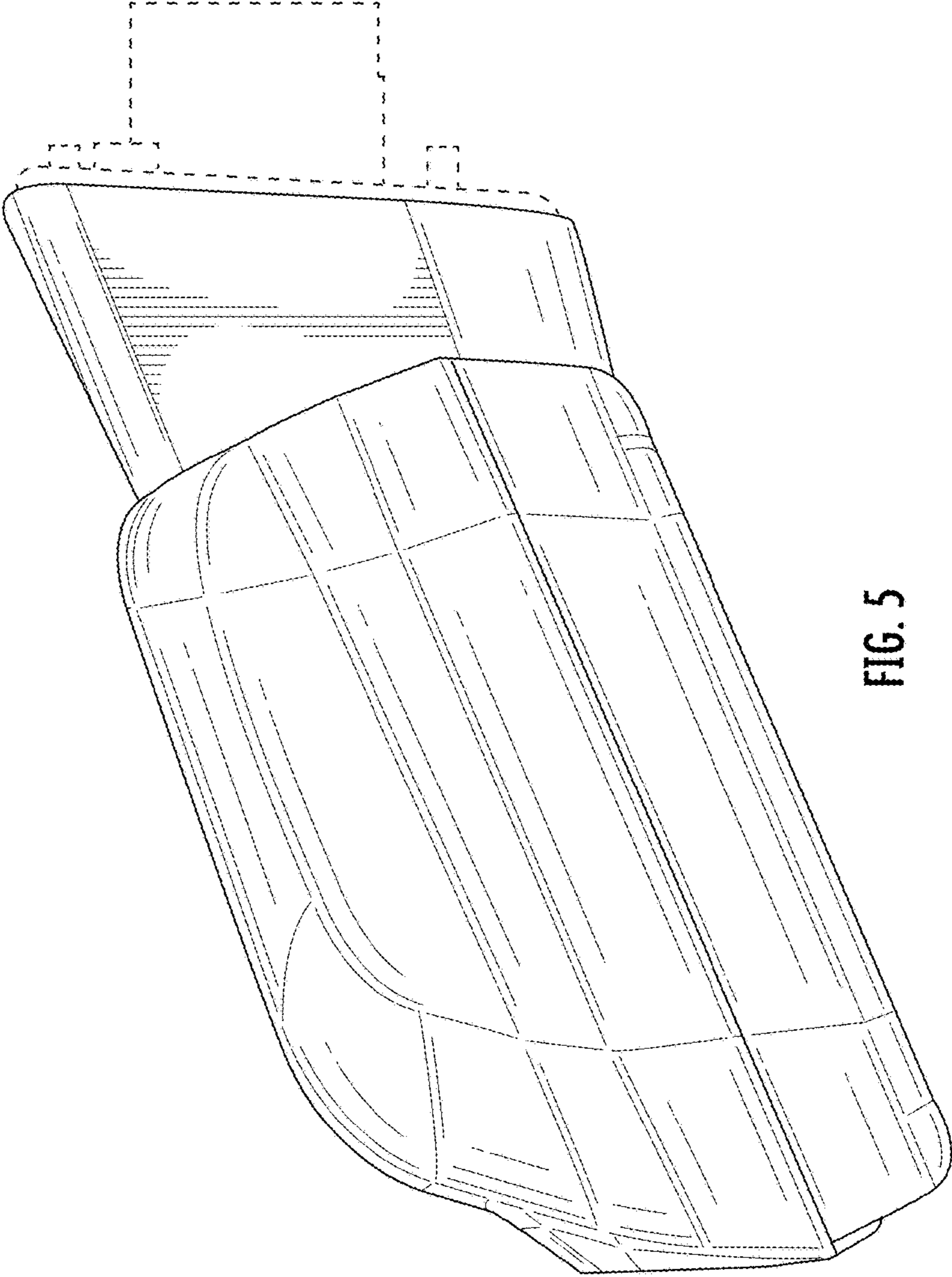


FIG. 5

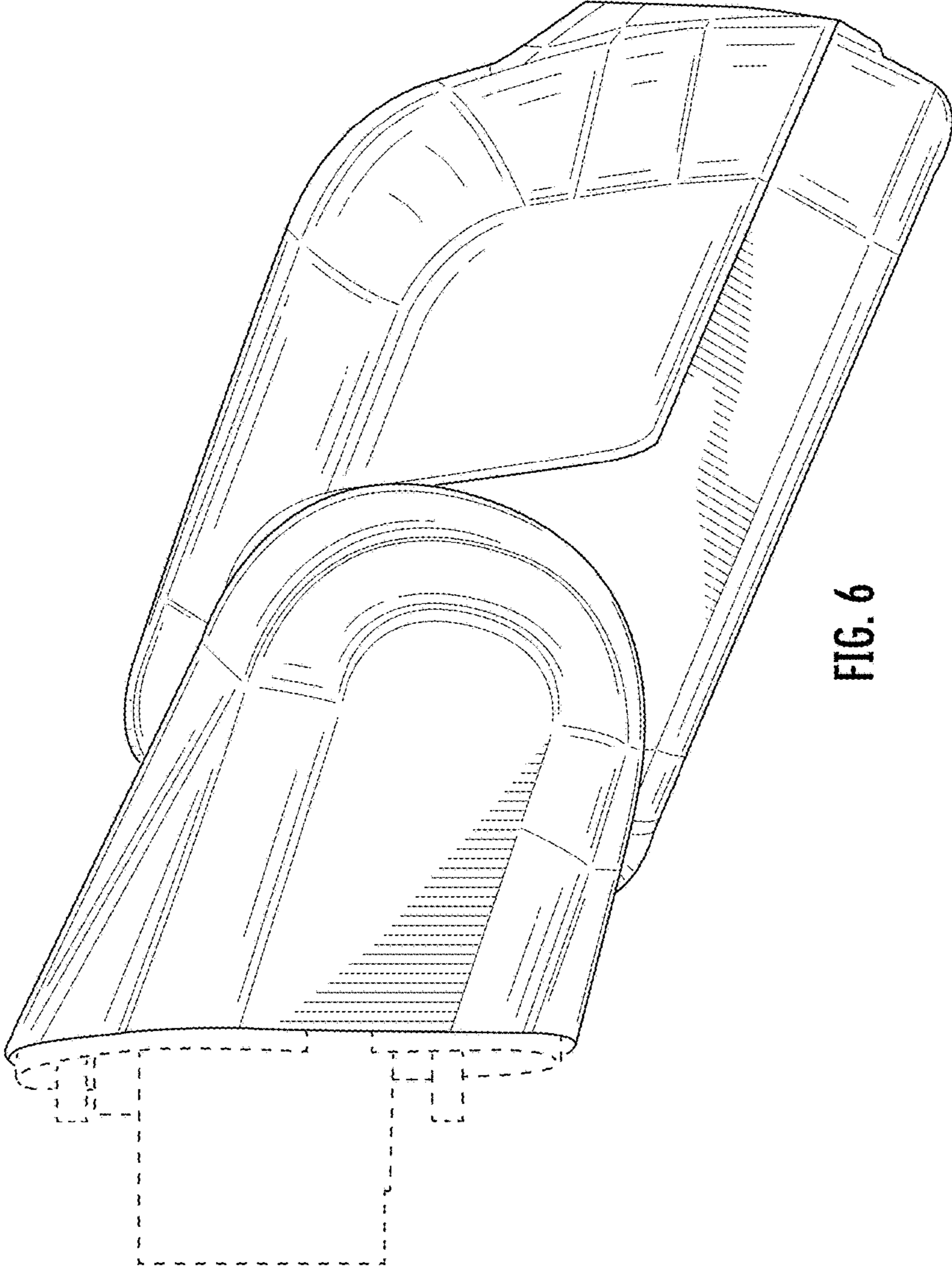


FIG. 6

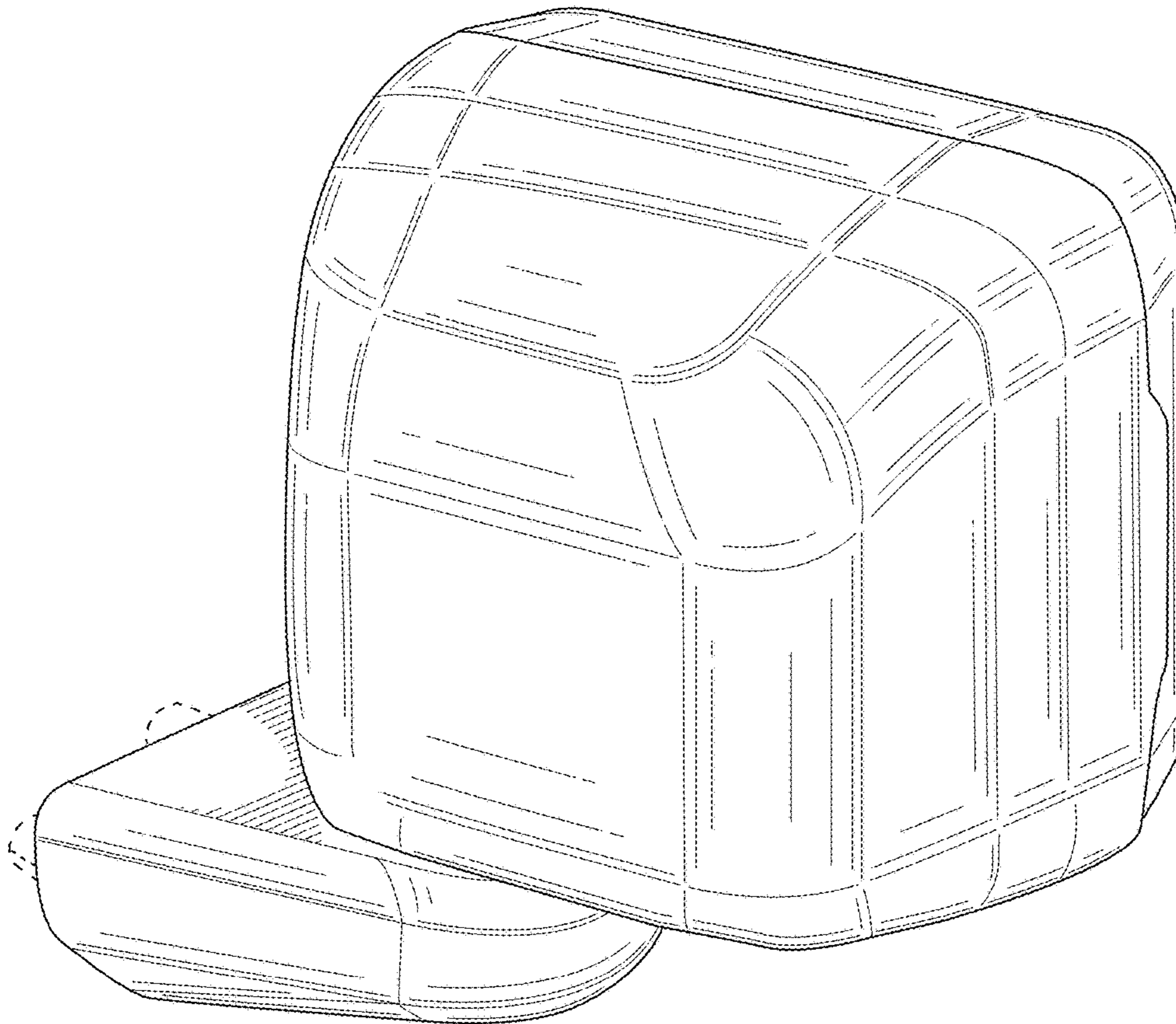


FIG. 7

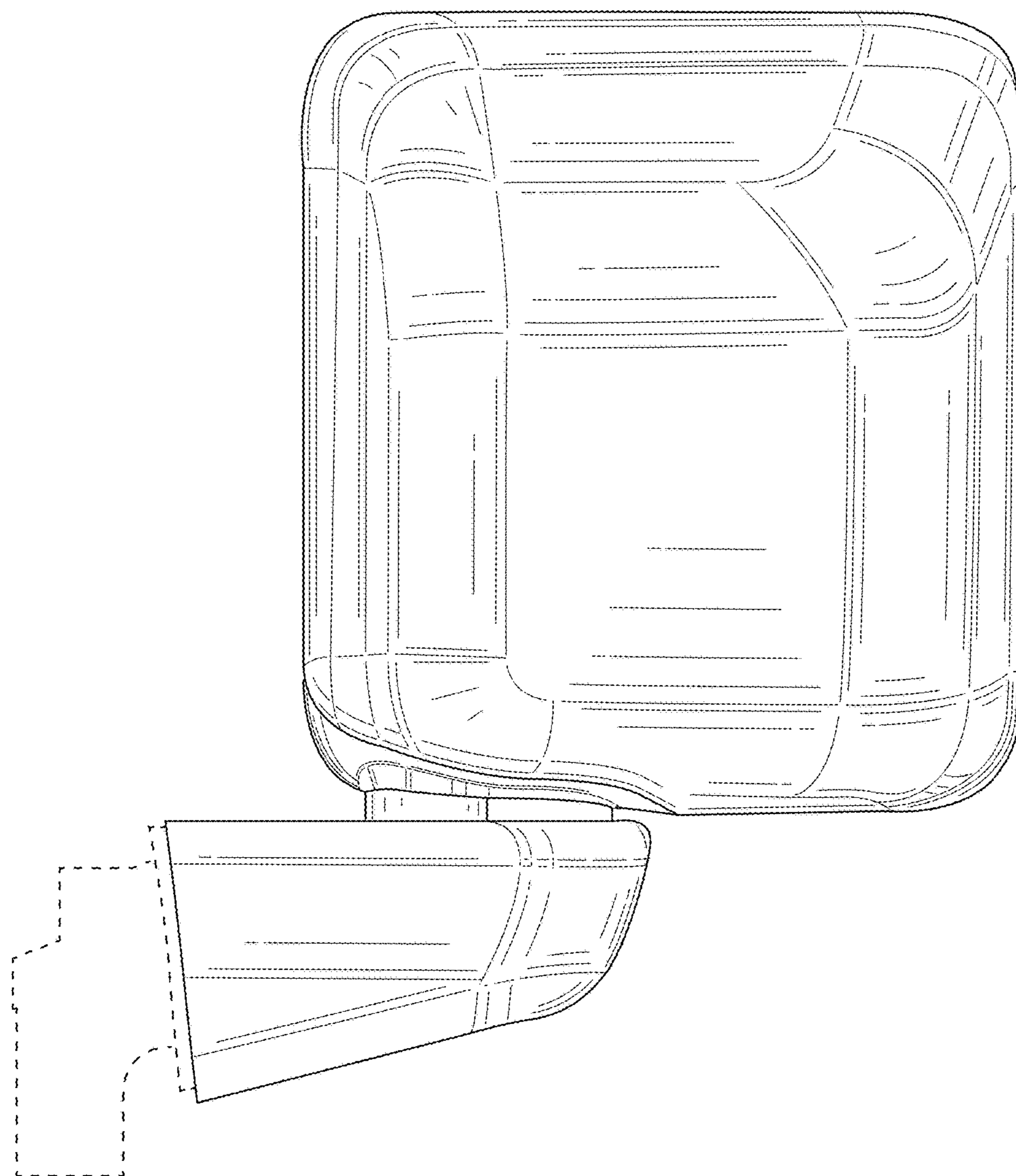


FIG. 8

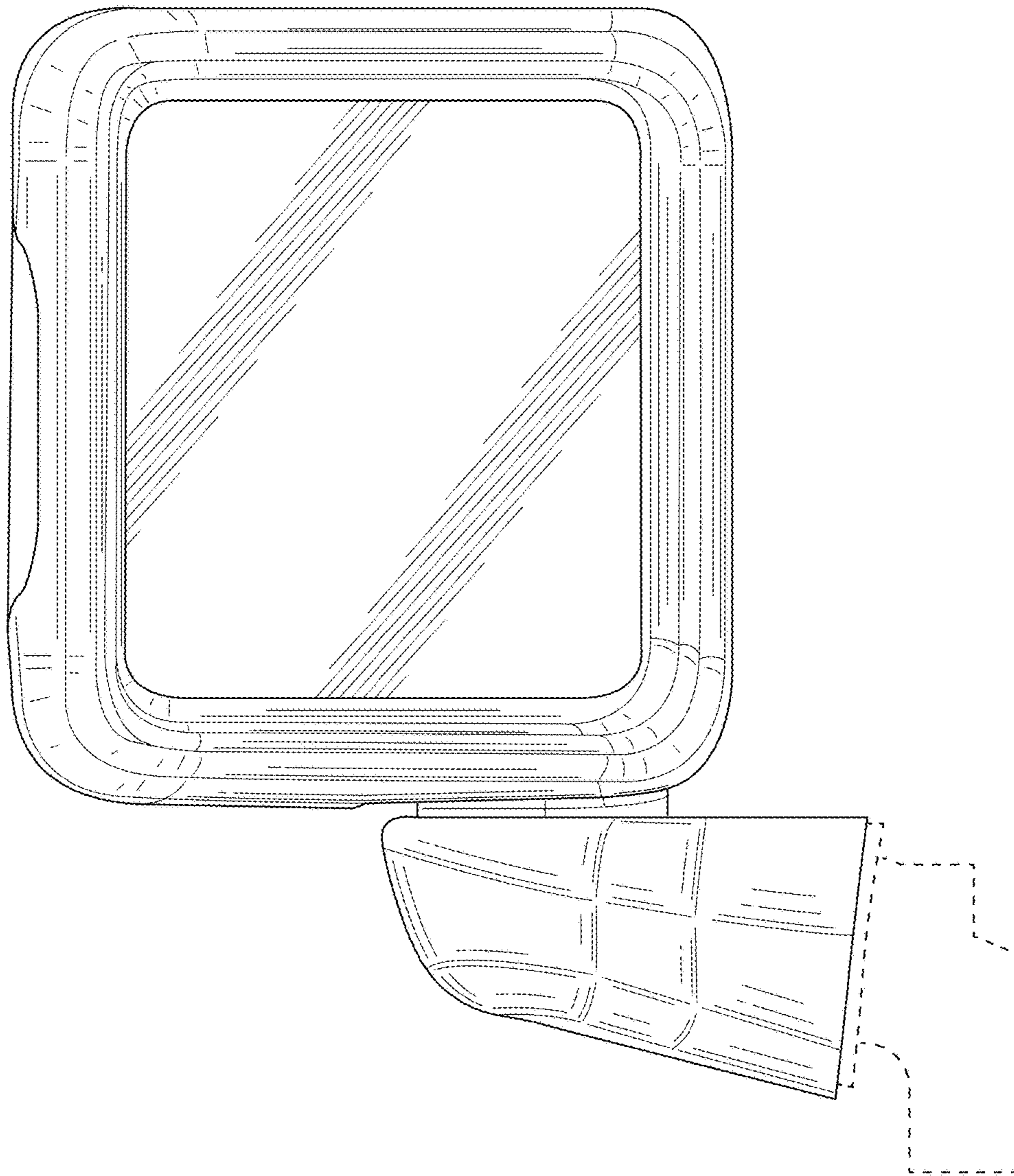


FIG. 9

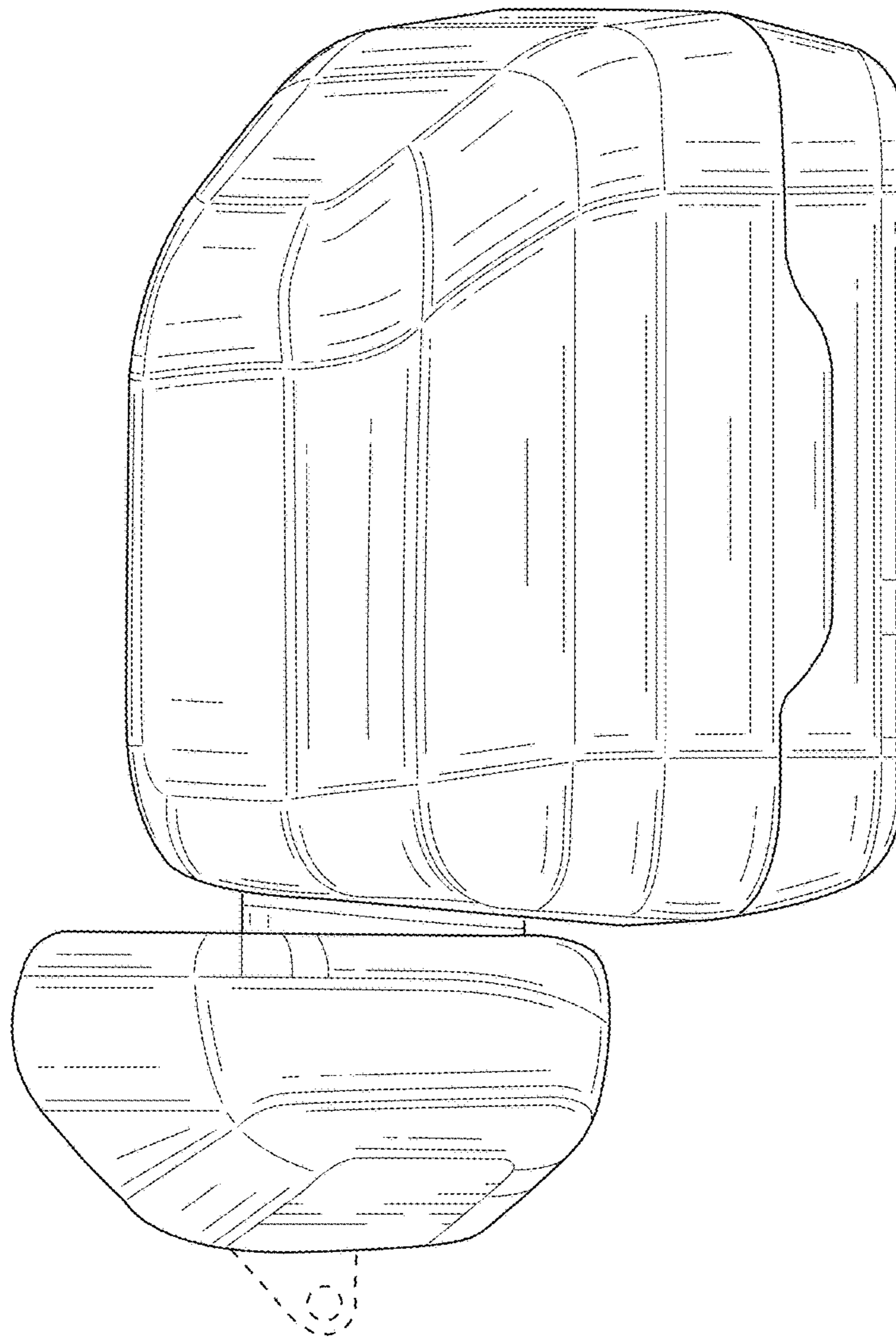


FIG. 10

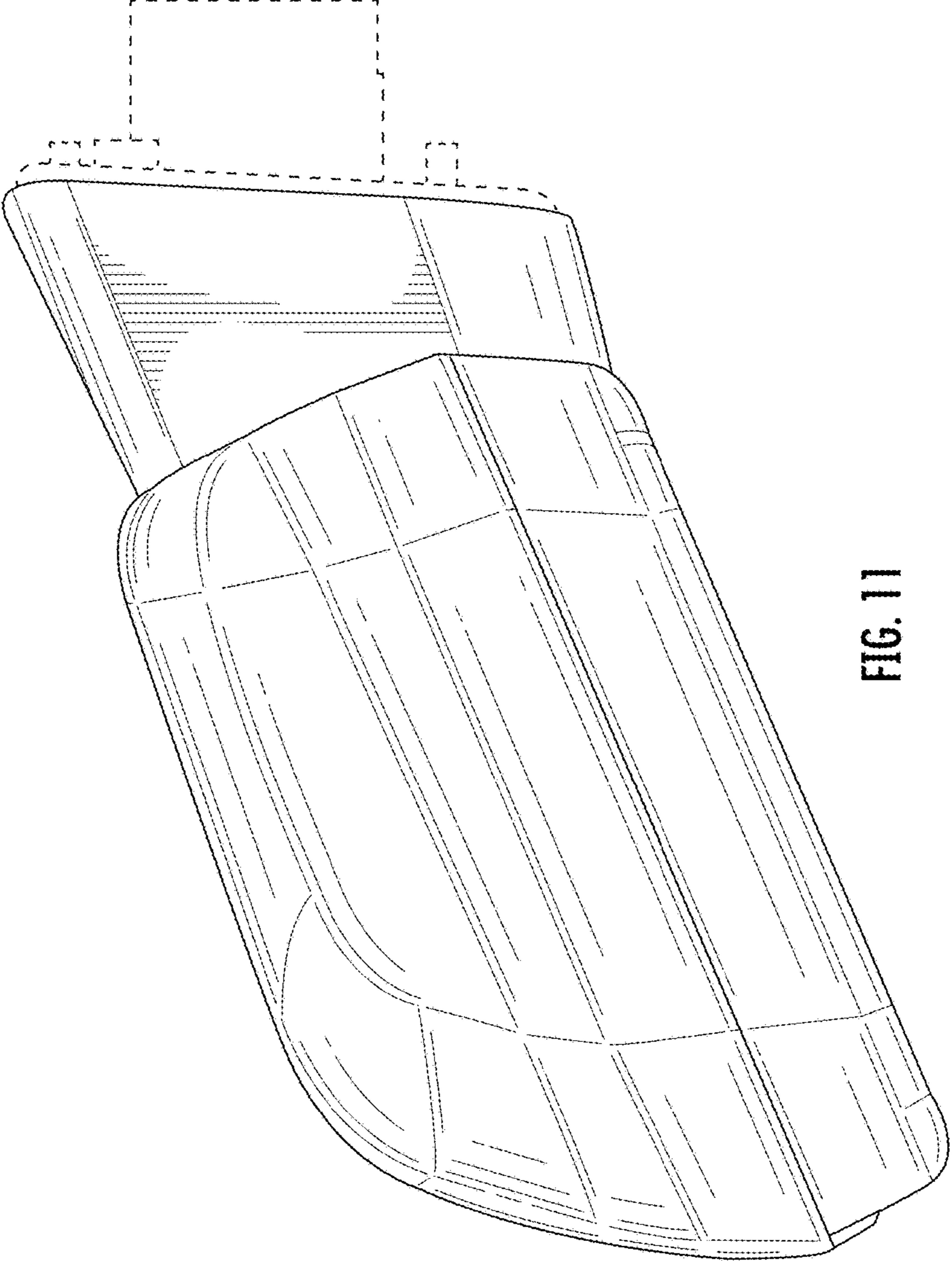


FIG. 11

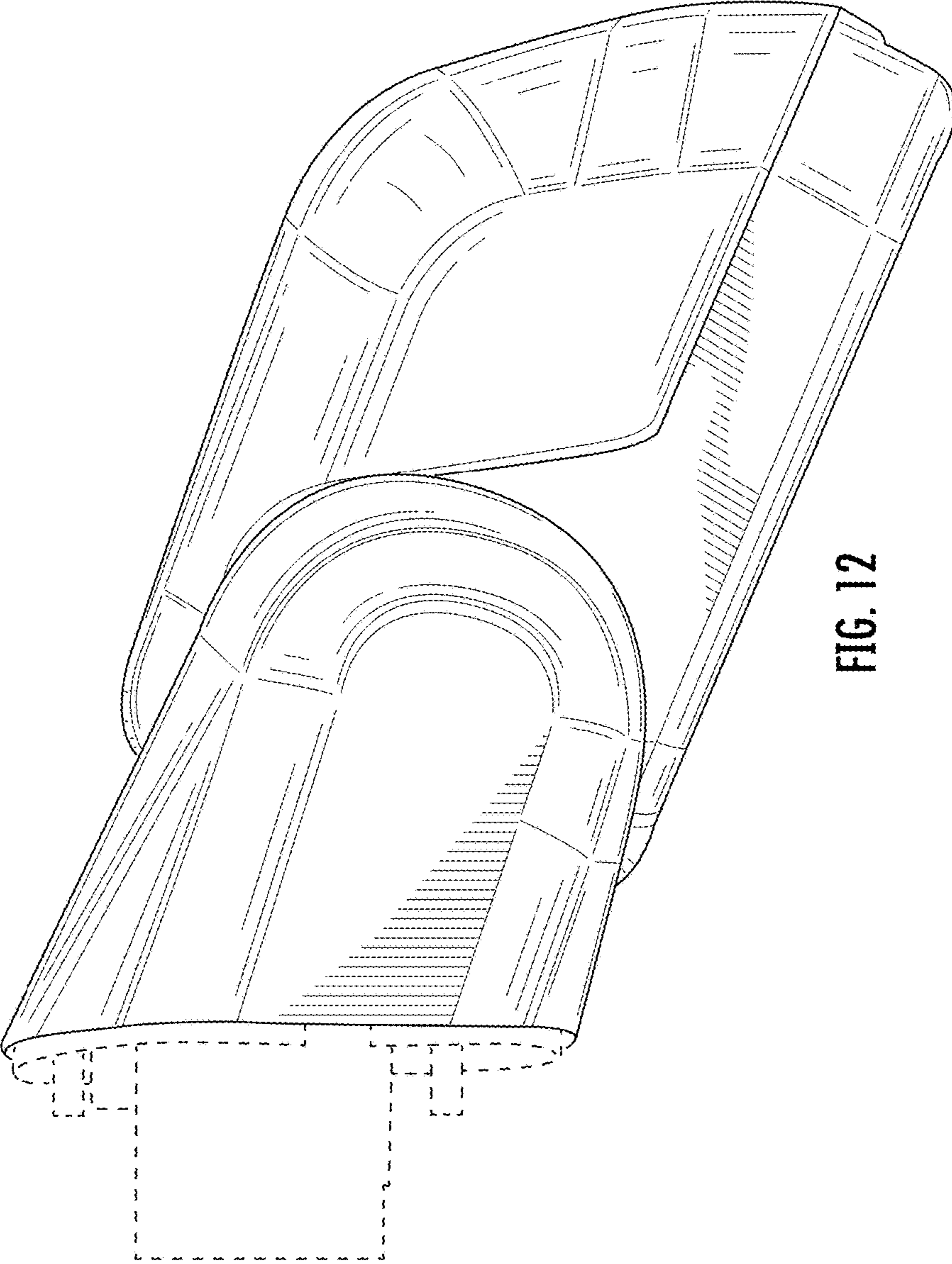


FIG. 12