



US00D865599S

(12) **United States Design Patent**
Hamlin et al.

(10) **Patent No.:** **US D865,599 S**

(45) **Date of Patent:** **** Nov. 5, 2019**

(54) **REARVIEW DISPLAY**

D730,256 S * 5/2015 Hamlin D12/187
D755,097 S * 5/2016 Lin D12/187
D834,476 S * 11/2018 Tang D12/187

(71) Applicant: **Gentex Corporation**, Zeeland, MI (US)

* cited by examiner

(72) Inventors: **Bradley R. Hamlin**, Allendale, MI (US); **Jason D. Hallack**, Allendale, MI (US)

Primary Examiner — Abraham Bahta

(73) Assignee: **GENTEX CORPORATION**, Zeeland

(74) *Attorney, Agent, or Firm* — Price Heneveld LLP; Bradley D. Johnson

(**) Term: **15 Years**

(21) Appl. No.: **29/657,032**

(57) **CLAIM**

(22) Filed: **Jul. 18, 2018**

The ornamental design a rearview display, as shown and described.

(51) **LOC (12) Cl.** **12-16**

(52) **U.S. Cl.**
USPC **D12/187**

(58) **Field of Classification Search**
USPC D12/114, 187–189, 191, 400, 404, 181;
D6/300, 309; 359/843, 844, 881, 877,
359/604, 868, 838, 839, 841, 514, 871;
248/466, 474
CPC B60R 1/076; B60R 1/074; B60R 1/078;
B60R 1/08; B60R 1/006; B60R 1/02;
B60R 1/06; B60R 1/0612; B60R 1/062;
B60R 1/064; G02B 7/182; G02B 7/18
See application file for complete search history.

DESCRIPTION

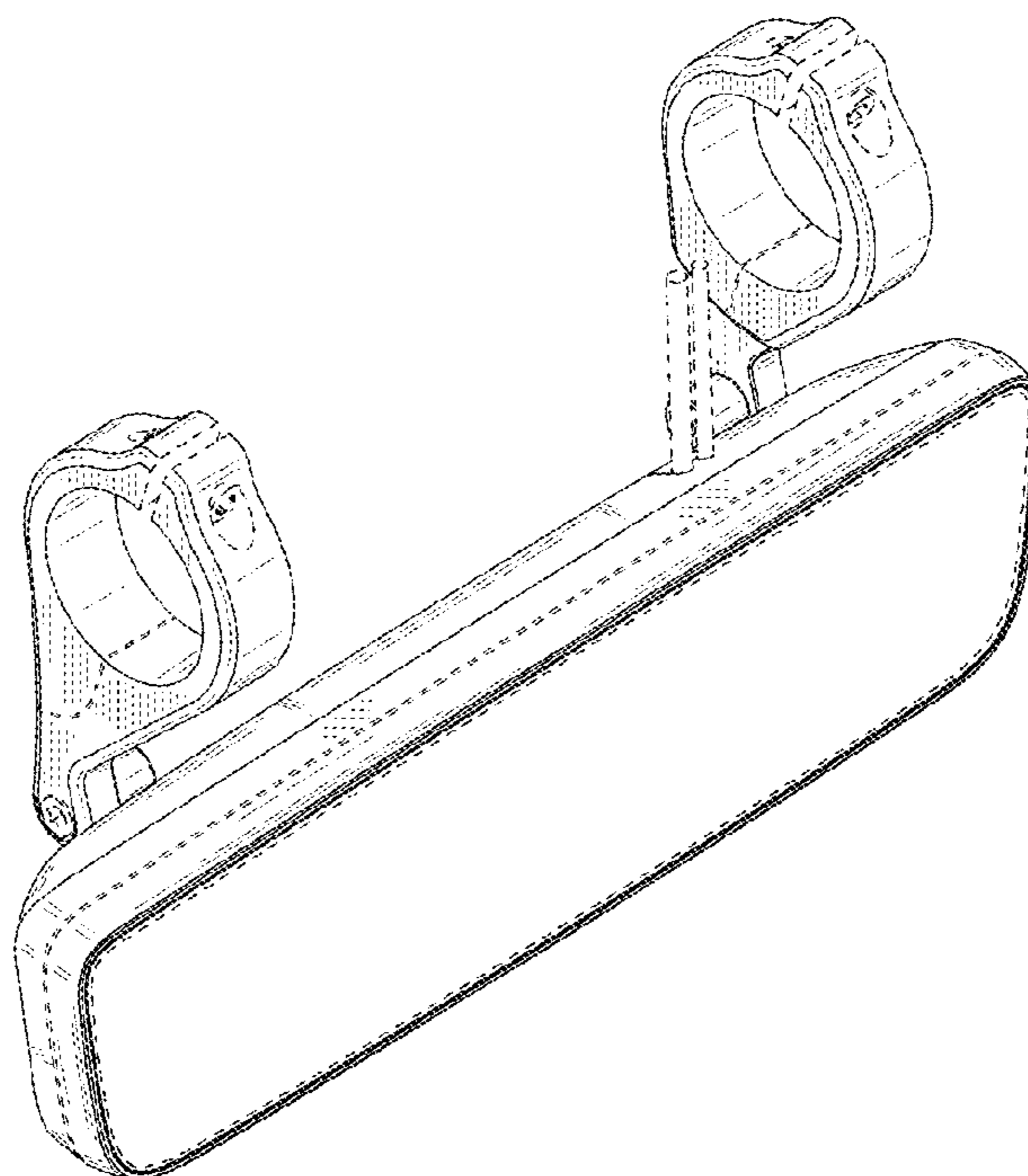
FIG. 1 is a front perspective view of a rearview display according to our design;
FIG. 2 is a front elevation view thereof;
FIG. 3 is a back elevation view thereof;
FIG. 4 is a right side elevation view thereof;
FIG. 5 is a left side elevation view thereof;
FIG. 6 is a top plan view thereof; and,
FIG. 7 is a bottom plan view thereof.
The portions of the article shown in broken line form no part of the claimed design.

(56) **References Cited**

U.S. PATENT DOCUMENTS

D556,106 S * 11/2007 Carter D12/187
D661,234 S * 6/2012 De Wind D12/187

1 Claim, 5 Drawing Sheets



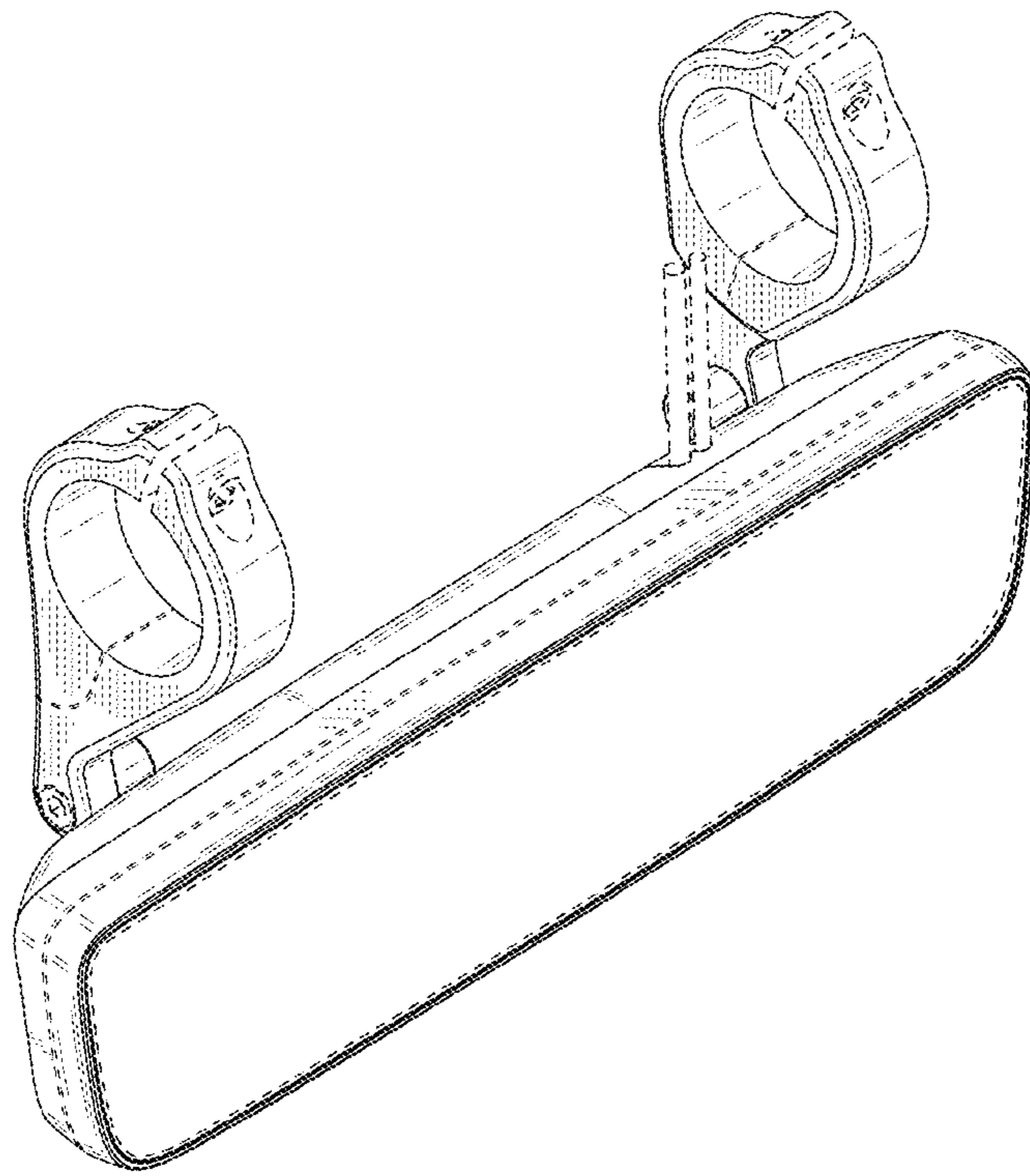


FIG. 1

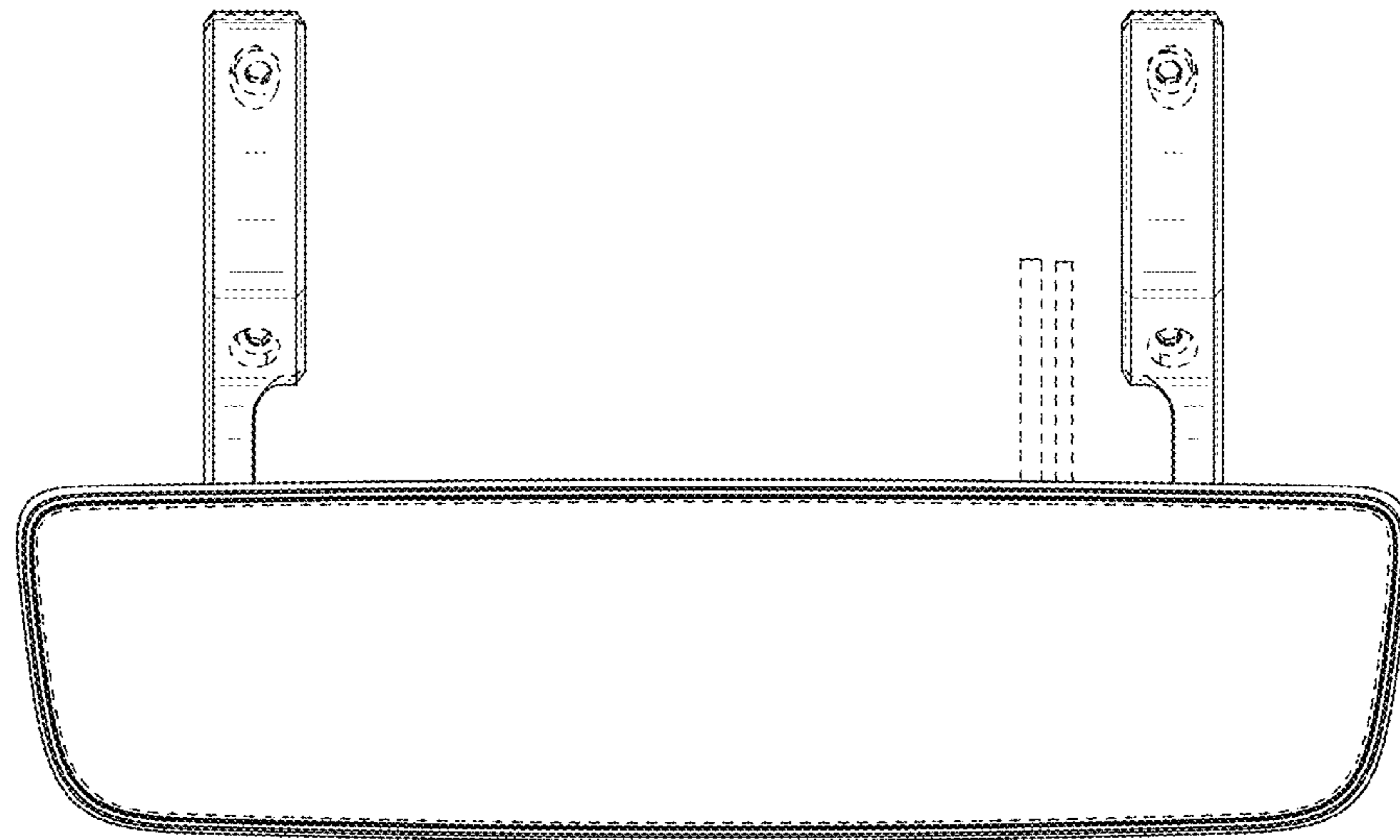


FIG. 2

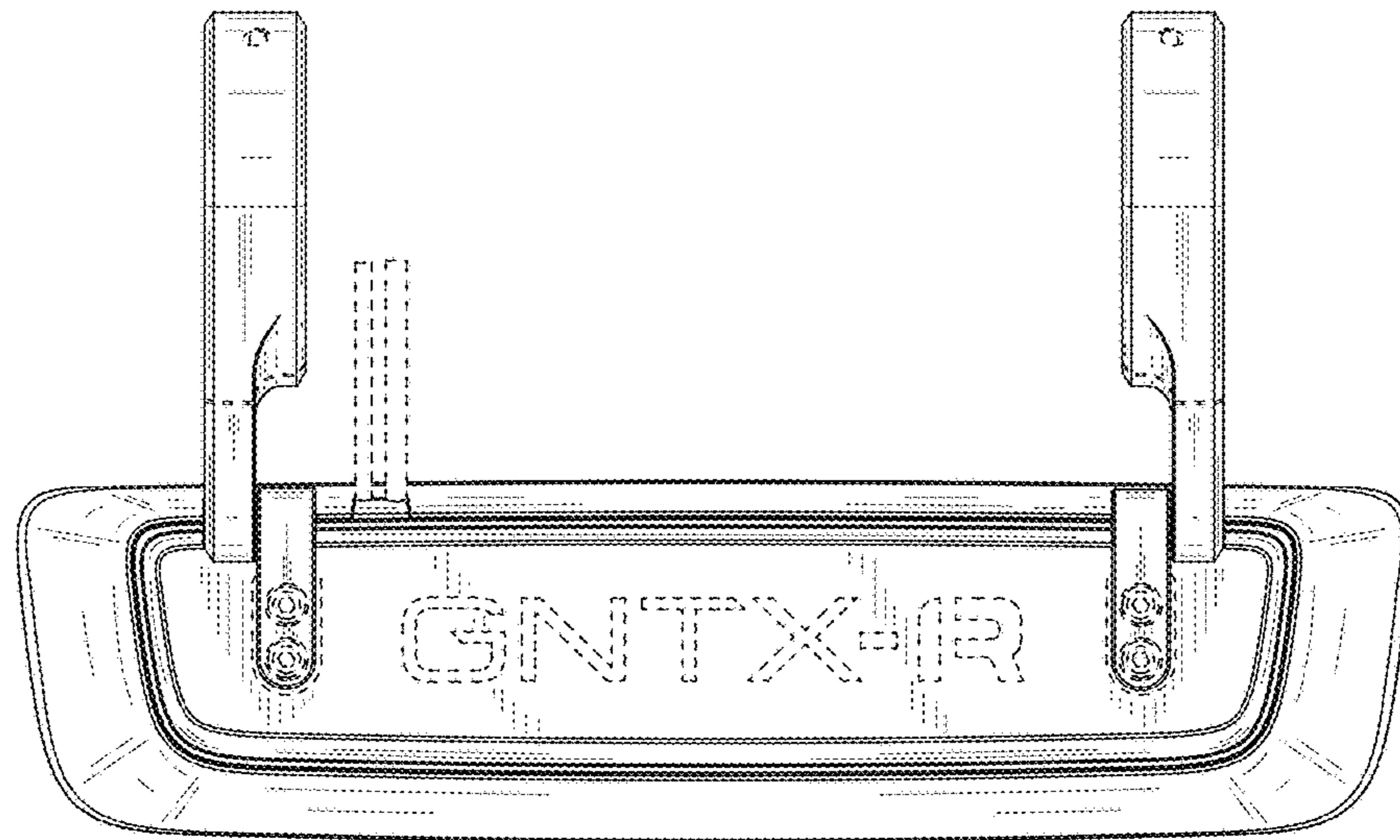


FIG. 3

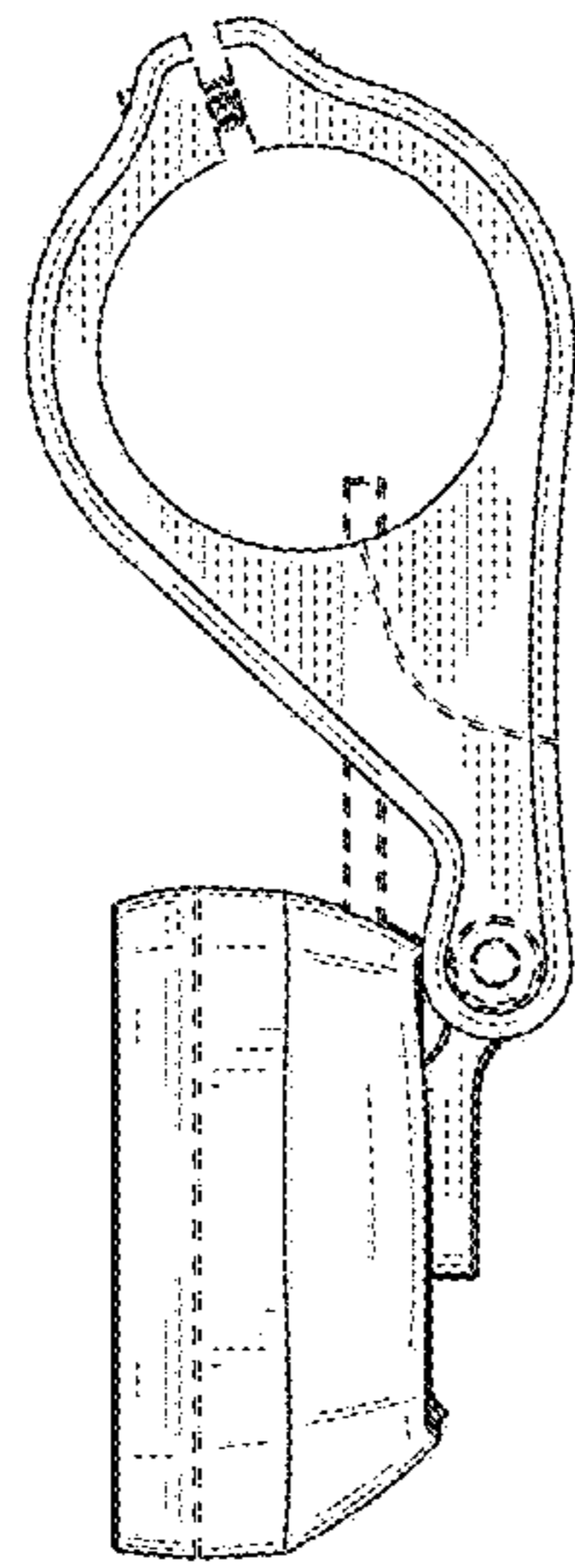


FIG. 4

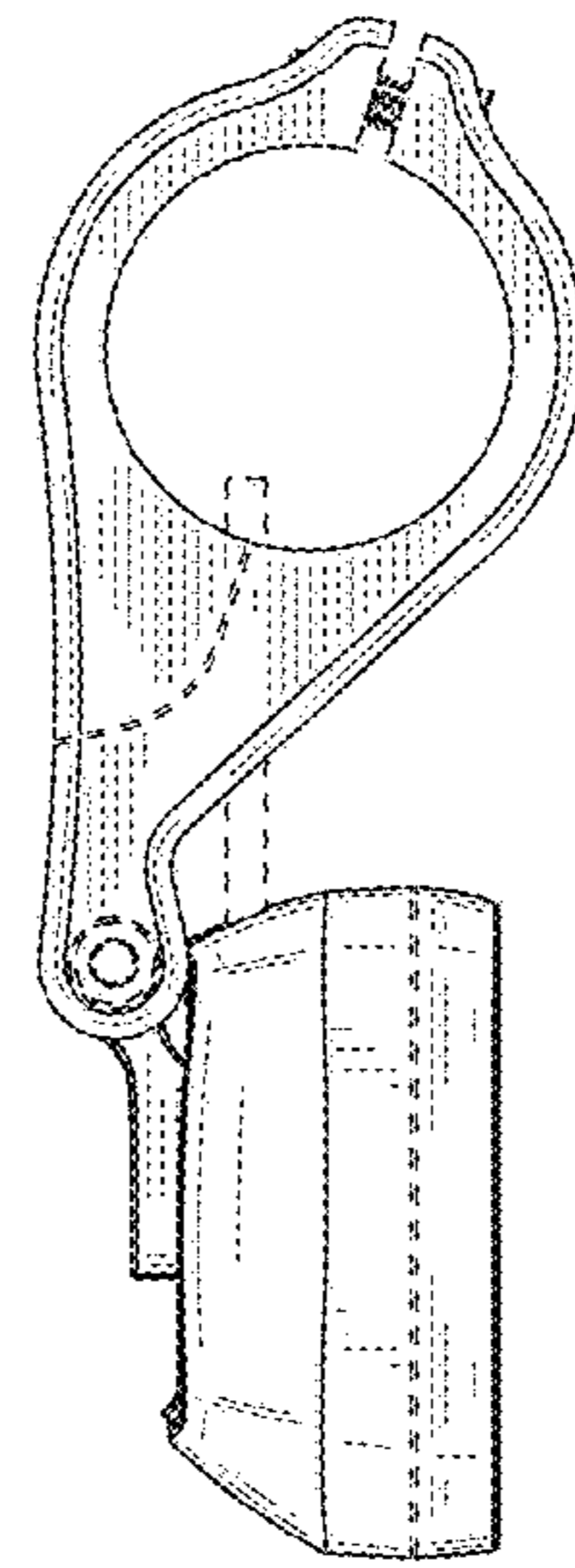


FIG. 5

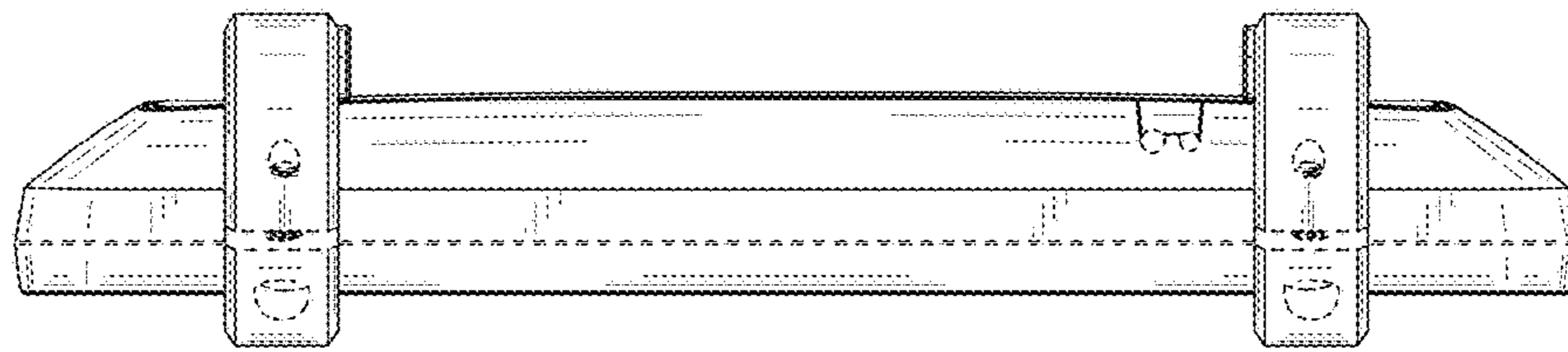


FIG. 6

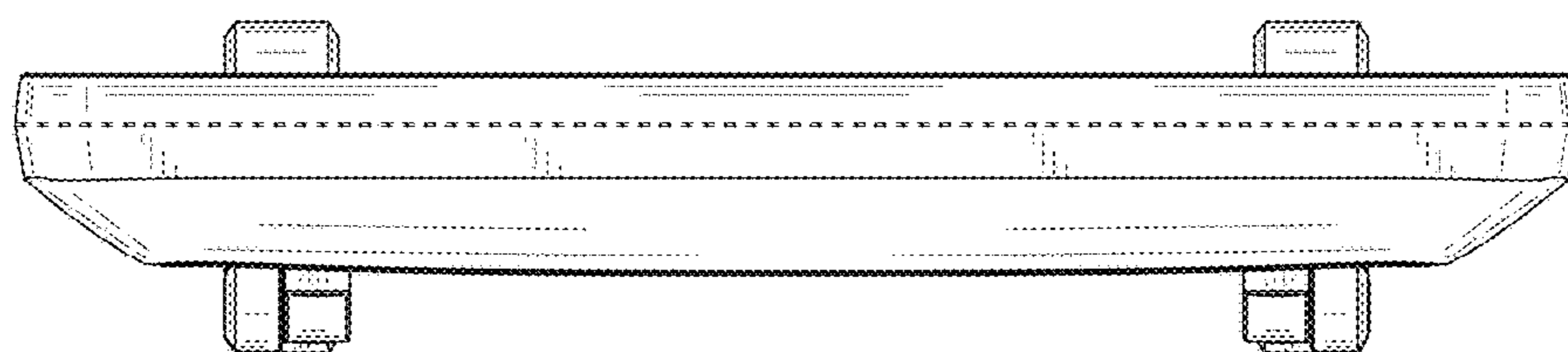


FIG. 7