



US00D865596S

(12) **United States Design Patent** (10) **Patent No.:** **US D865,596 S**  
**Grand** (45) **Date of Patent:** **\*\* Nov. 5, 2019**

(54) **FENDER**  
(71) Applicant: **Jaguar Land Rover Limited**, Whitley, Coventry (GB)  
(72) Inventor: **Simon Grand**, Coventry (GB)  
(73) Assignee: **Jaguar Land Rover Limited**, Whitley, Coventry (GB)  
(\*\*) Term: **15 Years**  
(21) Appl. No.: **29/622,940**  
(22) Filed: **Oct. 20, 2017**

(30) **Foreign Application Priority Data**  
Apr. 21, 2017 (EM) ..... 003866961  
(51) **LOC (12) Cl.** ..... **12-16**  
(52) **U.S. Cl.**  
USPC ..... **D12/184**  
(58) **Field of Classification Search**  
USPC ..... D12/114, 181, 184, 196; D15/28  
CPC ..... B62D 25/16; B62D 25/18  
See application file for complete search history.

(56) **References Cited**  
U.S. PATENT DOCUMENTS  
9,278,716 B1 \* 3/2016 Joseph ..... B62D 25/18  
D756,870 S \* 5/2016 Tsutamori ..... D12/184  
D758,935 S \* 6/2016 Platto ..... D12/184  
9,403,557 B1 \* 8/2016 Sharma ..... C21D 1/06  
9,487,238 B2 \* 11/2016 Iwano ..... B62D 25/025  
D775,031 S \* 12/2016 Frascella ..... D12/184  
D787,395 S \* 5/2017 Curic ..... D12/181  
9,669,876 B2 \* 6/2017 Iwano ..... B62D 25/04  
9,738,322 B2 \* 8/2017 Matthiessen ..... B62D 25/02  
D803,119 S \* 11/2017 Beermann ..... D12/184  
D803,741 S \* 11/2017 Tsubaki ..... D12/184

D805,013 S \* 12/2017 Whitla ..... D12/181  
D806,622 S \* 1/2018 Granlund ..... D12/184  
D807,261 S \* 1/2018 Zavatski ..... D12/184  
9,890,966 B2 \* 2/2018 Mueller ..... B62D 25/16  
D817,829 S \* 5/2018 Behmer ..... D12/184  
D820,751 S \* 6/2018 Luk ..... D12/184

(Continued)

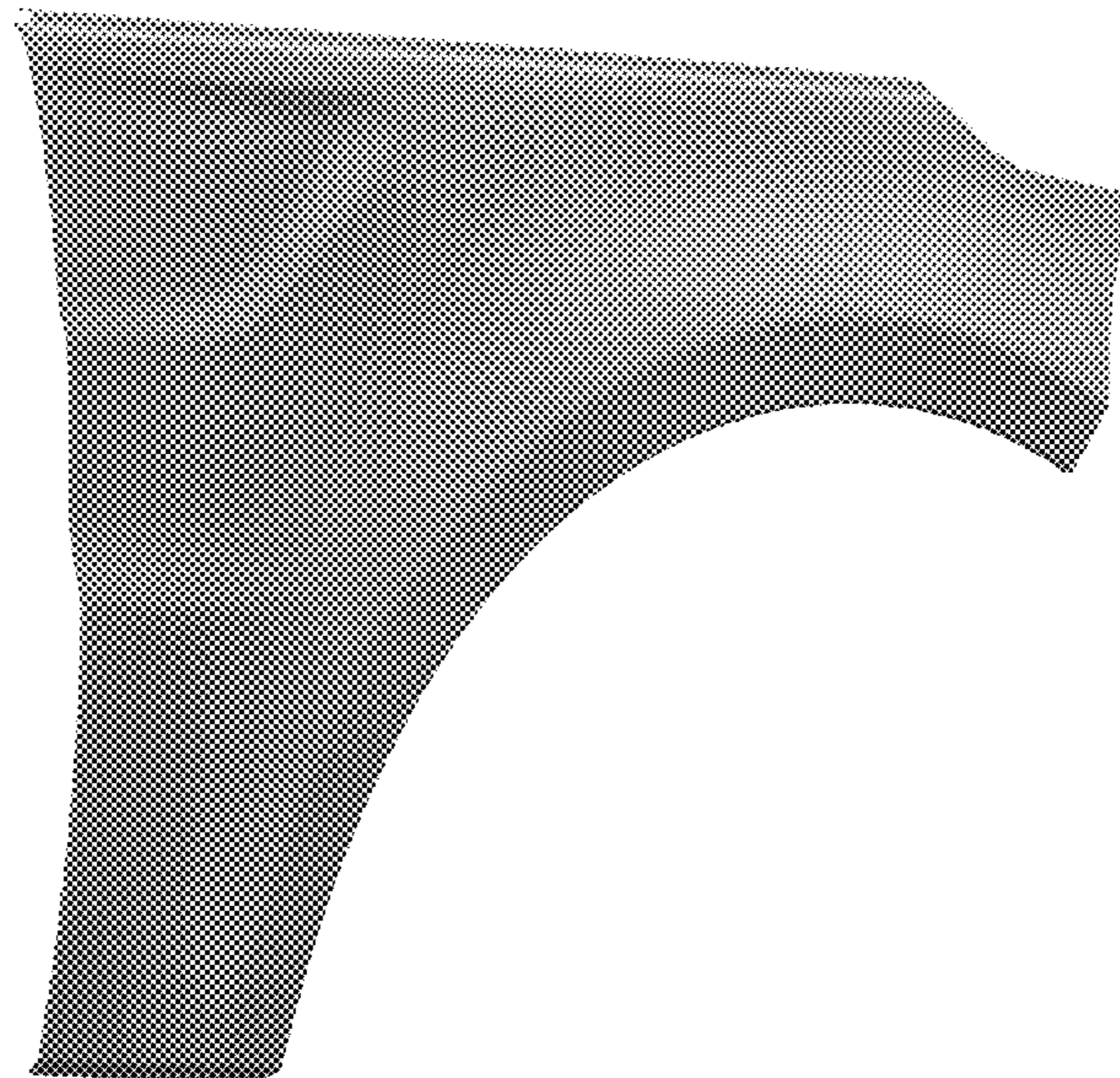
*Primary Examiner* — Susan Bennett Hattan  
*Assistant Examiner* — Suzanne E Tisdell  
(74) *Attorney, Agent, or Firm* — Wood Herron & Evans LLP

(57) **CLAIM**  
The ornamental design for a fender, as shown and described.

**DESCRIPTION**

FIG. 1 is a front left perspective view of a fender according to the present invention.  
FIG. 2 is a front right perspective view of the fender shown in FIG. 1.  
FIG. 3 is a rear right perspective view thereof.  
FIG. 4 is a front view thereof.  
FIG. 5 is a left side view thereof.  
FIG. 6 is a right side view thereof.  
FIG. 7 is a top view thereof.  
FIG. 8 is a bottom view thereof.  
FIG. 9 a front left perspective view of a fender for the opposite side of a vehicle according to the present invention. This fender being a mirror image of the fender of FIG. 1.  
FIG. 10 is a front view thereof; and,  
FIG. 11 is a front view of the fender shown in FIGS. 1-8, but mounted on a vehicle, with the rest of the vehicle shown in de-emphasized and half-tone portions so as to illustrate environmental structure.  
More particularly, in FIG. 11, the inventive fender is shown within the broken line, and the elements shown outside the broken line form no part of the claimed invention, but are instead included to show environmental aspects thereof.

**1 Claim, 9 Drawing Sheets**



(56)

**References Cited**

U.S. PATENT DOCUMENTS

D823,741 S *	7/2018	Kim .....	D12/169
10,023,241 B2 *	7/2018	Umemoto .....	B62D 25/161
10,035,543 B2 *	7/2018	Sato .....	B60J 5/0444
D826,811 S *	8/2018	Lim .....	D12/184
D827,527 S *	9/2018	Loeb .....	D12/184
D827,528 S *	9/2018	Gueler .....	D12/184
D827,529 S *	9/2018	Al Attar .....	D12/184
D828,254 S *	9/2018	Simm .....	D12/184
10,077,085 B2 *	9/2018	Pfaffelhuber .....	B62D 27/02

\* cited by examiner

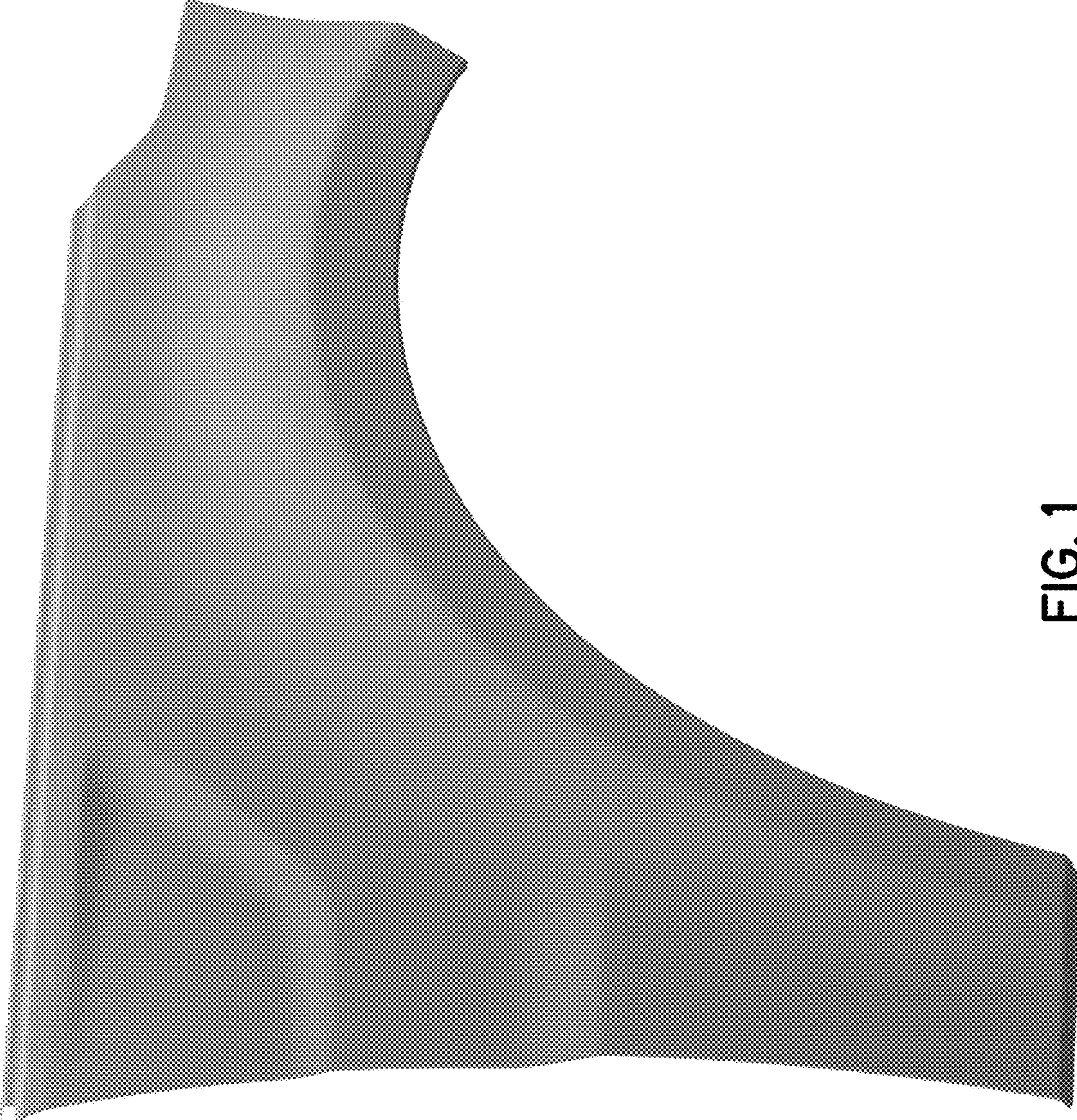


FIG. 1

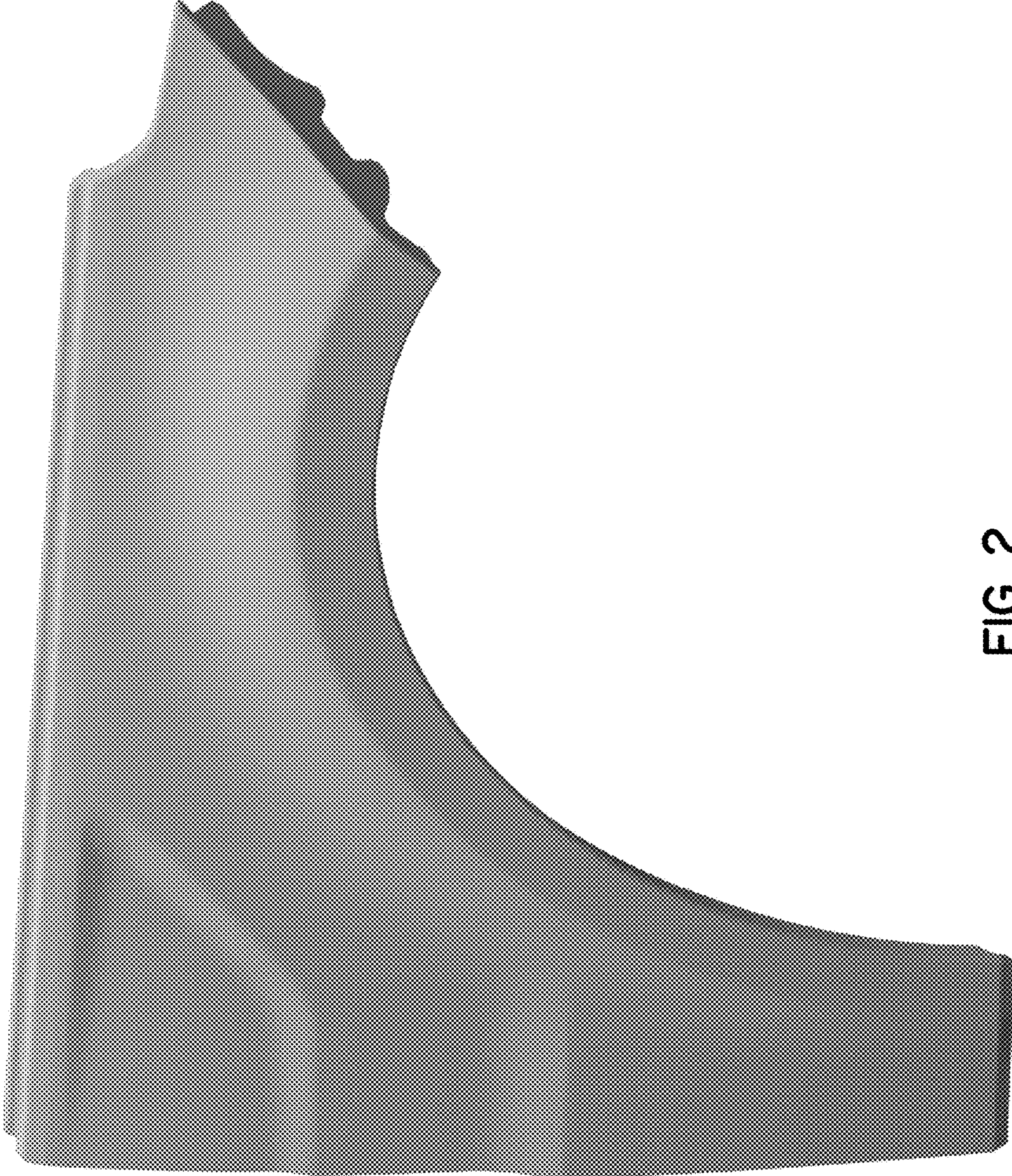


FIG. 2

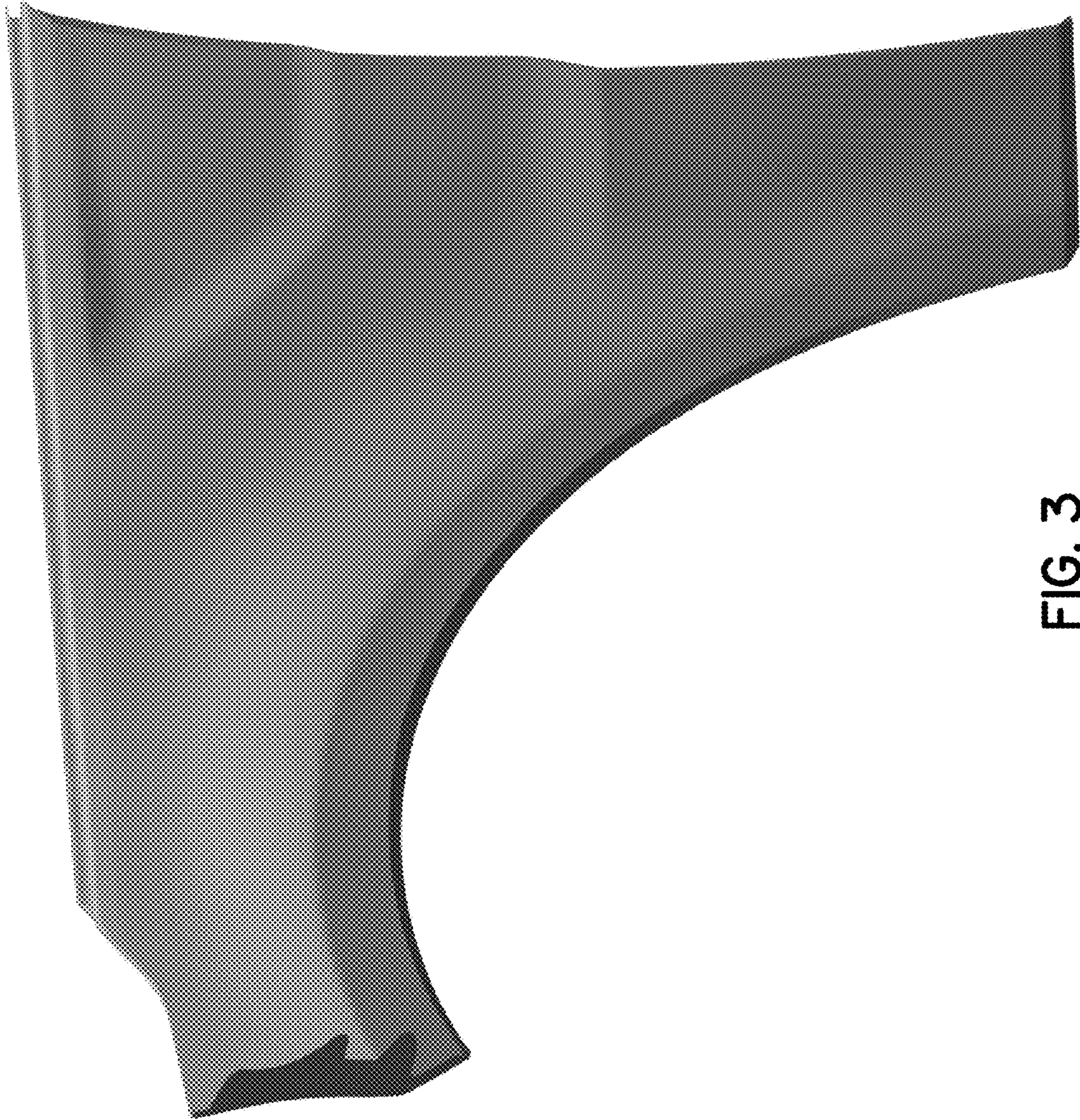


FIG. 3

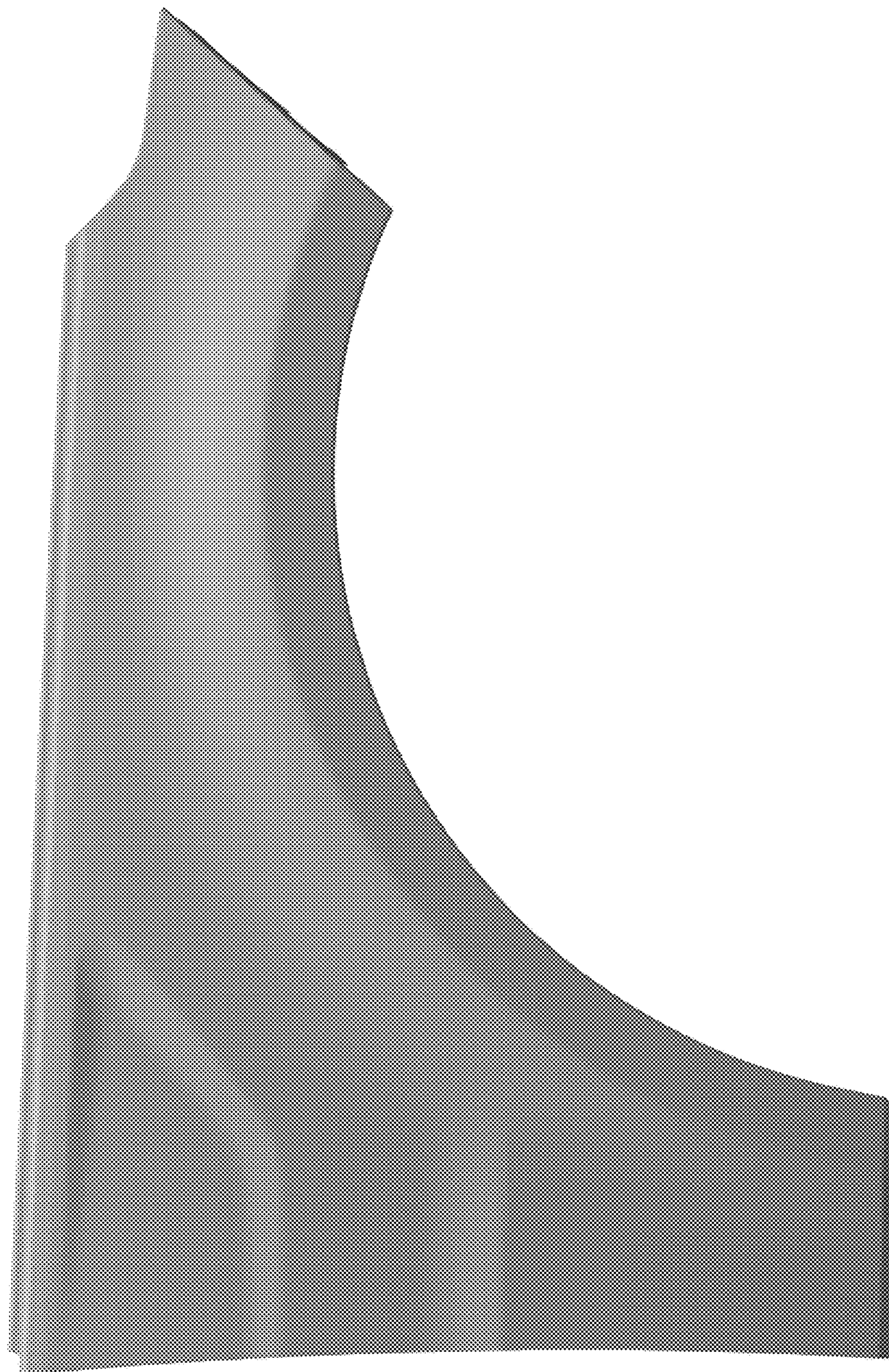


FIG. 4

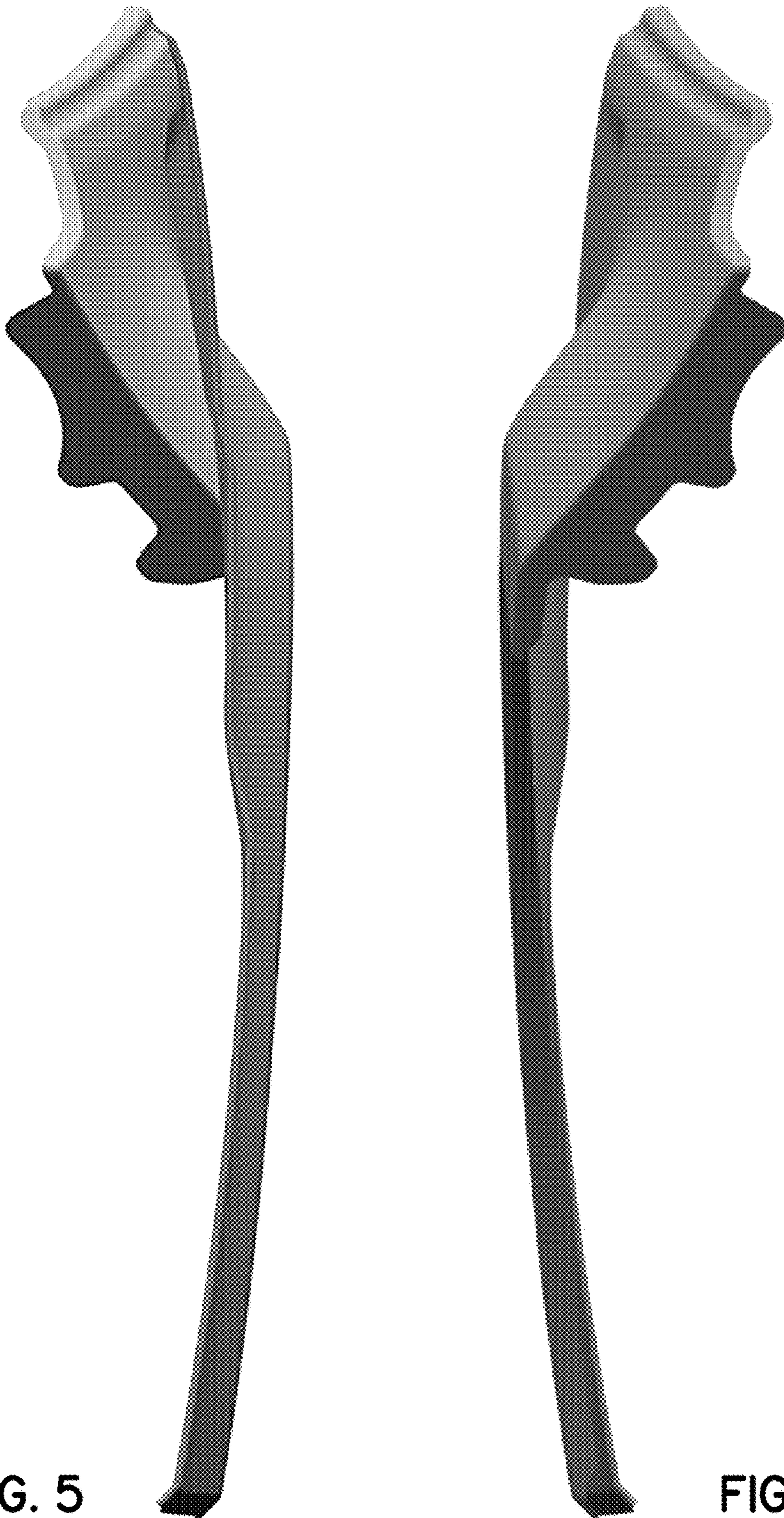


FIG. 5

FIG. 6

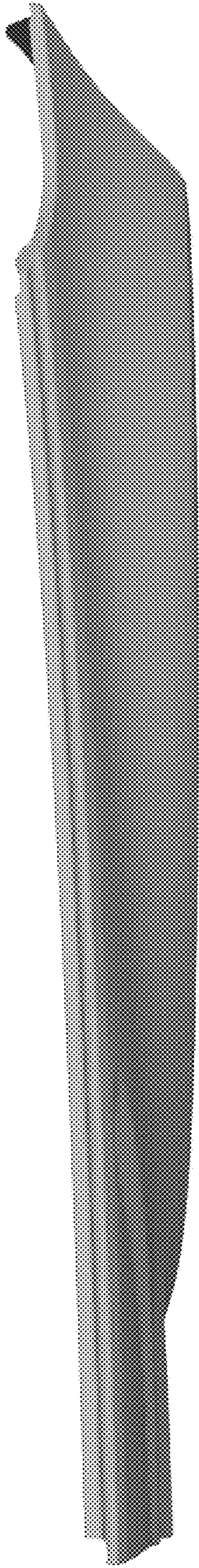


FIG. 7

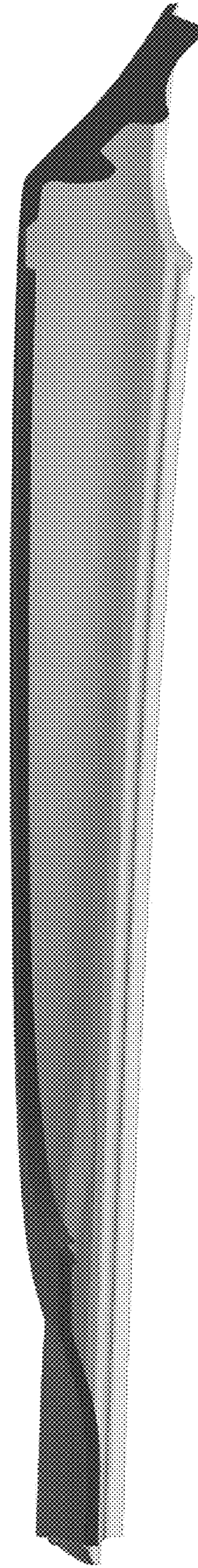


FIG. 8



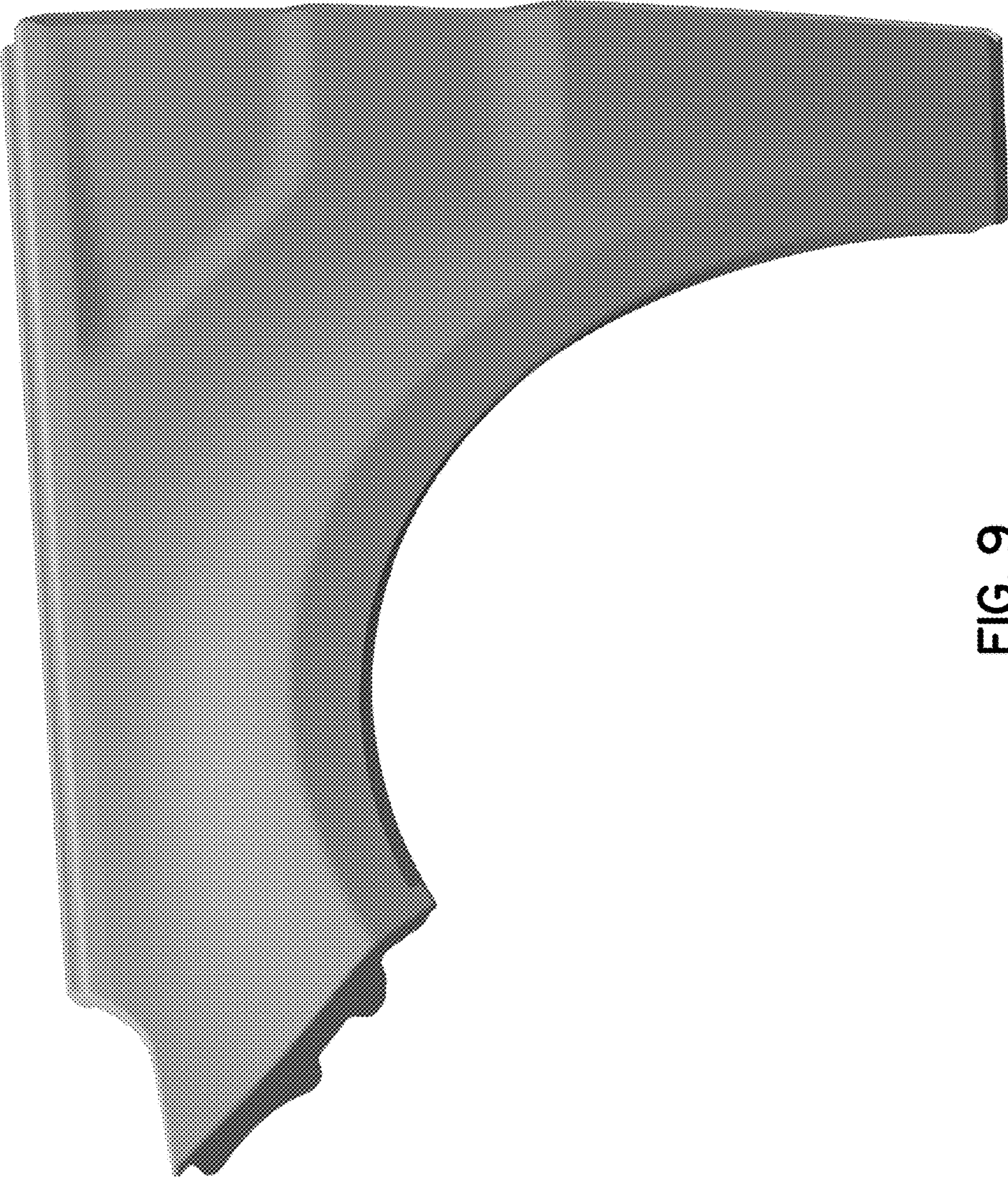


FIG. 9

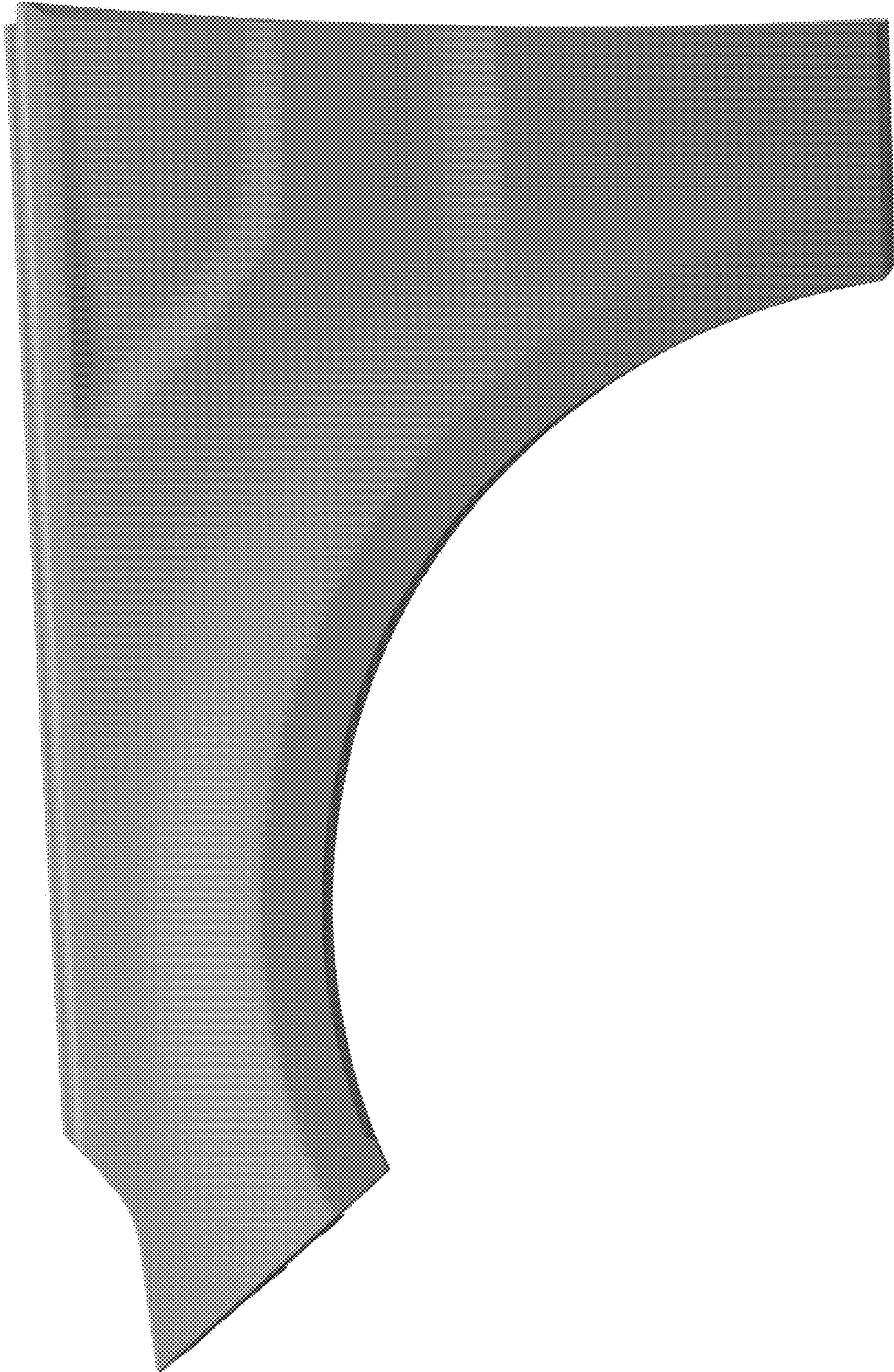


FIG. 10

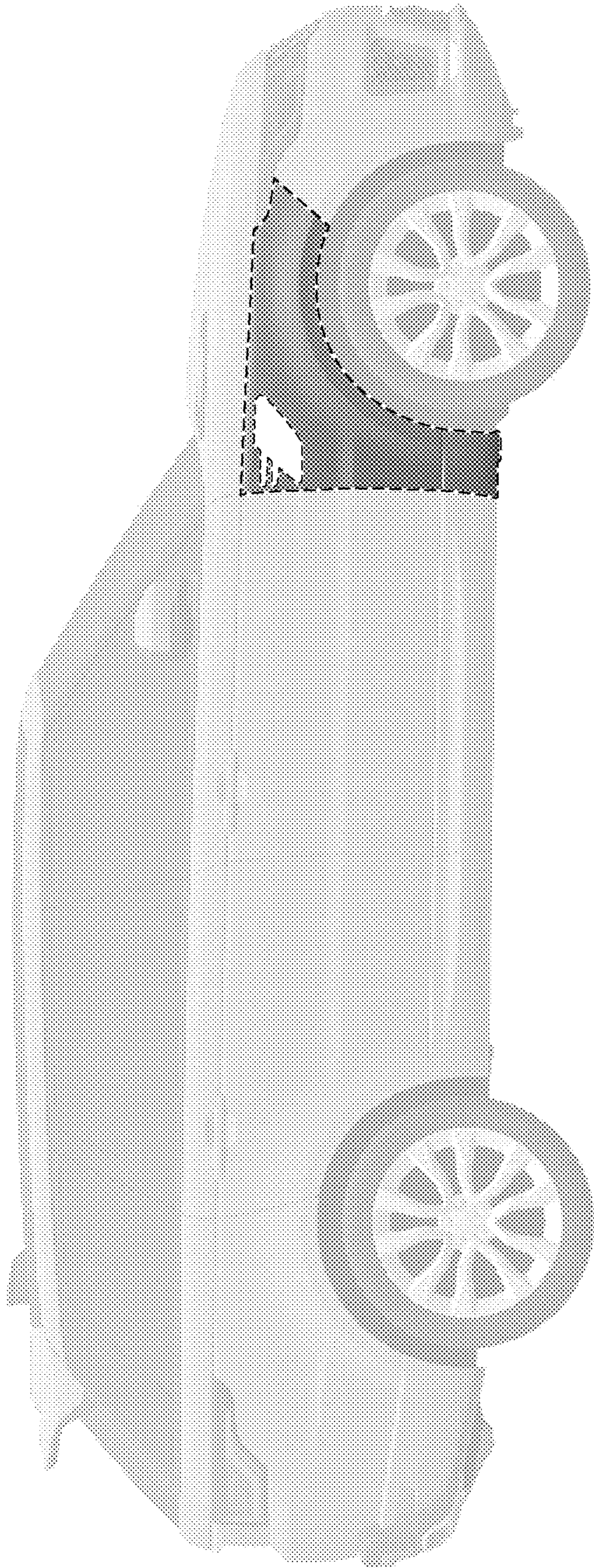


FIG. 11