



US00D865594S

(12) **United States Design Patent** (10) **Patent No.:** **US D865,594 S**  
**Honzawa et al.** (45) **Date of Patent:** **\*\* Nov. 5, 2019**

(54) **CALIPER BODY OF DISK BRAKE FOR VEHICLE**

D512,667 S \* 12/2005 Iwasaki ..... D12/180  
D512,946 S \* 12/2005 Hatakoshi ..... D12/180  
D522,420 S \* 6/2006 Crippa ..... D12/180

(Continued)

(71) Applicant: **NISSIN KOGYO CO., LTD.**, Tomi, Nagano (JP)

FOREIGN PATENT DOCUMENTS

(72) Inventors: **Taketo Honzawa**, Tomi (JP); **Satoshi Ogitani**, Tama (JP); **Hiroaki Tanaka**, Tama (JP)

JP 1172573 S 5/2003  
JP 1510999 S 11/2014

(Continued)

(73) Assignee: **NISSIN KOGYO CO., LTD.**, Tomi (JP)

OTHER PUBLICATIONS

(\*\*) Term: **15 Years**

Decision to Grant Design Registration dated Jul. 21, 2017, issued in counterpart Japanese application No. 2017-006111, with English translation (5 pages).

(21) Appl. No.: **29/618,287**

*Primary Examiner* — Susan E Krakower

(22) Filed: **Sep. 20, 2017**

*Assistant Examiner* — Jerry Shiuan-Hua Hsu

(30) **Foreign Application Priority Data**

(74) *Attorney, Agent, or Firm* — Westerman, Hattori, Daniels & Adrian

Mar. 24, 2017 (JP) ..... 2017-006111

(57) **CLAIM**

(51) **LOC (12) Cl.** ..... **12-16**

The ornamental design for a caliper body of disk brake for vehicle, as shown and described herein.

(52) **U.S. Cl.**

**DESCRIPTION**

USPC ..... **D12/180**

(58) **Field of Classification Search**

USPC ..... D12/179, 180, 188, 123

CPC ..... F16D 65/092; F16D 65/0068; F16D 55/2265; F16D 55/22655

See application file for complete search history.

FIG. 1 is a front view of a caliper body of disk brake for vehicle, showing our new design;  
FIG. 2 is a rear view thereof;  
FIG. 3 is a top view thereof;  
FIG. 4 is a bottom view thereof;  
FIG. 5 is a right side view thereof;  
FIG. 6 is a left side view thereof;  
FIG. 7 is a cross-sectional view taken along line 7-7 of FIG. 1; and,

(56) **References Cited**

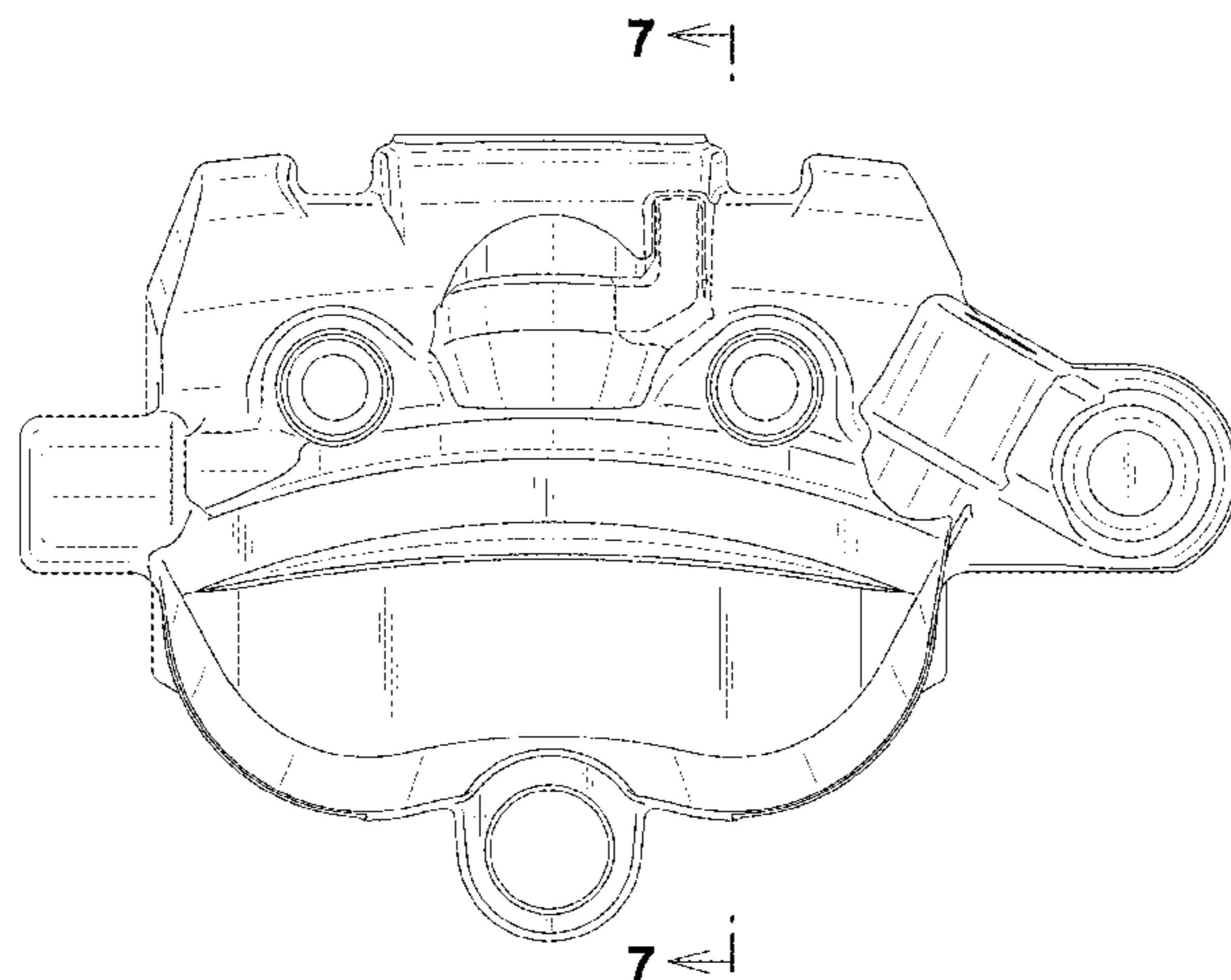
U.S. PATENT DOCUMENTS

D351,365 S \* 10/1994 Powers ..... D12/180  
D373,340 S \* 9/1996 Sands ..... D12/180  
D378,363 S \* 3/1997 Sin ..... D12/180  
6,047,795 A \* 4/2000 Kobayashi ..... F16D 55/22655  
188/73.43  
D491,500 S \* 6/2004 Fujiwara ..... D12/180  
D506,714 S \* 6/2005 Ono ..... D12/180  
D508,001 S \* 8/2005 Matsumoto ..... D12/180

FIG. 8 is a perspective view of the caliper body of disk brake for vehicle.

The broken lines in the drawings illustrate portions of the caliper body of disk brake for vehicle that form no part of the claimed design.

**1 Claim, 8 Drawing Sheets**



(56)

**References Cited**

U.S. PATENT DOCUMENTS

D560,579 S \* 1/2008 Sasaki ..... D12/180  
D560,580 S \* 1/2008 Sasaki ..... D12/180  
D686,955 S \* 7/2013 Asakura ..... D12/180  
D700,551 S \* 3/2014 Davenport, III ..... D12/180  
9,353,809 B2 \* 5/2016 Atsuta ..... F16D 55/2265  
D812,534 S \* 3/2018 Scheibe ..... D12/180  
D842,782 S \* 3/2019 Verdelli ..... D12/180  
2015/0233438 A1 \* 8/2015 Atsuta ..... F16D 65/0068  
188/73.31  
2017/0074338 A1 \* 3/2017 Fischl ..... F16D 65/092

FOREIGN PATENT DOCUMENTS

JP 1511000 S 11/2014  
JP 1511939 S 11/2014

\* cited by examiner

FIGURE 1

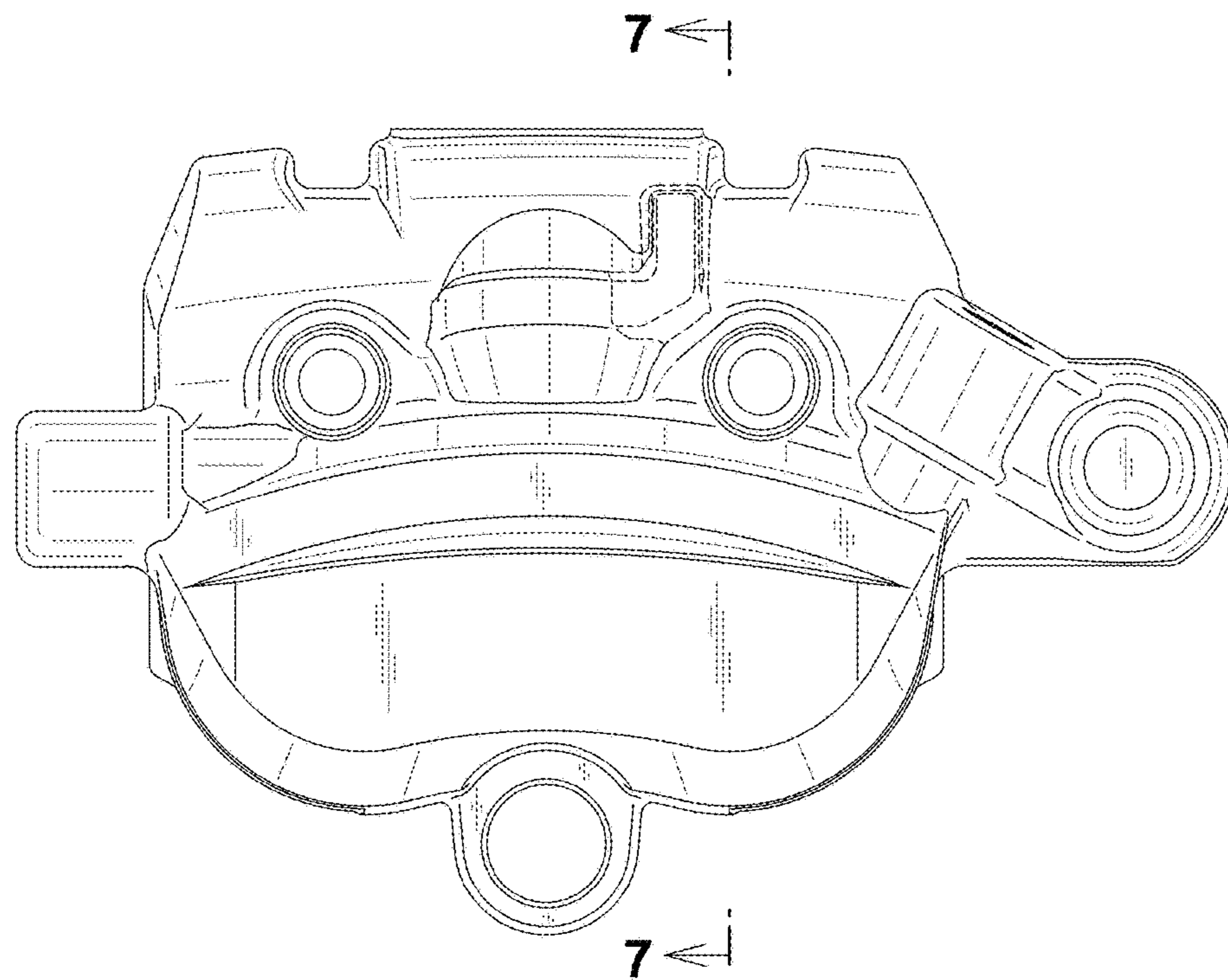


FIGURE 2

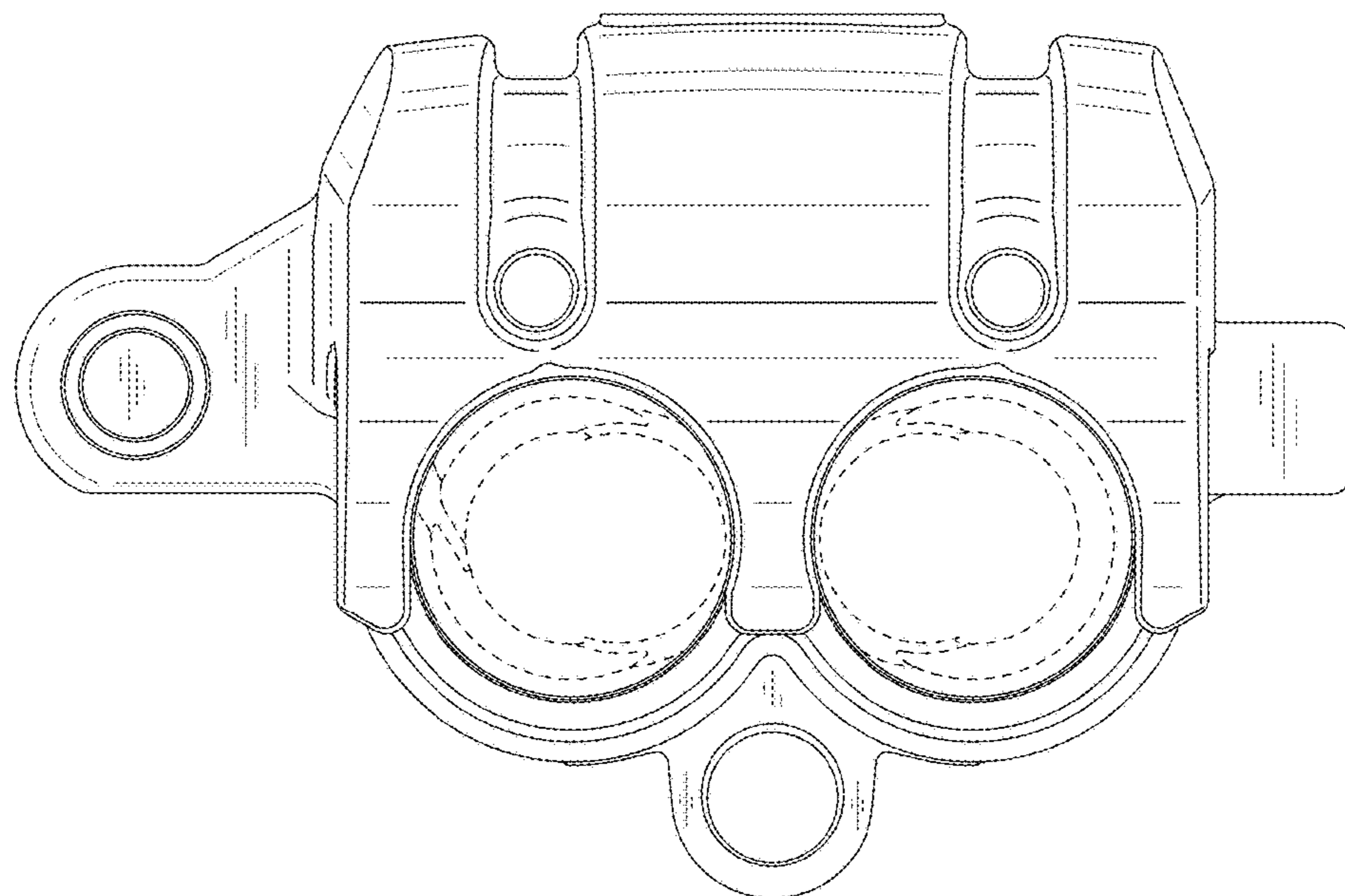


FIGURE 3

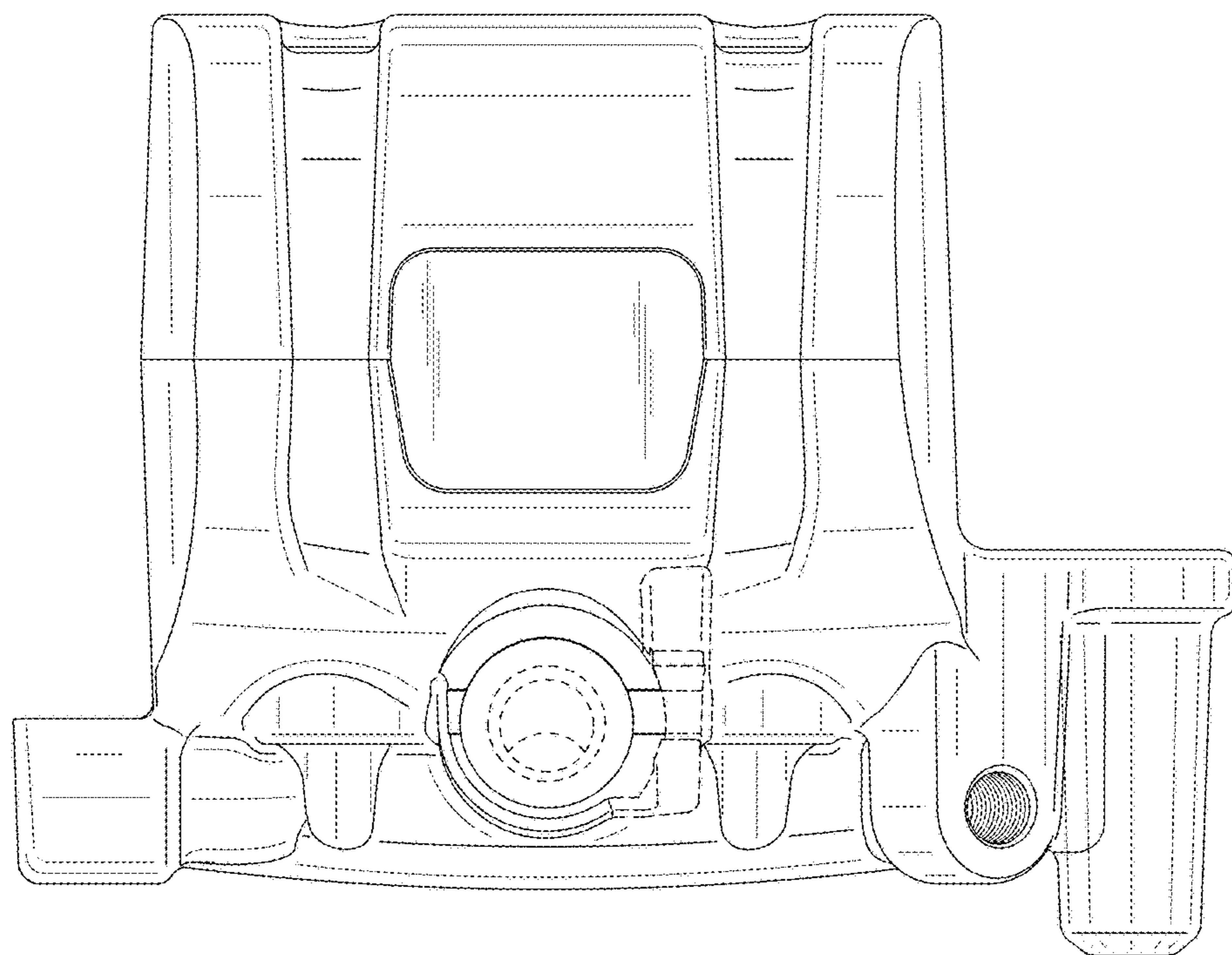


FIGURE 4

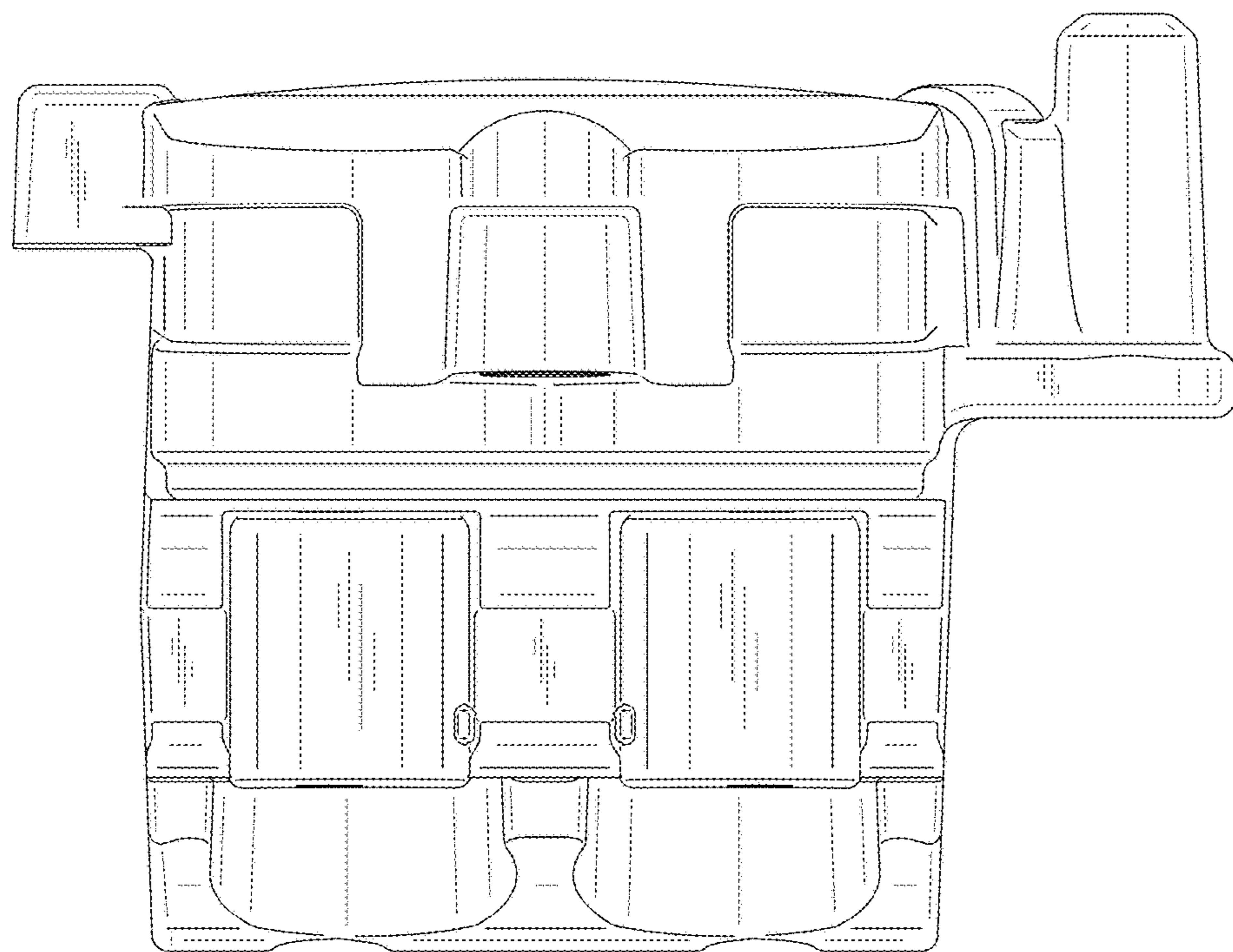


FIGURE 5

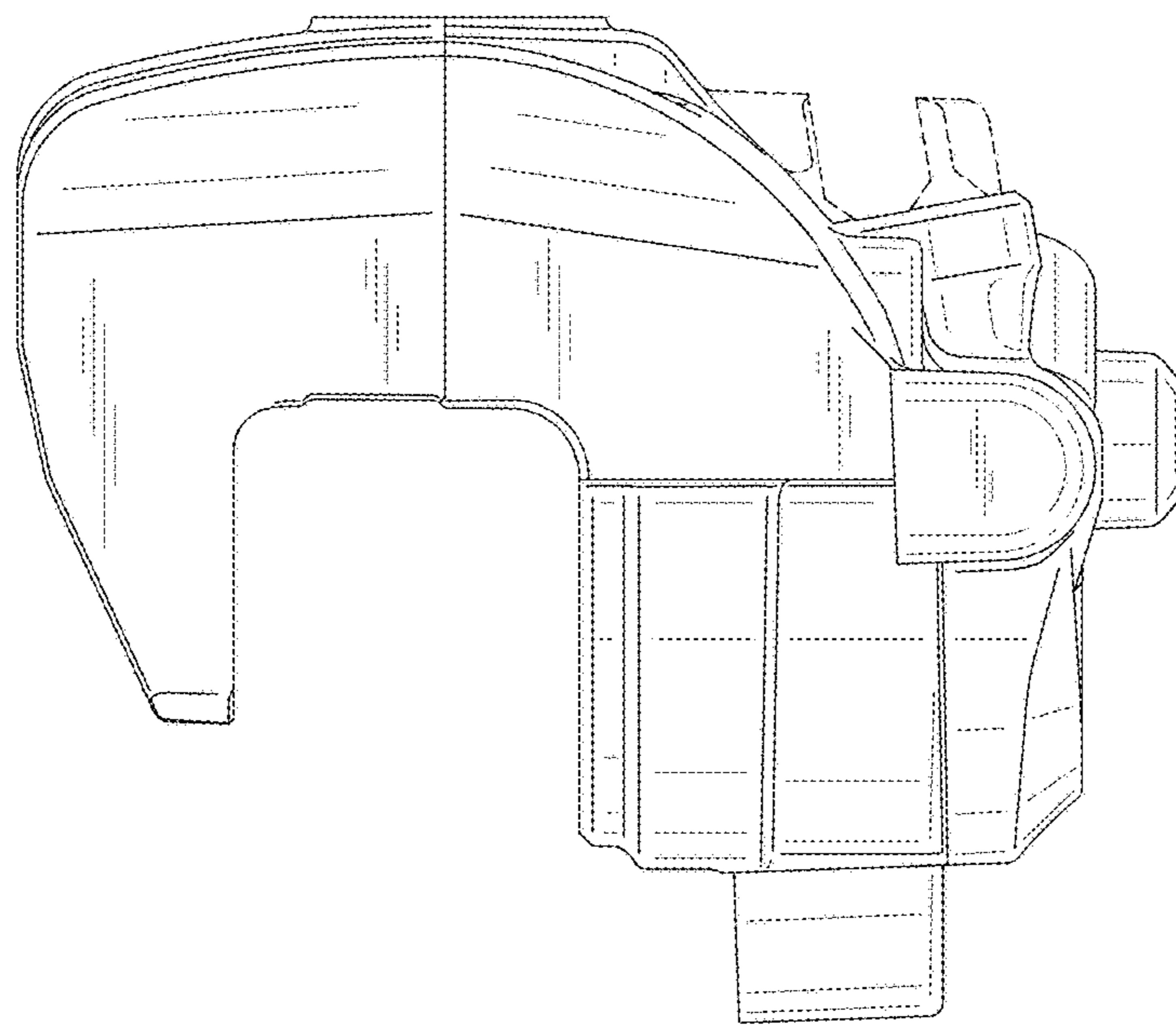


FIGURE 6

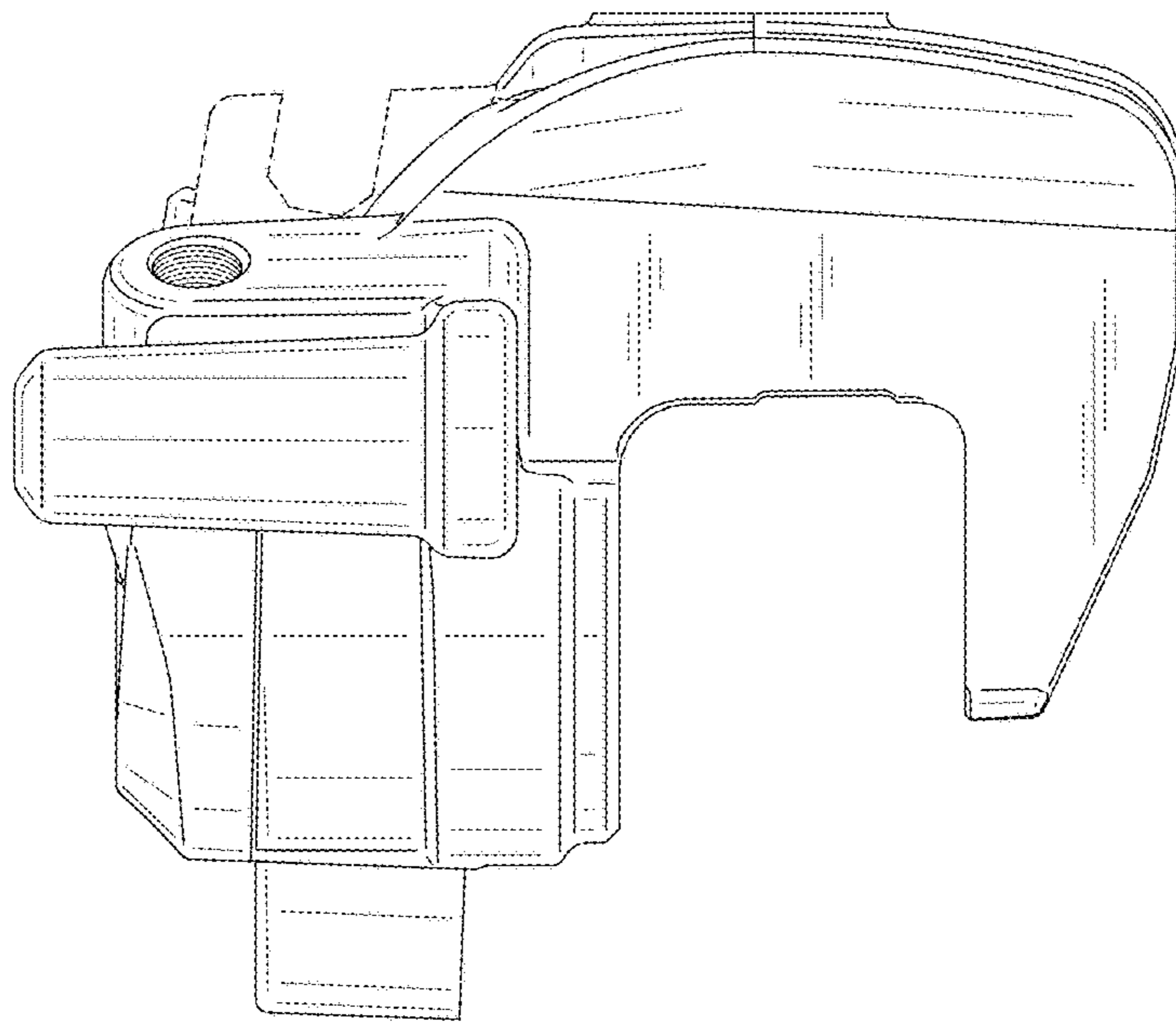




FIGURE 7

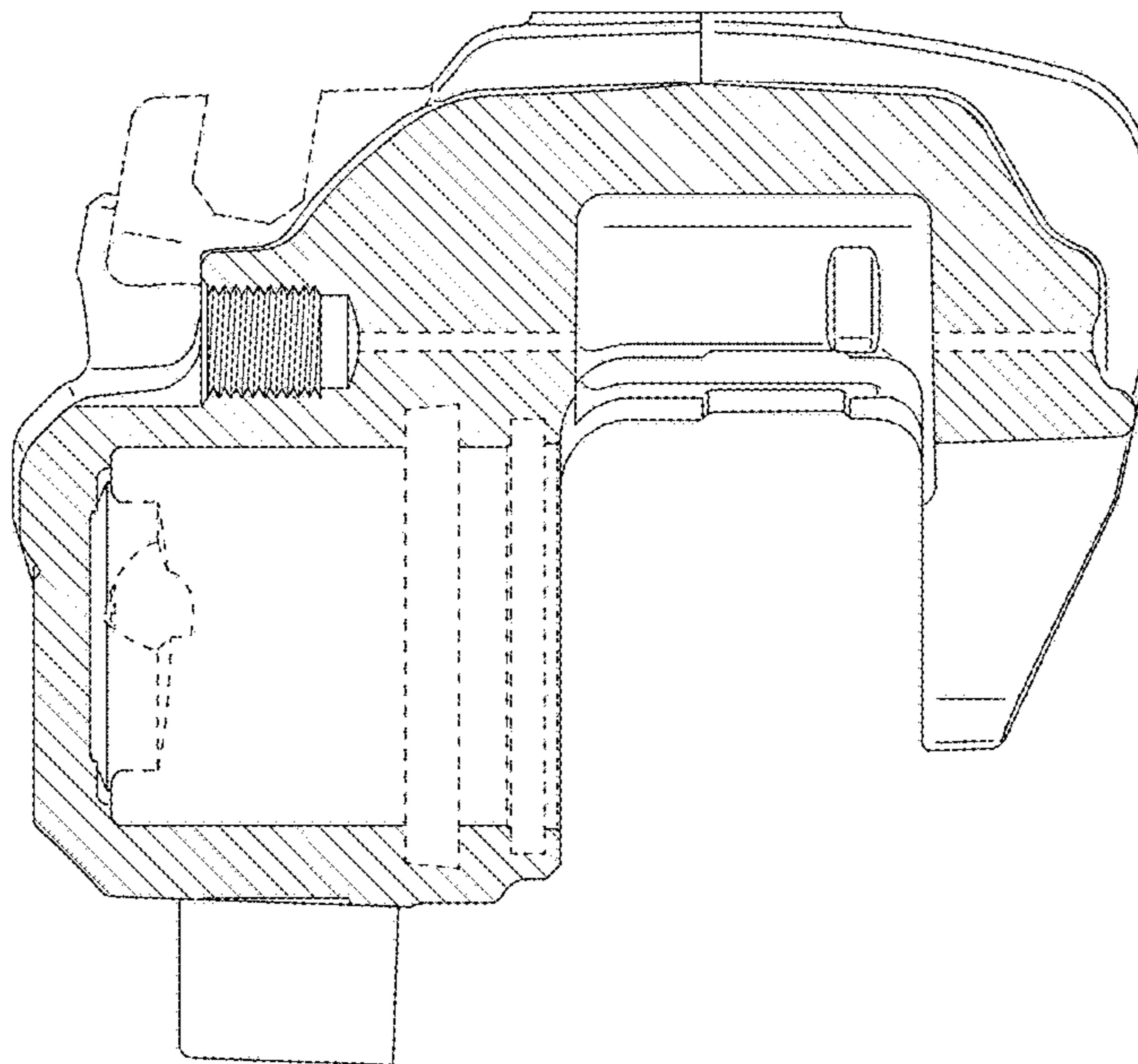


FIGURE 8

