



US00D865587S

(12) **United States Design Patent** (10) **Patent No.:** **US D865,587 S**  
**Ji et al.** (45) **Date of Patent:** **\*\* Nov. 5, 2019**

(54) **BUMPER FOR A VEHICLE**  
(71) Applicants: **KIA MOTORS CORPORATION**,  
Seoul (KR); **HYUNDAI MOTOR**  
**COMPANY**, Seoul (KR)  
(72) Inventors: **Jae-Ho Ji**, Daegu (KR); **Jae-Hyeok**  
**Ho**, Seoul (KR); **Seo-Hee Ahn**,  
Yongin-si (KR); **Han-Mo Kang**, Seoul  
(KR)

(\*\*) Term: **15 Years**  
(21) Appl. No.: **35/505,400**

(22) Filed: **Jun. 14, 2018**

(80) **Hague Agreement Data**  
Int. Filing Date: **Jun. 14, 2018**  
Int. Reg. No.: **DM/102009**  
Int. Reg. Date: **Jun. 14, 2018**  
Int. Reg. Pub. Date: **Aug. 3, 2018**

(30) **Foreign Application Priority Data**  
Jan. 24, 2018 (KR) ..... 30-2018-0003956  
(51) **LOC (12) Cl.** ..... **12-16**  
(52) **U.S. Cl.**  
USPC ..... **D12/169**  
(58) **Field of Classification Search**  
USPC ..... D12/90, 91, 92, 169  
CPC ..... B60J 5/00; B60J 5/02; B60J 5/04; B60J  
5/10; B62D 25/02; B62D 25/04  
See application file for complete search history.

(56) **References Cited**  
U.S. PATENT DOCUMENTS  
D670,627 S \* 11/2012 Fetherston ..... D12/169  
D671,870 S \* 12/2012 Yanase ..... D12/169

D773,348 S \* 12/2016 Munakata ..... D12/169  
D786,748 S \* 5/2017 Hellwig ..... D12/169  
D800,035 S \* 10/2017 Takamatsu ..... D12/169  
D814,369 S \* 4/2018 Loeb ..... D12/169  
D816,566 S \* 5/2018 Loeb ..... D12/169  
D840,298 S \* 2/2019 Smith ..... D12/169  
D841,530 S \* 2/2019 Sterner ..... D12/169  
D843,899 S \* 3/2019 Nakajima ..... D12/169  
D843,900 S \* 3/2019 Basmanov ..... D12/169  
D844,508 S \* 4/2019 Elstner ..... D12/169

\* cited by examiner

*Primary Examiner* — George D. Kirschbaum  
*Assistant Examiner* — Joseph J Kukella

(57) **CLAIM**

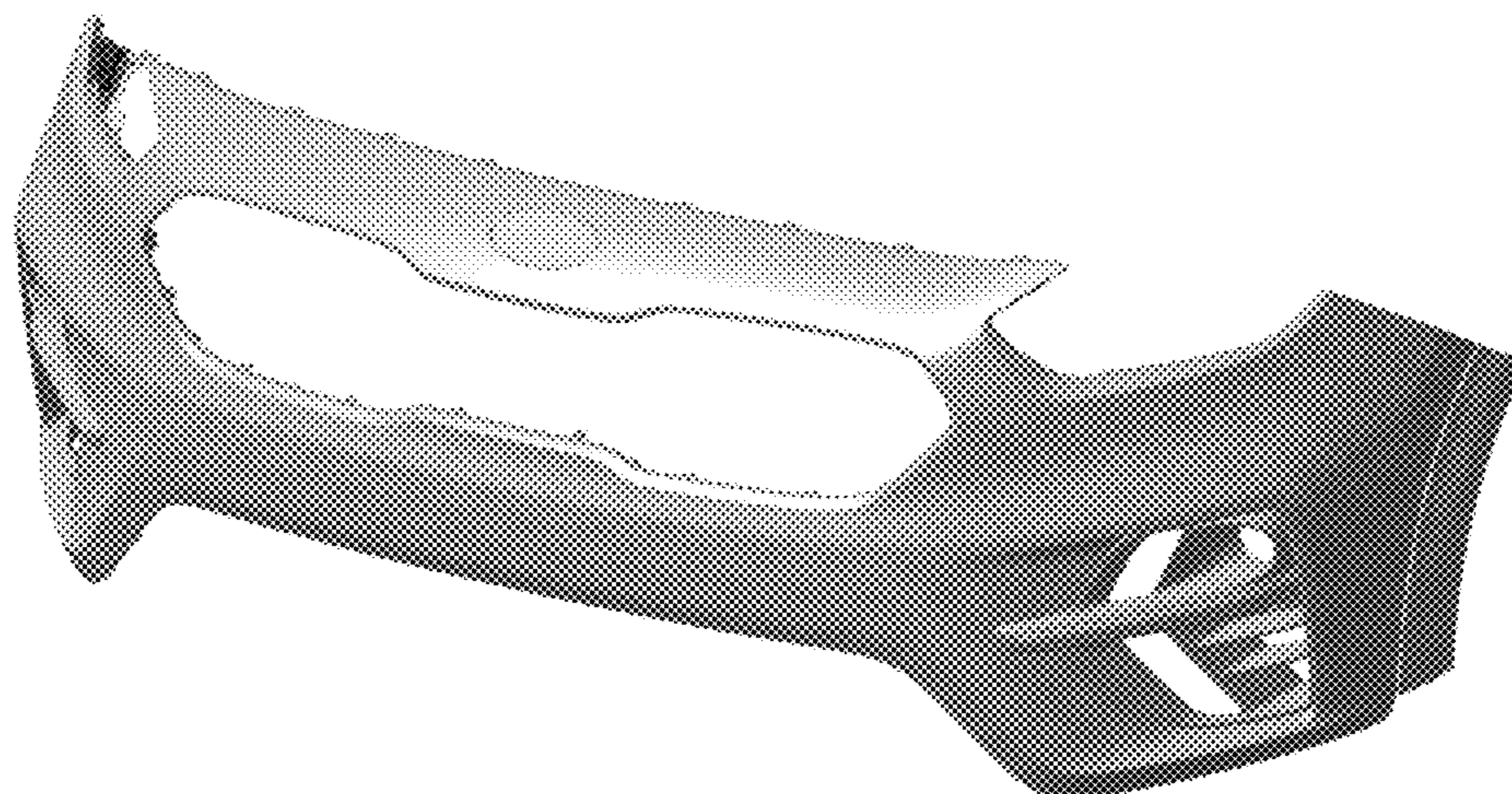
The ornamental design for a bumper for a vehicle, as shown and described.

**DESCRIPTION**

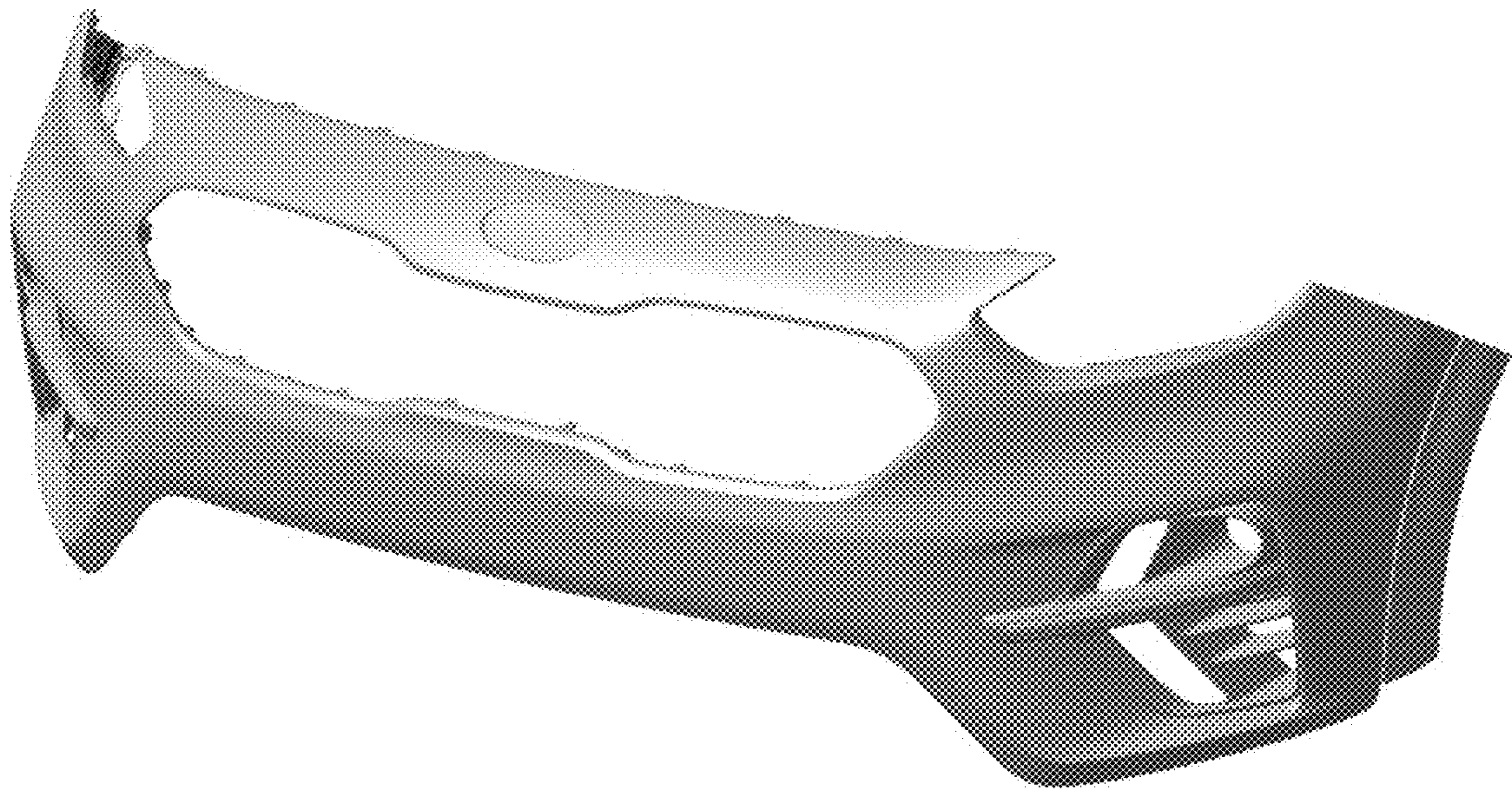
- 1. Bumper for a vehicle
- 1.1 : Perspective
- 1.2 : Front
- 1.3 : Back
- 1.4 : Left
- 1.5 : Right
- 1.6 : Top
- 1.7 : Bottom

Reproduction No. 1.1 is a perspective view of a bumper for vehicles showing our new design; reproduction No. 1.2 is a front elevation view thereof; reproduction No. 1.3 is a rear elevation view thereof; reproduction No. 1.4 is a left side elevation view thereof; reproduction No. 1.5 is a right side elevation view thereof; reproduction No. 1.6 is a top plan view thereof; and reproduction No. 1.7 is a bottom plan view thereof.

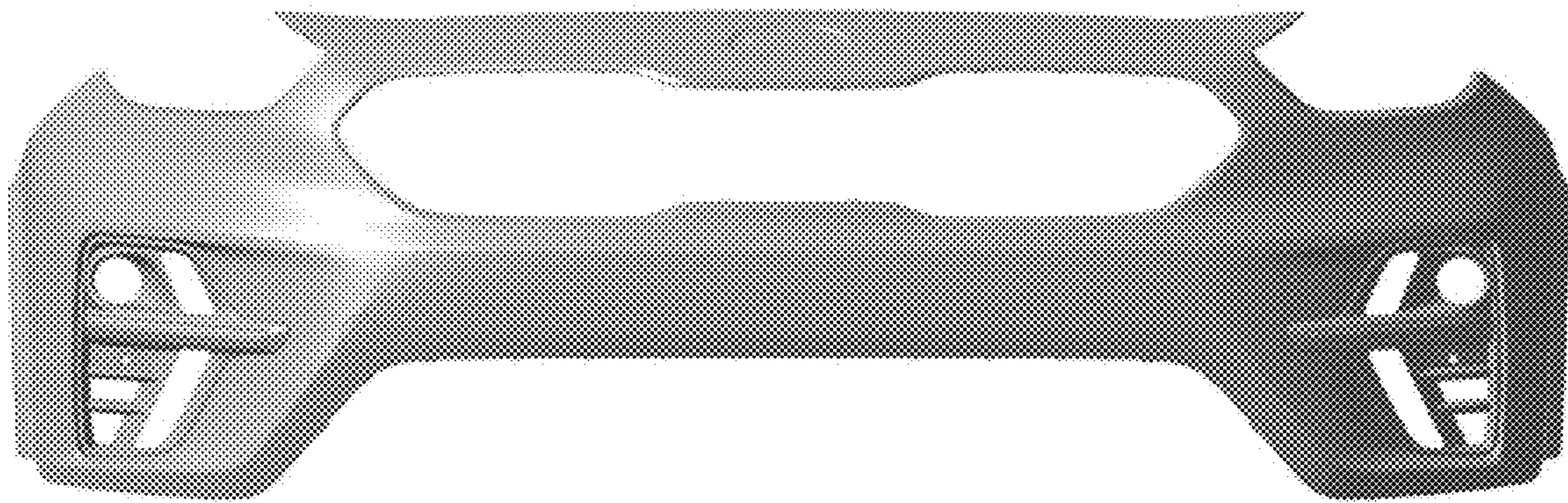
**1 Claim, 7 Drawing Sheets**



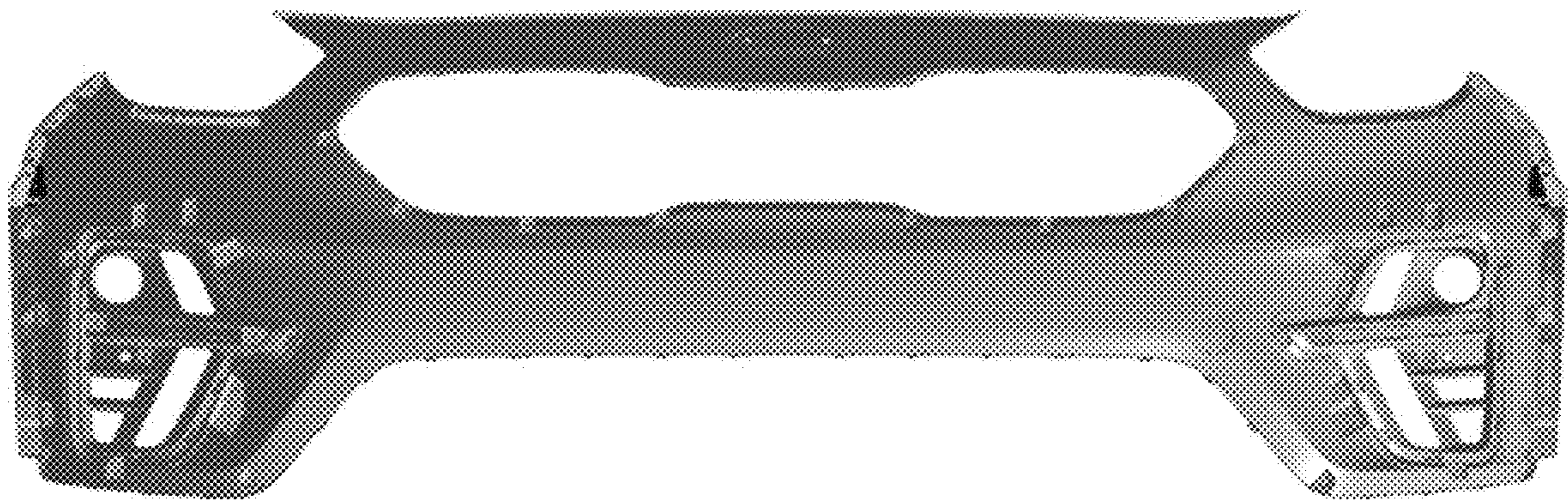
1.1



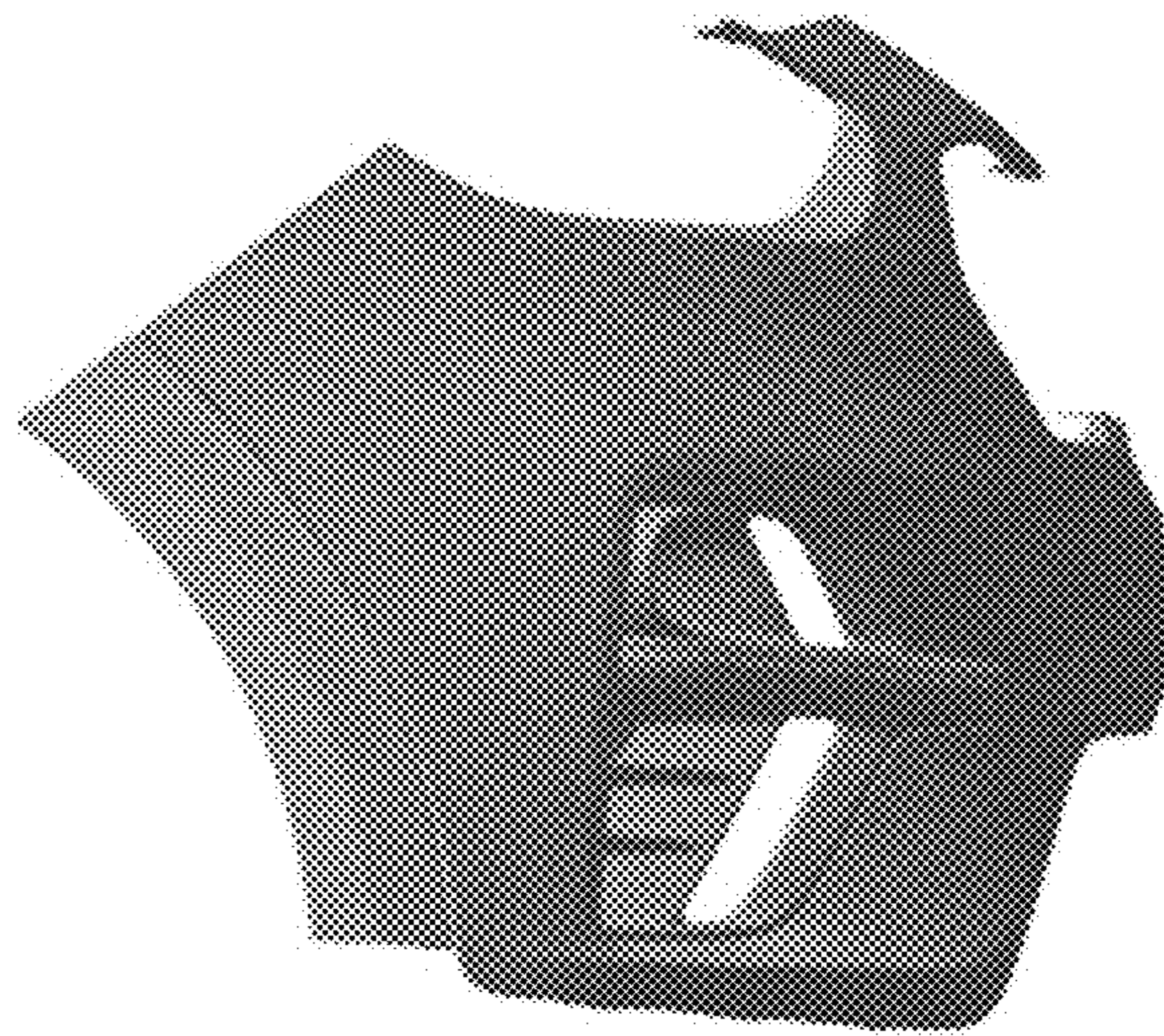
1.2



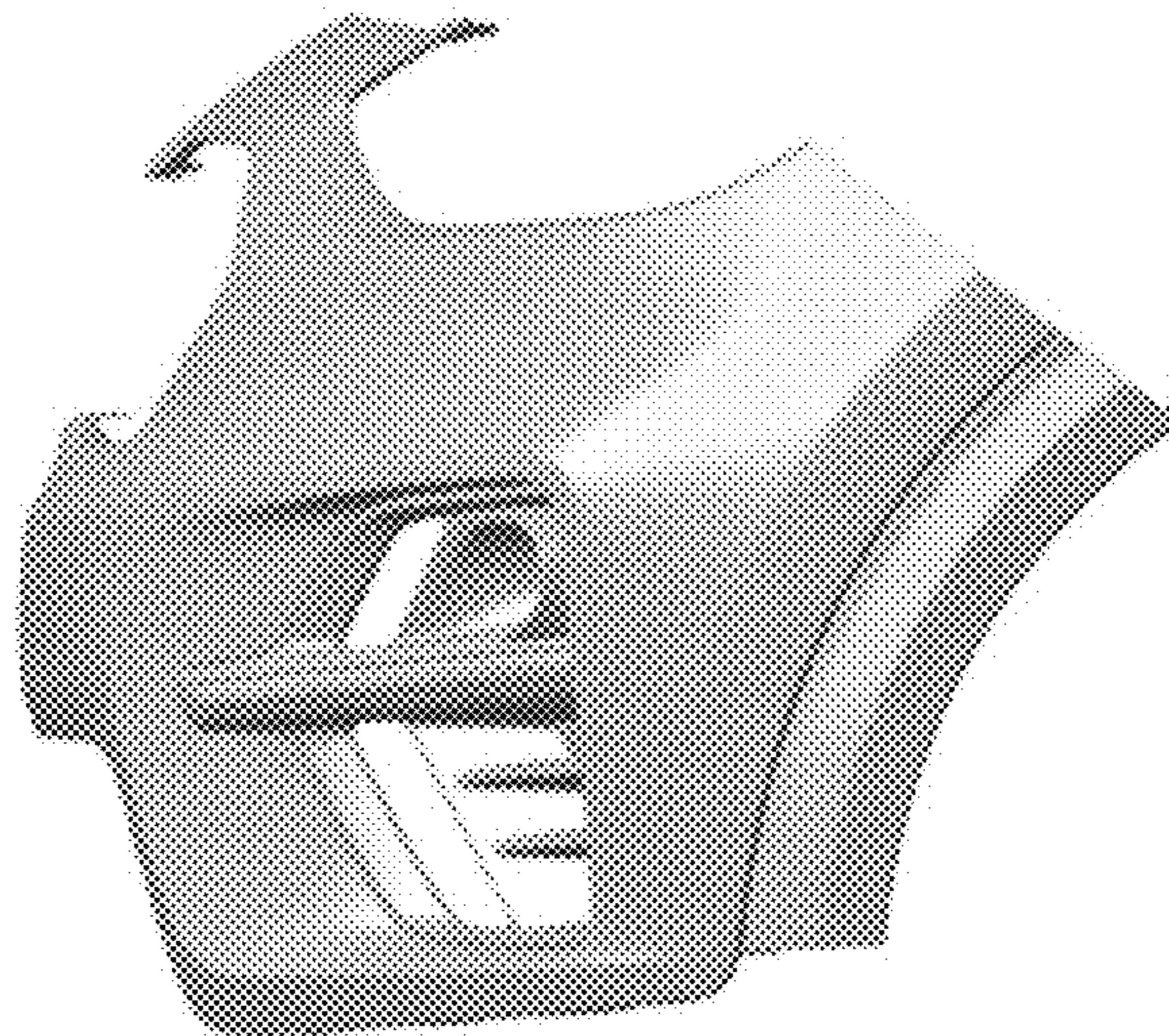
1.3



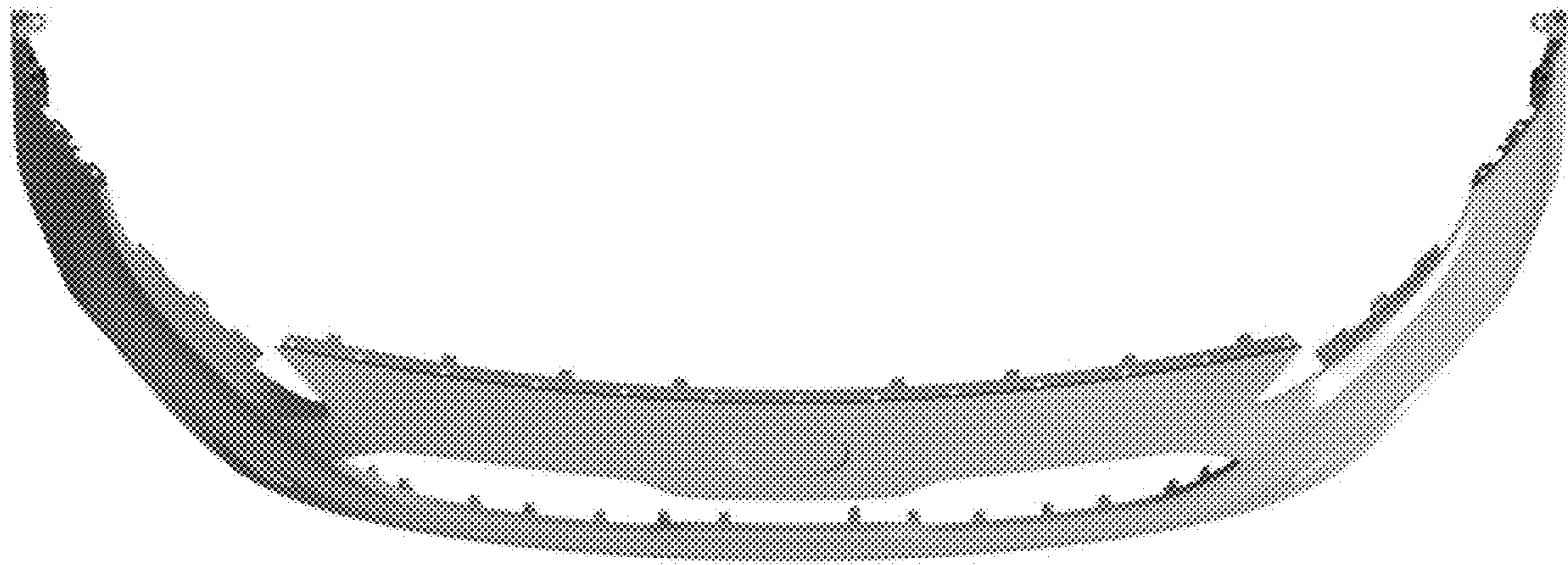
1.4



1.5



1.6



1.7

