



US00D865585S

(12) **United States Design Patent** (10) **Patent No.:** **US D865,585 S**
Harriton et al. (45) **Date of Patent:** **** Nov. 5, 2019**

(54) **REAR BUMPER**

D761,166 S * 7/2016 Hare D12/169
D786,745 S * 5/2017 Zeng D12/167
D830,919 S * 10/2018 Zeng D12/167

(71) Applicant: **StreetCar ORV LLC**, Wixom, MI (US)

(72) Inventors: **David Harriton**, Missoula, MT (US);
Mark Stouffer, Oakland Township, MI (US)

(73) Assignee: **StreetCar ORV LLC**, Wixom, MI (US)

(**) Term: **15 Years**

(21) Appl. No.: **29/624,346**

(22) Filed: **Oct. 31, 2017**

(51) **LOC (12) Cl.** **12-16**

(52) **U.S. Cl.**
USPC **D12/169**

(58) **Field of Classification Search**
USPC D12/86, 163, 164, 167, 169-172, 216;
D21/424, 427, 433, 483, 533, 548
CPC B60R 19/02; B60R 19/04; B60R 19/18;
B60R 19/24; B60R 19/26; B60R 19/52;
B62D 25/08; B60K 11/08
See application file for complete search history.

(56) **References Cited**

U.S. PATENT DOCUMENTS

D375,067 S * 10/1996 Bronstein D12/169
D491,496 S * 6/2004 Metros D12/169
D512,351 S * 12/2005 Hattori D12/169
D536,646 S * 2/2007 Shimoguchi D12/169
D744,386 S * 12/2015 Harriton D12/169

OTHER PUBLICATIONS

<https://ok4wd.com/aev-rear-bumper-for-jeep-wrangler-jk> Available Mar. 22, 2015 (Year: 2015).*

* cited by examiner

Primary Examiner — Leanne Was-Englehart

(74) *Attorney, Agent, or Firm* — Quinn IP Law

(57) **CLAIM**

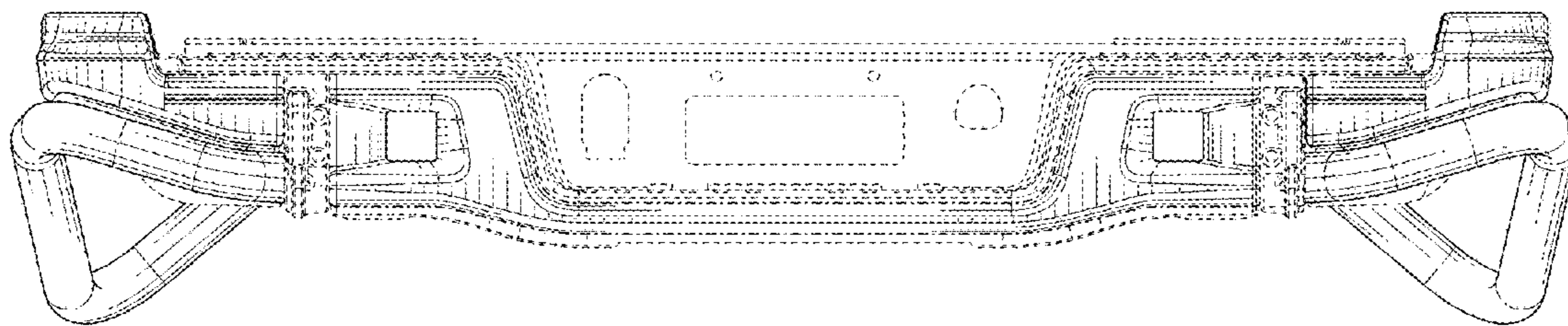
We claim the ornamental design for a rear bumper, as shown and described.

DESCRIPTION

FIG. 1 is a top, right and rear perspective view of a rear bumper,
FIG. 2 is a bottom, right and rear perspective view thereof,
FIG. 3 is a top, right and front perspective view thereof,
FIG. 4 is another top, right and rear perspective view thereof,
FIG. 5 is a rear elevation view thereof,
FIG. 6 is a front elevation view thereof,
FIG. 7 is a left elevation view thereof,
FIG. 8 is a right elevation view thereof,
FIG. 9 is a top plan view thereof; and,
FIG. 10 is a bottom plan view thereof.

All broken lines illustrate portions of the rear bumper to which the design is applied that form no part of the claim. The dot-dash broken lines in the figures show boundaries that form no part of the claimed design.

1 Claim, 8 Drawing Sheets



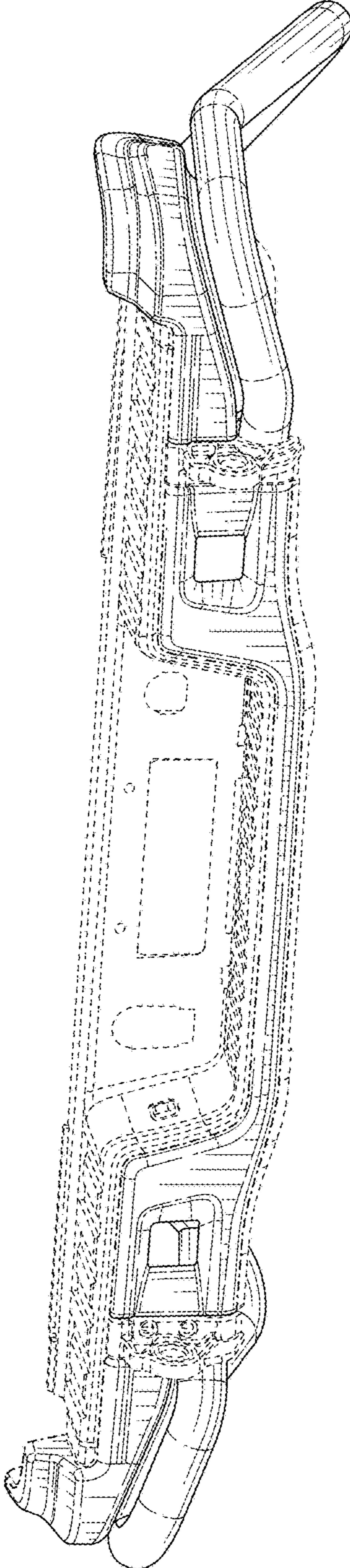


FIG. 1

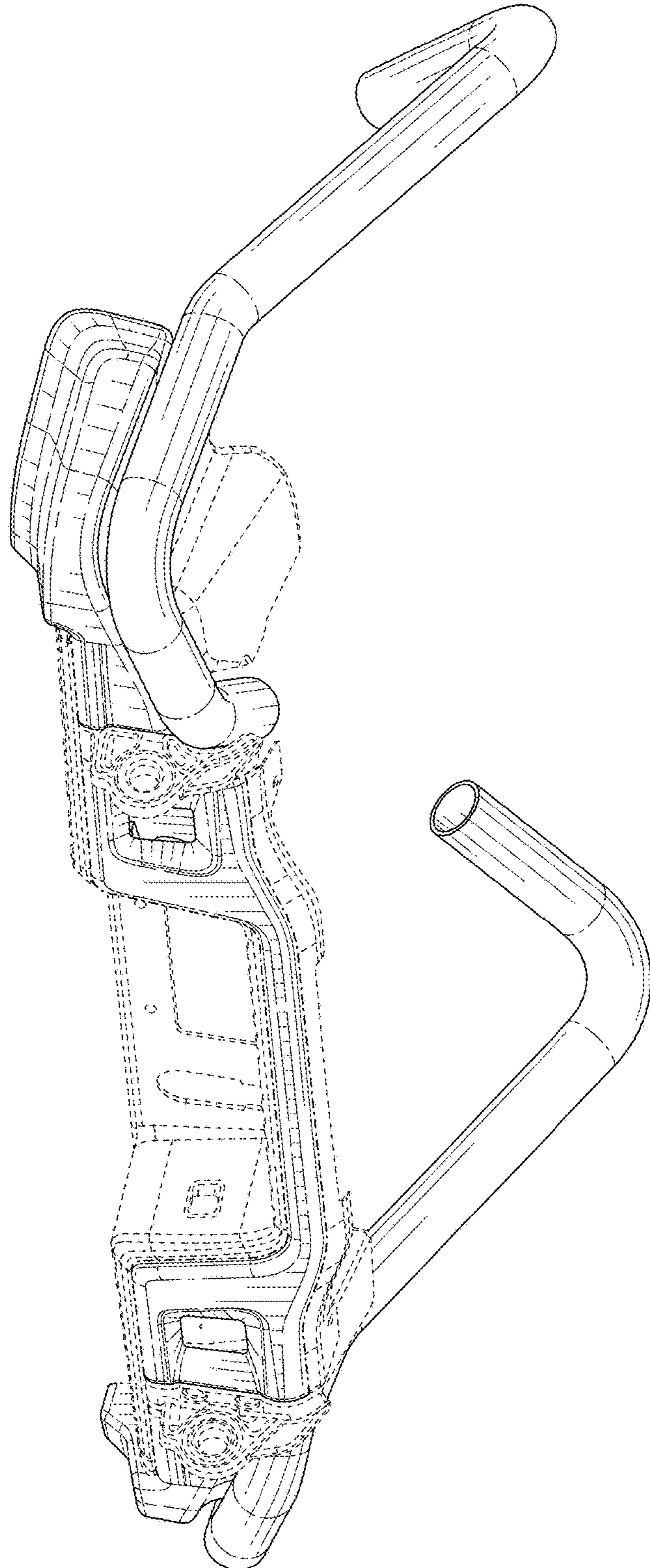


FIG. 2

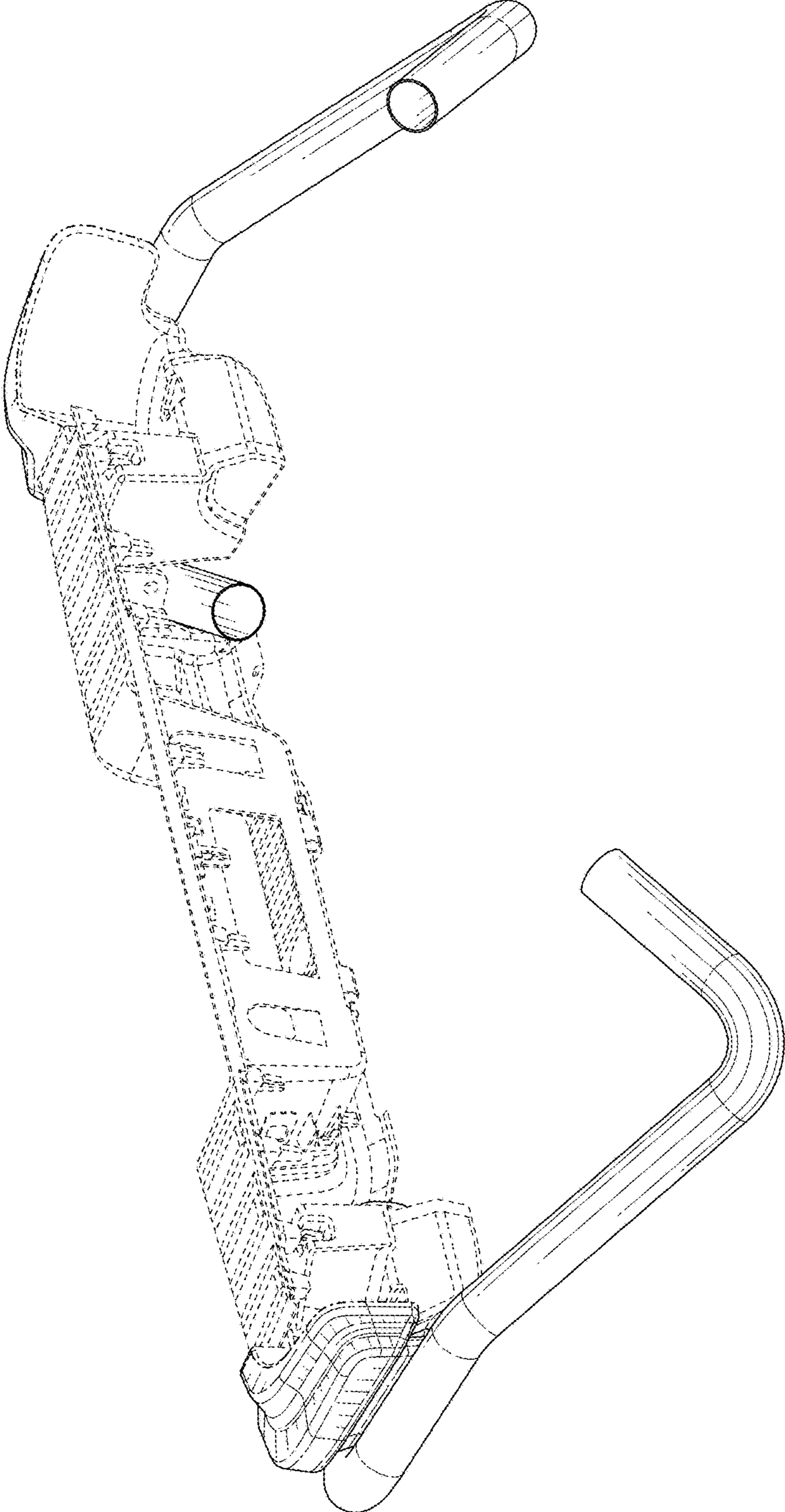


FIG. 3

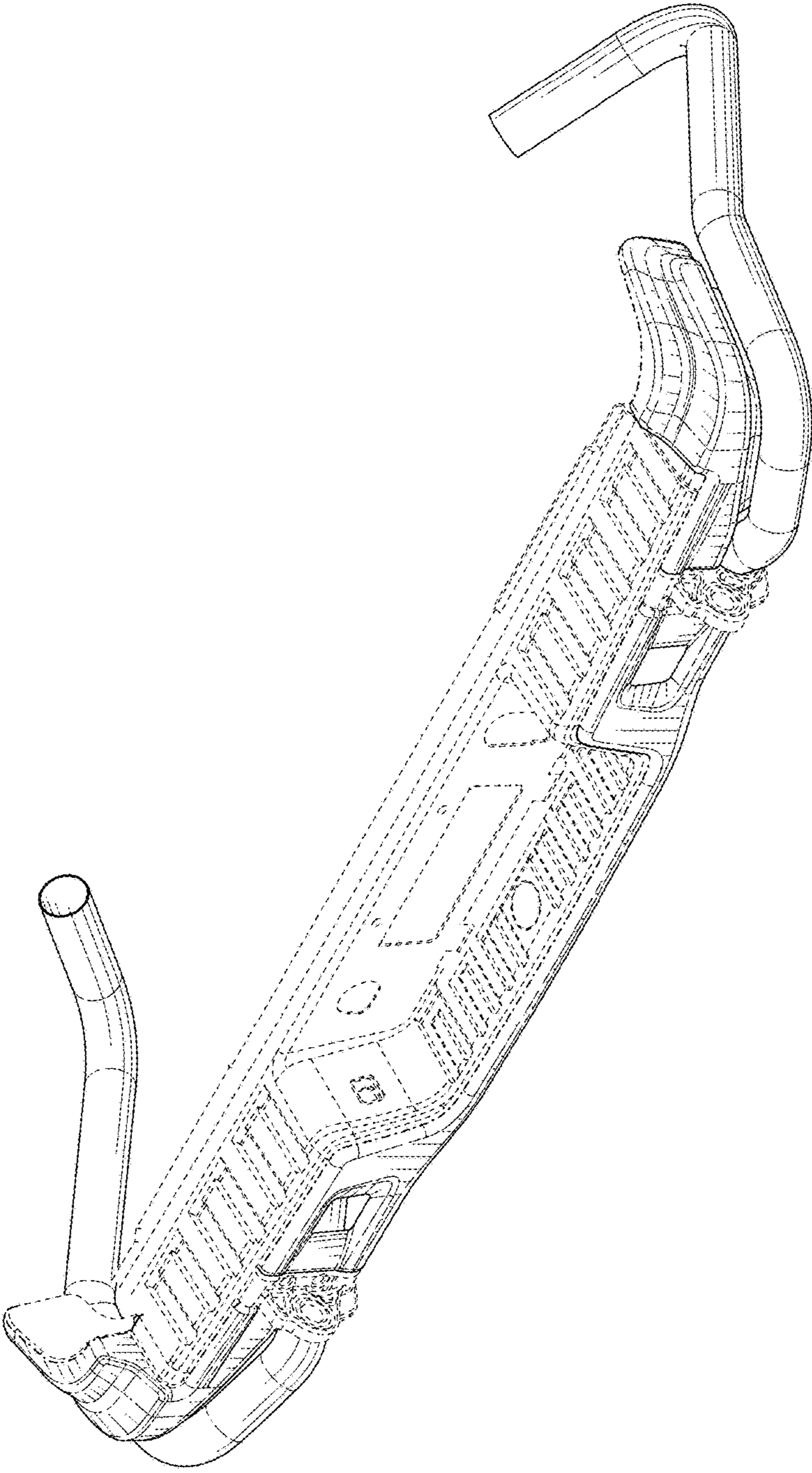


FIG. 4

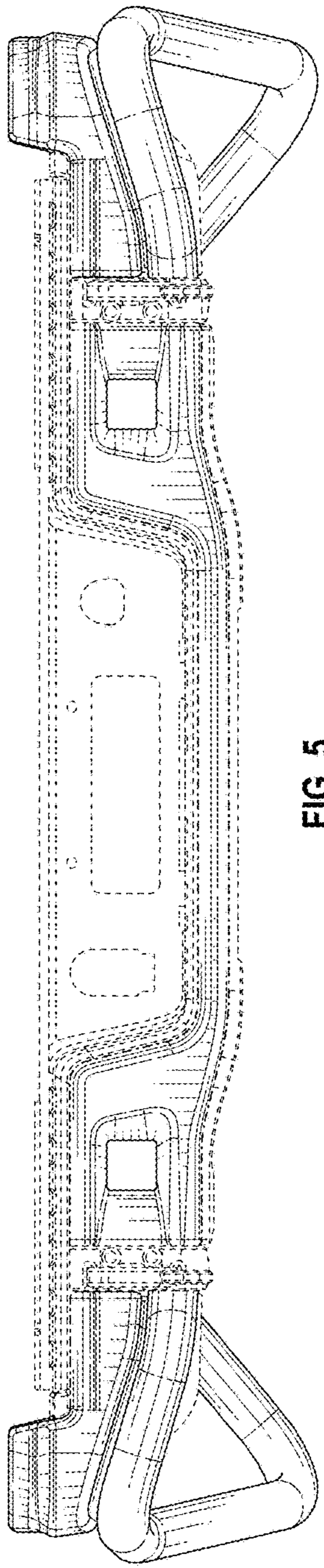


FIG. 5

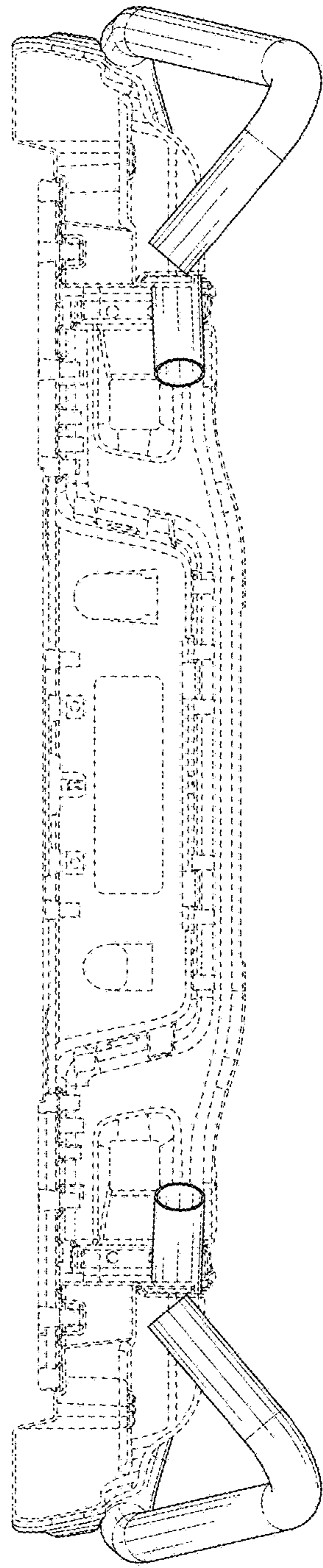


FIG. 6

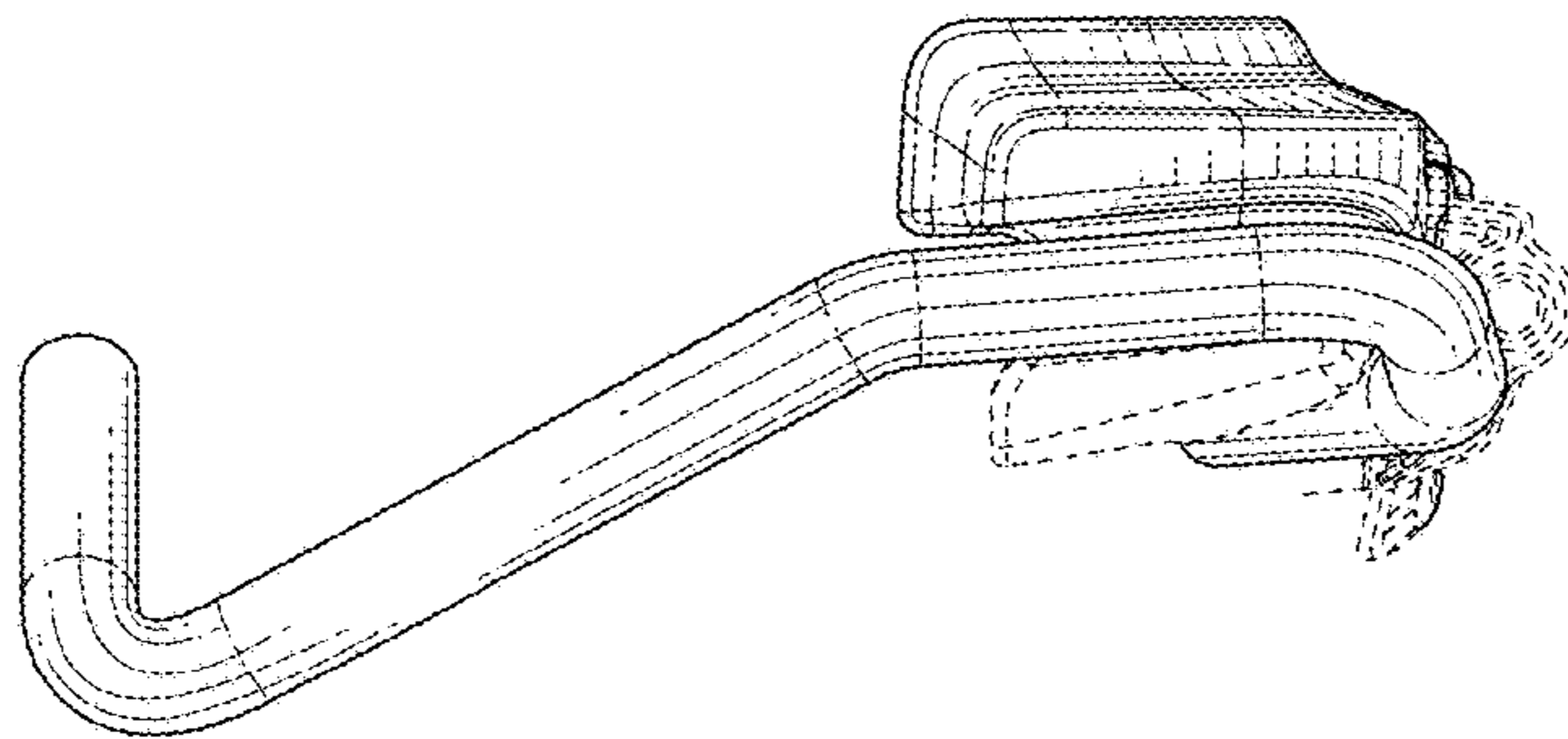


FIG. 7

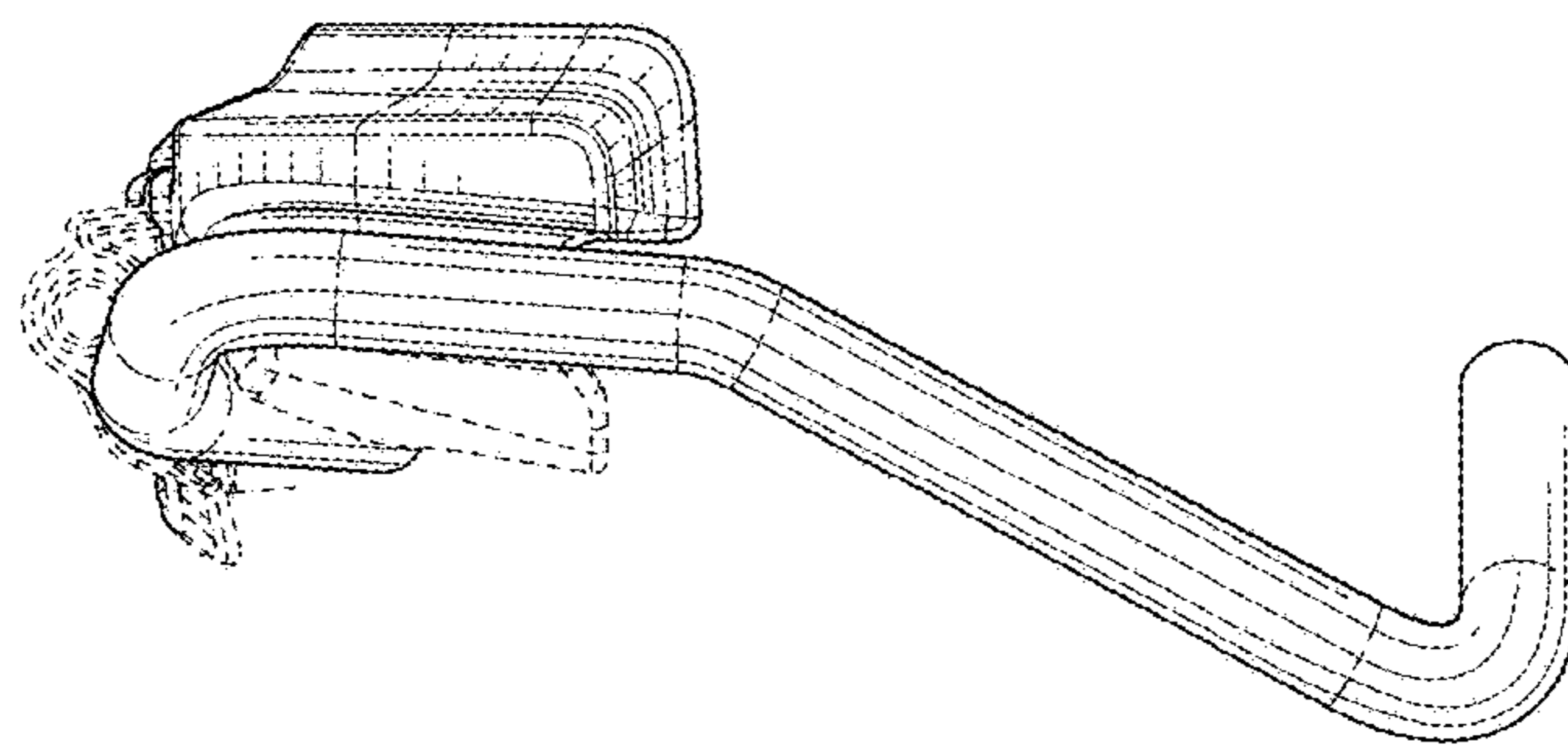


FIG. 8

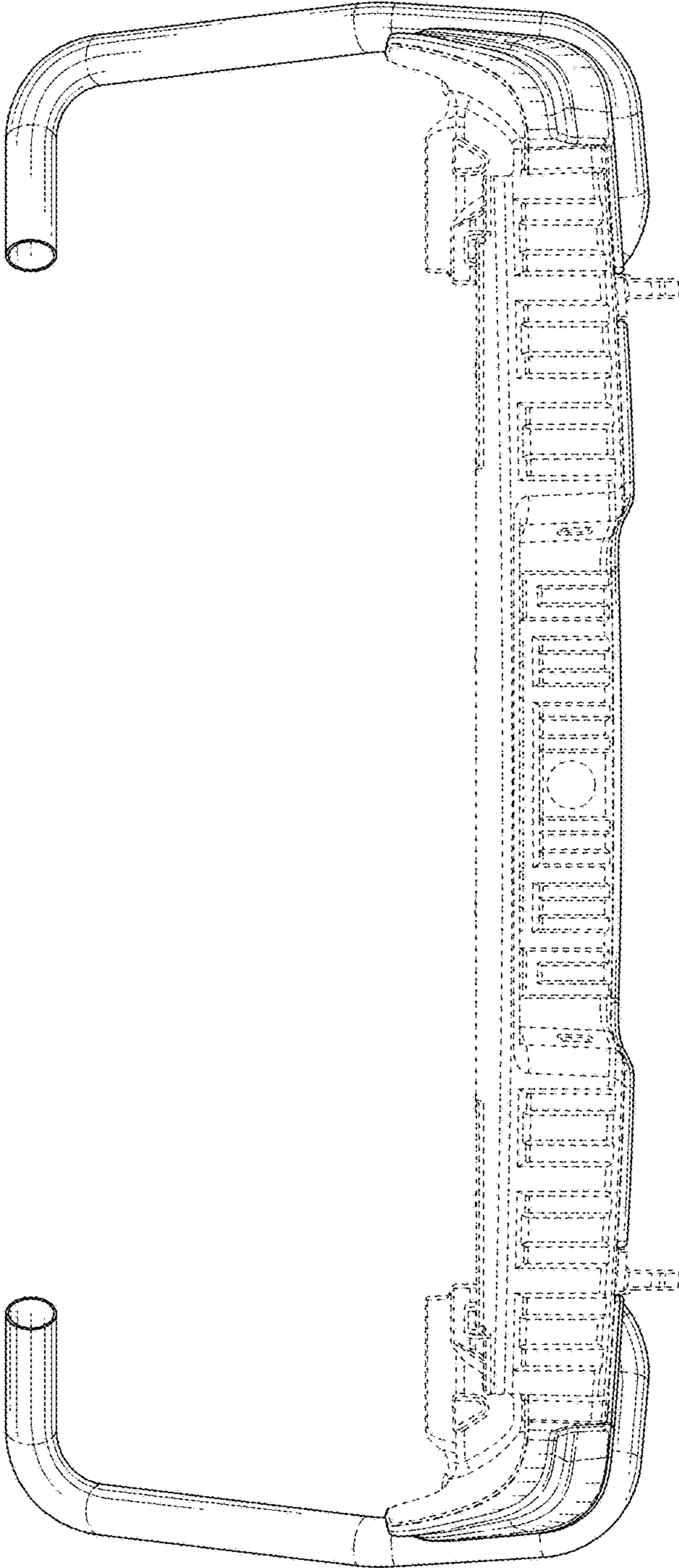


FIG. 9

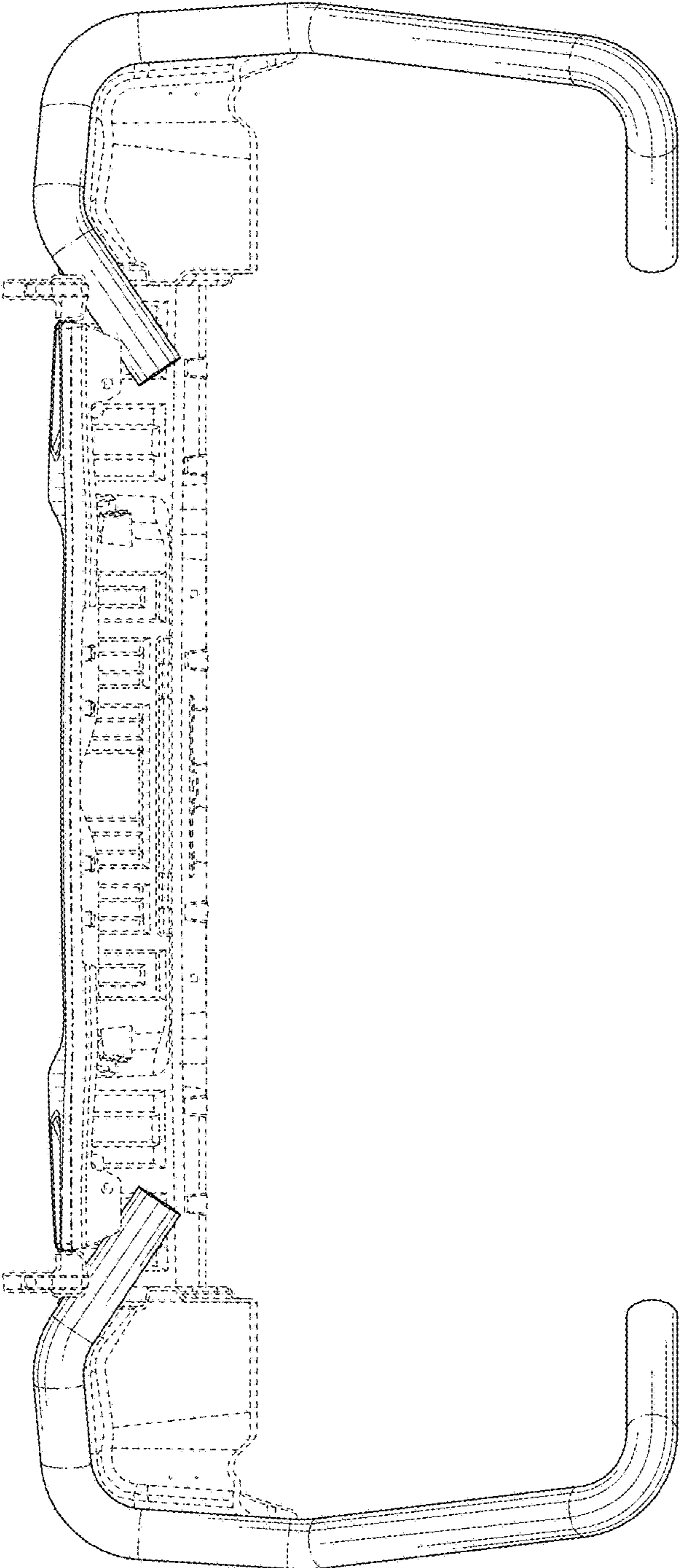


FIG. 10