



US00D865583S

(12) **United States Design Patent** (10) **Patent No.:** **US D865,583 S**
Burki (45) **Date of Patent:** **** Nov. 5, 2019**

(54) **REAR BUMPER FOR MOTOR VEHICLE**

(71) Applicant: **Dr. Ing. h.c. F. Porsche Aktiengesellschaft, Stuttgart (DE)**

(72) Inventor: **Emiel Burki, Stuttgart (DE)**

(73) Assignee: **Dr. Ing. h.c. F. Porsche Aktiengesellschaft (DE)**

(**) Term: **15 Years**

(21) Appl. No.: **29/621,312**

(22) Filed: **Oct. 6, 2017**

(30) **Foreign Application Priority Data**

Apr. 7, 2017 (DE) 40 2017 100 455

(51) **LOC (12) Cl.** **12-16**

(52) **U.S. Cl.**
USPC **D12/169**

(58) **Field of Classification Search**
USPC D12/169, 164, 196, 171, 163, 86, 90-92;
293/102, 113, 115, 117, 120; 296/180.1,
296/180.2

CPC B60R 19/02; B60R 19/04; B62D 25/08
See application file for complete search history.

(56) **References Cited**

U.S. PATENT DOCUMENTS

| | | | | |
|--------------|--------|----------|-------|---------|
| D598,829 S * | 8/2009 | Mattin | | D12/169 |
| D600,604 S * | 9/2009 | Lamm | | D12/169 |
| D600,605 S * | 9/2009 | Lamm | | D12/169 |
| D610,957 S * | 3/2010 | Bucher | | D12/169 |
| D619,513 S * | 7/2010 | Miyazawa | | D12/169 |
| D678,147 S * | 3/2013 | Behmer | | D12/169 |
| D678,826 S * | 3/2013 | Akamine | | D12/169 |
| D685,302 S * | 7/2013 | Futschik | | D12/169 |
| D688,993 S * | 9/2013 | Campbell | | D12/169 |

| | | | | |
|--------------|---------|-------------|-------|---------|
| D688,994 S * | 9/2013 | Campbell | | D12/169 |
| D692,809 S * | 11/2013 | Uchino | | D12/169 |
| D695,162 S | 12/2013 | Scheinhütte | | |
| D701,805 S * | 4/2014 | Campbell | | D12/169 |
| D702,158 S | 4/2014 | Borkert | | |
| D703,591 S * | 4/2014 | Kwon | | D12/169 |
| D705,139 S * | 5/2014 | Jevremovic | | D12/169 |
| D712,802 S | 9/2014 | Scheinhütte | | |
| D713,766 S * | 9/2014 | Katou | | D12/169 |
| D721,625 S * | 1/2015 | George | | D12/169 |
| D721,993 S * | 2/2015 | Nordmann | | D12/169 |
| D746,739 S * | 1/2016 | Wolff | | D12/169 |
| D792,294 S * | 7/2017 | McCabe | | D12/169 |
| D795,141 S * | 8/2017 | Ikeda | | D12/169 |
| D800,614 S * | 10/2017 | Park | | D12/169 |
| D807,801 S * | 1/2018 | Piscitelli | | D12/169 |
| D814,994 S * | 4/2018 | Varga | | D12/169 |

* cited by examiner

Primary Examiner — Melody N Brown

(74) *Attorney, Agent, or Firm* — RatnerPrestia

(57) **CLAIM**

The ornamental design for a rear bumper for motor vehicle, as shown and described.

DESCRIPTION

FIG. 1 is a left perspective view of a rear bumper for motor vehicle;

FIG. 2 is a rear elevation view thereof;

FIG. 3 is a front elevation view thereof;

FIG. 4 is a left side elevation view thereof;

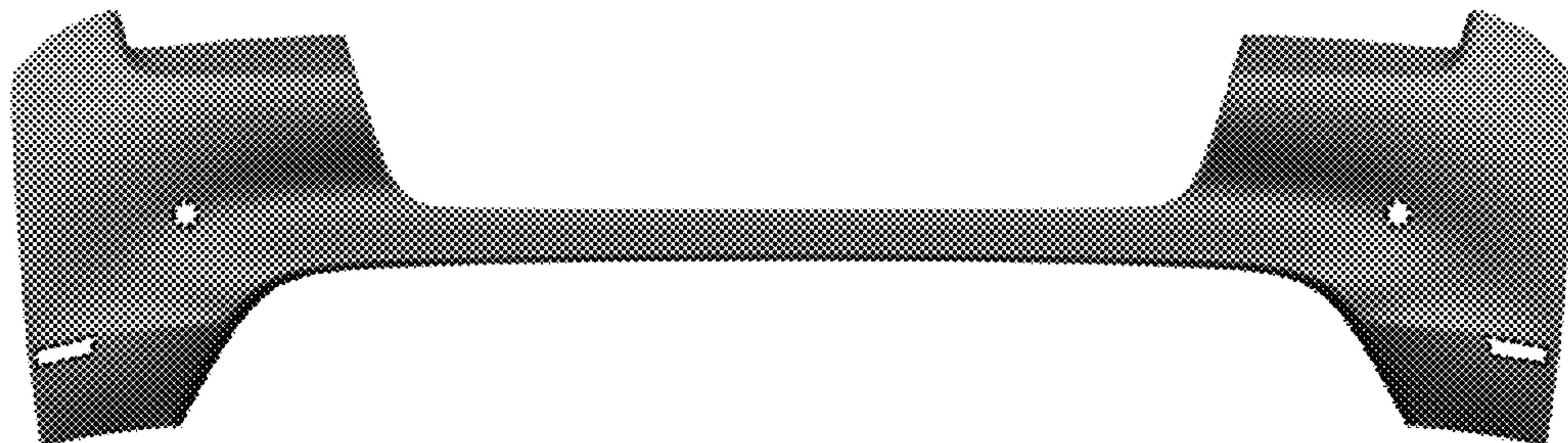
FIG. 5 is a right side elevation view thereof;

FIG. 6 is a top plan view thereof; and,

FIG. 7 is a bottom plan view thereof.

The broken line showing of the rear bumper for motor vehicle is for the purpose of illustrating portions of the rear bumper for motor vehicle and forms no part of the claimed design.

1 Claim, 4 Drawing Sheets



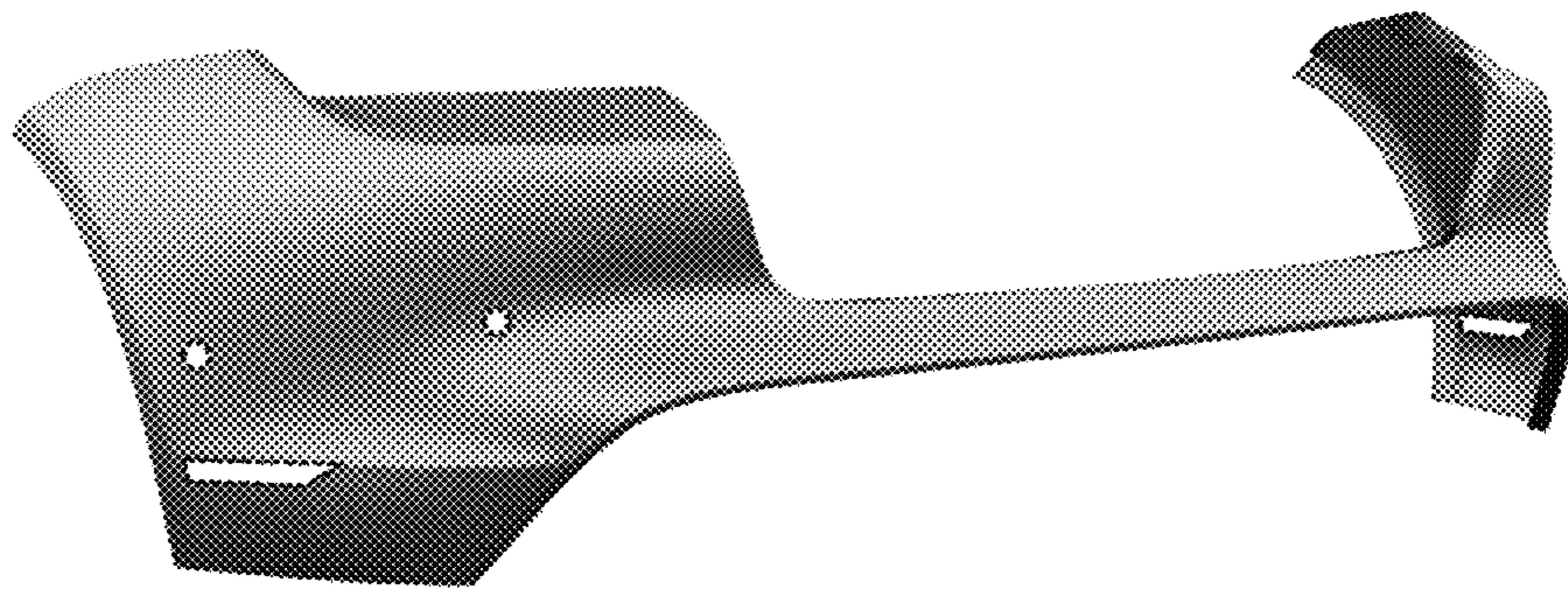


FIG. 1

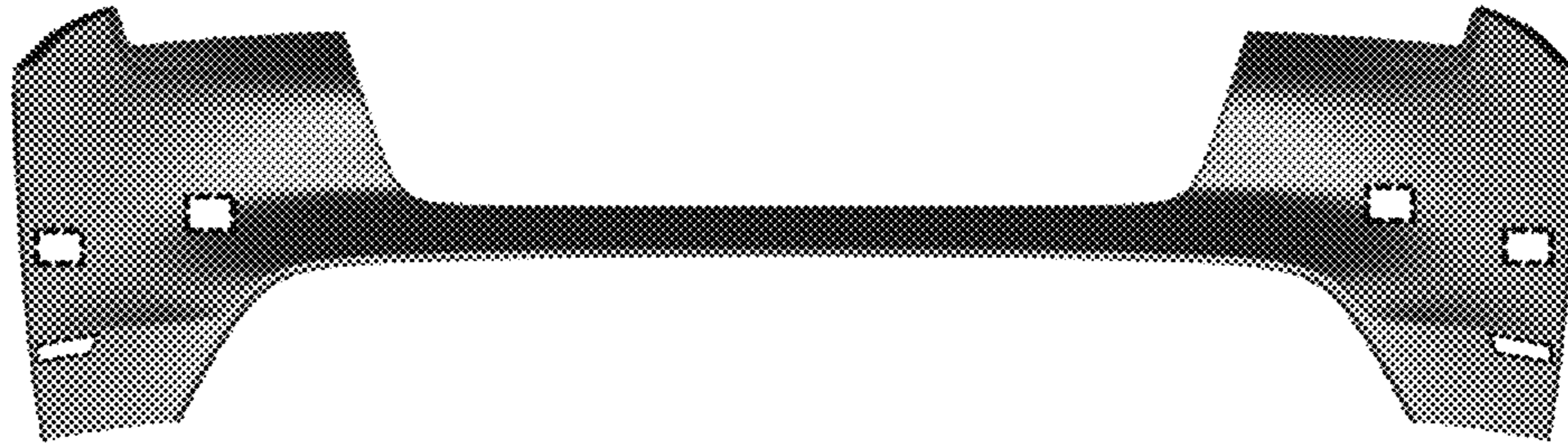


FIG. 2



FIG. 3

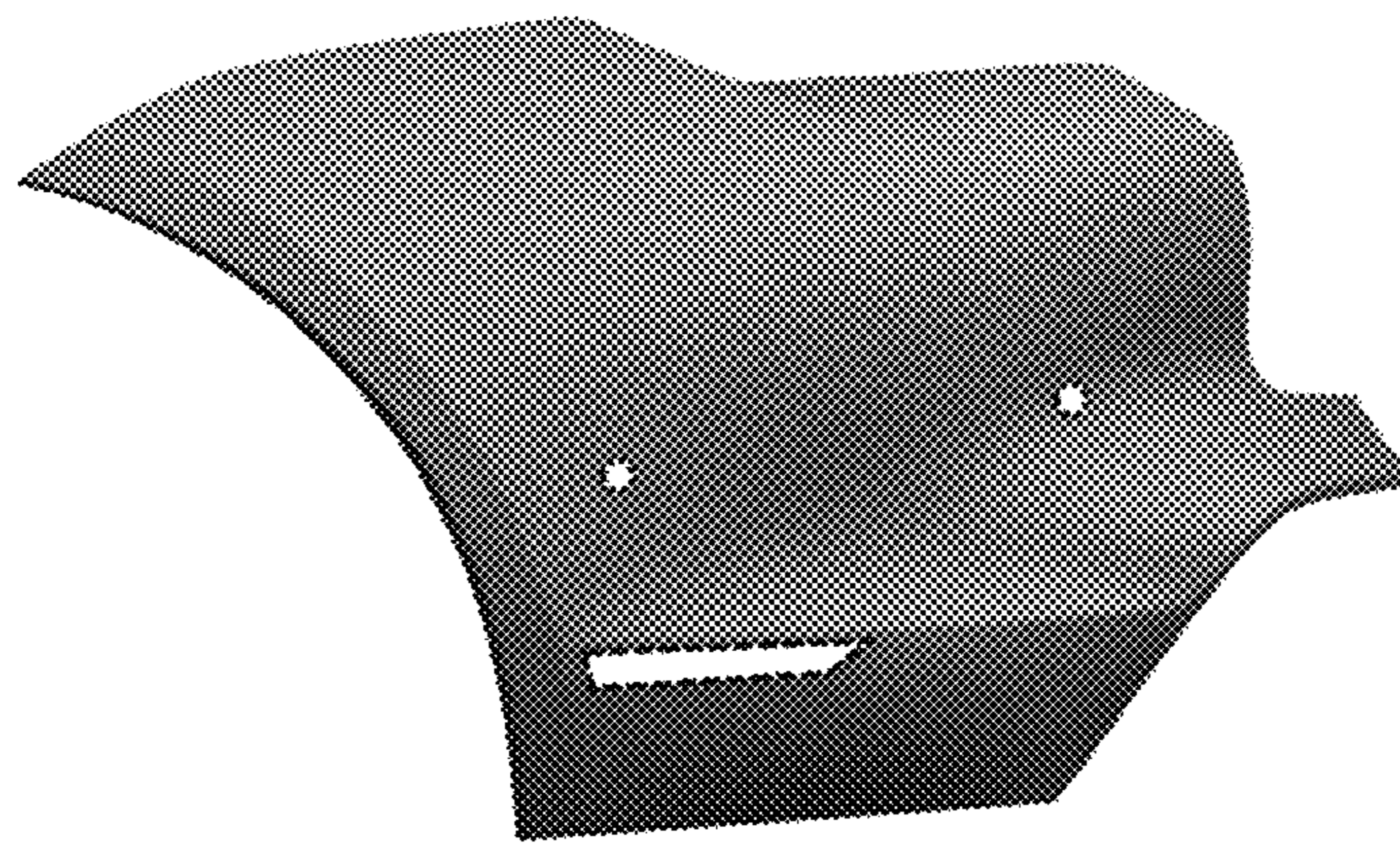


FIG. 4

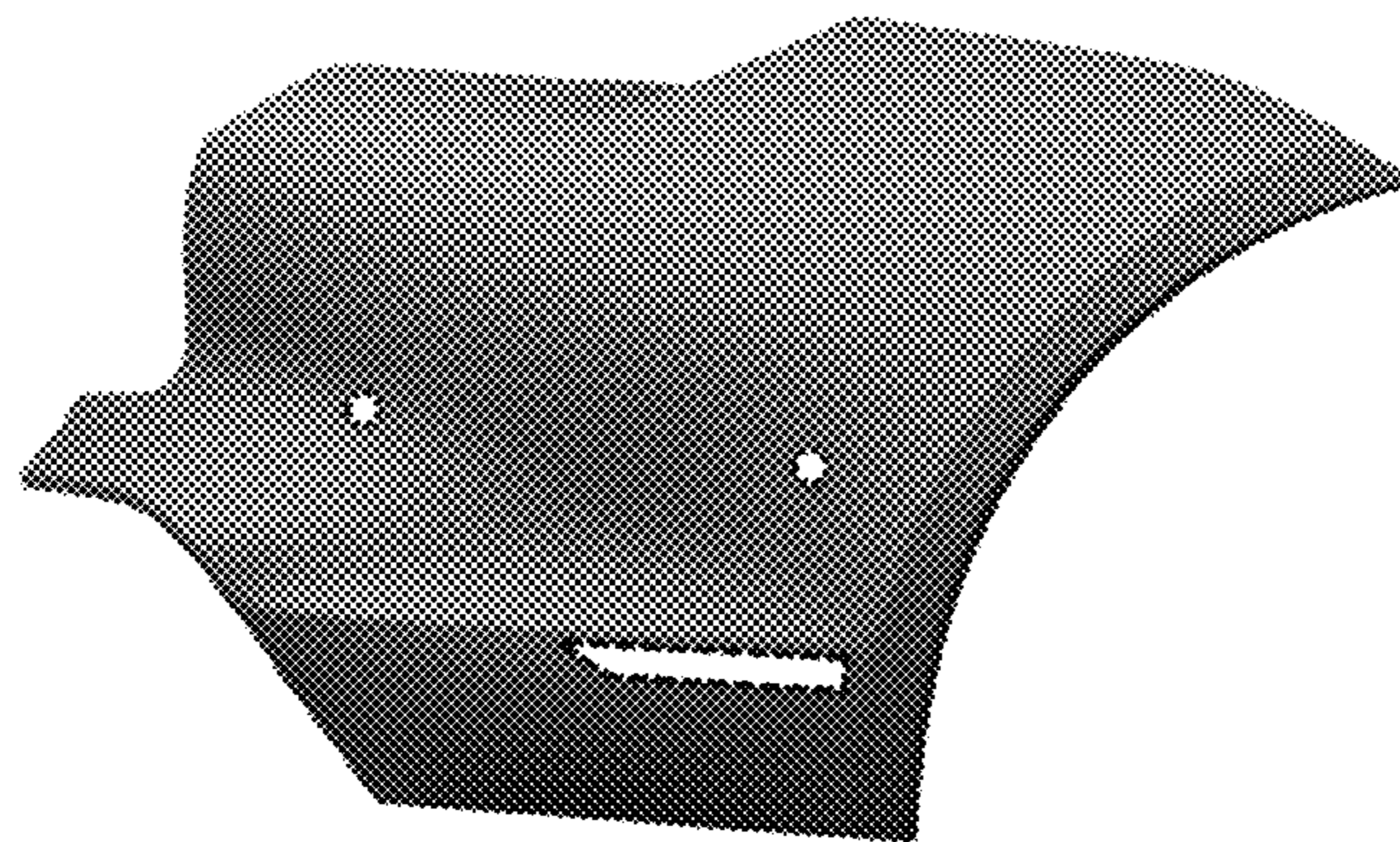


FIG. 5



FIG. 6

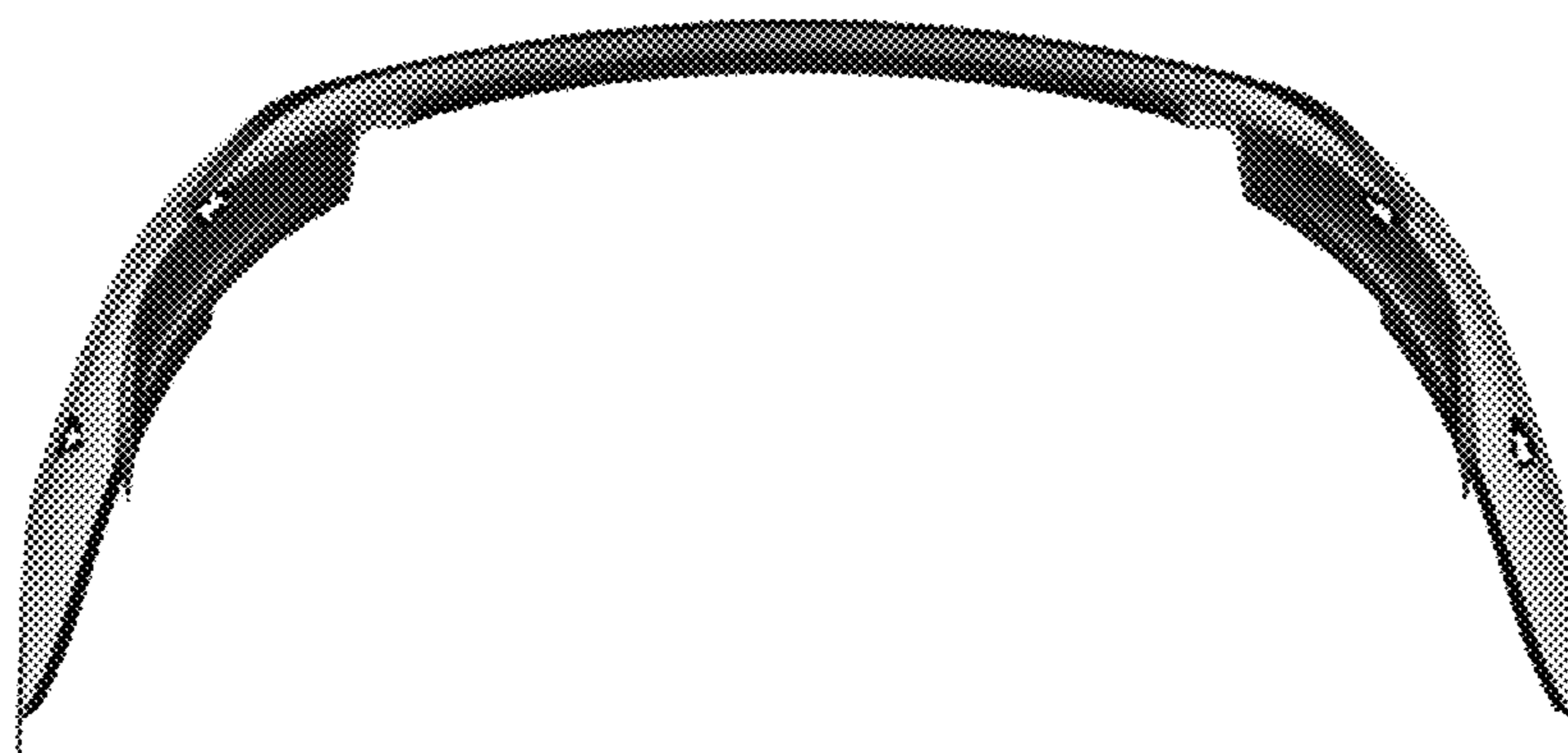


FIG. 7