



US00D865575S

(12) **United States Design Patent** (10) **Patent No.:** **US D865,575 S**
Lin (45) **Date of Patent:** **** Nov. 5, 2019**

(54) **WHEELED WALKER**
(71) Applicant: **Charming World Inc.**, Taipei (TW)
(72) Inventor: **Ching-Hsueh Lin**, Taipei (TW)
(73) Assignee: **Charming World Inc.**, Taipei (TW)
(**) Term: **15 Years**

D754,034 S * 4/2016 Wang D12/130
D754,568 S * 4/2016 Wang D12/130
9,381,132 B2 * 7/2016 Chen A61H 3/04
9,687,411 B2 * 6/2017 Chen A61H 3/04
9,763,849 B2 * 9/2017 Paterson A61H 3/04
9,839,571 B2 * 12/2017 Pan A47C 4/04
D807,793 S * 1/2018 Paterson D12/130
9,877,889 B2 * 1/2018 Chen A61H 3/04
9,907,723 B2 * 3/2018 Bisceglia A61H 3/04
9,968,509 B2 * 5/2018 Andersen A61H 3/04
9,974,708 B1 * 5/2018 Janeczek A61H 3/04

(21) Appl. No.: **29/588,621**
(22) Filed: **Dec. 21, 2016**
(51) **LOC (12) Cl.** **12-12**
(52) **U.S. Cl.**
USPC **D12/130**
(58) **Field of Classification Search**
USPC D12/128-133
CPC A61H 3/00; A61H 3/04; A61H
2003/001-007; A61H 2003/043; A61H
2003/046
See application file for complete search history.

* cited by examiner
Primary Examiner — Charles D Hanson
(74) *Attorney, Agent, or Firm* — DLA Piper LLP (US)

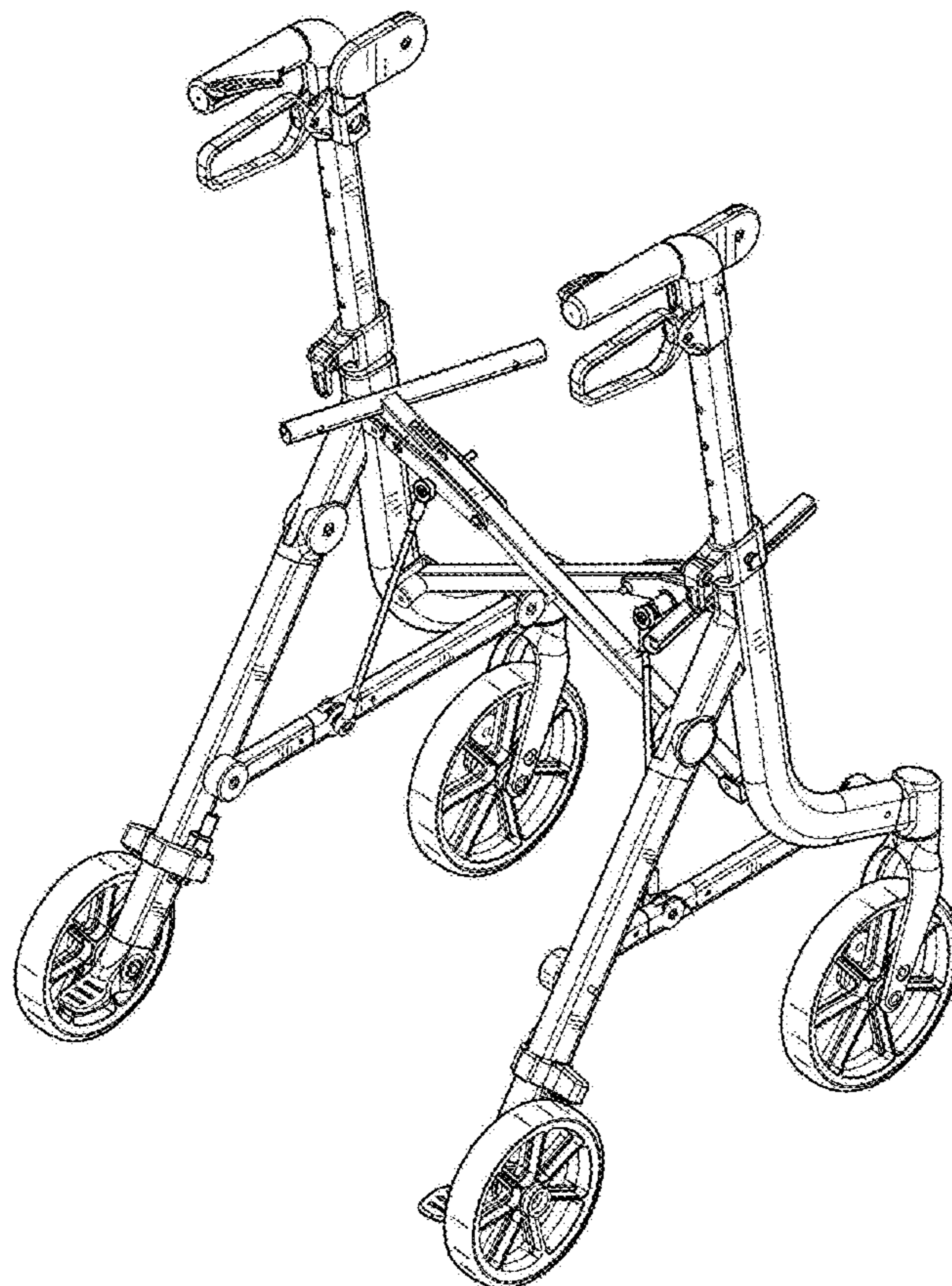
(56) **References Cited**
U.S. PATENT DOCUMENTS
D739,314 S * 9/2015 Wang D12/130
9,226,868 B2 * 1/2016 Andersen A61H 3/04

(57) **CLAIM**
The ornamental design for a wheeled walker, as shown and described.

DESCRIPTION

FIG. 1 is a perspective view of a design of the wheeled walker;
FIG. 2 is a front elevational view thereof;
FIG. 3 is a rear elevational view thereof;
FIG. 4 is a left side elevational view thereof;
FIG. 5 is a right side elevational view thereof;
FIG. 6 is a top plan view thereof; and,
FIG. 7 is a bottom plan view thereof.

1 Claim, 7 Drawing Sheets



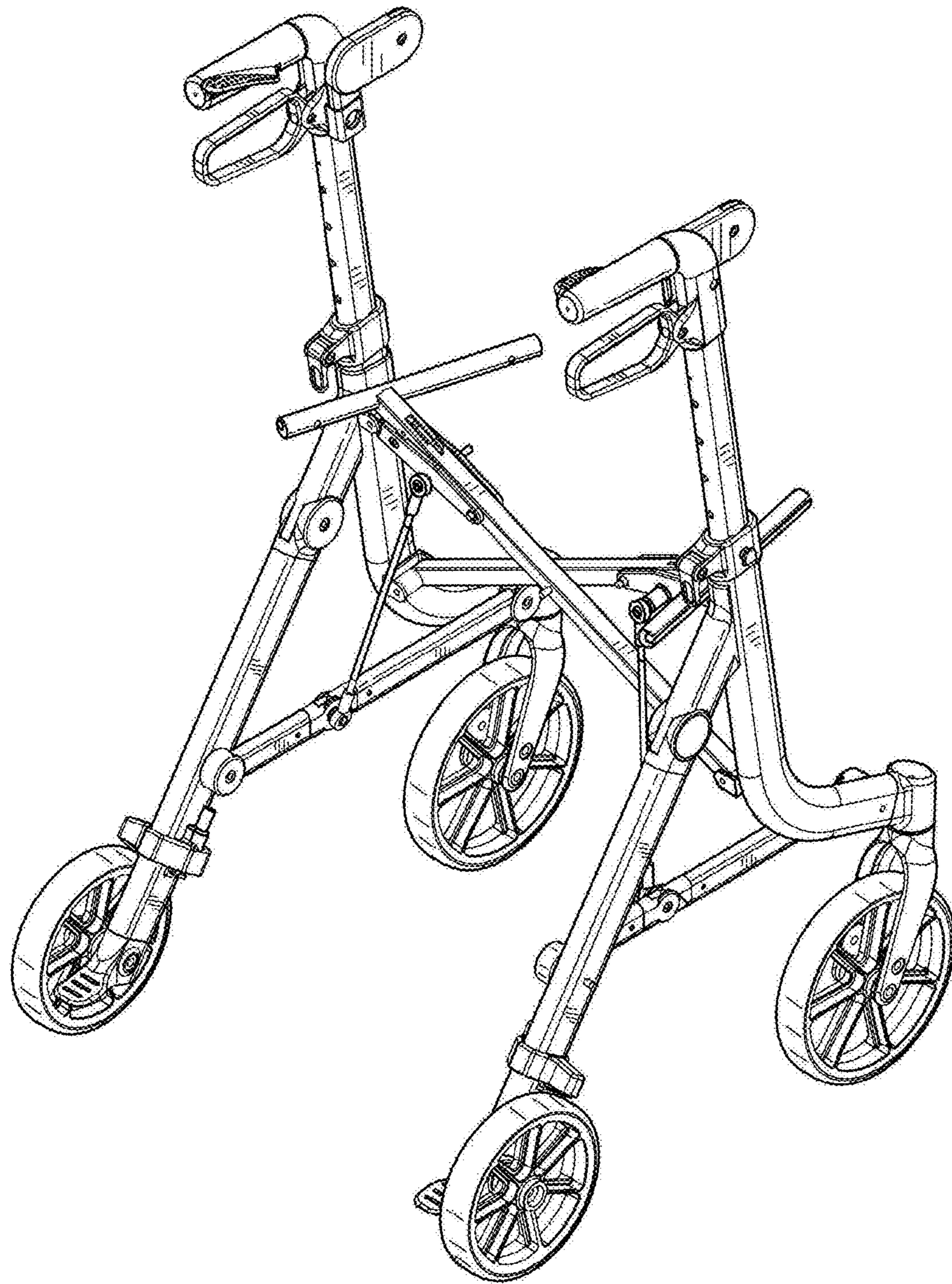


FIG. 1

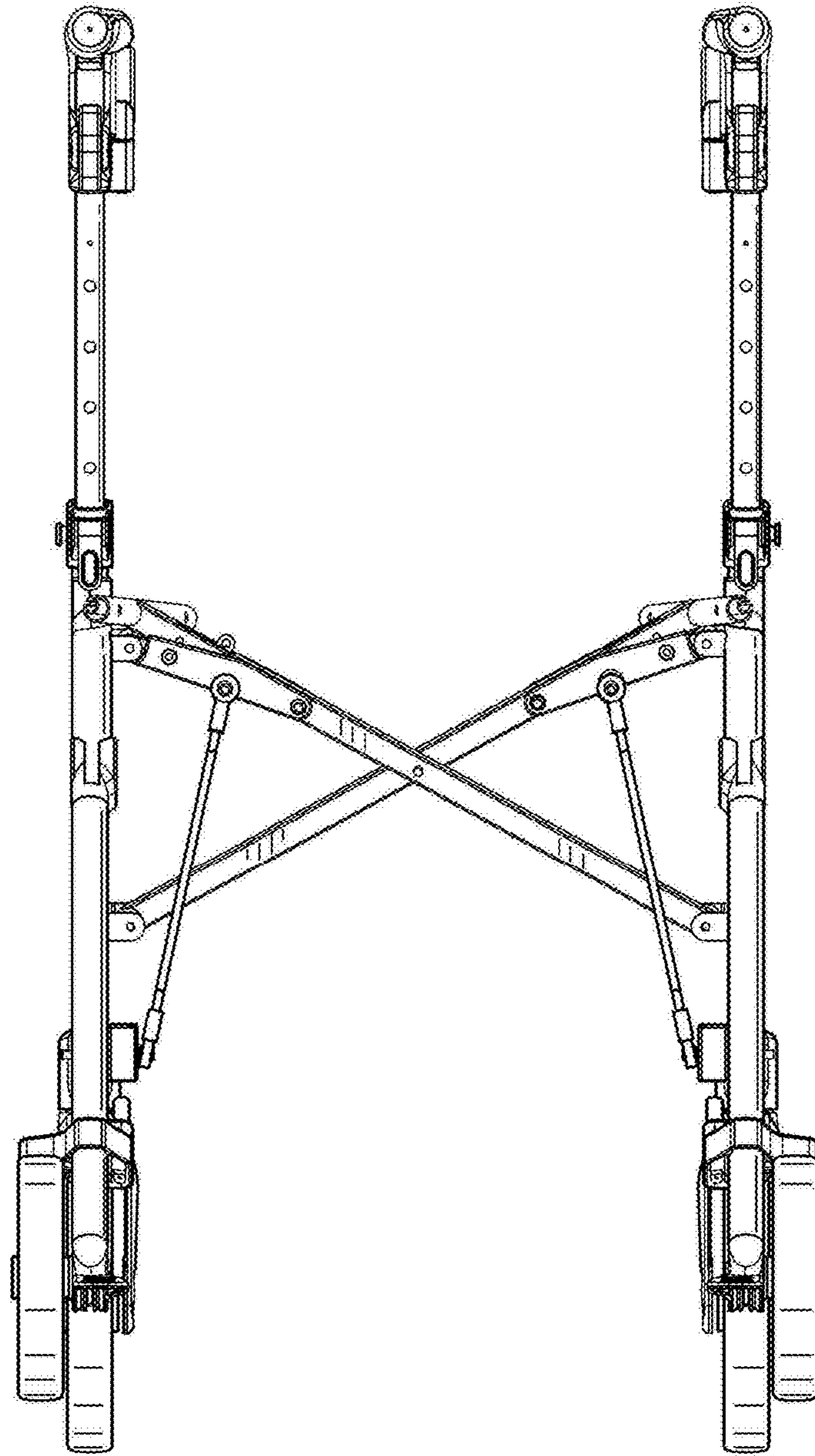


FIG. 2

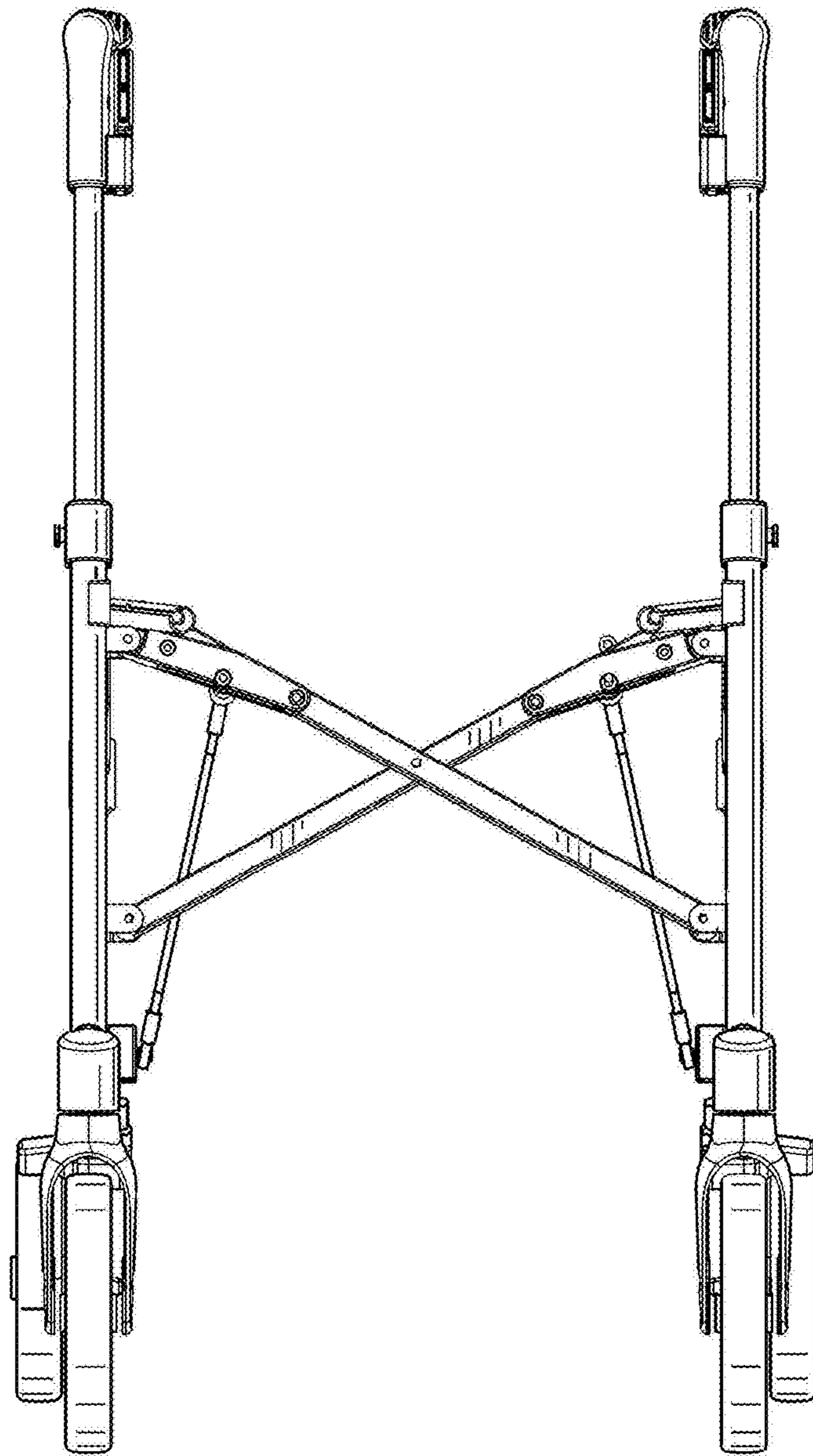


FIG. 3

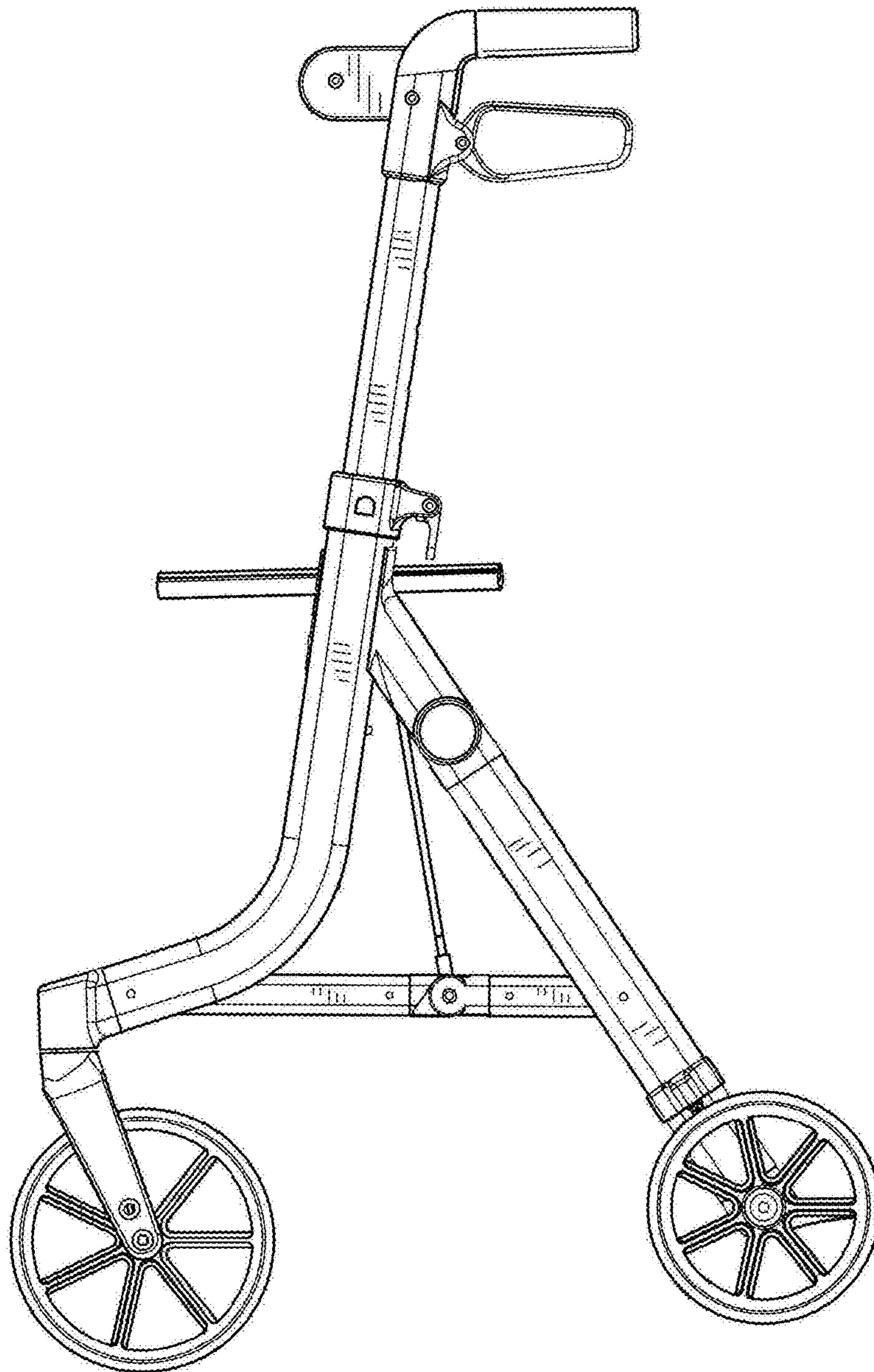


FIG. 4

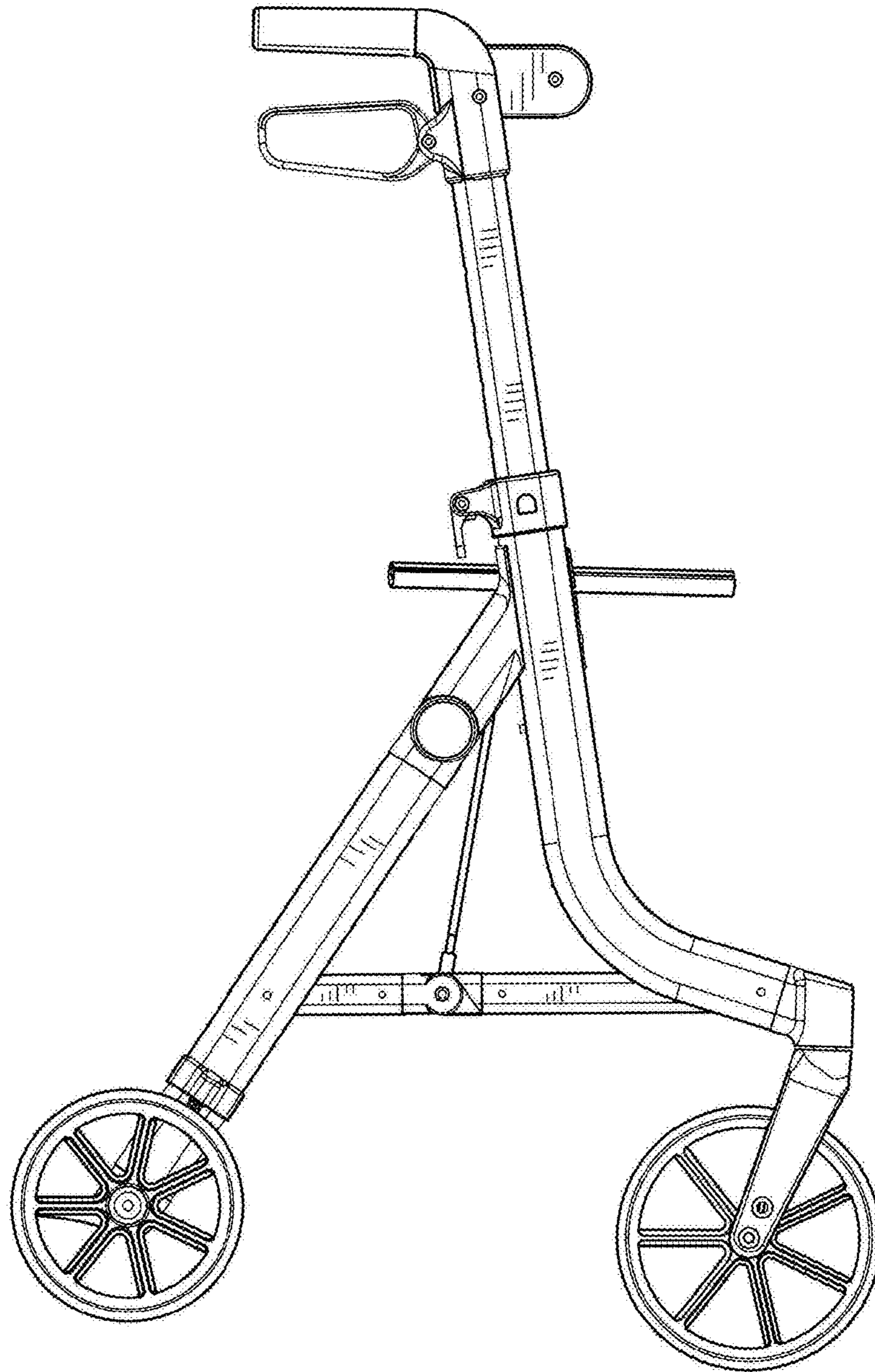


FIG. 5

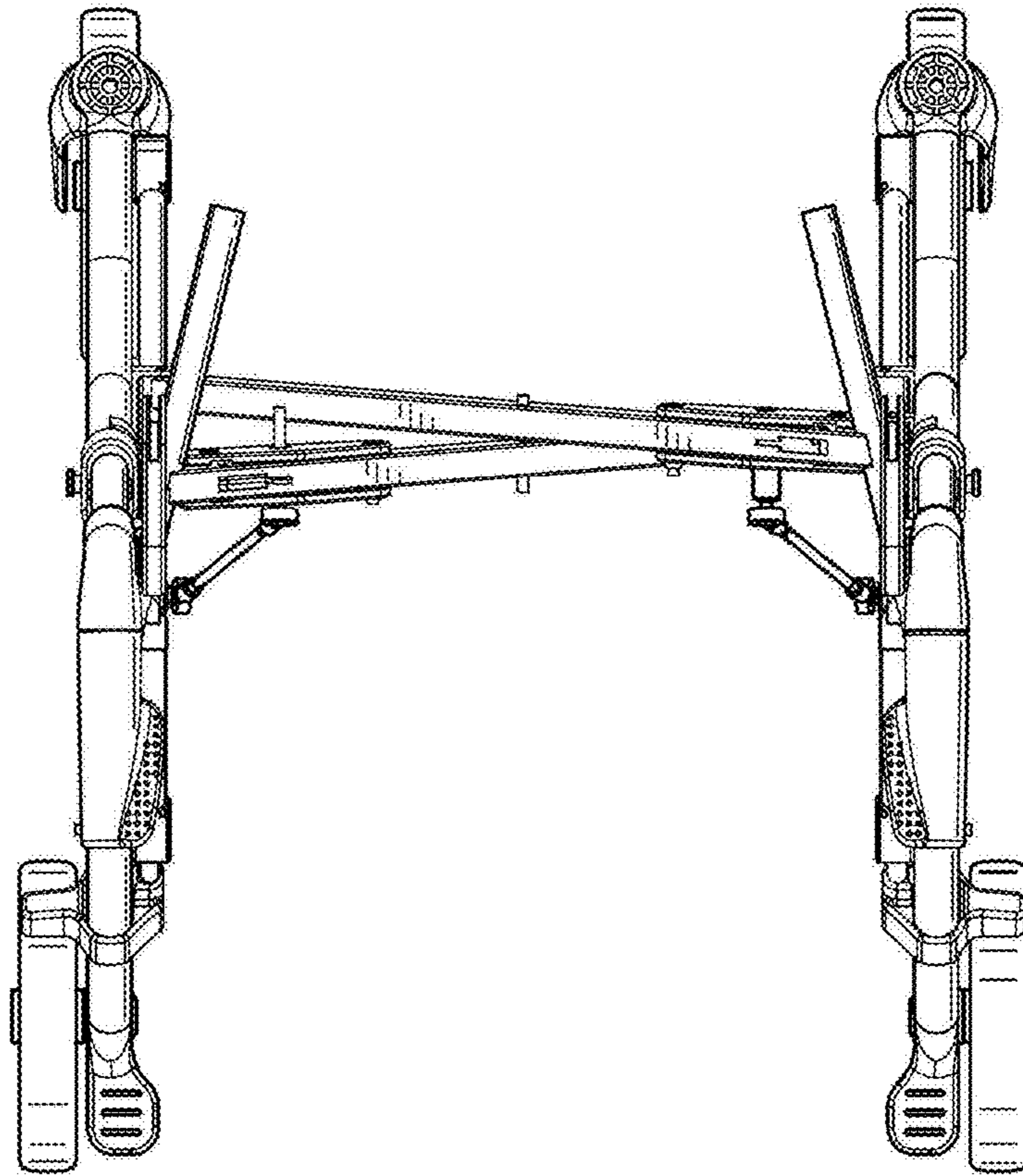


FIG. 6

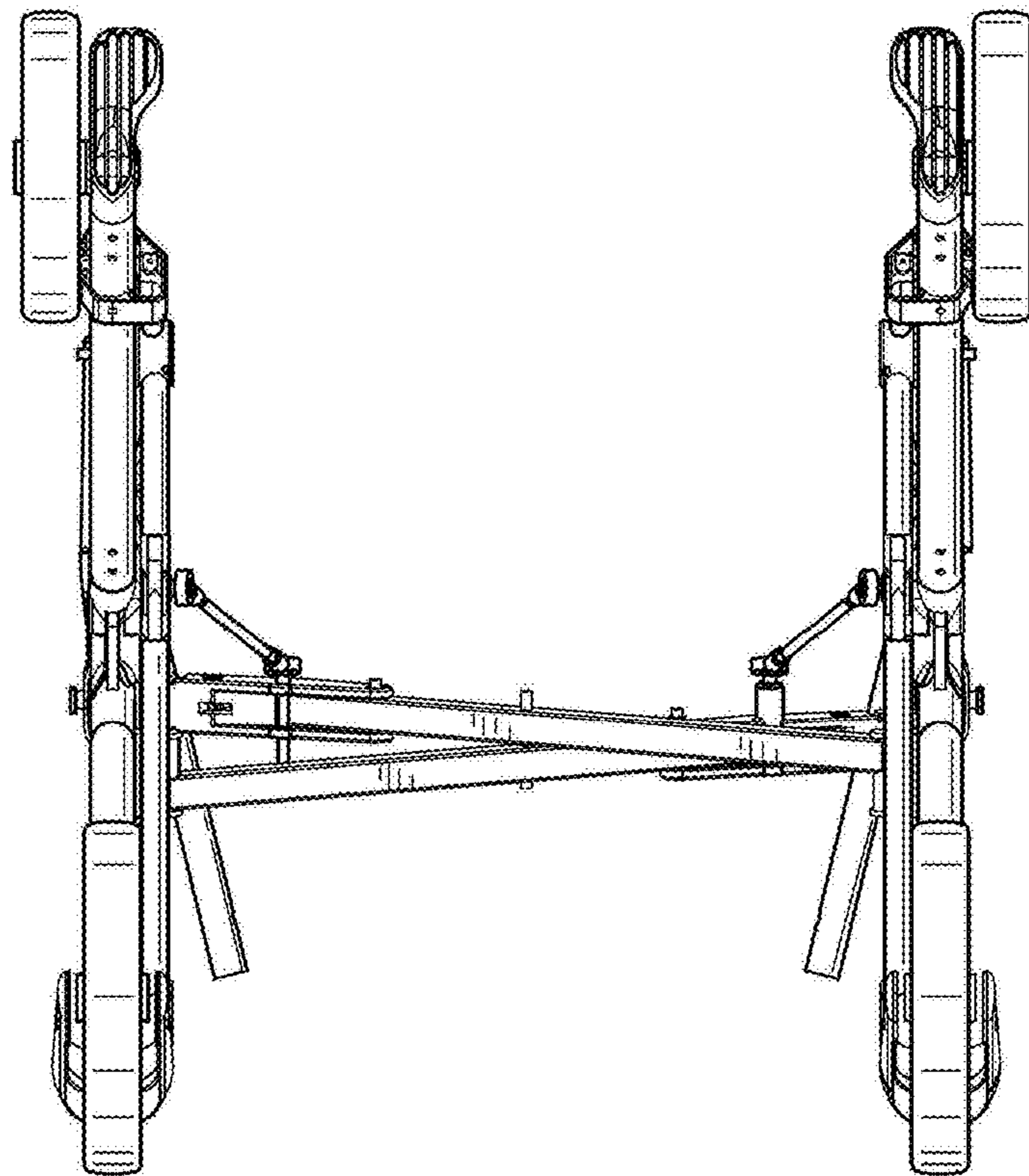


FIG. 7