



US00D865573S

(12) **United States Design Patent**  
**Honda**

(10) **Patent No.:** **US D865,573 S**

(45) **Date of Patent:** **\*\* Nov. 5, 2019**

- (54) **FOUR WHEELED VEHICLE**
- (71) Applicant: **Yamaha Hatsudoki Kabushiki Kaisha, Shizuoka-ken (JP)**
- (72) Inventor: **Munehisa Honda, Tokyo-to (JP)**
- (73) Assignee: **YAMAHA HATSUDOKI KABUSHIKI KAISHA (JP)**
- (\*\*) Term: **15 Years**
- (21) Appl. No.: **29/641,152**
- (22) Filed: **Mar. 20, 2018**
- (51) **LOC (12) Cl.** ..... **12-11**
- (52) **U.S. Cl.**  
USPC ..... **D12/107**
- (58) **Field of Classification Search**  
USPC ..... D12/3, 86, 87, 107, 110  
CPC ..... B60K 5/12; B60K 13/04; B60K 17/354  
See application file for complete search history.

D531,088 S *	10/2006	Lin	.....	D12/107
D532,339 S *	11/2006	Hishiki	.....	D12/107
D539,705 S *	4/2007	Ichikawa	.....	D12/107
D542,186 S *	5/2007	Lai	.....	D12/107
D542,188 S *	5/2007	Miwa	.....	D12/107
D585,792 S *	2/2009	Chao	.....	D12/107
D599,251 S *	9/2009	Yin	.....	D12/107
D609,136 S *	2/2010	Renchuan	.....	D12/107
D620,399 S *	7/2010	Wu	.....	D12/107
D640,604 S *	6/2011	Lai	.....	D12/107
D640,605 S *	6/2011	Lai	.....	D12/107
D657,721 S *	4/2012	Miyanishi	.....	D12/107
D668,184 S *	10/2012	Tashiro	.....	D12/107
D671,037 S *	11/2012	Wu	.....	D12/107
D674,728 S *	1/2013	Matsumura	.....	D12/107
D680,468 S *	4/2013	Li	.....	D12/107
D680,469 S *	4/2013	Li	.....	D12/107
D691,519 S *	10/2013	Fisher	.....	D12/107
D694,671 S *	12/2013	Lai	.....	D12/107
D721,300 S *	1/2015	Li	.....	D12/107
D761,698 S *	7/2016	Umemoto	.....	D12/107
D774,957 S *	12/2016	Umemoto	.....	D12/107

(Continued)

Primary Examiner — Darlington Ly  
(74) Attorney, Agent, or Firm — Ostrolenk Faber LLP

(56) **References Cited**

**U.S. PATENT DOCUMENTS**

D374,416 S *	10/1996	Miyamoto	.....	D12/107
D383,095 S *	9/1997	Miyamoto	.....	D12/107
D421,935 S *	3/2000	Fujieda	.....	D12/107
D428,363 S *	7/2000	Sugimoto	.....	D12/107
D436,559 S *	1/2001	Fujieda	.....	D12/107
D496,308 S *	9/2004	Wu	.....	D12/107
D516,467 S *	3/2006	Wu	.....	D12/107
D517,951 S *	3/2006	Luh	.....	D12/107
D517,952 S *	3/2006	Luh	.....	D12/107
D520,912 S *	5/2006	Knight	.....	D12/107
D520,914 S *	5/2006	Luh	.....	D12/107
D522,924 S *	6/2006	Yokoyama	.....	D12/107
D523,782 S *	6/2006	Lin	.....	D12/107
D529,414 S *	10/2006	Wu	.....	D12/107
D529,840 S *	10/2006	Sugawara	.....	D12/107

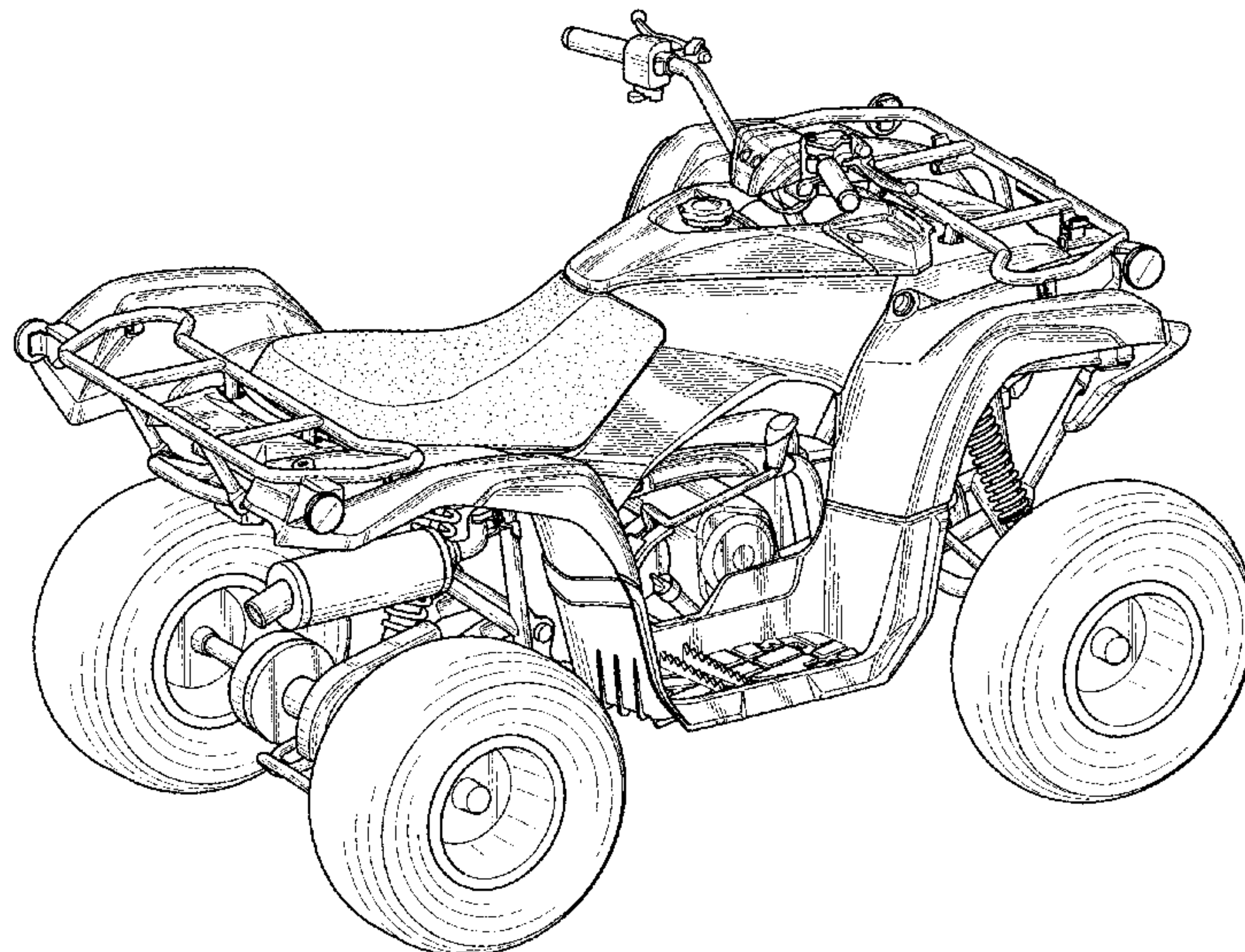
(57) **CLAIM**

The ornamental design for a four wheeled vehicle, as shown and described.

**DESCRIPTION**

FIG. 1 is a top, front, and left side perspective view of a four wheel vehicle showing my new design;  
FIG. 2 is a top, rear and right side perspective view thereof;  
FIG. 3 is a front elevation view thereof;  
FIG. 4 is a rear elevation view thereof;  
FIG. 5 is a right side elevation view thereof;  
FIG. 6 is a left side elevation view thereof; and,  
FIG. 7 is a top plan view thereof.

**1 Claim, 7 Drawing Sheets**



(56)

**References Cited**

U.S. PATENT DOCUMENTS

9,649,928 B2 \* 5/2017 Danielson ..... B60K 5/02  
9,873,316 B2 \* 1/2018 Lovold ..... B60K 5/12

\* cited by examiner



Fig.1

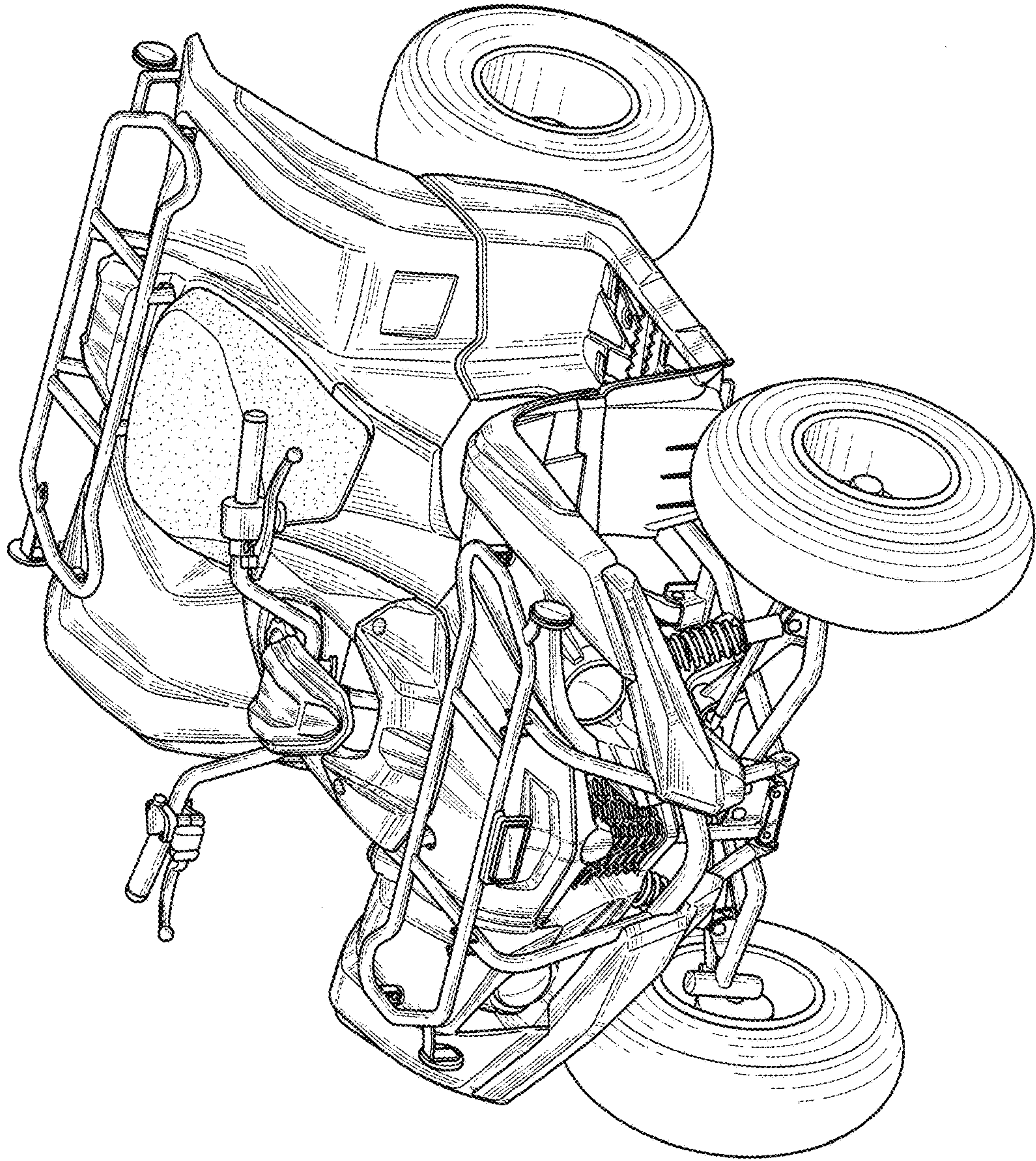
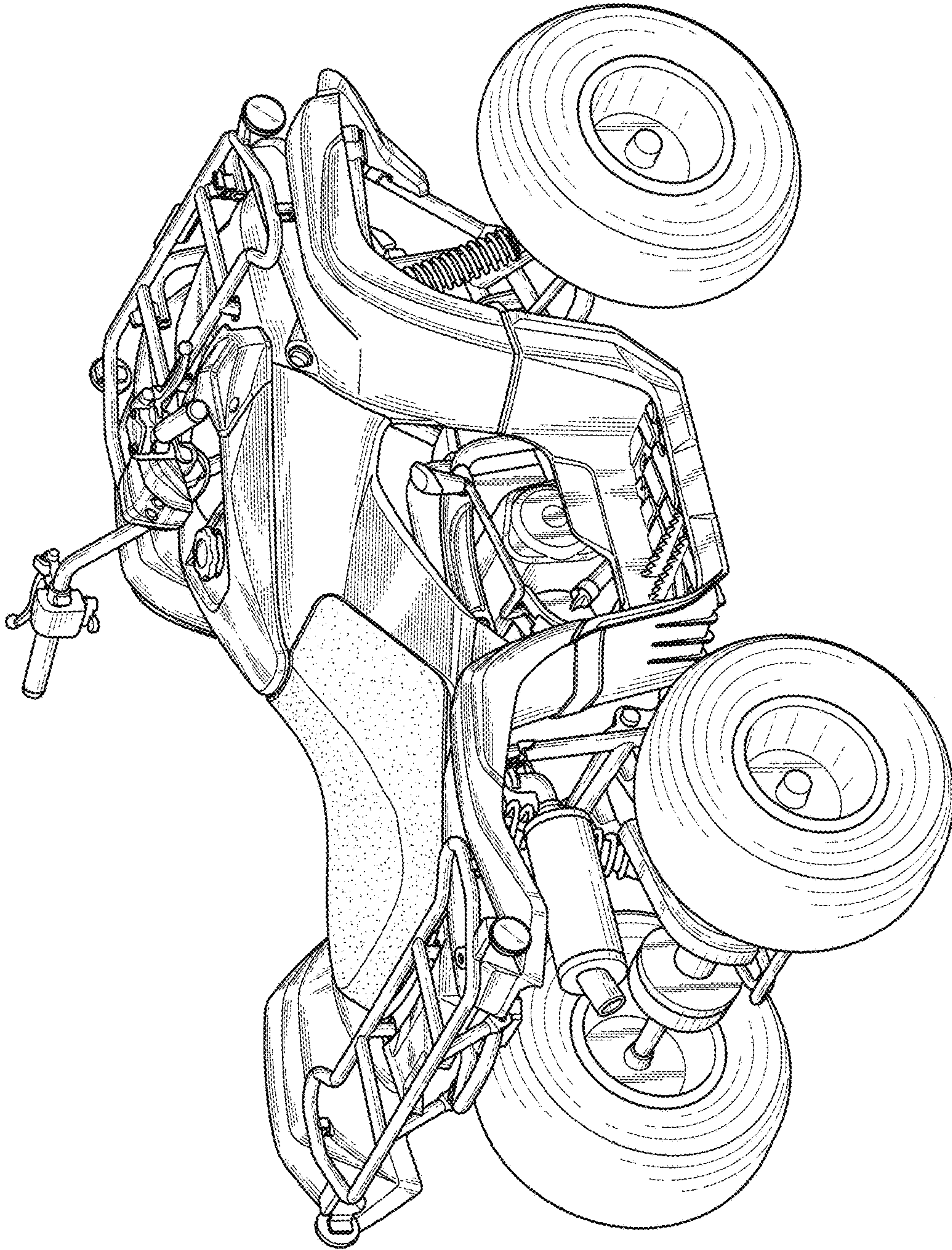




Fig.2



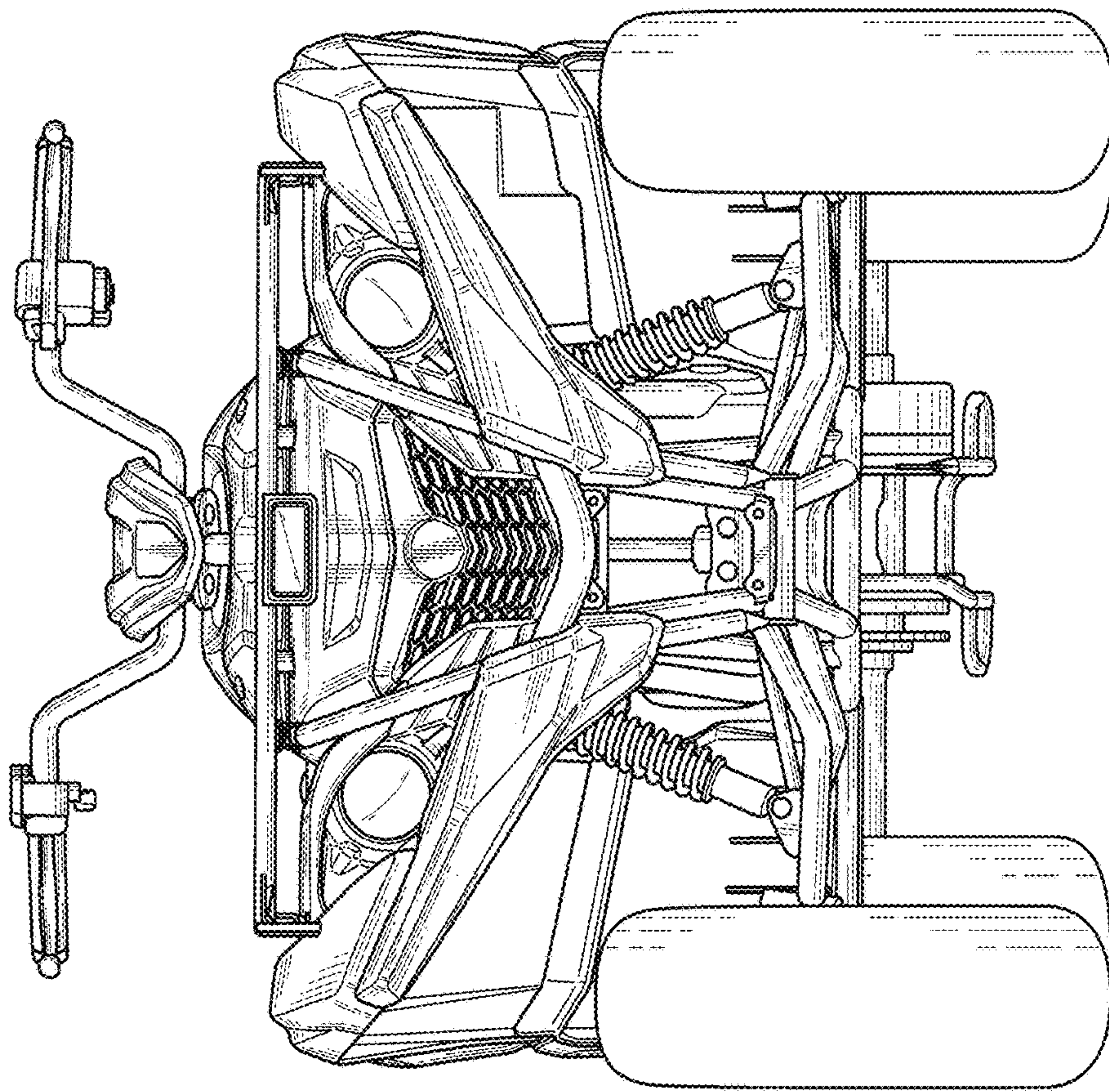


Fig.3



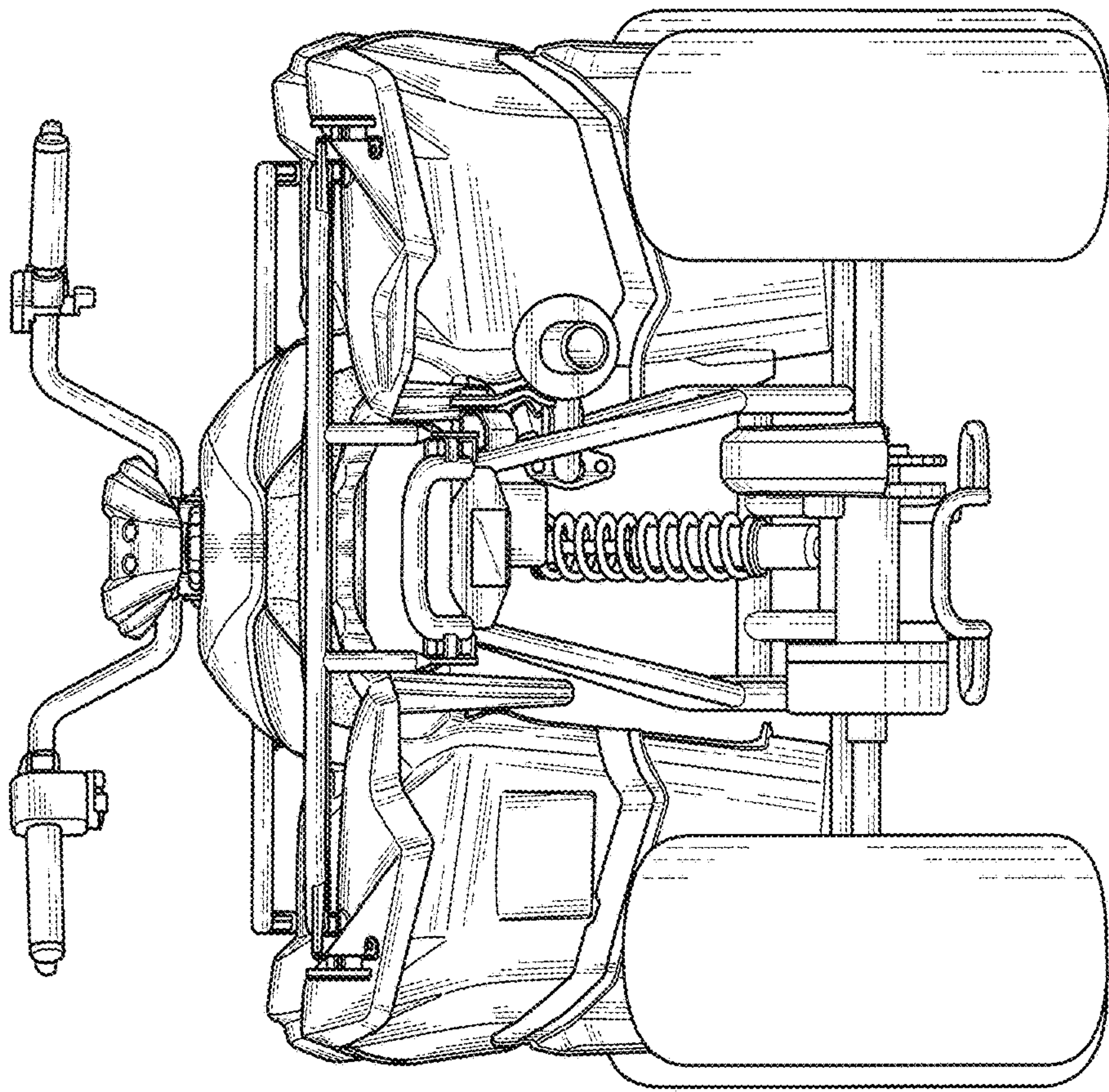


Fig.4

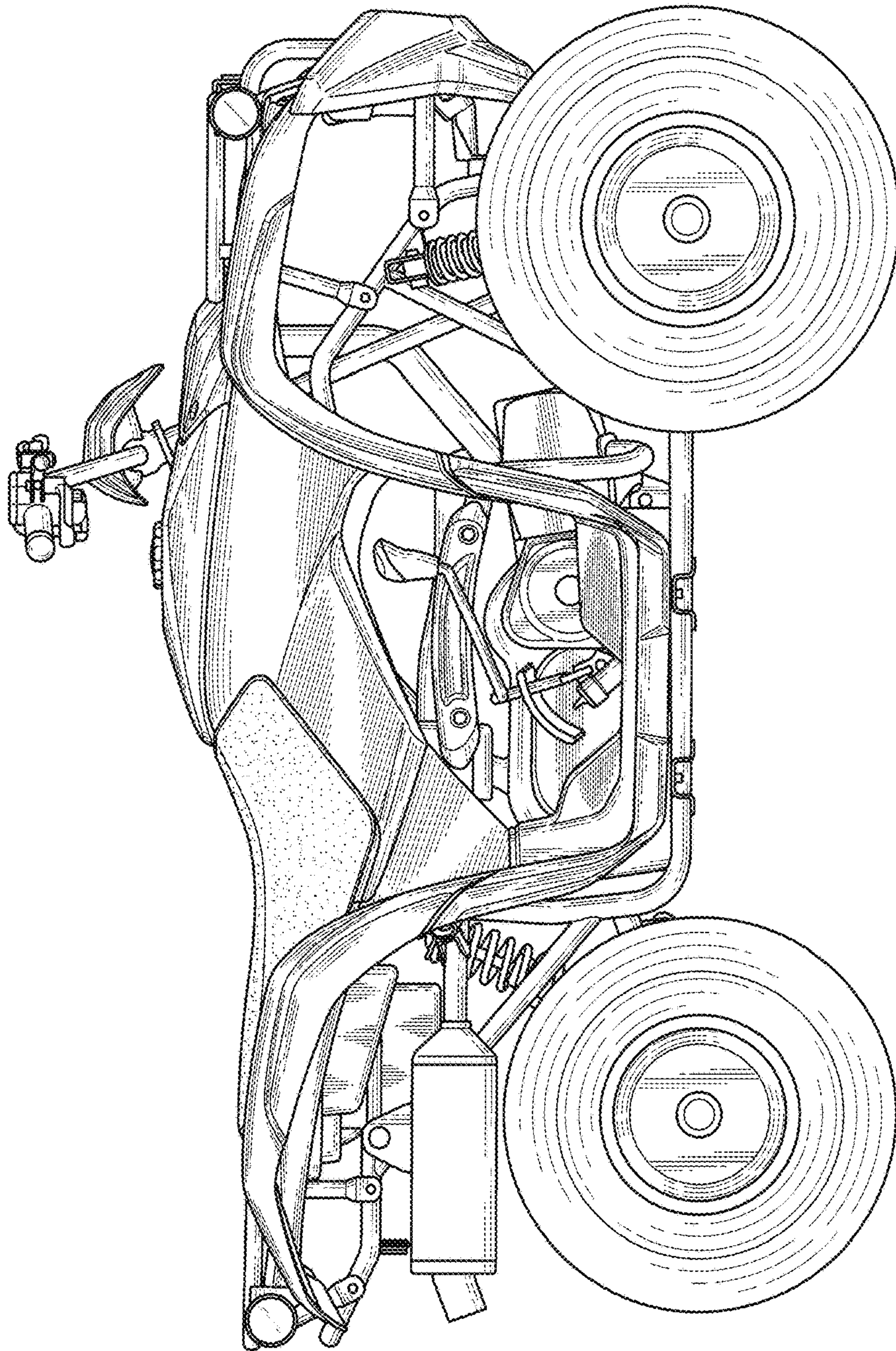


Fig.5



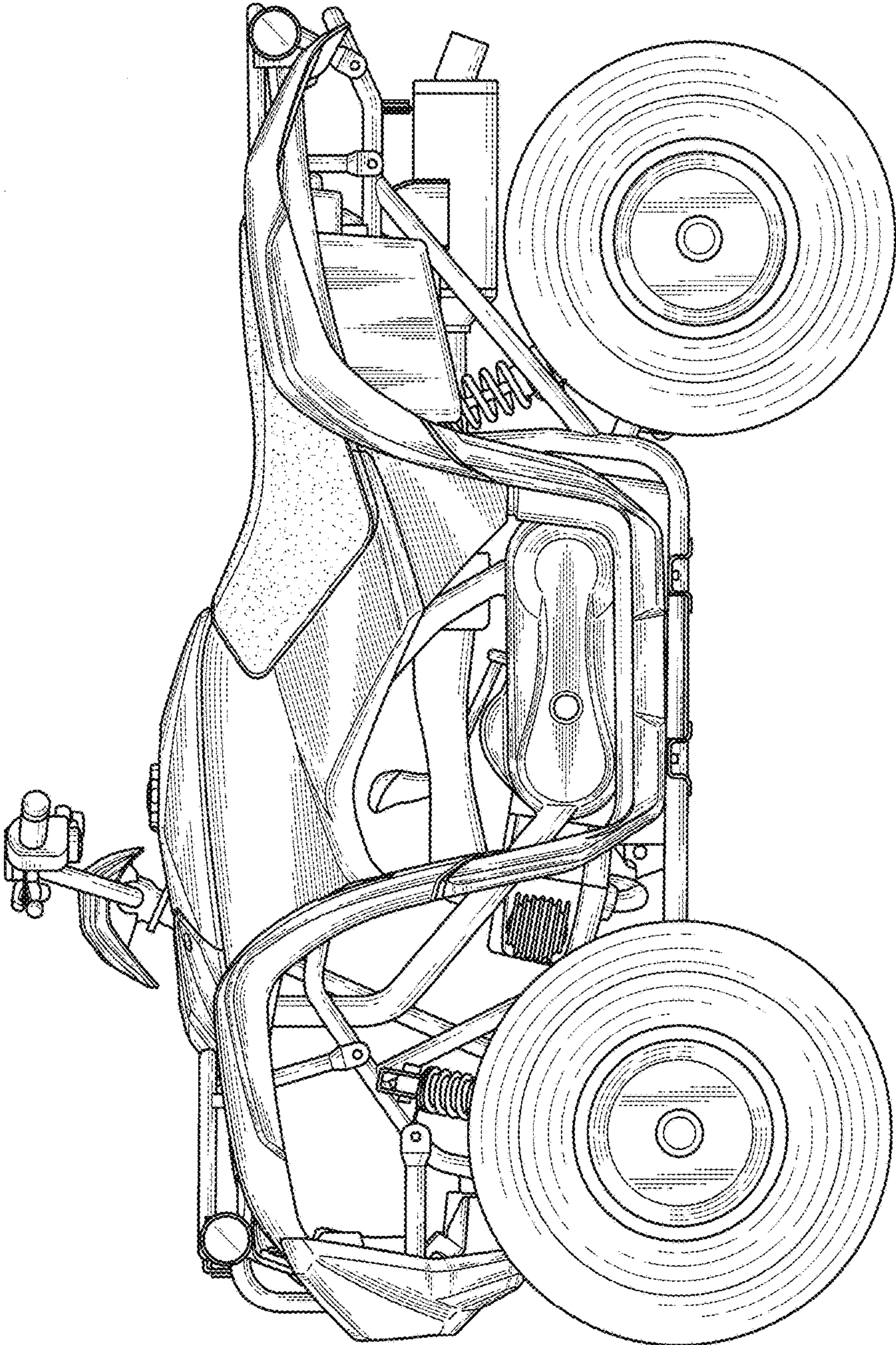


Fig.6



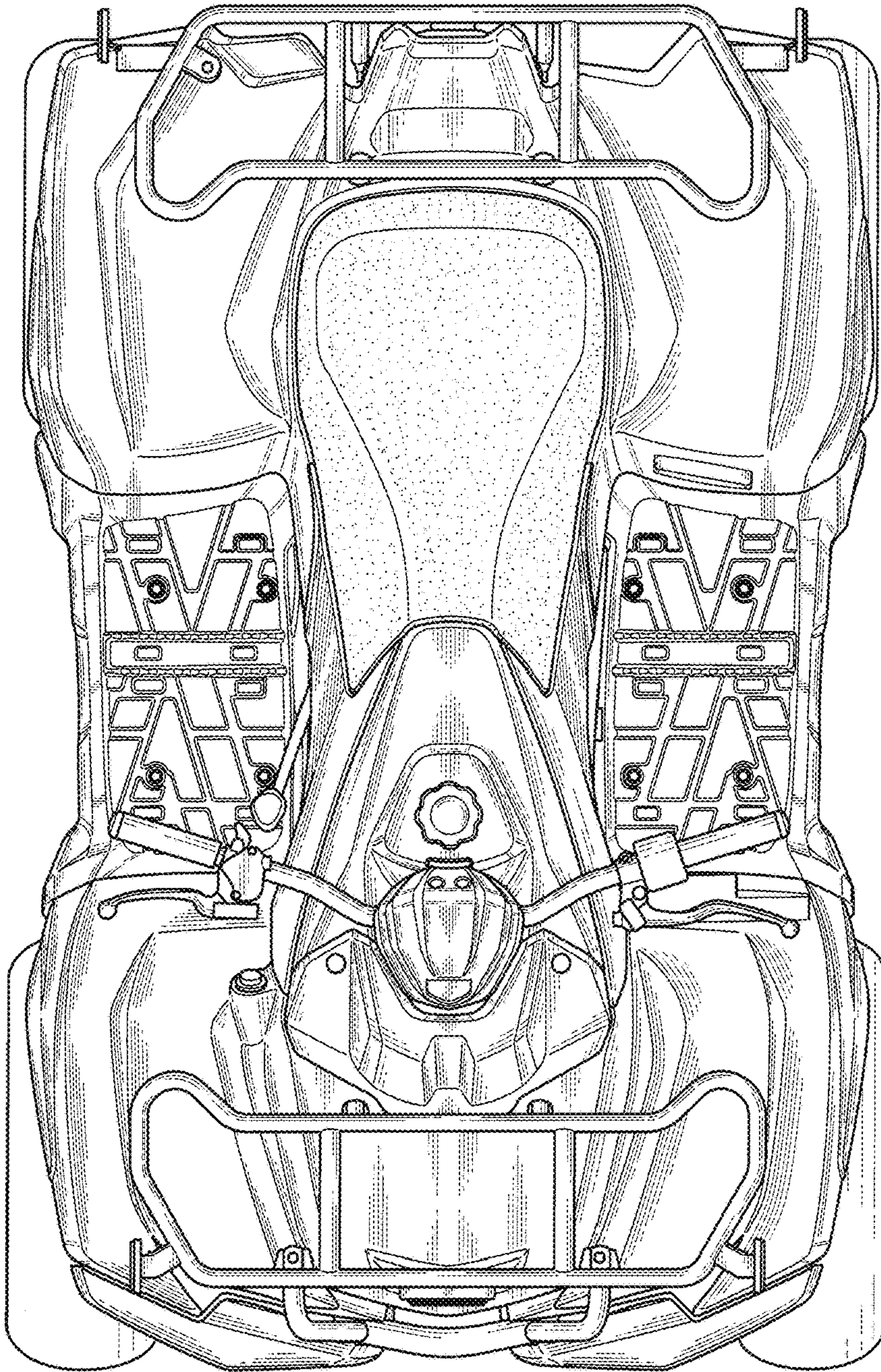


Fig.7