



US00D865572S

(12) **United States Design Patent** (10) **Patent No.:** **US D865,572 S**
Davidson et al. (45) **Date of Patent:** **** Nov. 5, 2019**

(54) **SIDE-PANEL** 1,560,802 A 11/1925 Julstedt
1,564,257 A 12/1925 Lippman
(71) Applicant: **AWOL Outdoors, Inc.**, Somerset, WI 1,568,895 A 1/1926 Lyons
(US) (Continued)

(72) Inventors: **Scott Alan Davidson**, Spring Grove, IL
(US); **Cedar Jon Vandergon**, New
Brighton, MN (US); **Kevin Alan**
Fleischhacker, Mound, MN (US)

FOREIGN PATENT DOCUMENTS

CH 635393 3/1983
DE 3824142 1/1990
(Continued)

(73) Assignee: **AWOL OUTDOORS, INC.**, Somerset,
WI (US)

OTHER PUBLICATIONS

(**) Term: **15 Years**

Canadian Office Action dated Jul. 5, 2018, for corresponding
Canadian Patent Application No. 2,794,484, filed May 3, 2013.

(21) Appl. No.: **29/614,014**

(Continued)

(22) Filed: **Aug. 15, 2017**

Primary Examiner — Katrina A Betton

(74) *Attorney, Agent, or Firm* — Steven M. Koehler;
Westman, Champlin & Koehler, P.A.

Related U.S. Application Data

(60) Continuation of application No. 14/961,450, filed on
Dec. 7, 2015, now Pat. No. 9,926,026, which is a
division of application No. 13/668,530, filed on Nov.
5, 2012, now Pat. No. 9,205,881.

(57) **CLAIM**

The ornamental design for a side-panel, as shown and
described.

(51) **LOC (12) Cl.** **12-16**

(52) **U.S. Cl.**
USPC **D12/106**

(58) **Field of Classification Search**
USPC D12/100–106, 19, 129, 111–112;
D21/425, 435; D34/21–26, 12, 16–19
CPC .. B62D 35/00; B62D 33/077; B62D 33/0612;
B62D 24/04; B60P 3/38; B60P 3/10;
B60P 3/1033; B60P 3/0257; E01F 15/14
See application file for complete search history.

DESCRIPTION

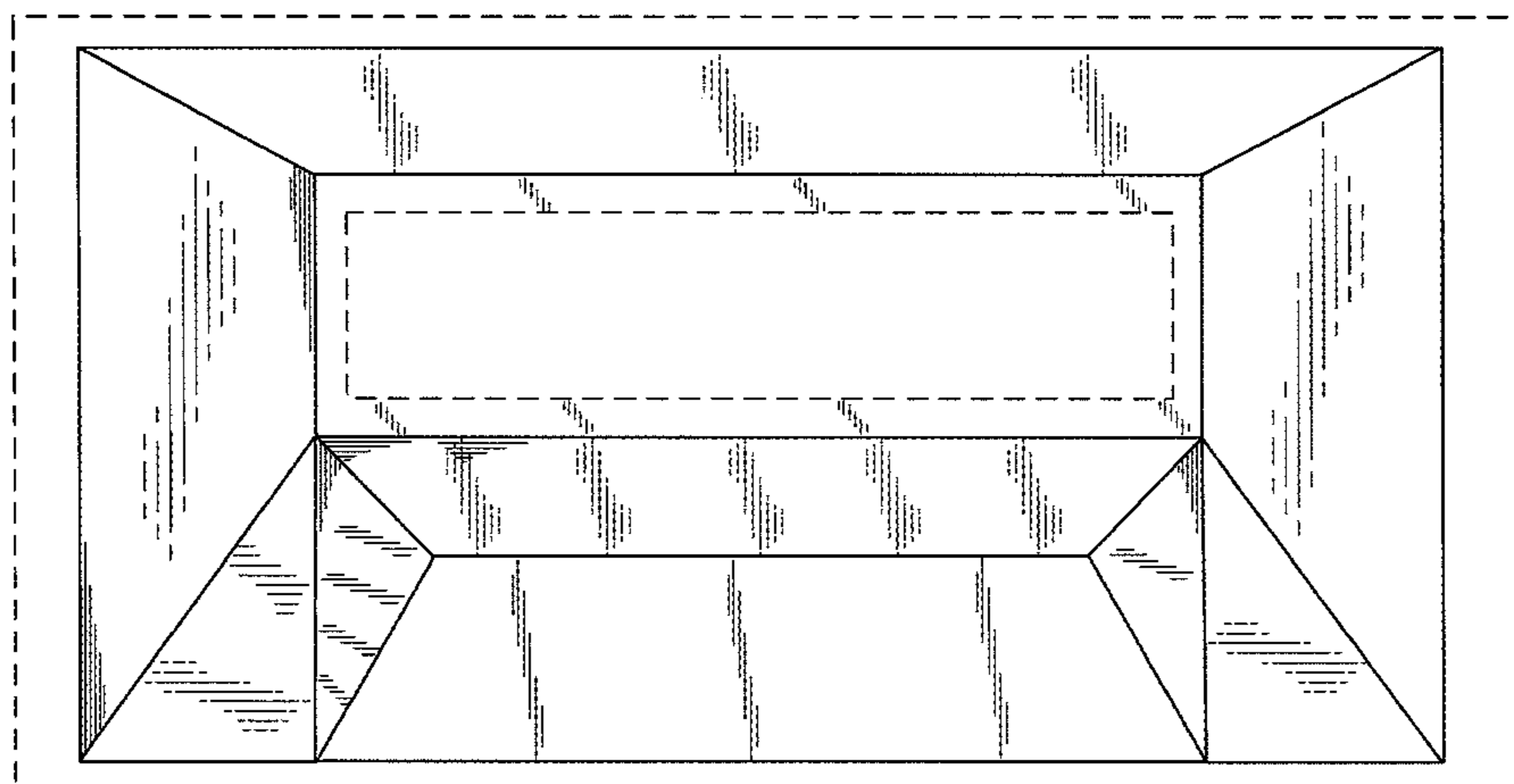
FIG. 1 is a perspective view of the side-panel.
FIG. 2 is a front elevation view of the side-panel.
FIG. 3 is a top plan view of the side-panel.
FIG. 4 is a bottom view of the side-panel.
FIG. 5 is a left side view of the side-panel; and,
FIG. 6 is a right side view of the side-panel.
The broken lines of FIGS. 1-6 are included for the purpose
of illustrating environmental structure and form no part of
the claimed design. The rear-elevational views form no part
of the claimed design.
The broken lines immediately adjacent the shaded areas
having alternating long and short dashes represent the
bounds of the claimed design where all other broken lines
are directed to environment and are for illustrative purposes
only.

(56) **References Cited**

U.S. PATENT DOCUMENTS

243,216 A 6/1881 Conner
1,216,986 A 2/1917 Habig
1,276,388 A 8/1918 Marx

1 Claim, 4 Drawing Sheets



(56)

References Cited

U.S. PATENT DOCUMENTS

1,595,541 A 8/1926 Borah
 1,596,924 A 8/1926 Curtis
 2,248,080 A 9/1939 Hathaway
 2,923,305 A 2/1960 Cline
 2,939,691 A 6/1960 Lewis
 2,986,150 A 5/1961 Harold
 3,239,274 A 3/1966 Weiss
 3,288,520 A 11/1966 Krutzikowsky
 3,371,954 A 3/1968 Larsson
 3,394,961 A 7/1968 Gedeon
 3,516,708 A 6/1970 Cox
 3,556,581 A 1/1971 Devanne
 3,558,181 A 1/1971 Peterson
 3,652,122 A 3/1972 Beauregard
 3,670,747 A 6/1972 Pohl
 3,698,734 A 10/1972 Drake
 3,715,141 A 2/1973 Cary
 3,744,191 A 7/1973 Bird
 3,811,454 A 5/1974 Huddle
 3,875,623 A 4/1975 Johnston
 3,970,096 A 7/1976 Nicolai
 D243,216 S 2/1977 Conner
 4,034,772 A 7/1977 Huddle
 4,067,347 A 1/1978 Lipinski
 4,102,352 A 7/1978 Kirkham
 4,119,224 A 10/1978 Moody
 4,201,359 A 5/1980 Baslow
 4,221,398 A 9/1980 Pautrat
 4,240,677 A 12/1980 Payne
 4,358,133 A 11/1982 Stucky
 4,452,294 A 6/1984 Fukuchi
 4,531,847 A 7/1985 F'Geppert
 4,577,876 A 3/1986 Harris
 4,719,934 A 1/1988 Mydans
 4,772,038 A 9/1988 MacDonald
 4,817,655 A 4/1989 Brooks
 4,826,235 A 5/1989 Zwick
 4,878,322 A 11/1989 Ikeda
 4,942,895 A 7/1990 Lynch
 D310,806 S 9/1990 Hertzberg et al.
 D311,165 S 10/1990 Moore
 4,976,074 A 12/1990 Delamare
 D318,446 S 7/1991 Magyar et al.
 5,080,423 A 1/1992 Merlot
 5,107,881 A 4/1992 Feldman
 D327,463 S 6/1992 Williams
 5,118,245 A 6/1992 Dunkel
 D333,289 S 2/1993 Shirlin et al.
 5,234,011 A 8/1993 Lynch
 5,477,876 A 12/1995 Moss
 5,487,692 A 1/1996 Mowrer
 5,526,610 A 6/1996 Delamare
 5,613,543 A 3/1997 Walton
 5,784,842 A 7/1998 Wackerbauer
 5,829,820 A 11/1998 Cowsert
 5,853,016 A 12/1998 Cowan
 5,953,875 A 9/1999 Harkins
 6,290,450 B1 9/2001 Humphries
 6,345,638 B1 2/2002 Warner
 6,474,022 B1 11/2002 Double
 6,499,497 B1 12/2002 Swetish
 6,502,593 B1 1/2003 Stafford
 6,530,165 B2 3/2003 Griesemer
 6,550,802 B2 4/2003 Sheehan
 6,564,513 B2 5/2003 Henbid

6,679,542 B1 1/2004 Semotuk
 6,746,040 B2 6/2004 Bordeleau
 6,832,571 B2 12/2004 Eagles
 7,017,975 B2 3/2006 Parmer
 7,052,065 B2 5/2006 Rasumussen
 7,073,816 B1 7/2006 Larson
 7,186,030 B2 3/2007 Schlanger
 7,216,896 B1 5/2007 McGhie
 7,234,747 B2 6/2007 Rasmussen
 7,287,806 B1 10/2007 Crean
 7,452,000 B2 11/2008 Winter
 7,677,625 B2 3/2010 Gosselin
 7,681,941 B2 3/2010 Freeman
 7,721,746 B2 5/2010 Yui
 D619,077 S 7/2010 Frankham
 D619,078 S 7/2010 Frankham
 7,789,452 B2 9/2010 Dempsey
 7,795,837 B1 * 9/2010 Haun H01M 10/441
 136/244
 7,810,866 B2 10/2010 Dempsey
 D633,010 S * 2/2011 Hixson B60P 3/0257
 D12/102
 7,967,369 B2 6/2011 Davidson
 7,987,863 B2 8/2011 Warner
 8,193,760 B2 * 6/2012 Wagnon H01M 10/465
 320/101
 8,439,426 B2 5/2013 Dempsey
 D689,401 S * 9/2013 Calderon D12/101
 D690,621 S * 10/2013 Rose D12/105
 D691,925 S * 10/2013 Hindle D12/101
 8,549,794 B2 10/2013 Hotes
 D700,111 S * 2/2014 Pacholyk D12/106
 D716,701 S * 11/2014 Beelman, III D12/106
 8,699,610 B2 12/2014 Venn
 9,184,628 B2 * 11/2015 Carpoff H02J 7/355
 9,205,881 B2 12/2015 Vandergon et al.
 D764,354 S * 8/2016 Riquer-Gonzalez-Cosio
 D12/106
 D775,056 S 12/2016 Wheel
 D785,542 S 5/2017 Patel et al.
 9,751,446 B2 * 9/2017 Hixson B60P 3/0257
 D812,545 S 3/2018 Donohoe
 D813,783 S 3/2018 Dowdey
 9,926,026 B2 3/2018 Vandergon et al.
 D836,532 S 12/2018 King
 2002/0084664 A1 7/2002 McManus
 2003/0197352 A1 10/2003 Bordeleau
 2008/0265617 A1 * 10/2008 Davidson B60P 3/341
 296/173
 2009/0188538 A1 7/2009 Kim
 2009/0224512 A1 9/2009 Winter
 2009/0288698 A1 * 11/2009 Chen H02S 20/00
 136/244
 2011/0181006 A1 7/2011 Heppner
 2018/0170467 A1 6/2018 Fleischhacker et al.

FOREIGN PATENT DOCUMENTS

EP 0007580 2/1980
 GB 2359312 8/2001

OTHER PUBLICATIONS

U.S. Appl. No. 60/915,089, filed Apr. 30, 2007, publicly available on or about Oct. 30, 2008.
 U.S. Appl. No. 29/614,015, filed Aug. 15, 2017.

* cited by examiner

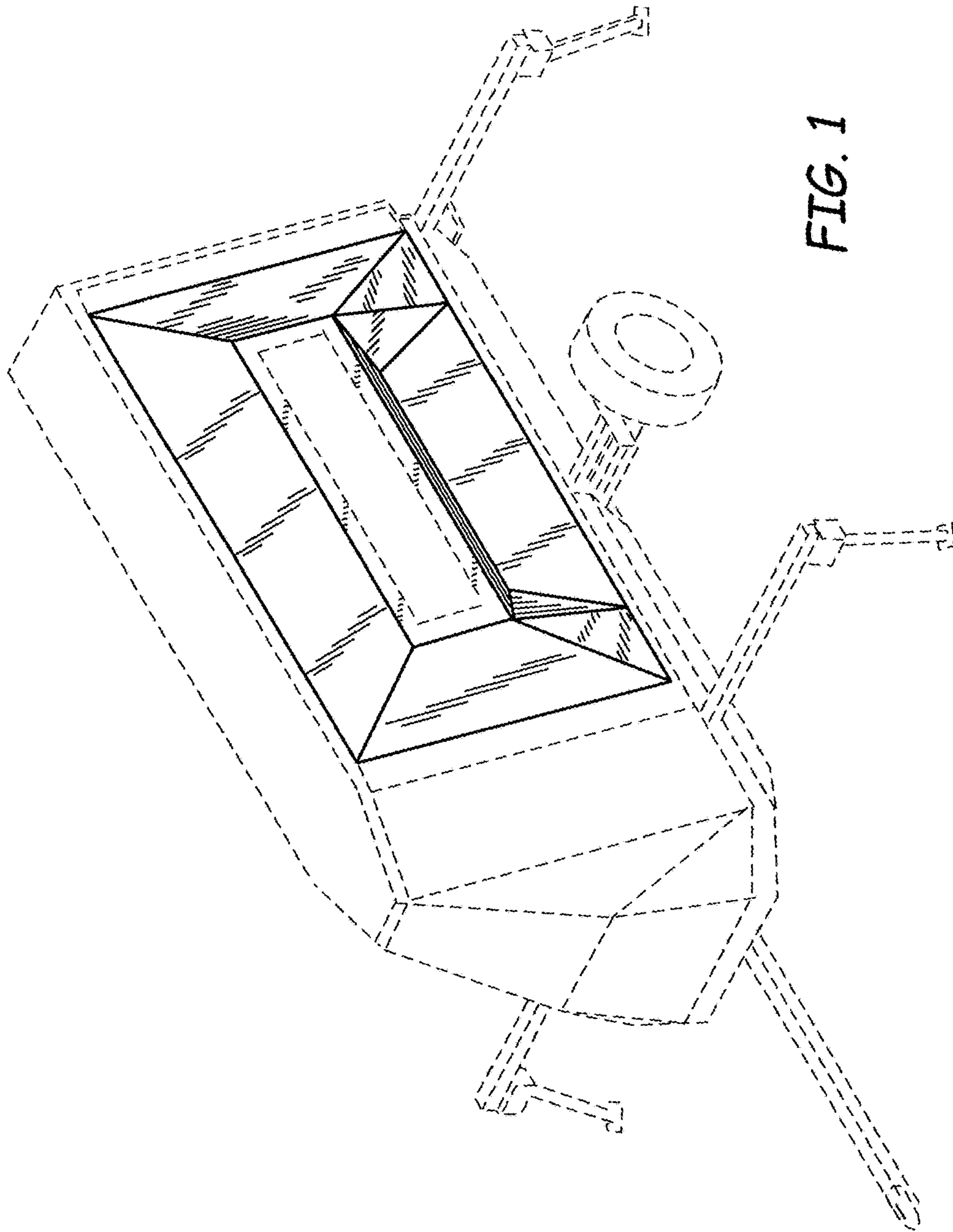


FIG. 1

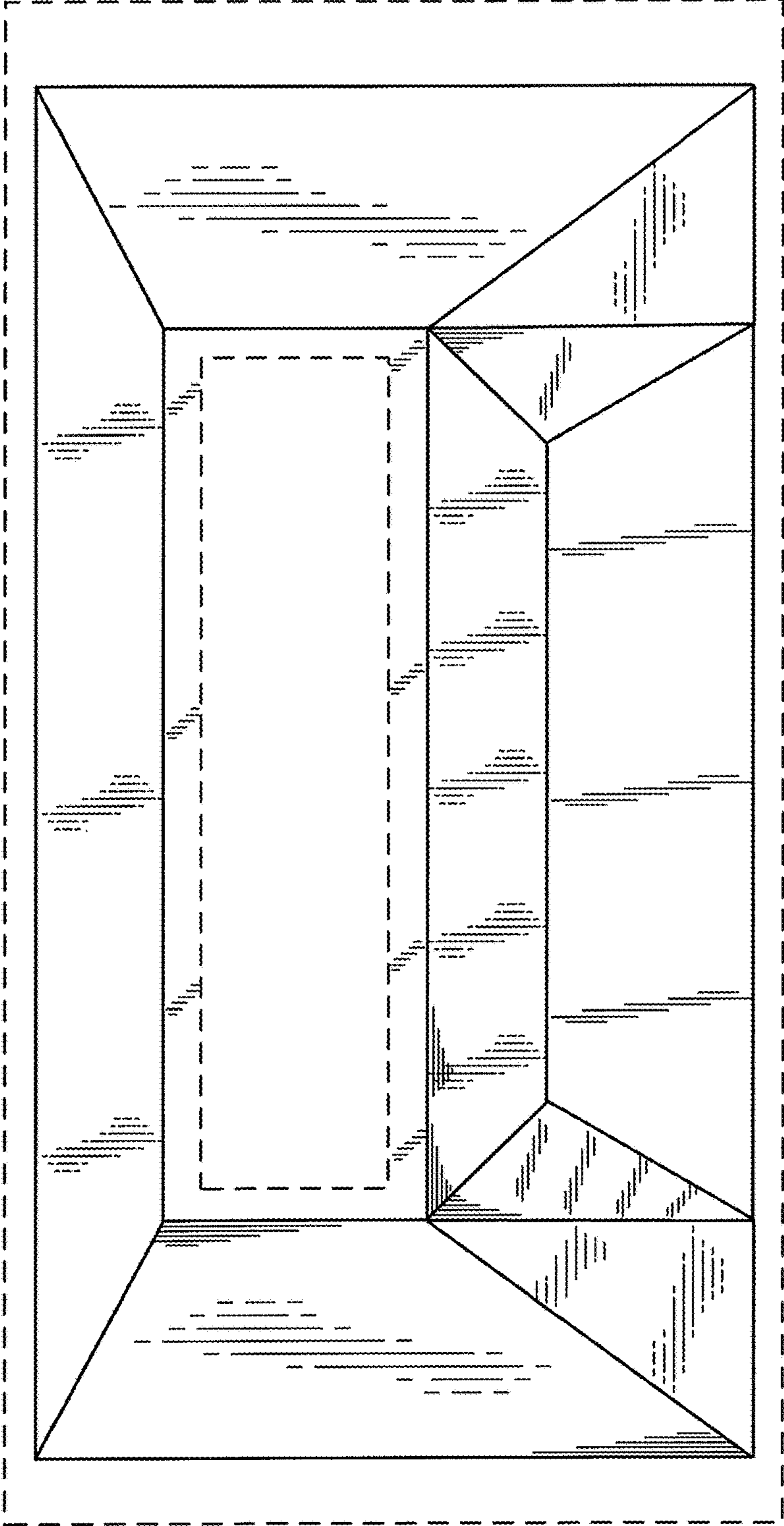


FIG. 2



FIG. 3

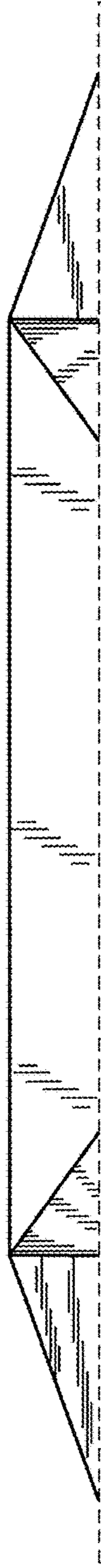


FIG. 4



FIG. 5



FIG. 6