



US00D865571S

(12) **United States Design Patent** (10) **Patent No.:** **US D865,571 S**
Reinero (45) **Date of Patent:** **** Nov. 5, 2019**

(54) **UTILITY TRAILER**
(71) Applicant: **David A. Reinero**, Columbia, MO (US)
(72) Inventor: **David A. Reinero**, Columbia, MO (US)
(**) Term: **15 Years**
(21) Appl. No.: **29/651,143**
(22) Filed: **Dec. 29, 2017**
(51) **LOC (12) Cl.** **12-10**
(52) **U.S. Cl.**
USPC **D12/102**
(58) **Field of Classification Search**
USPC D12/19, 129, 100-106, 111, 112;
D21/425, 435; D34/21-26, 12, 16-19
CPC B62D 35/00; B62D 33/077; B60P 3/10;
B60P 3/1033; B60P 3/0257; B60P 3/38;
B60P 3/34; E01F 15/14
See application file for complete search history.

D546,245 S * 7/2007 Heard D12/102
D566,624 S * 4/2008 Dempsey D12/105
D577,315 S * 9/2008 Parker D12/102
D626,461 S * 11/2010 Barrios D12/101
D737,725 S * 9/2015 Bell D12/102
D759,546 S * 6/2016 Van Wyk D12/102
D817,940 S * 5/2018 Baker D14/242
D836,037 S * 12/2018 Tran D12/102

* cited by examiner

Primary Examiner — Katrina A Betton
(74) *Attorney, Agent, or Firm* — Paul R. Martin

(57) **CLAIM**

The ornamental design for a utility trailer, as shown and described.

DESCRIPTION

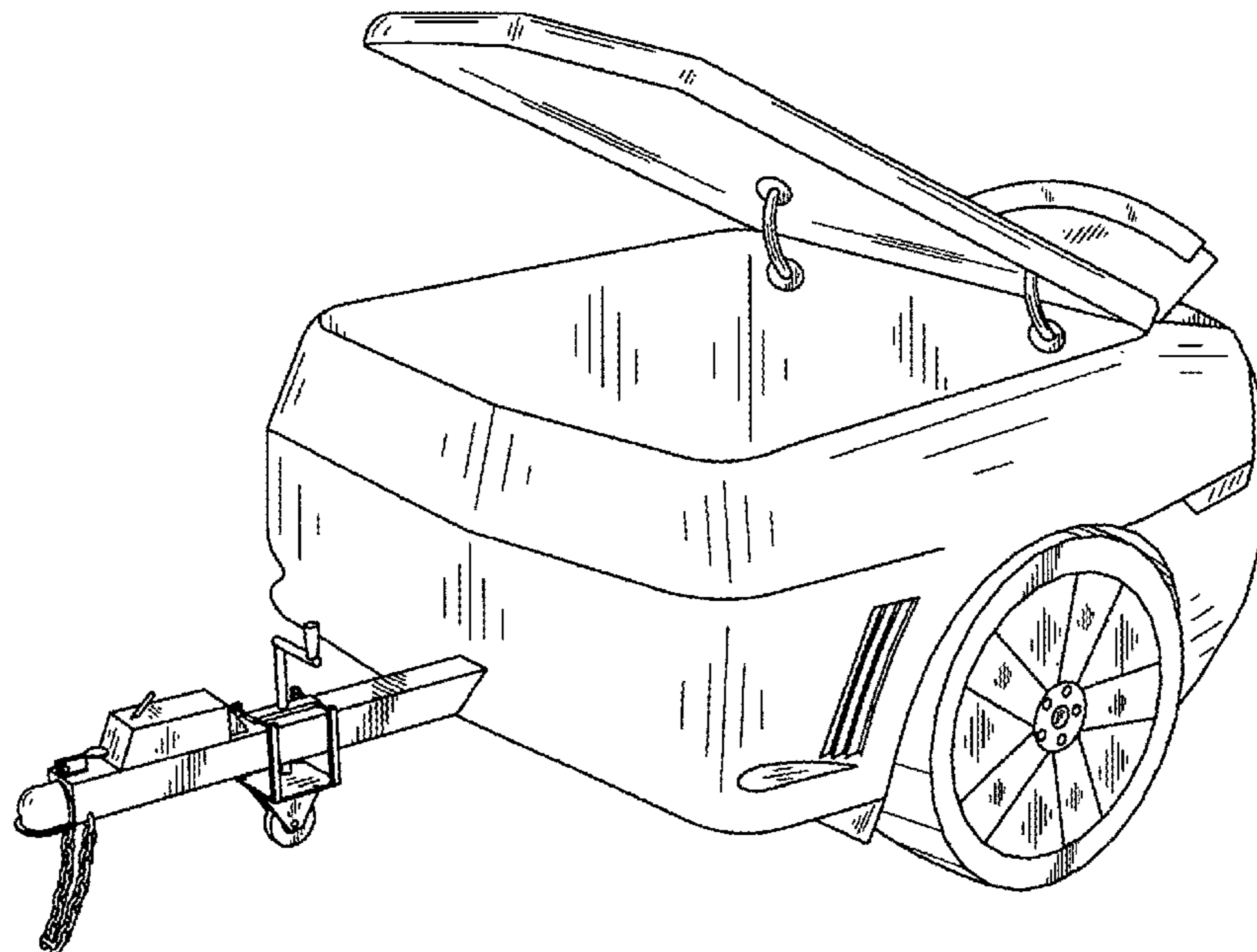
FIG. 1 is a perspective view of the utility trailer of my new design showing the lids on the top thereof in a closed position.
FIG. 2 is another perspective view thereof, showing the lids on the top thereof in an open position.
FIG. 3 is an elevational view of the left side thereof.
FIG. 4 is an elevational view of the right side thereof.
FIG. 5 is an elevational view of the front thereof.
FIG. 6 is an elevational view of the back thereof.
FIG. 7 is a top plan view thereof; and,
FIG. 8 is a bottom plan view thereof.

1 Claim, 8 Drawing Sheets

(56) **References Cited**

U.S. PATENT DOCUMENTS

D443,561 S * 6/2001 Voogt D12/102
D486,759 S * 2/2004 Armstrong D12/102
D495,276 S * 8/2004 Armstrong D12/102
D501,430 S * 2/2005 Cox, II D12/102
D544,815 S * 6/2007 Williams D12/101



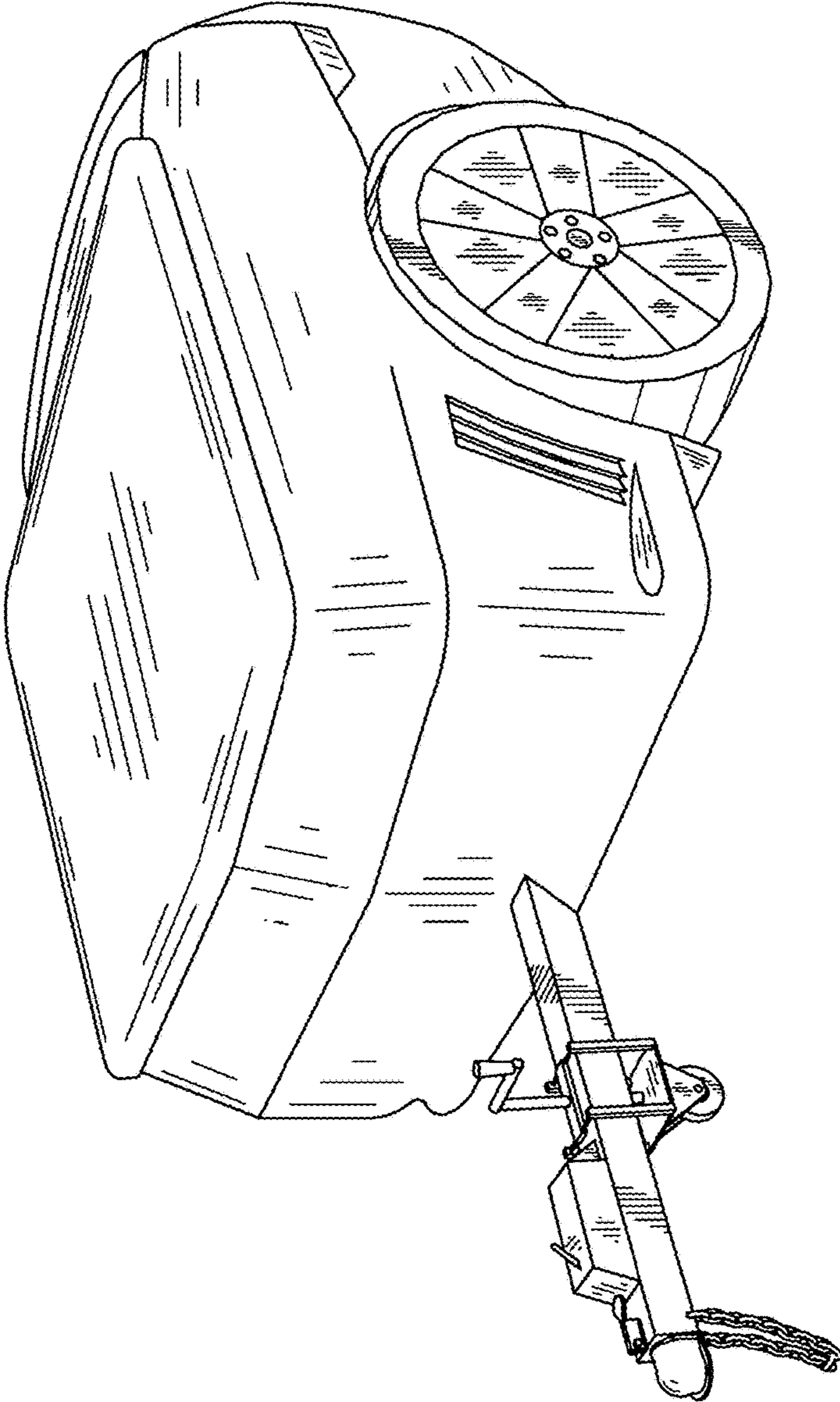


FIG. 1

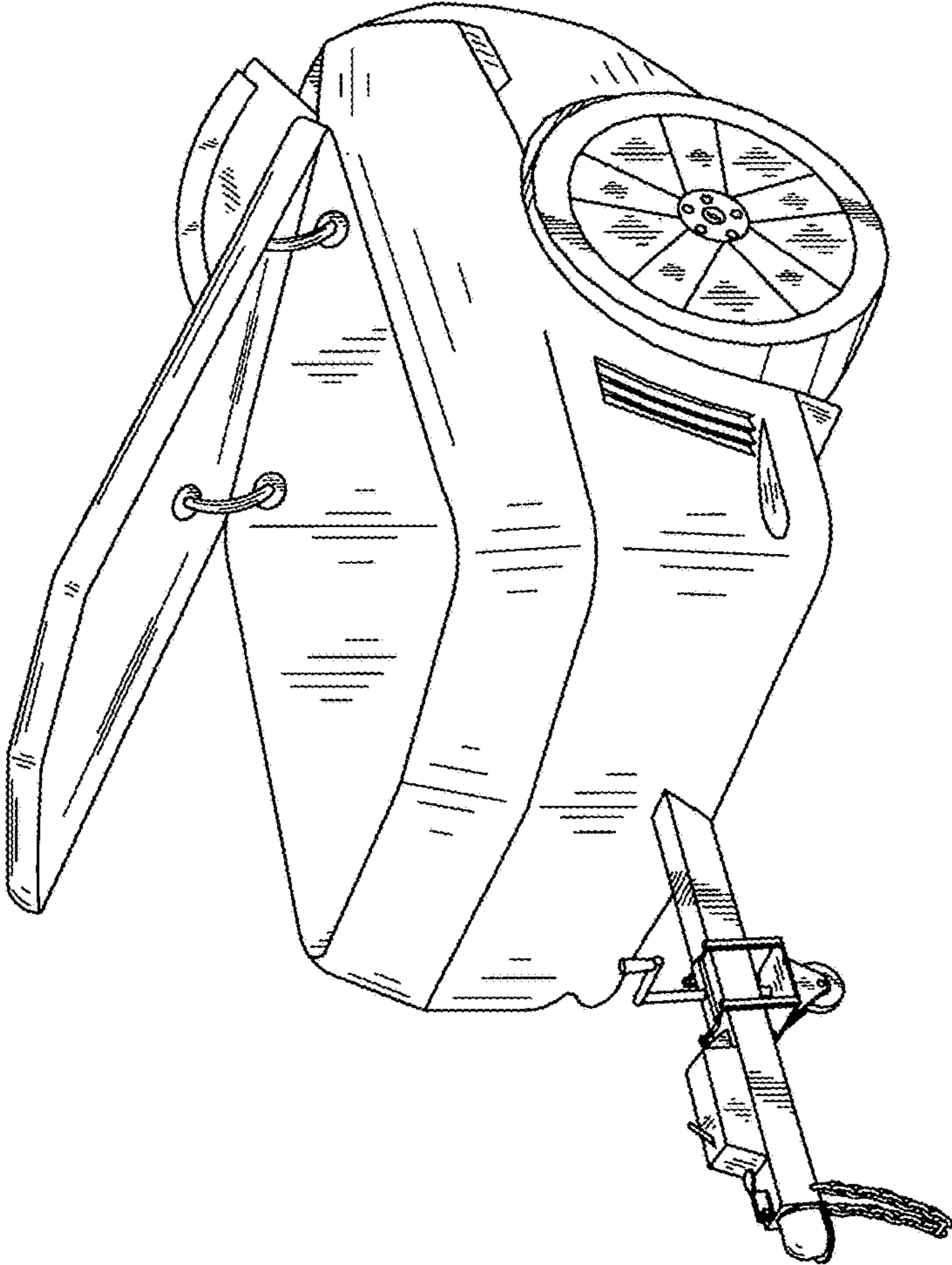


FIG. 2

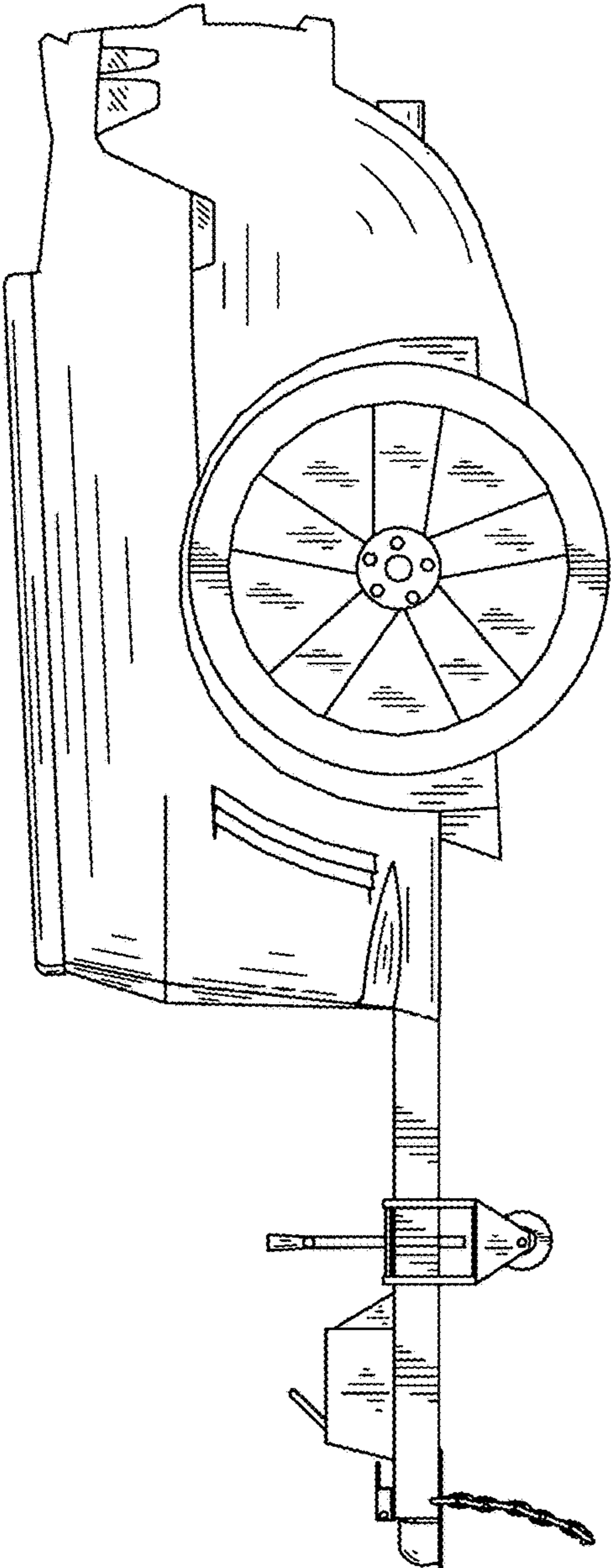


FIG. 3

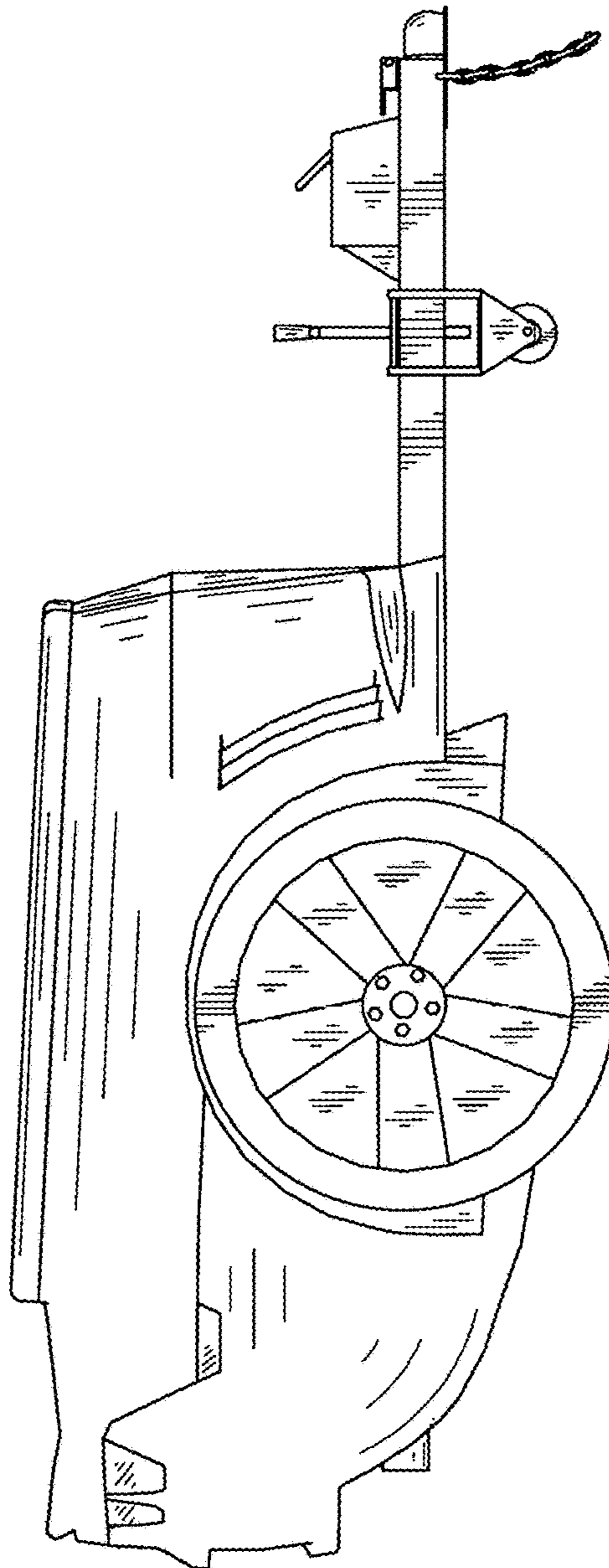


FIG. 4

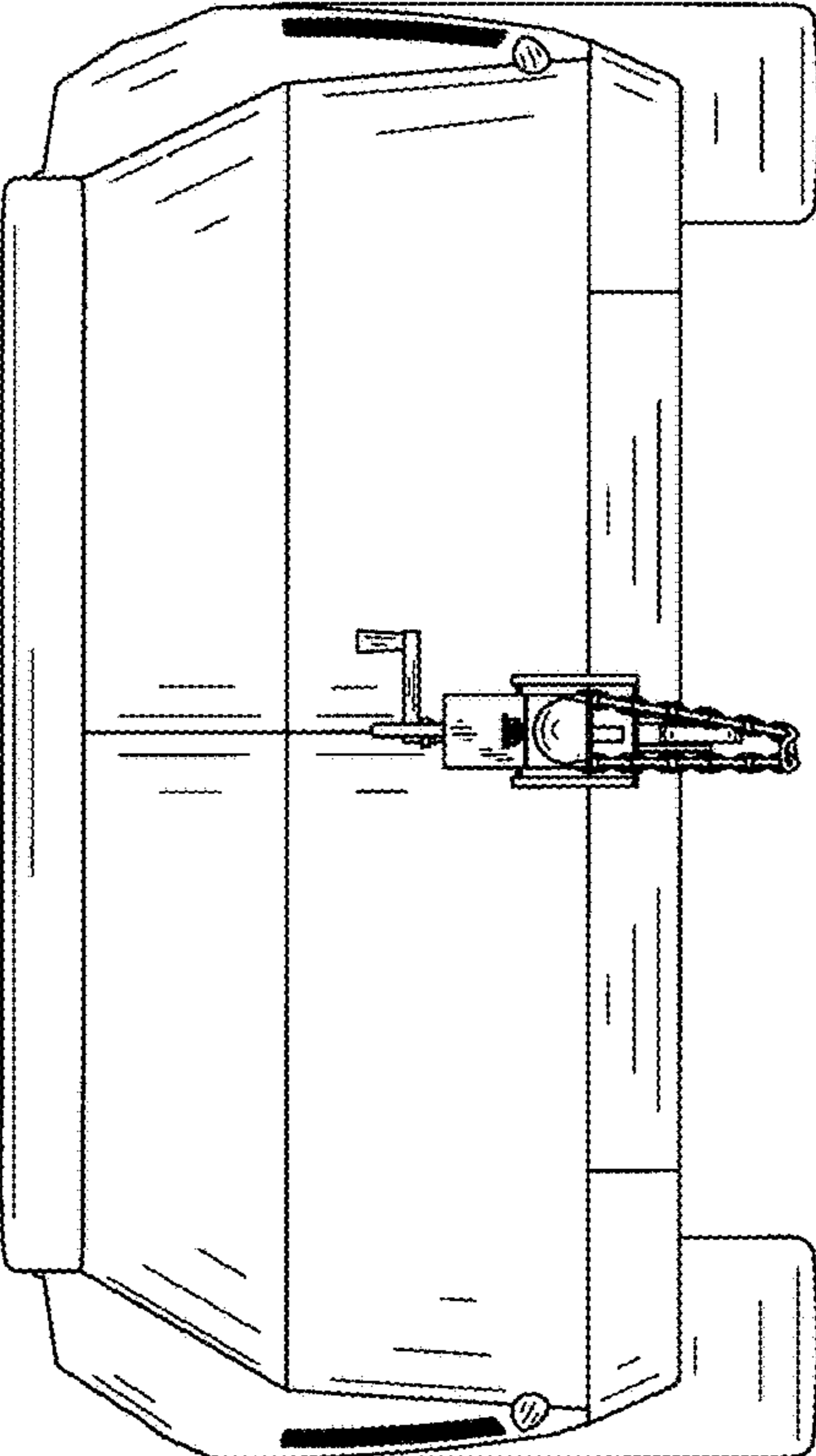


FIG. 5

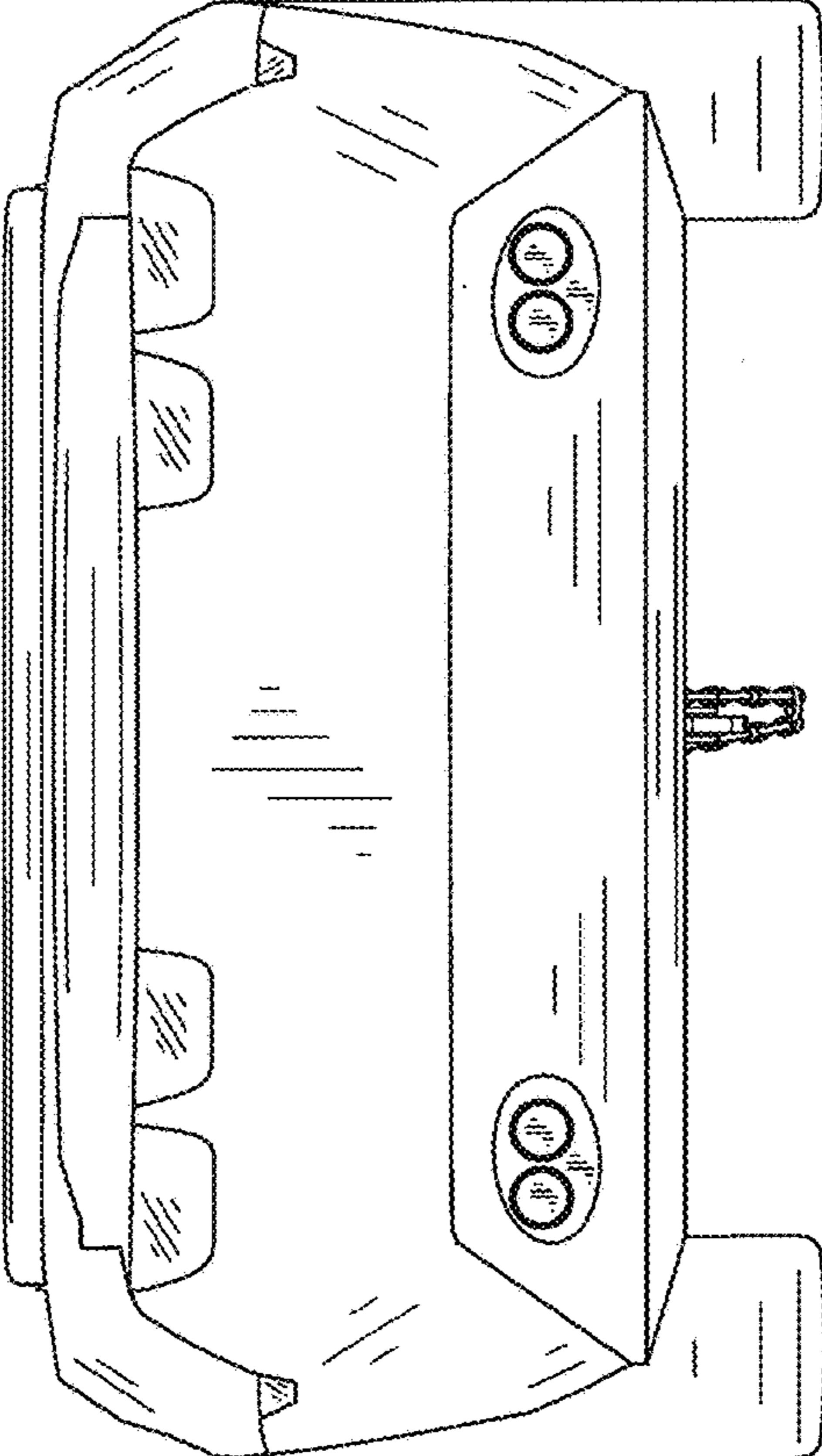


FIG. 6

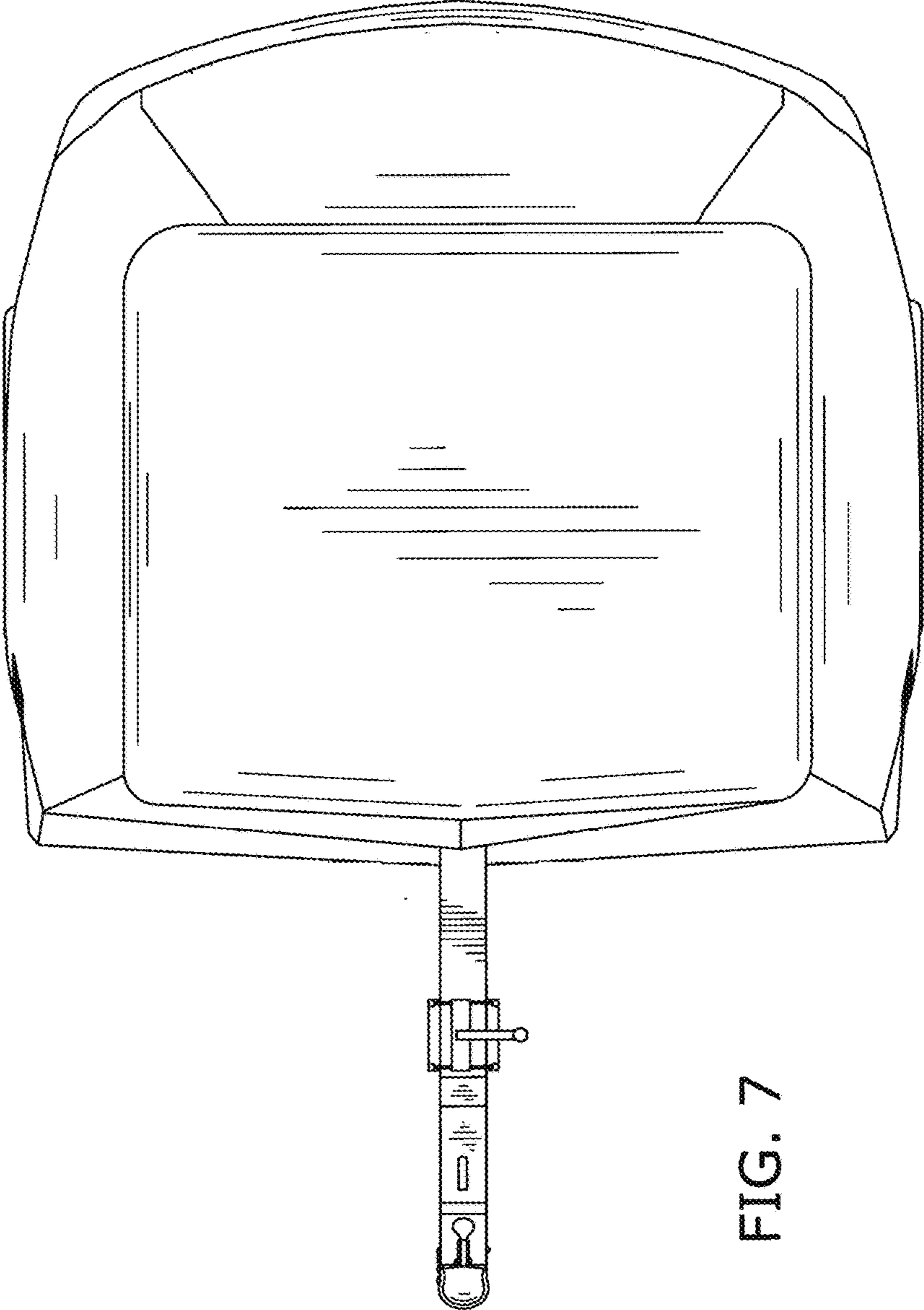


FIG. 7

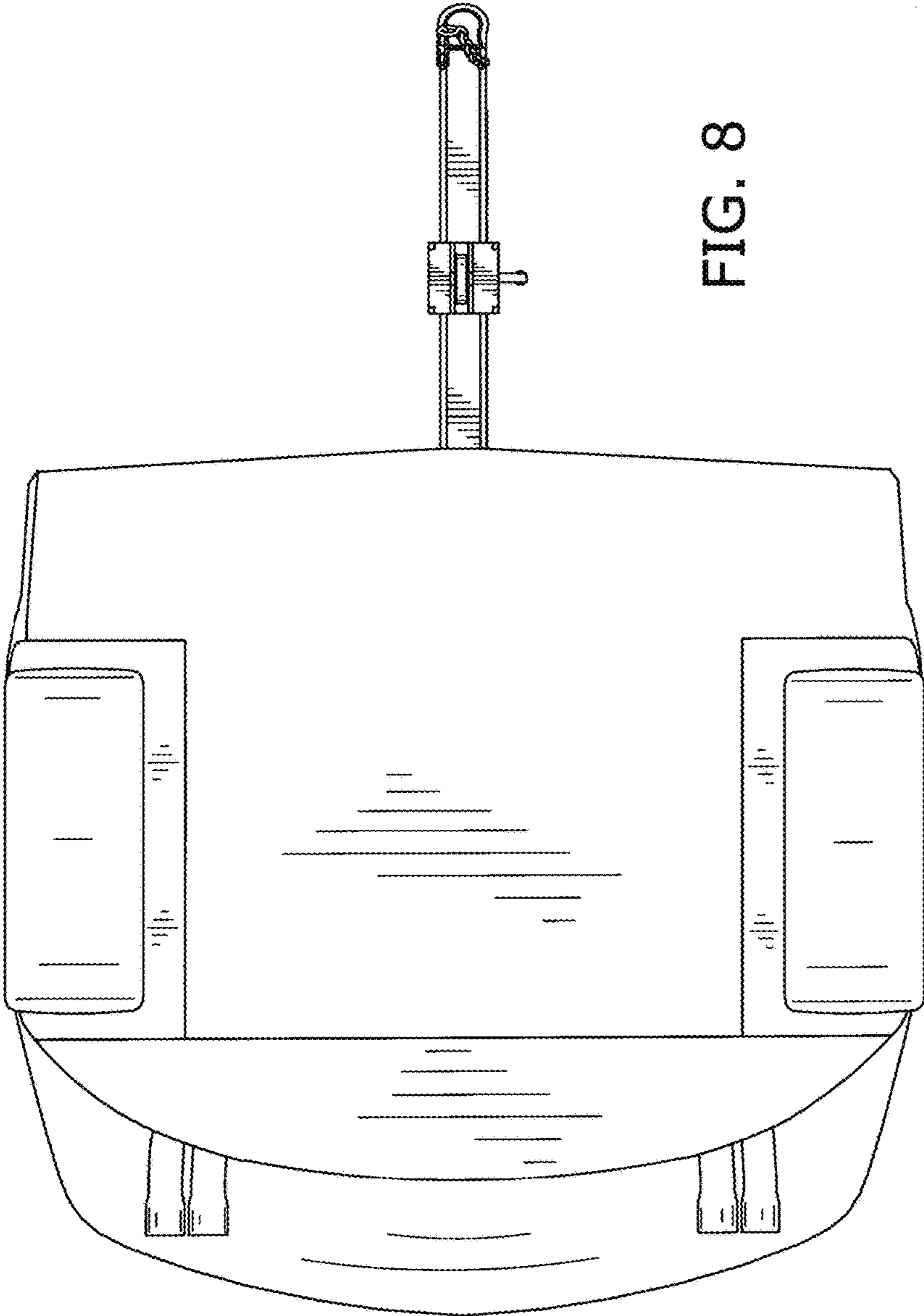


FIG. 8