

US00D865570S

(12) **United States Design Patent**
Sablatura

(10) **Patent No.:** **US D865,570 S**

(45) **Date of Patent:** **** Nov. 5, 2019**

- (54) **TRAILER HITCH CARGO CARRIER**
- (71) Applicant: **Terrence Sablatura**, Columbus, TX (US)
- (72) Inventor: **Terrence Sablatura**, Columbus, TX (US)

D750,122 S *	2/2016	Shardlow	D14/487
D751,466 S *	3/2016	Freitag	D12/101
D759,547 S *	6/2016	Van Wyk	D12/102
D779,380 S *	2/2017	van den Berg	D12/101
D793,911 S *	8/2017	Yim	D12/101
D803,102 S *	11/2017	Pletcher	D12/101
D836,492 S *	12/2018	Wagers	D12/101

- (**) Term: **15 Years**
- (21) Appl. No.: **29/655,760**
- (22) Filed: **Jul. 6, 2018**

Related U.S. Application Data

- (63) Continuation of application No. 16/016,090, filed on Jun. 22, 2018.
- (51) **LOC (12) Cl.** **12-10**
- (52) **U.S. Cl.**
USPC **D12/101**
- (58) **Field of Classification Search**
USPC D12/162; D21/425, 435; D34/21-26, D34/12, 16-19
CPC . B62D 35/02; B62D 35/00; B60P 3/10; B60P 3/1033; A62B 3/005
See application file for complete search history.

(56) **References Cited**

U.S. PATENT DOCUMENTS

D706,684 S *	6/2014	Dempsey	D12/101
D733,005 S *	6/2015	Erwin	D12/101
D737,725 S *	9/2015	Bell	D12/102
D738,806 S *	9/2015	Williamson	D12/221
D742,815 S *	11/2015	Shaw	D12/103

OTHER PUBLICATIONS

<http://www.unwsta.com/p/hitch-basket-carrier>; Jul. 6, 2018, Eau Clair, WI US.

* cited by examiner

Primary Examiner — Katrina A Betton

(74) *Attorney, Agent, or Firm* — Brandon T. Cook; Gunn, Lee & Cave, P.C.

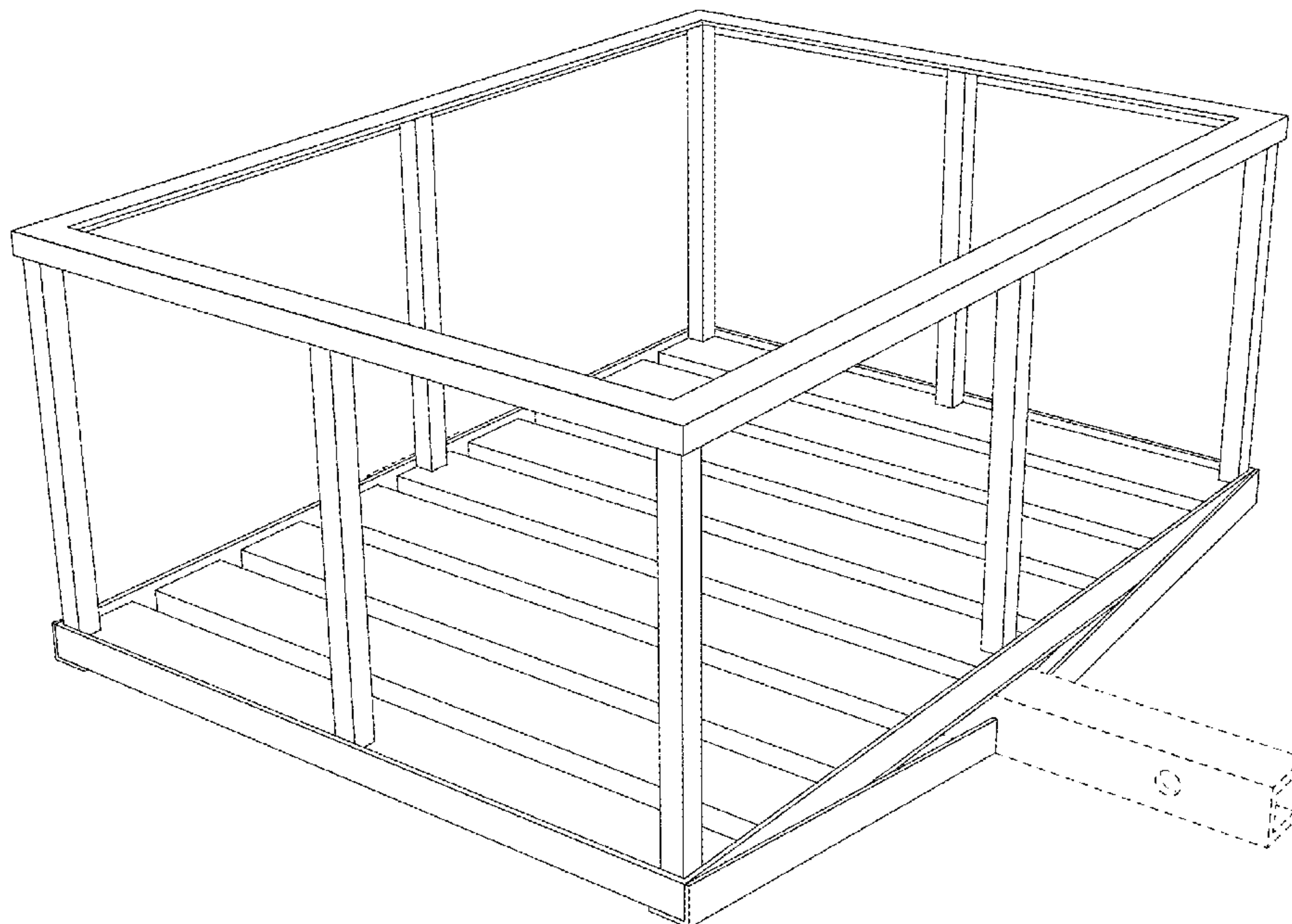
(57) **CLAIM**

An ornamental design for a trailer hitch cargo carrier, as shown and described.

DESCRIPTION

FIG. 1 is a rear view of my trailer hitch cargo carrier. FIG. 2 is a front view of my trailer hitch cargo carrier. FIG. 3 is a side view of my trailer hitch cargo carrier. FIG. 4 is a top view of my trailer hitch cargo carrier. FIG. 5 is a bottom view of my trailer hitch cargo carrier; and, FIG. 6 is a perspective view of my trailer hitch cargo carrier. The broken lines represent unclaimed subject matter and form no part of the claimed design.

1 Claim, 3 Drawing Sheets



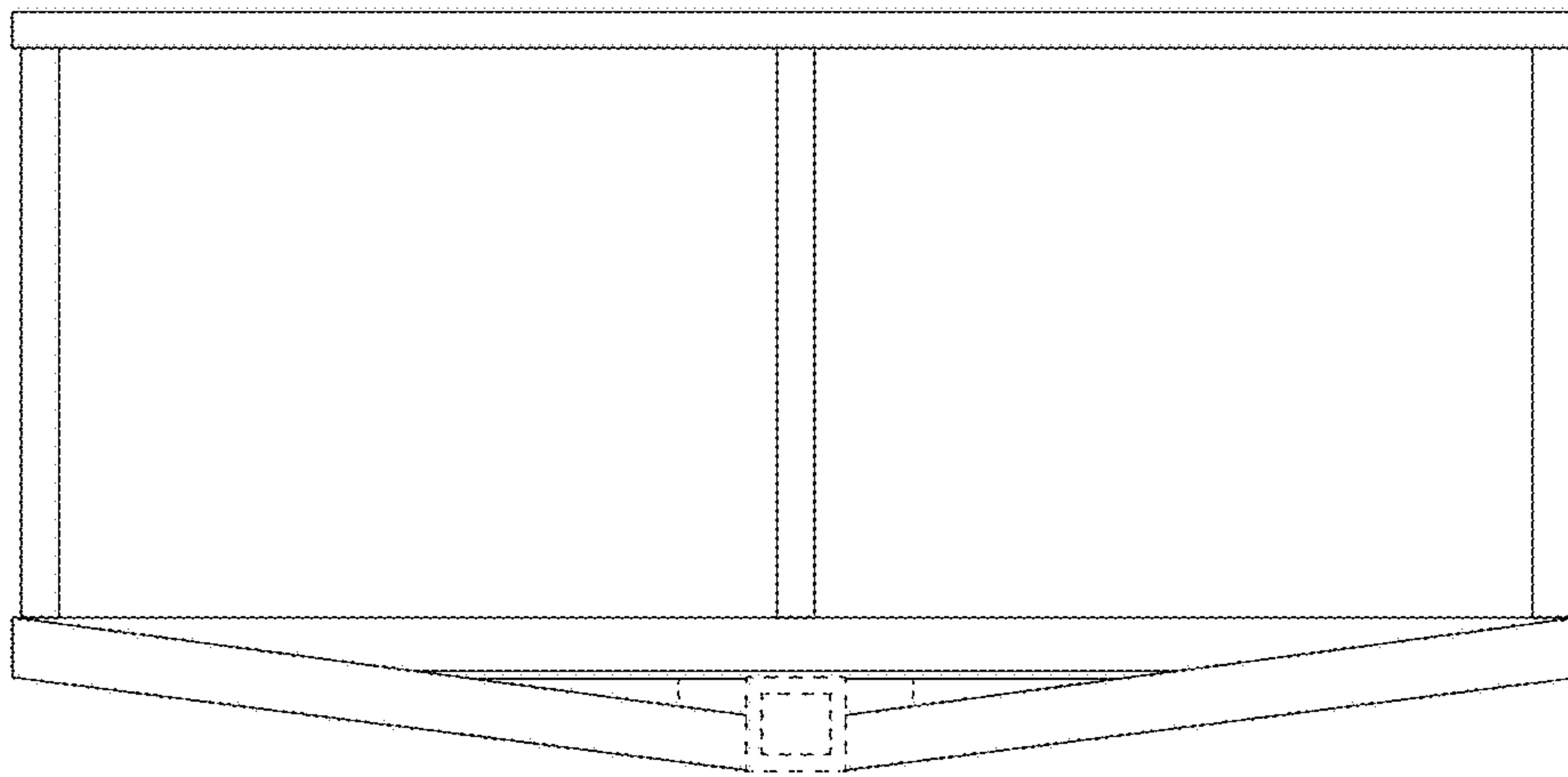


Fig. 1

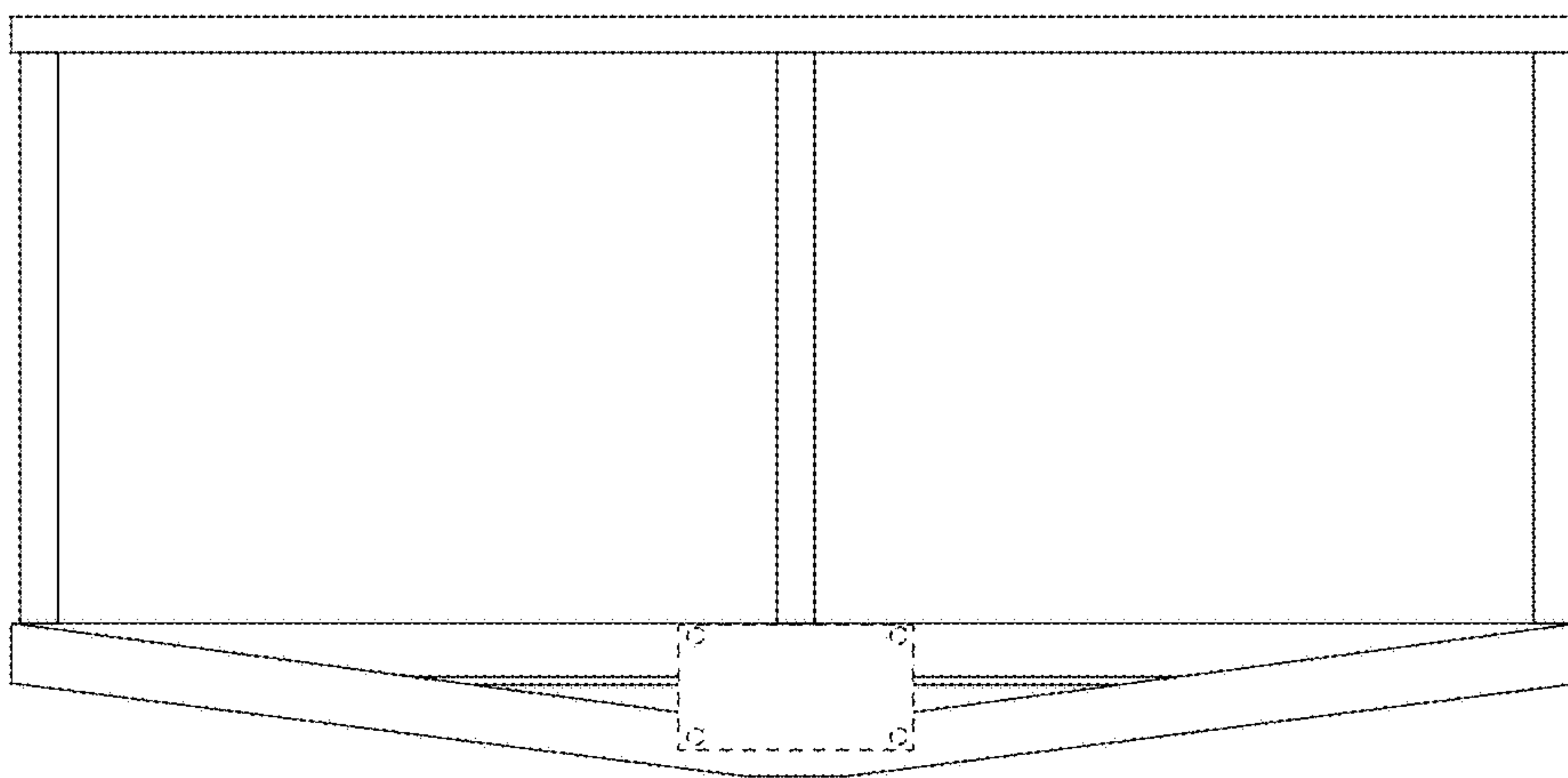


Fig. 2

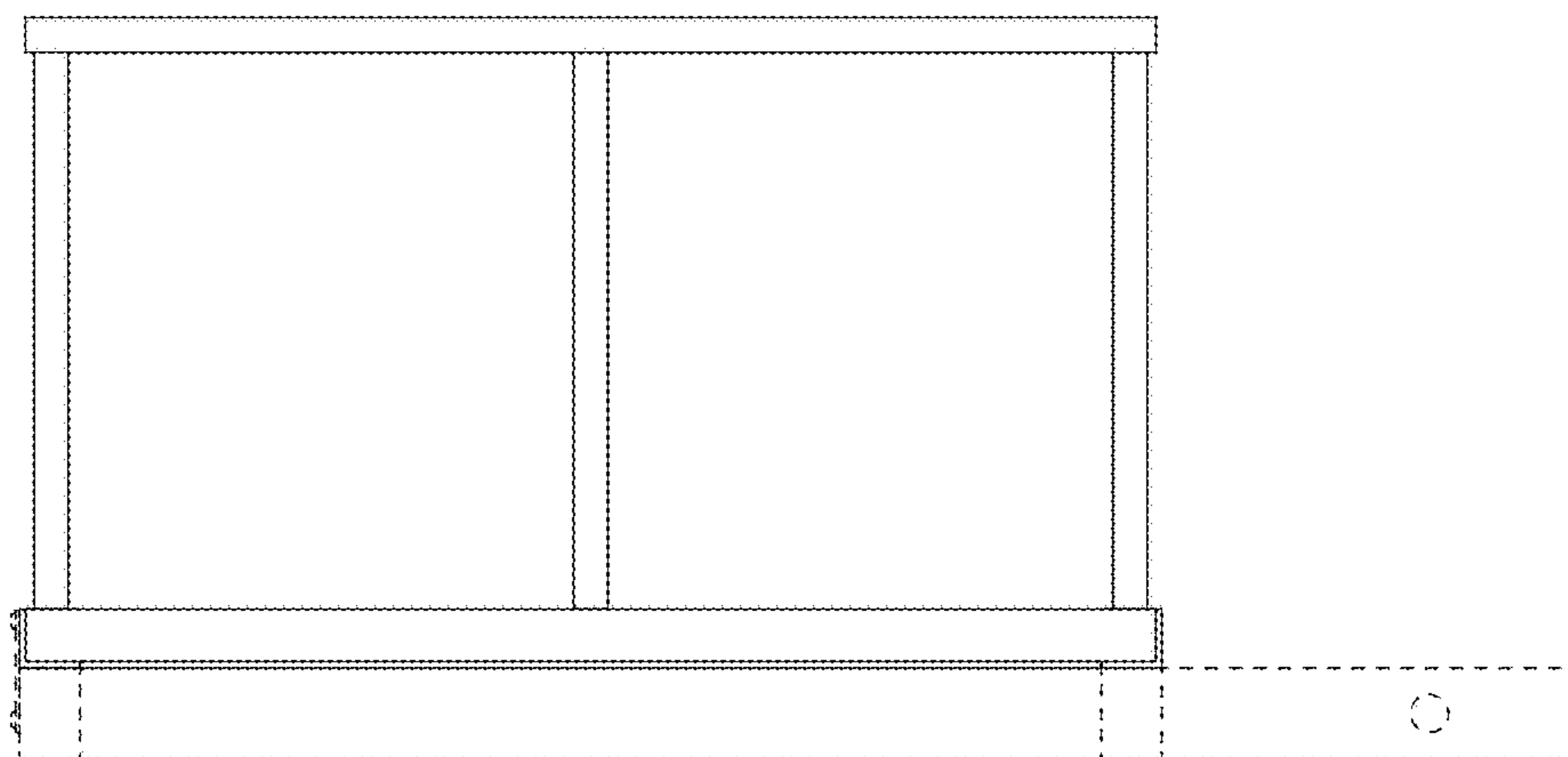


Fig. 3

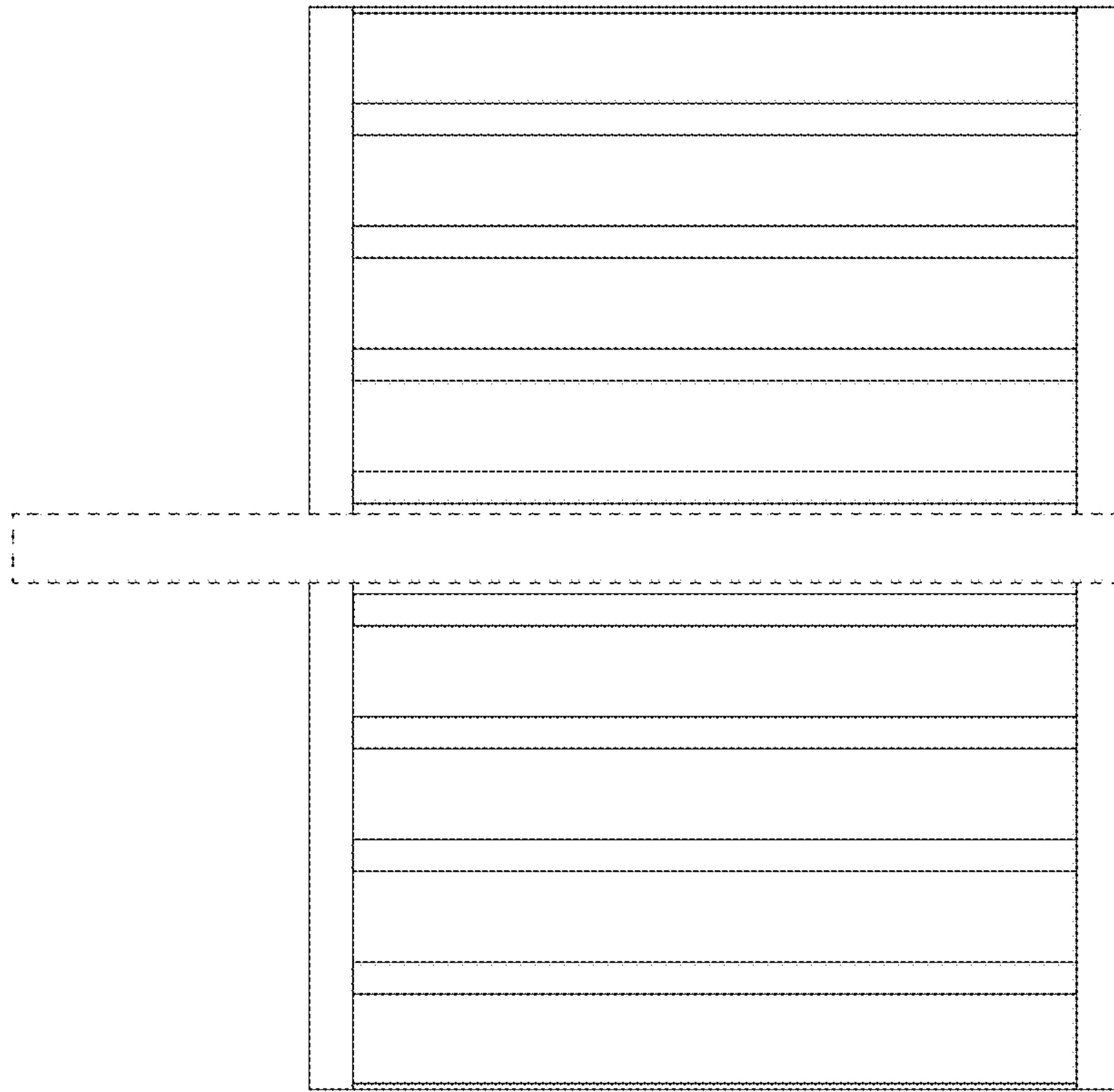


Fig. 5

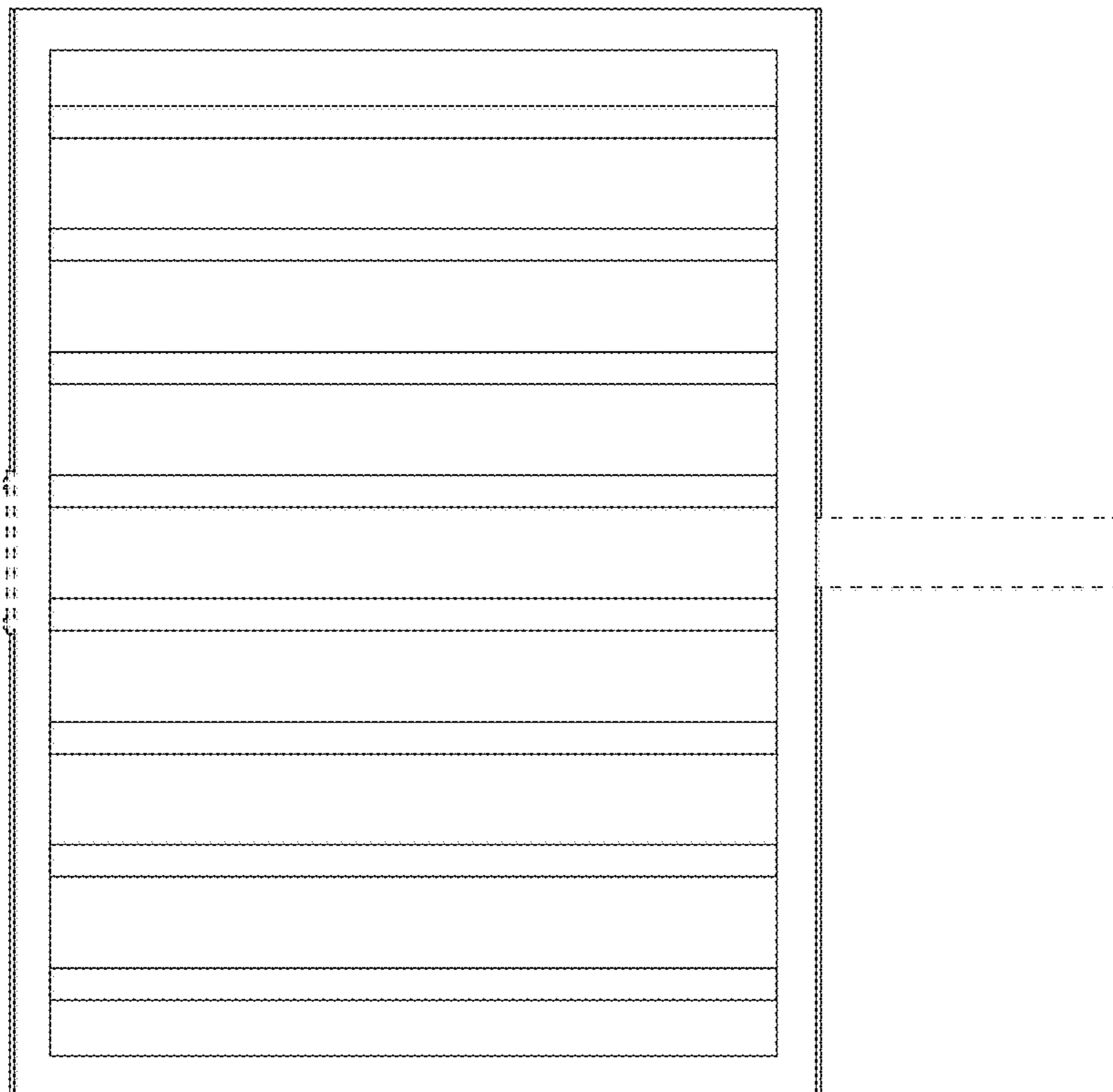


Fig. 4

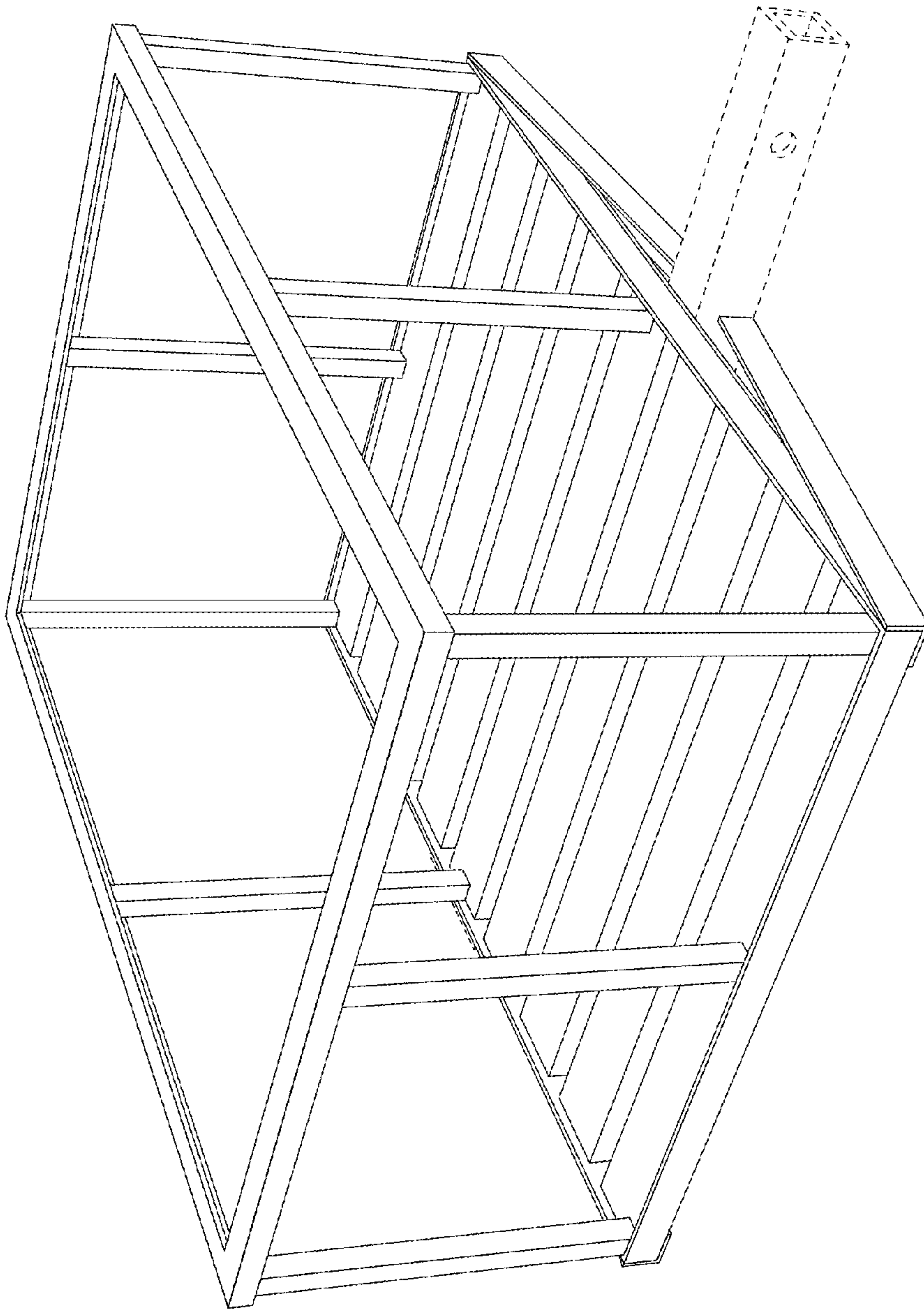


Fig. 6