



US00D865569S

(12) **United States Design Patent** (10) **Patent No.:** **US D865,569 S**  
**Jeung et al.** (45) **Date of Patent:** **\*\* Nov. 5, 2019**

(54) **AUTOMOBILE**

(56) **References Cited**

(71) Applicant: **YAMAHA HATSUDOKI**  
**KABUSHIKI KAISHA**, Shizuoka-ken  
(JP)

U.S. PATENT DOCUMENTS

D503,659 S	*	4/2005	Matsumoto	.....	D12/98
D551,127 S	*	9/2007	Kruger	.....	D12/98
D564,946 S	*	3/2008	Kruger	.....	D12/98
D570,253 S	*	6/2008	Cunagin	.....	D12/96
D584,999 S	*	1/2009	Sperling	.....	D12/98
D626,454 S	*	11/2010	Bischoff	.....	D12/91
D712,787 S	*	9/2014	Mogami	.....	D12/91

(72) Inventors: **Hyunchoul Jeung**, Shizuoka-ken (JP);  
**Philip Graeme Allen**, Shizuoka-ken  
(JP); **Hsin Hsu**, Shizuoka-ken (JP);  
**Carlos David Gonzalez Uribe**,  
Shizuoka-ken (JP)

\* cited by examiner

(73) Assignee: **YAMAHA HATSUDOKI**  
**KABUSHIKI KAISHA** (JP)

*Primary Examiner* — Melody N Brown

(74) *Attorney, Agent, or Firm* — Ostrolenk Faber LLP

(\*\*) Term: **15 Years**

(57) **CLAIM**

The ornamental design for an automobile, as shown and described.

(21) Appl. No.: **29/642,370**

(22) Filed: **Mar. 29, 2018**

**DESCRIPTION**

(30) **Foreign Application Priority Data**

Sep. 29, 2017 (JP) ..... 2017-021387

(51) **LOC (12) Cl.** ..... **12-08**

(52) **U.S. Cl.**  
USPC ..... **D12/98**

(58) **Field of Classification Search**  
USPC ..... D12/86, 90–92, 88, 98; D21/424, 433,  
D21/434, 533; 296/181.1, 181.5, 181.3,  
296/183.1, 37.6

FIG. 1 is a top, front and left side perspective view of an automobile showing our new design;  
FIG. 2 is a top, rear and right side perspective view thereof with the rear tailgate in closed condition;  
FIG. 3 is a left side view thereof;  
FIG. 4 is a right side rear view thereof;  
FIG. 5 is a front view thereof;  
FIG. 6 is a rear view thereof;  
FIG. 7 is a top view thereof; and,  
FIG. 8 is a top, rear and right side perspective view thereof with the rear tailgate in open condition.

CPC ..... B60R 9/06; B62D 35/00  
See application file for complete search history.

**1 Claim, 8 Drawing Sheets**

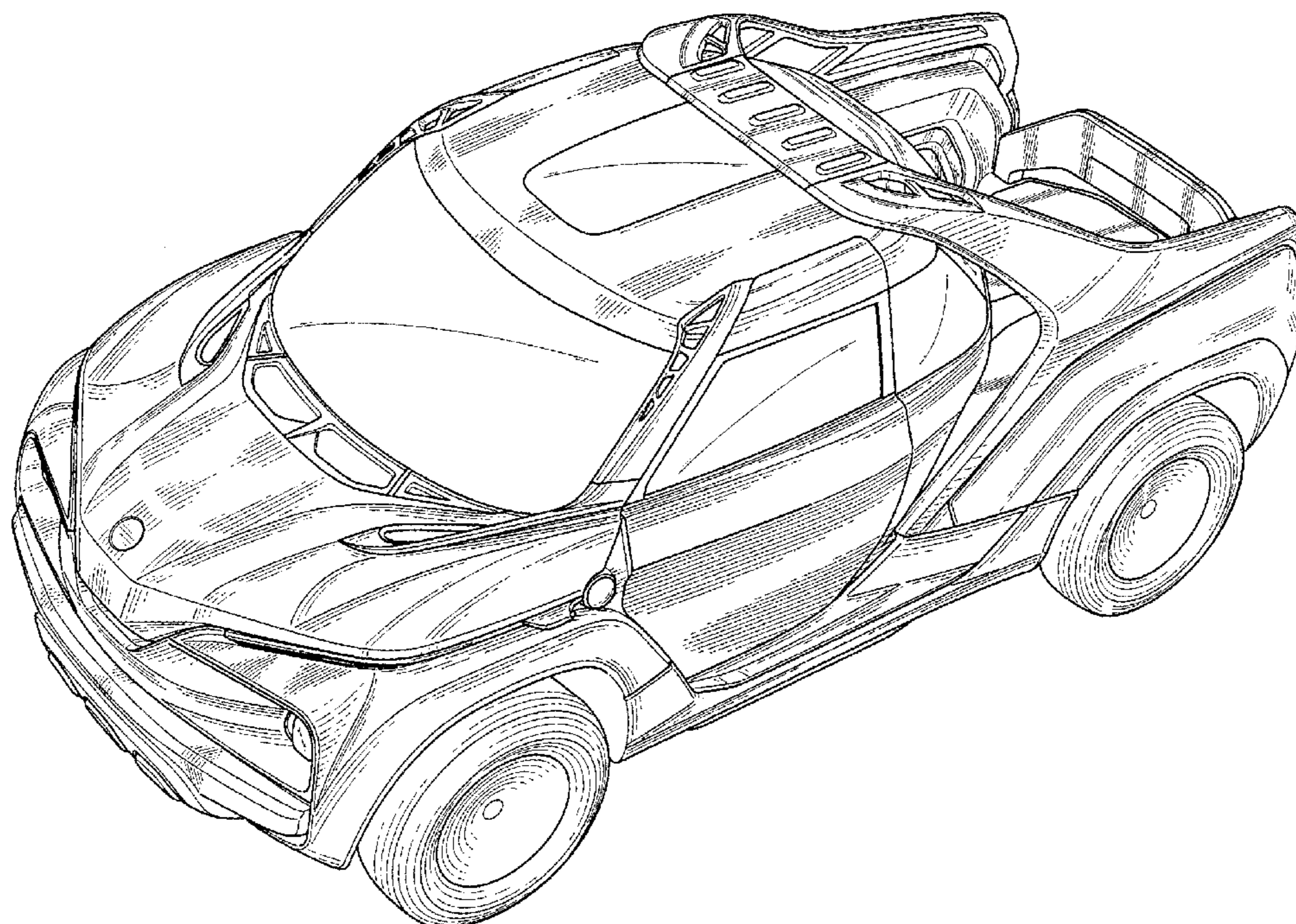




FIG. 1

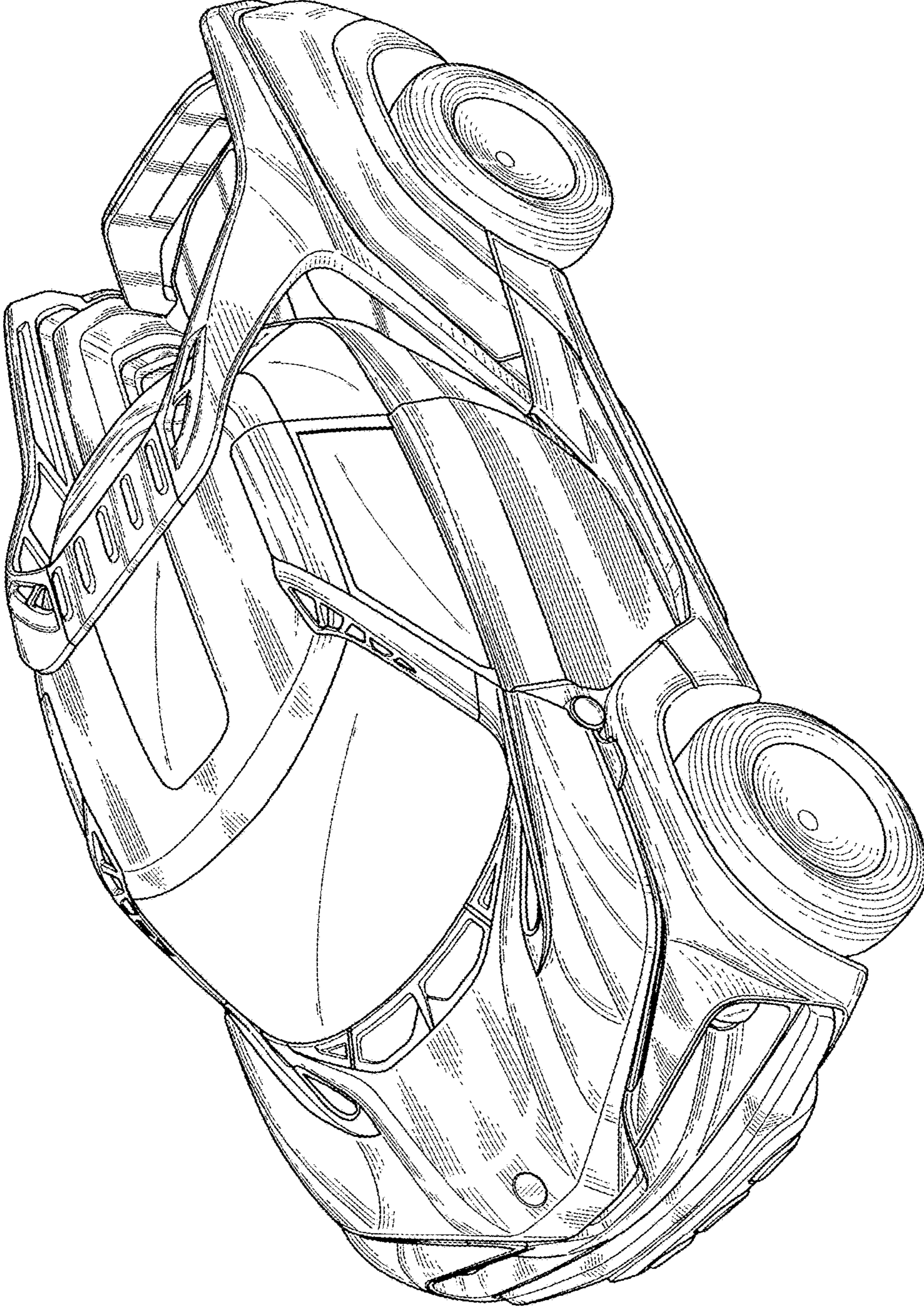




FIG. 2

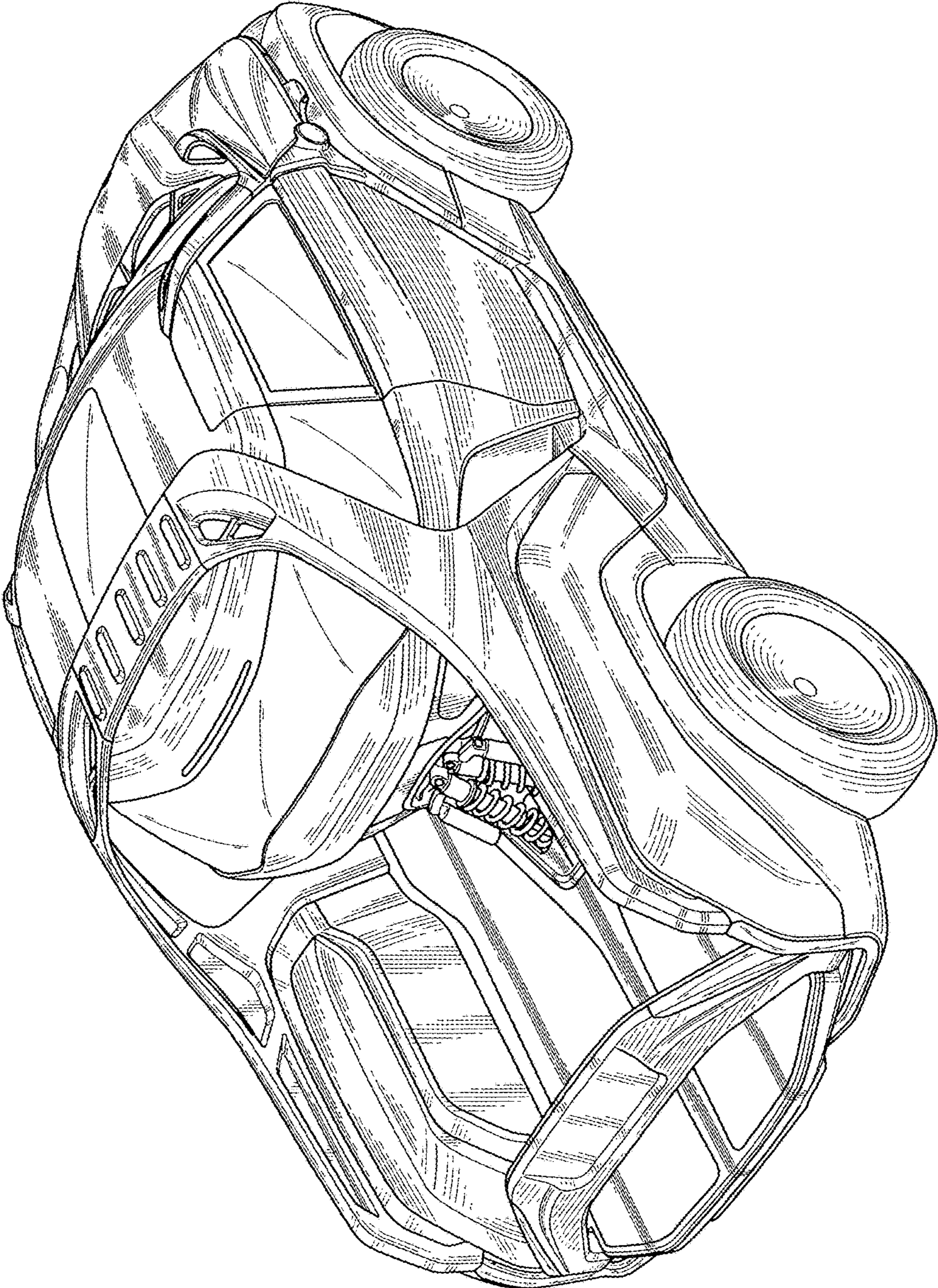




FIG. 3

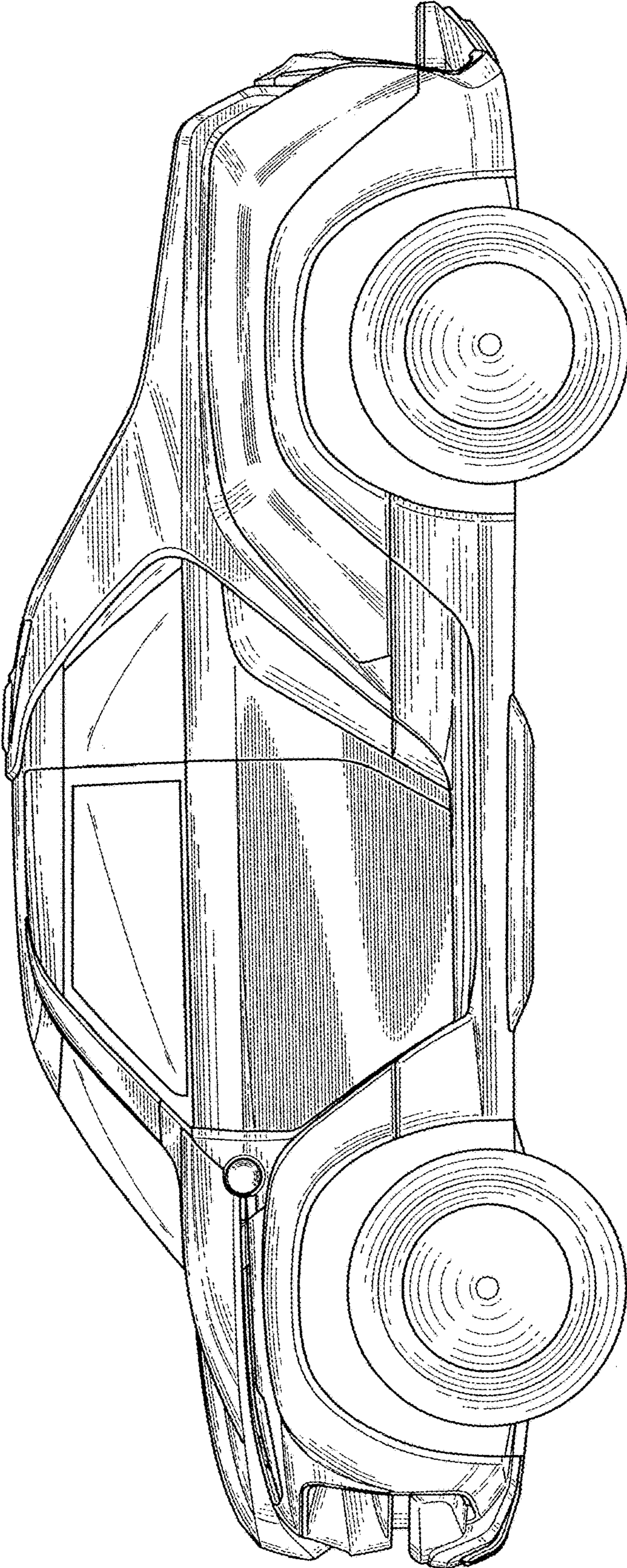




FIG. 4

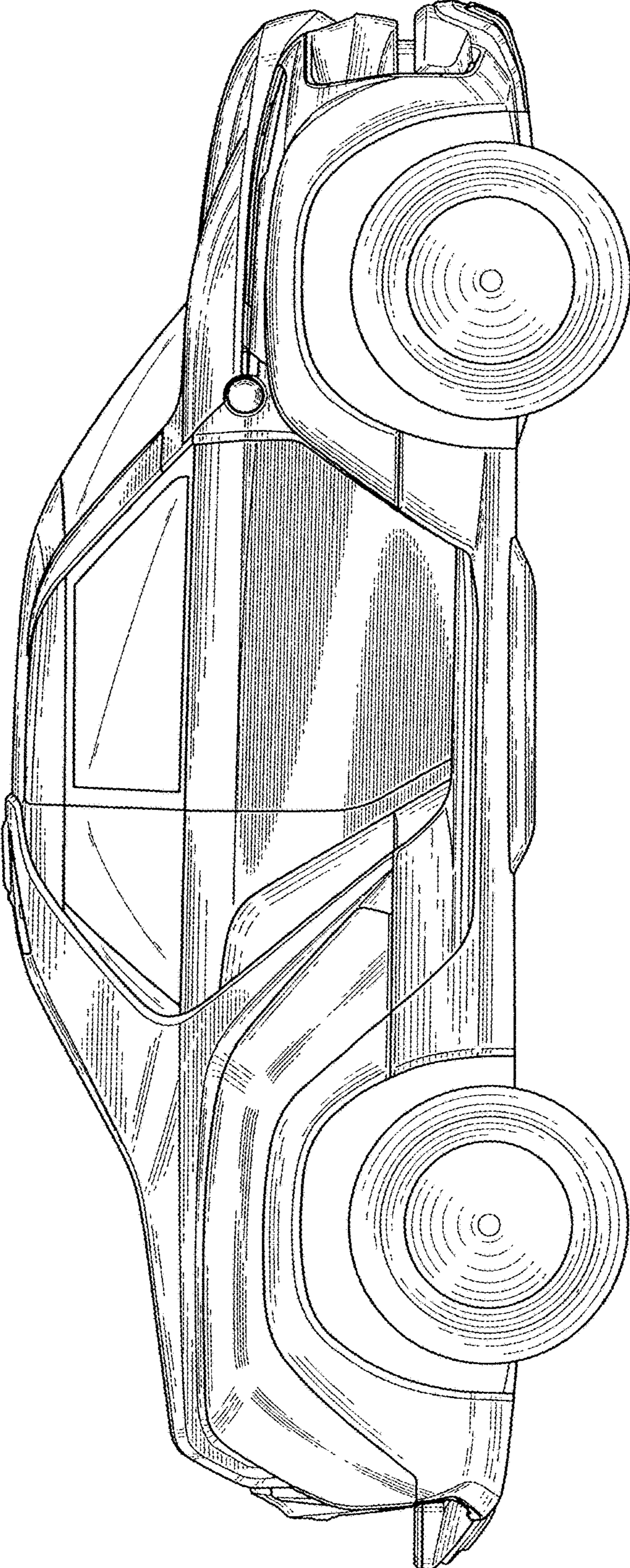


FIG. 5

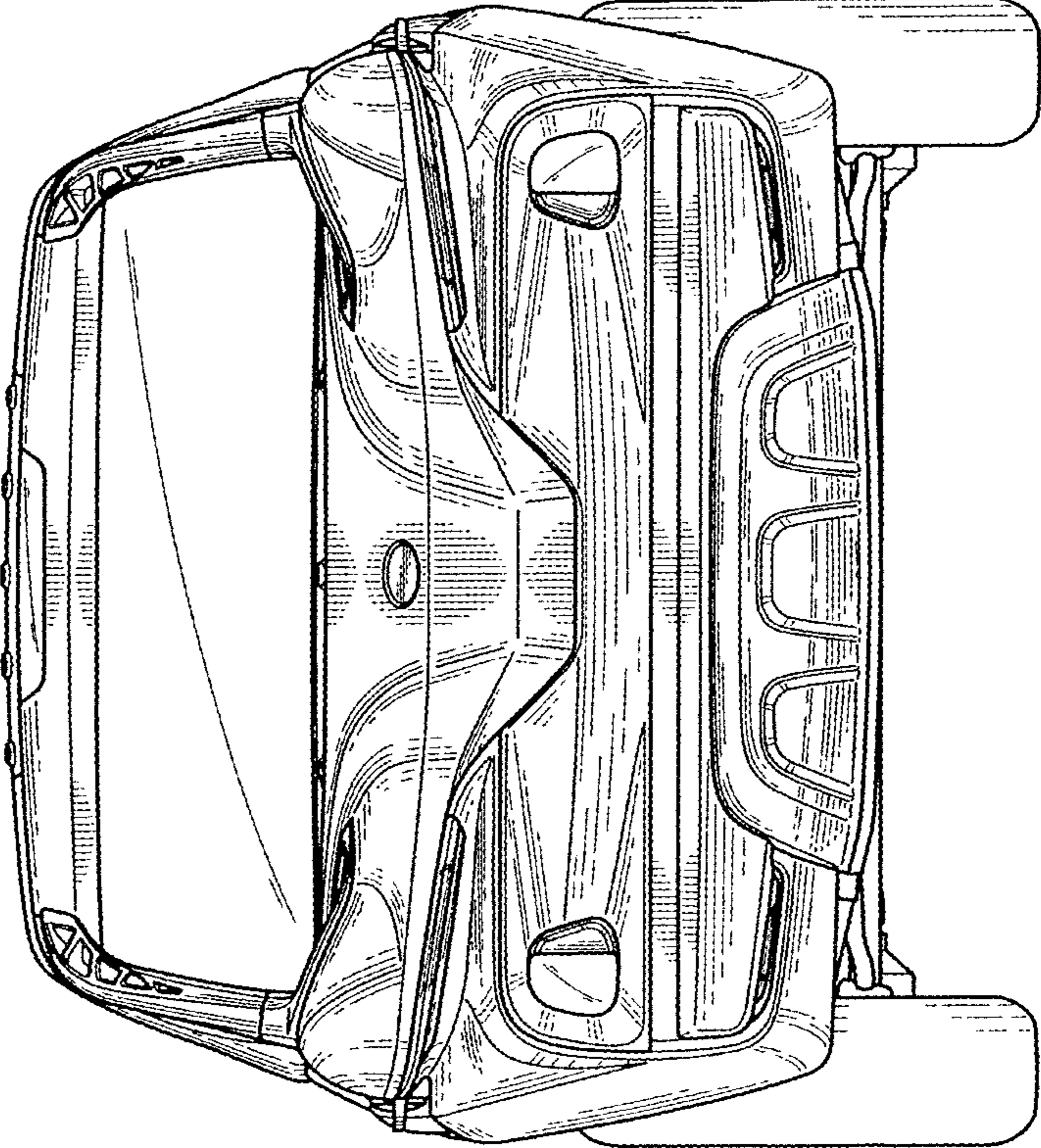




FIG. 6

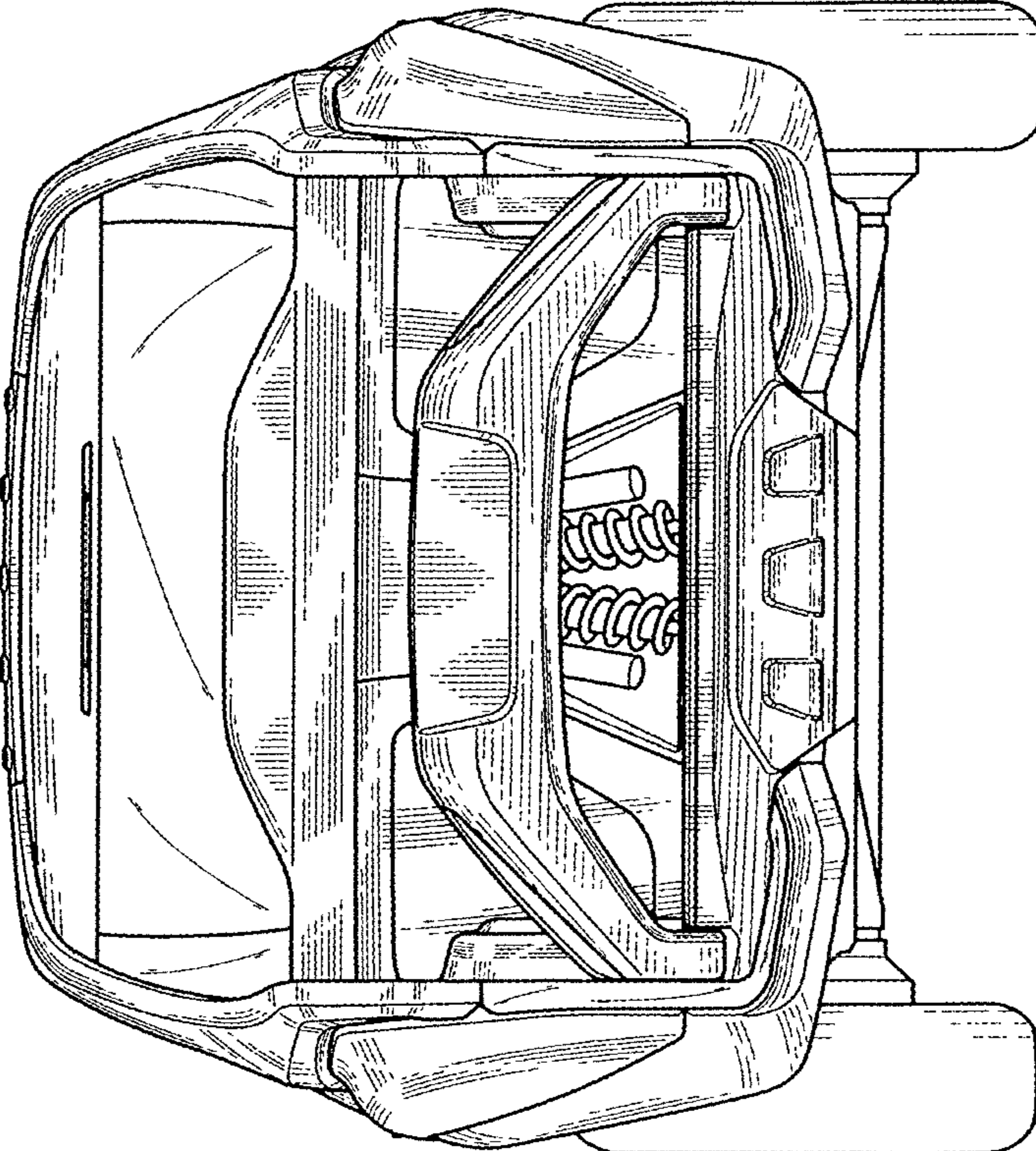


FIG. 7

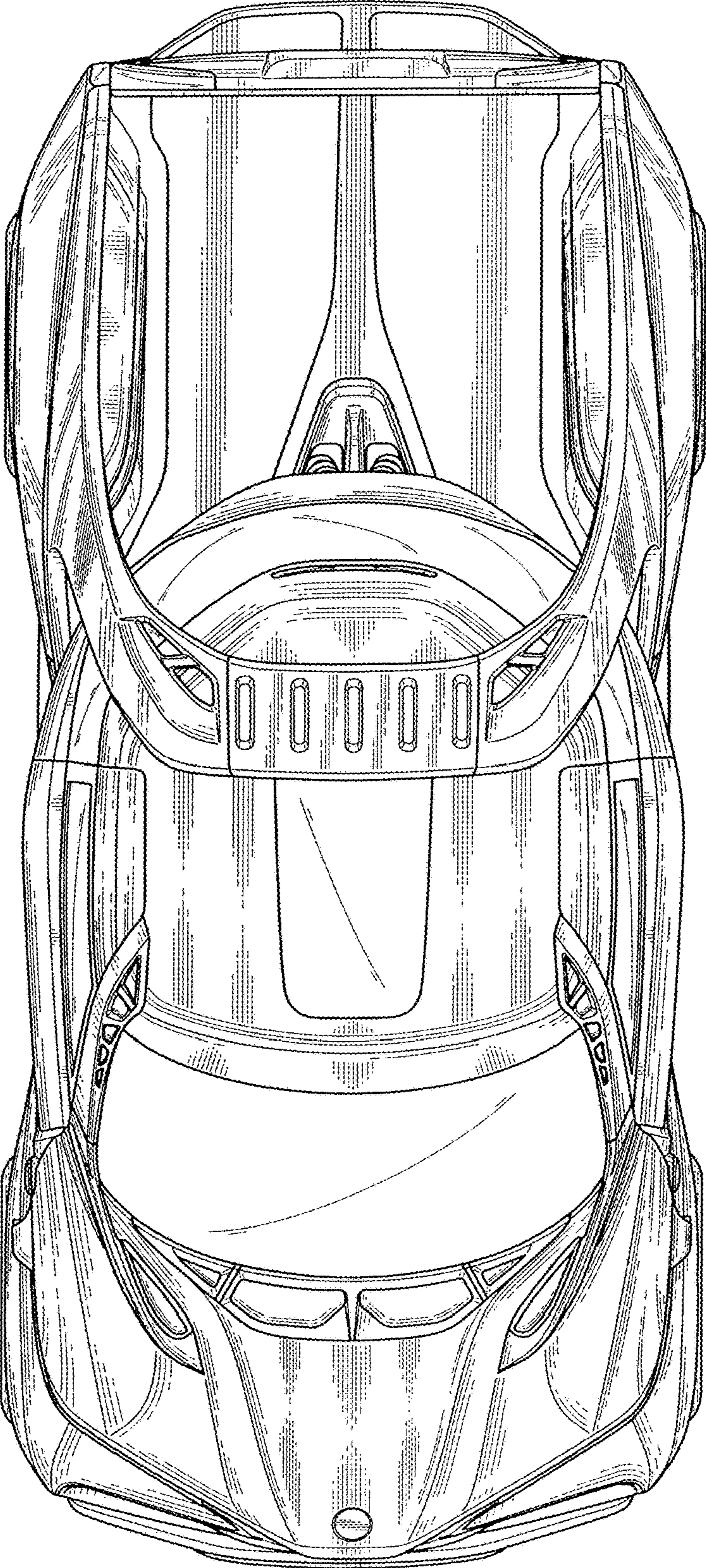




FIG. 8

