



US00D865566S

(12) **United States Design Patent** (10) **Patent No.:** **US D865,566 S**
Jonason et al. (45) **Date of Patent:** **** Nov. 5, 2019**

(54) **AUTOMOBILE BODY**
(71) Applicants: **Laura Jonason**, Troy, MI (US); **Irina Zavatski**, Rochester Hills, MI (US)
(72) Inventors: **Laura Jonason**, Troy, MI (US); **Irina Zavatski**, Rochester Hills, MI (US)
(73) Assignee: **FCA US LLC**, Auburn Hills, MI (US)

D650,721 S * 12/2011 Galante D12/91
D693,737 S * 11/2013 Hammoud D12/91
D703,583 S * 4/2014 Howell D12/91
D711,784 S * 8/2014 Galante D12/91
D723,425 S 3/2015 Glover et al.
D728,425 S 5/2015 Glover et al.
D761,695 S * 7/2016 Faghihzadeh D12/92
D801,861 S * 11/2017 Hubers D12/91
D805,956 S * 12/2017 Galante D12/91
D823,722 S * 7/2018 Hoste D12/91
D847,025 S * 4/2019 Zavatski D12/91

(**) Term: **15 Years**

* cited by examiner

(21) Appl. No.: **29/663,236**

Primary Examiner — Melody N Brown

(22) Filed: **Sep. 13, 2018**

(74) *Attorney, Agent, or Firm* — Ralph E. Smith

(51) **LOC (12) Cl.** **12-08**

(52) **U.S. Cl.**
USPC **D12/91**

(58) **Field of Classification Search**
USPC D12/86, 90–92, 88; D21/424, 433, 434,
D21/533; 296/181.1–181.5, 183.1
CPC B62D 25/00; B62D 25/06; B62D 33/00;
B62D 35/00
See application file for complete search history.

(57) **CLAIM**

The ornamental design for an automobile body, as shown and described.

DESCRIPTION

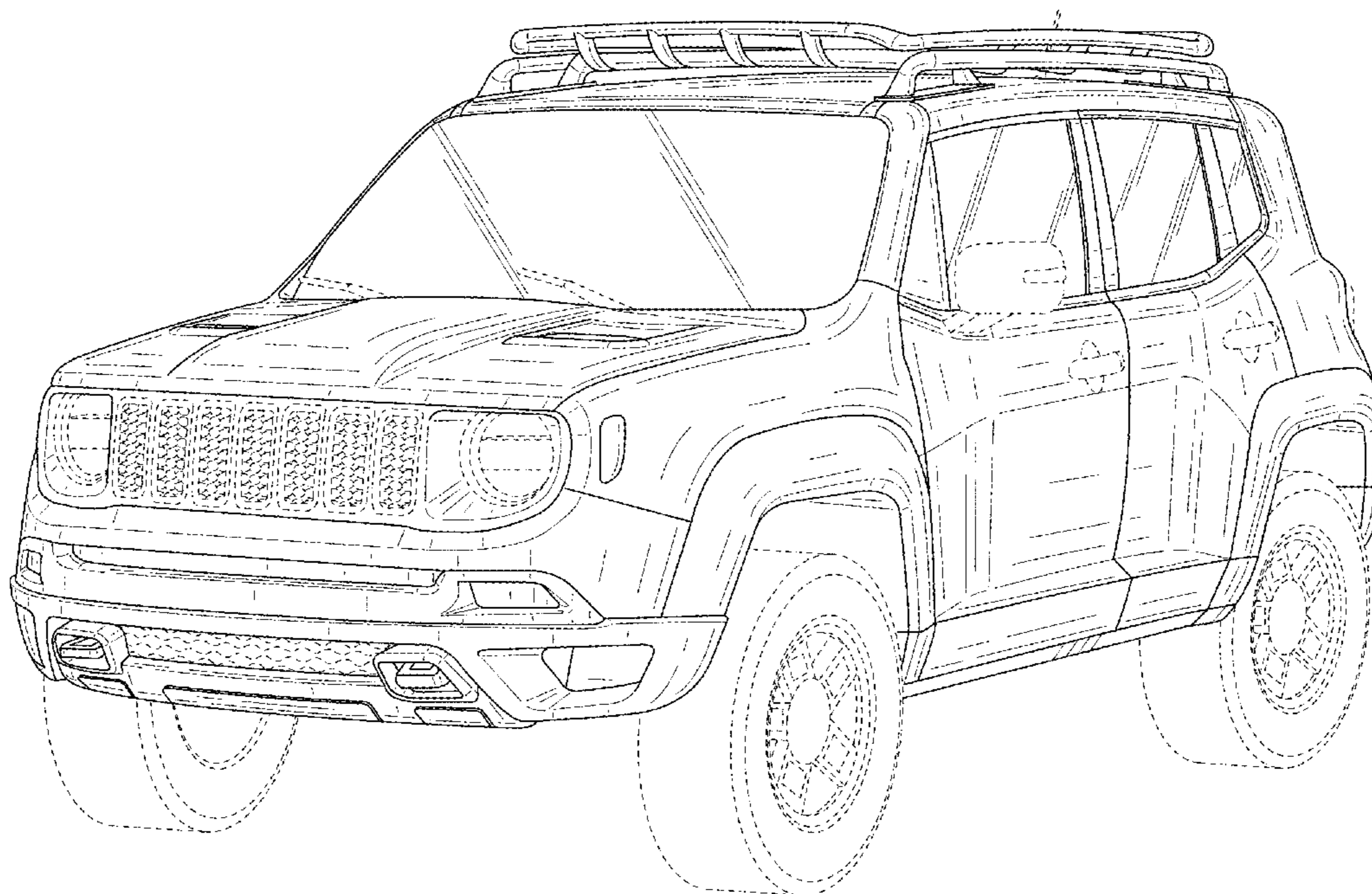
FIG. 1 is a front perspective view of an automobile body showing our new design;
FIG. 2 is a rear perspective view thereof;
FIG. 3 is a front view thereof;
FIG. 4 is a back view thereof;
FIG. 5 is a side view thereof; and,
FIG. 6 is a top plan view thereof.
It will be understood that the broken lines shown in the drawings illustrate portions of the automobile body that form no part of claimed design.

(56) **References Cited**

U.S. PATENT DOCUMENTS

D420,939 S * 2/2000 Faurote D12/91
D500,460 S * 1/2005 Allen D12/91
D534,097 S * 12/2006 Renkert D12/91
D551,124 S * 9/2007 Aneiros D12/92

1 Claim, 6 Drawing Sheets



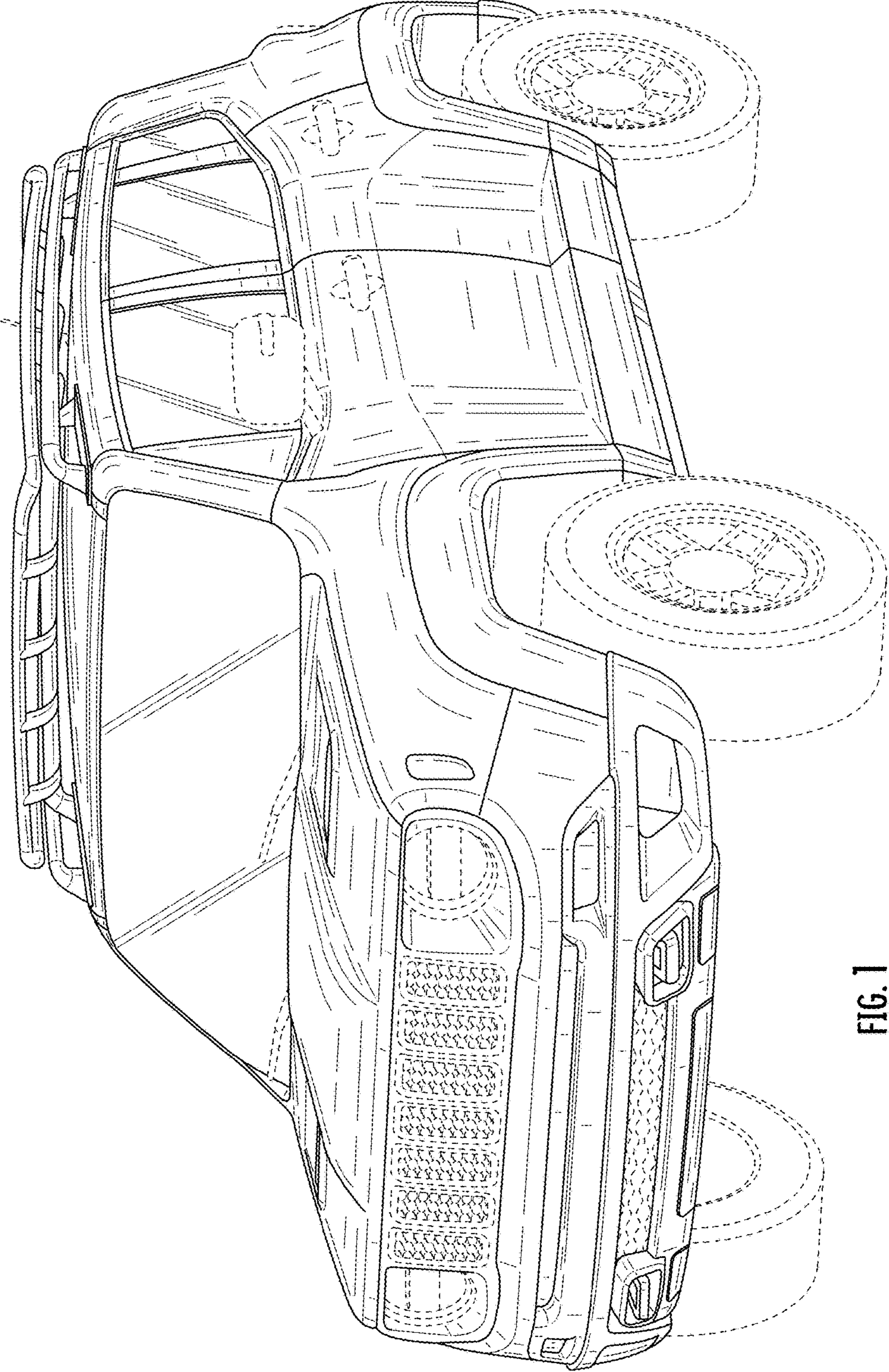


FIG. 1

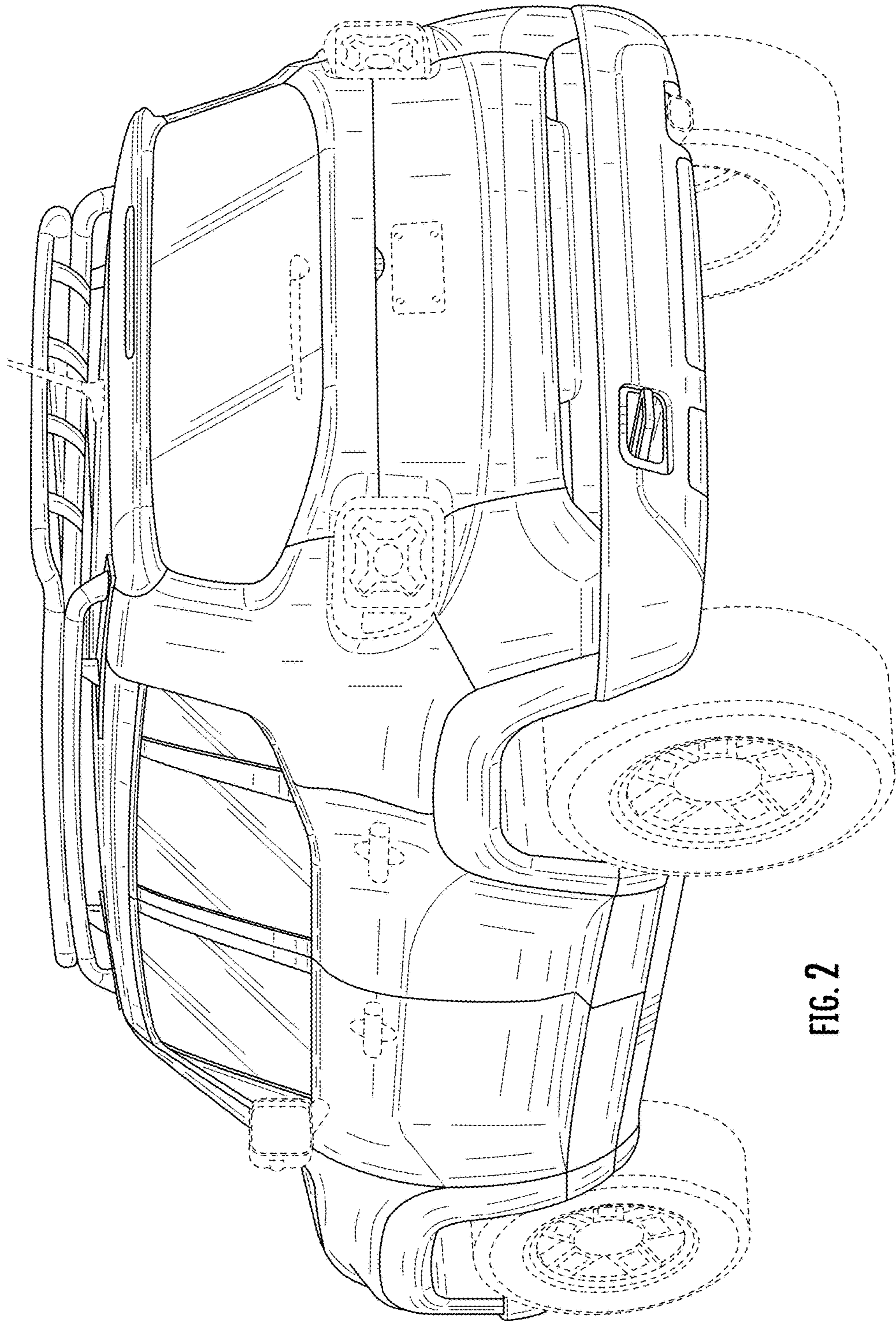


FIG. 2

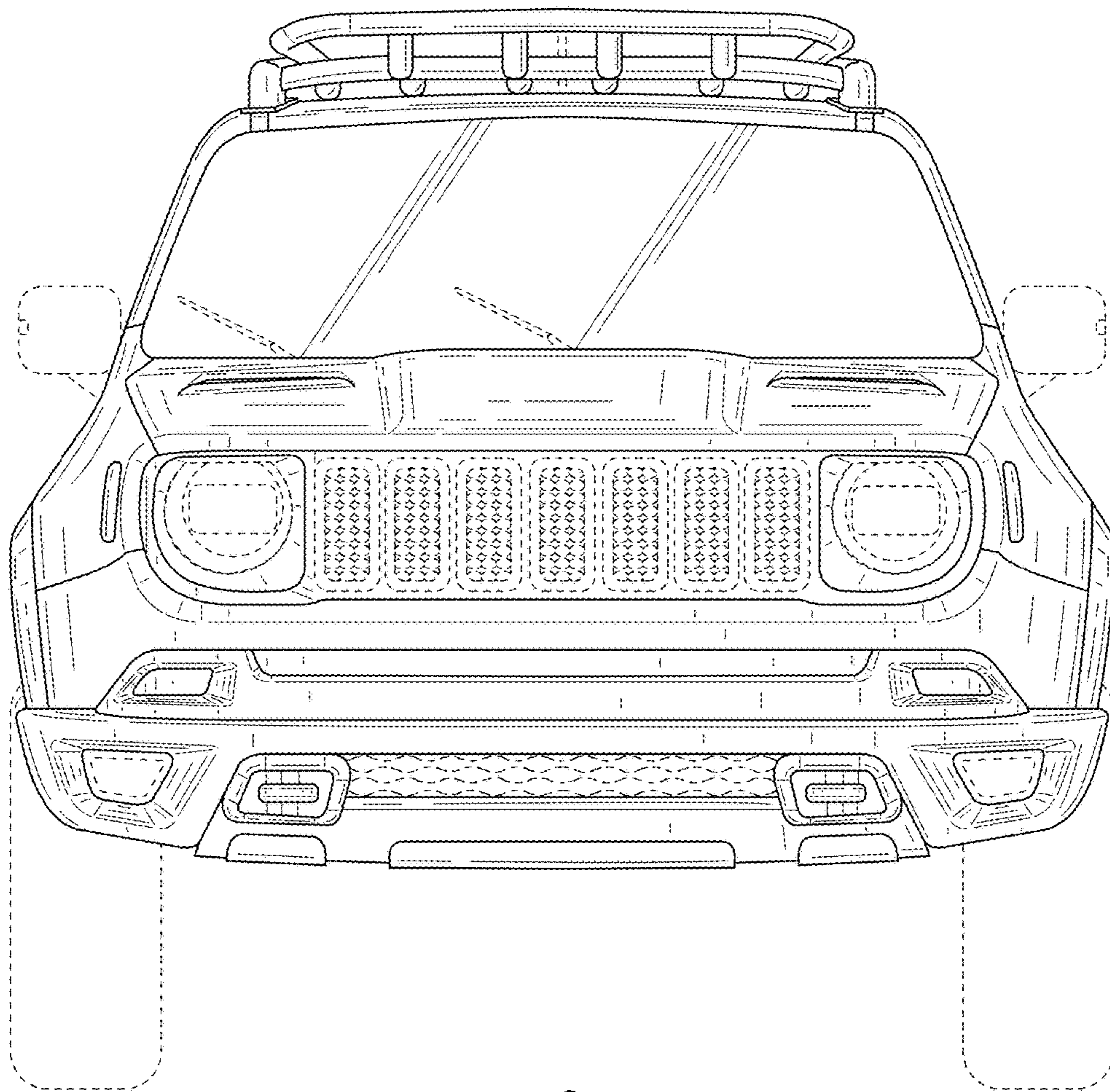


FIG. 3

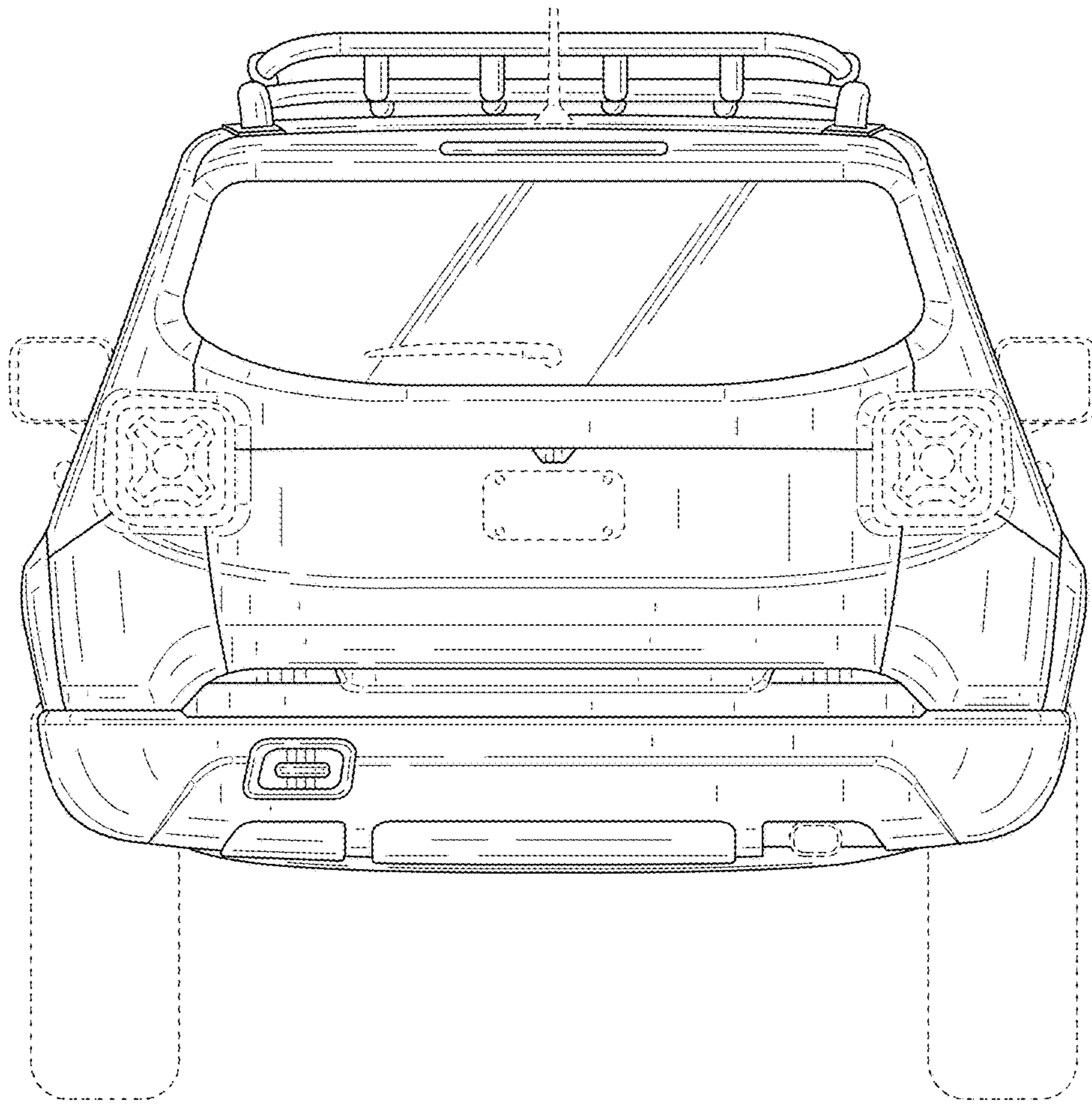


FIG. 4

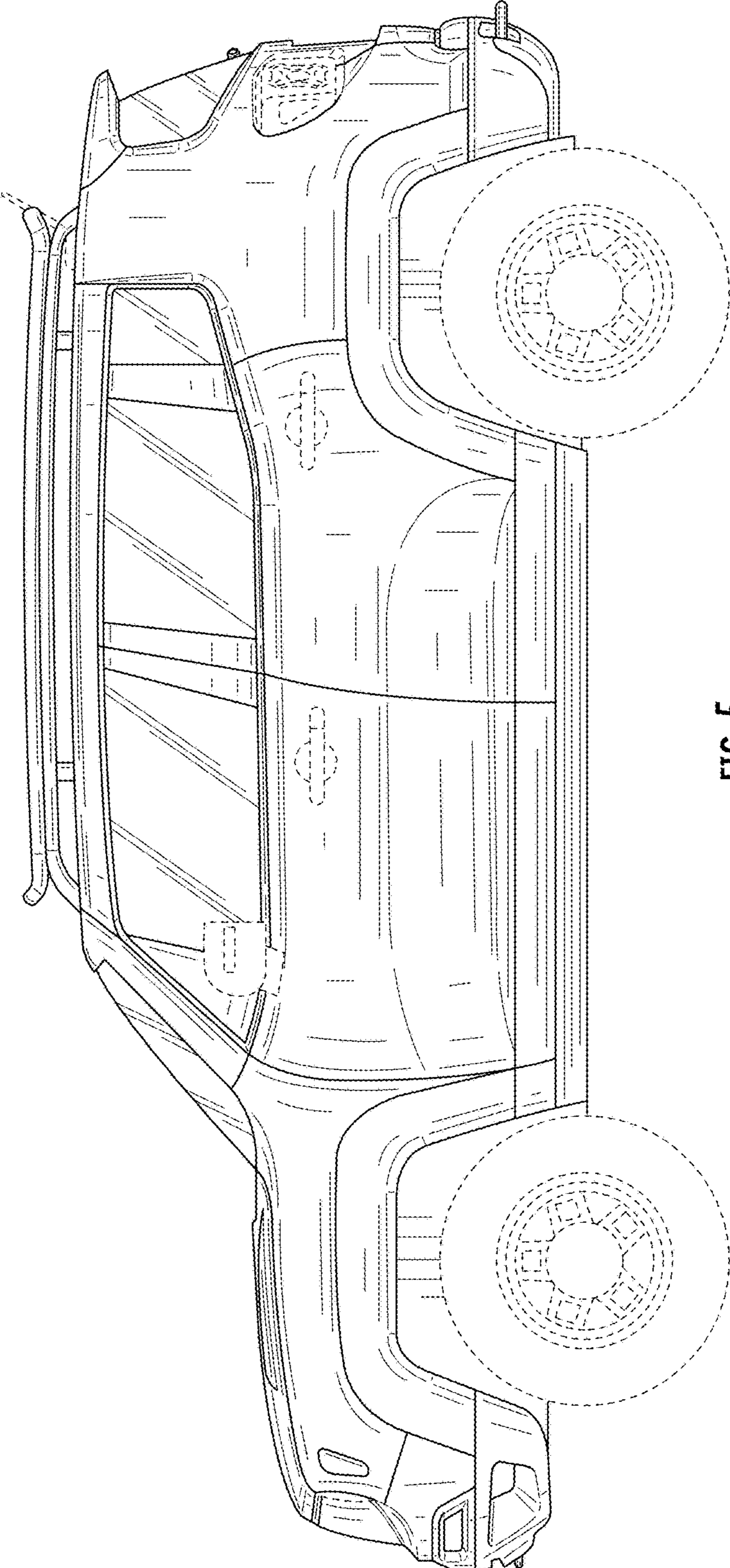


FIG. 5

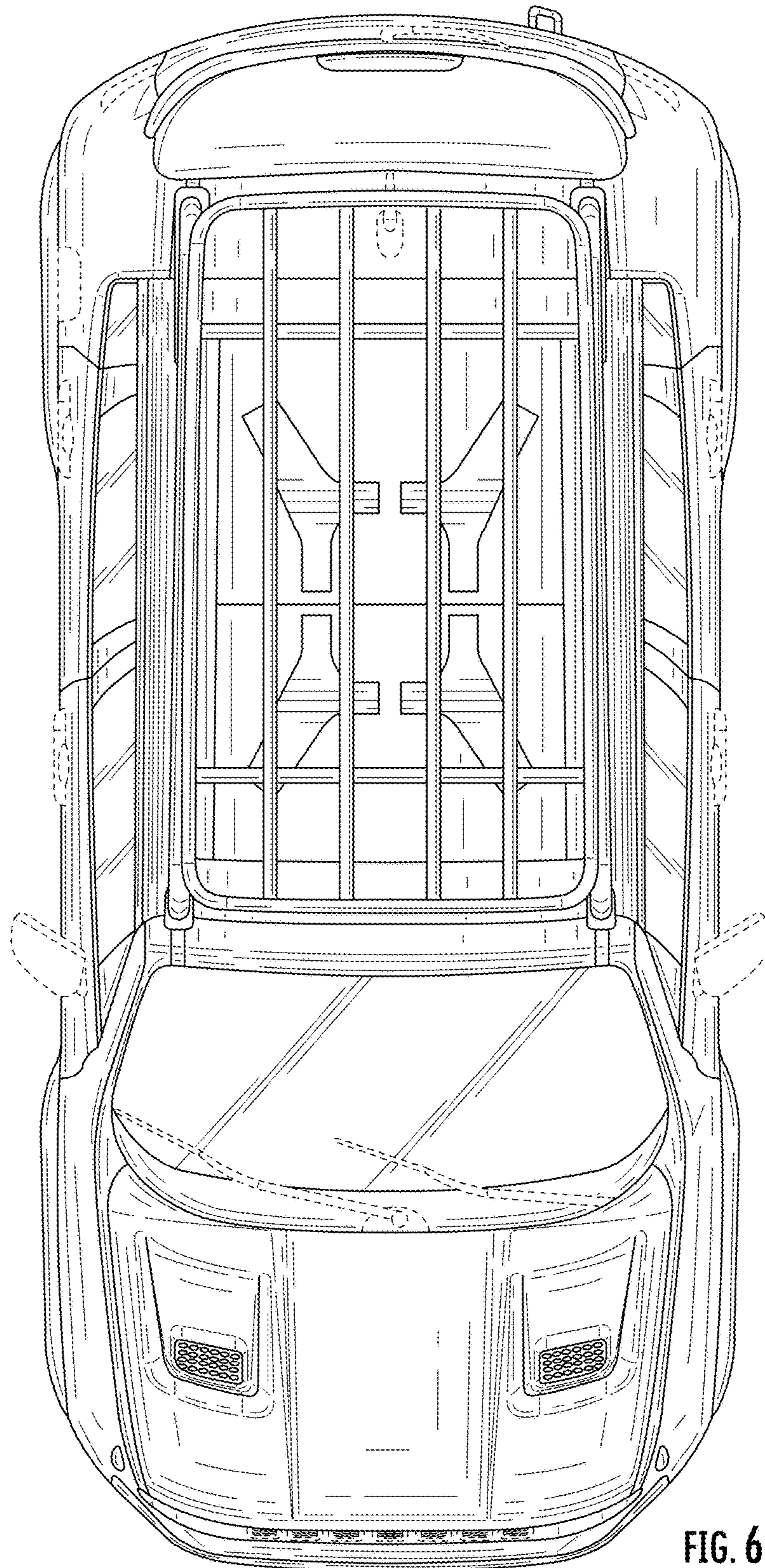


FIG. 6