



US00D865563S

(12) **United States Design Patent** (10) **Patent No.:** **US D865,563 S**
Matsumoto (45) **Date of Patent:** **** Nov. 5, 2019**

(54) **MOTOR VEHICLE AND/OR TOY REPLICA THEREOF**

(71) Applicant: **Koichi Matsumoto**, Toyota (JP)

(72) Inventor: **Koichi Matsumoto**, Toyota (JP)

(73) Assignee: **TOYOTA JIDOSHA KABUSHIKI KAISHA** (JP)

(**) Term: **15 Years**

(21) Appl. No.: **29/638,588**

(22) Filed: **Feb. 28, 2018**

(30) **Foreign Application Priority Data**

Dec. 27, 2017 (JP) 2017-029202

(51) **LOC (12) Cl.** **12-08**

(52) **U.S. Cl.**
USPC **D12/88**

(58) **Field of Classification Search**
USPC D12/86, 90-92, 88; D21/421, 433, 434;
296/181.1, 181.5

CPC B62D 35/00; B62D 25/00; B62D 25/06;
B62D 33/00
See application file for complete search history.

(56) **References Cited**

U.S. PATENT DOCUMENTS

D469,387 S * 1/2003 Ramaciotti D12/88
D491,843 S * 6/2004 Giugiaro D12/88
D753,549 S * 4/2016 Manzoni D12/88

D772,106 S * 11/2016 Hitzinger D12/88
D774,947 S * 12/2016 Anscheidt D12/88
D790,398 S * 6/2017 Perini D12/88
D790,402 S * 6/2017 Perini D12/88
D801,857 S * 11/2017 Kim D12/88
D813,725 S * 3/2018 Filippini D12/86
D826,089 S * 8/2018 Lesnik D12/88

OTHER PUBLICATIONS

Toyota Gazoo Racing, Toyota TS050 (2017), <<https://toyotagazooracing.com>>, available as early as Dec. 13, 2017.
Netcarshow, Aston Martin Valkyrie (2018), <https://www.netcarshow.com/aston_martin/2018-valkyrie/>, available as early as Dec. 13, 2017.

* cited by examiner

Primary Examiner — Melody N Brown

(74) *Attorney, Agent, or Firm* — Saidman DesignLaw Group, LLC

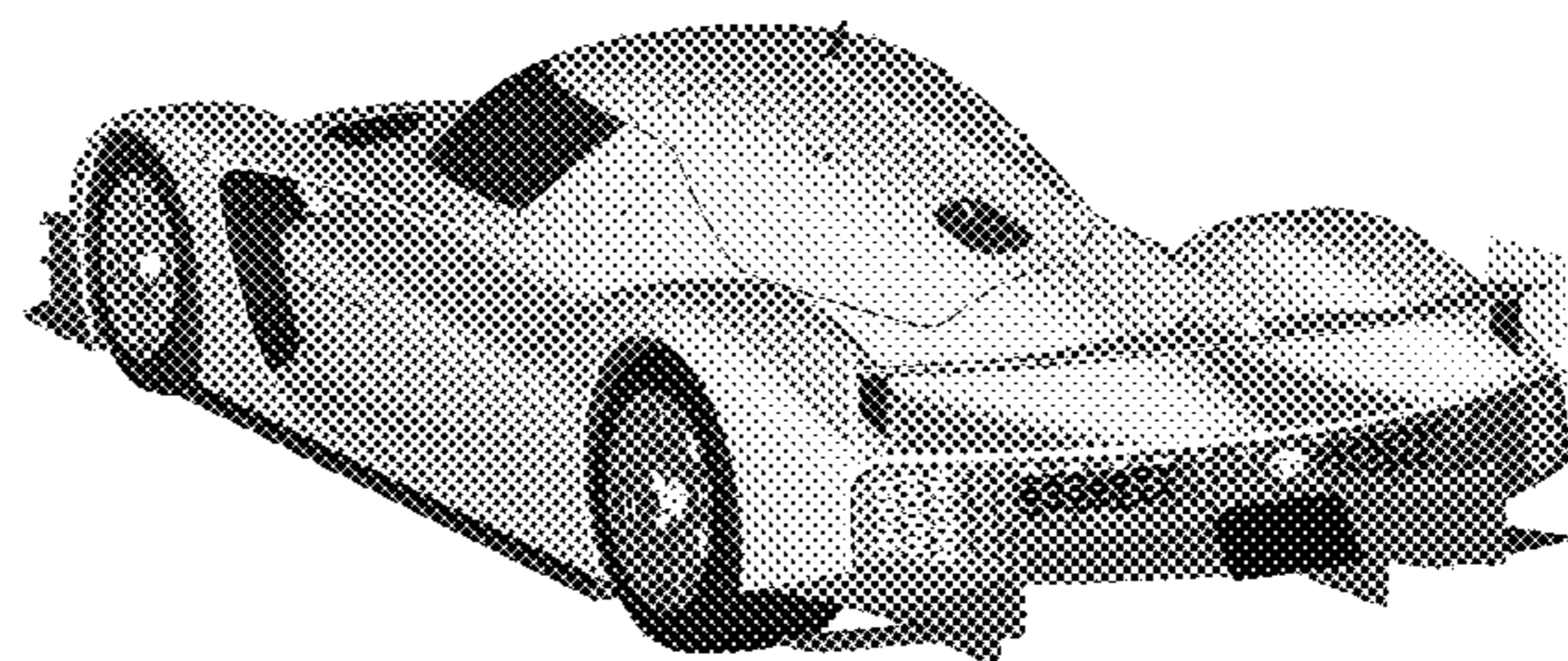
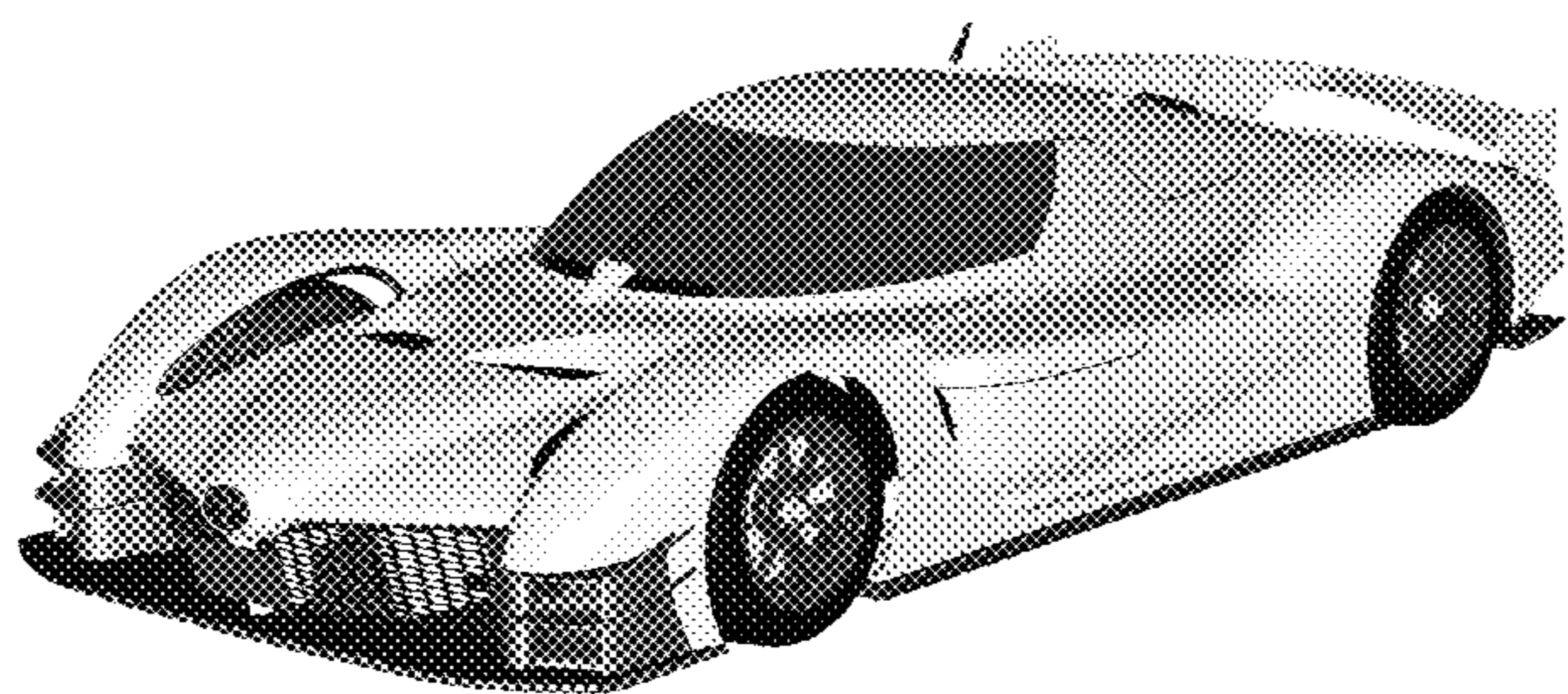
(57) **CLAIM**

The ornamental design for a motor vehicle and/or toy replica thereof, as shown and described.

DESCRIPTION

FIG. 1 is a front perspective view of a motor vehicle and/or toy replica thereof showing my new design;
FIG. 2 is a rear perspective view thereof;
FIG. 3 is a front view thereof;
FIG. 4 is a rear view thereof;
FIG. 5 is a right side view thereof;
FIG. 6 is a left side view thereof; and,
FIG. 7 is a top view thereof.

1 Claim, 7 Drawing Sheets



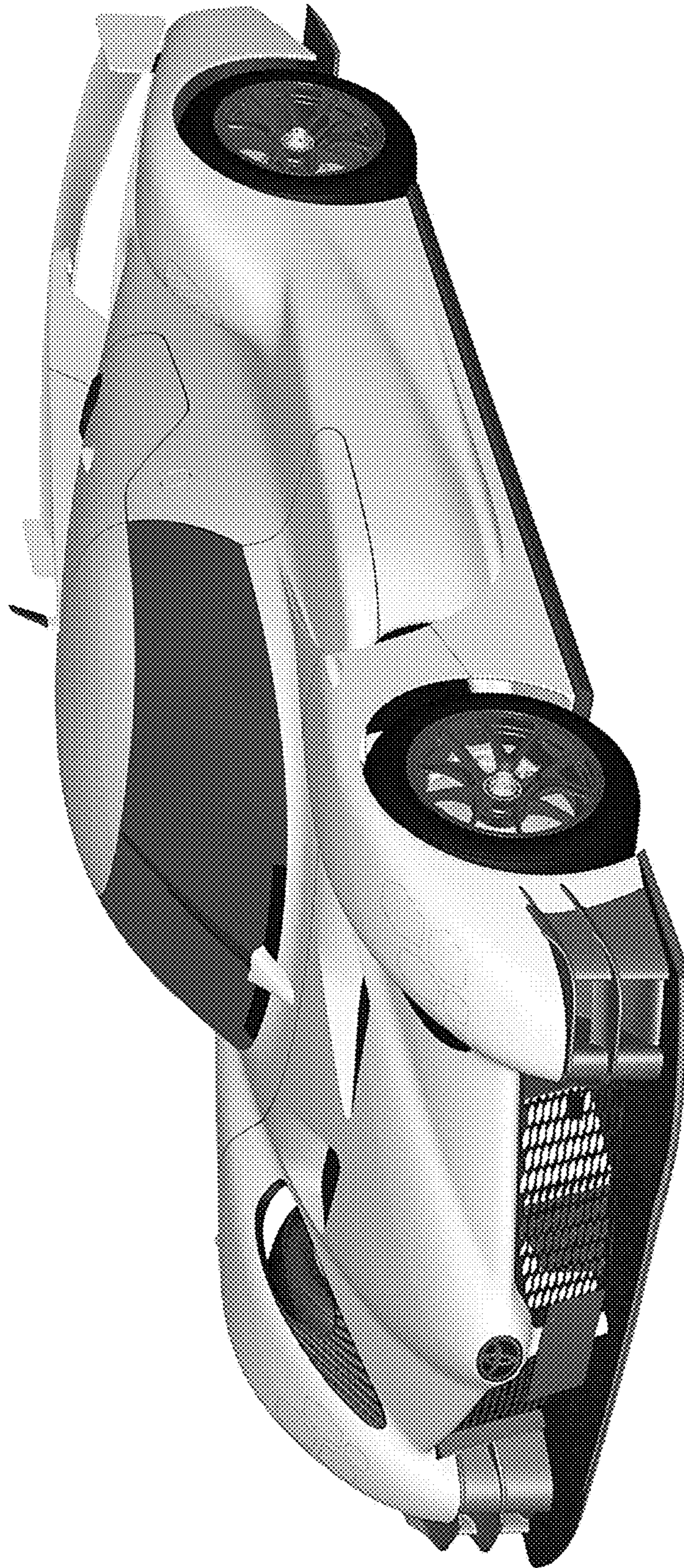


FIG. 1



FIG. 2

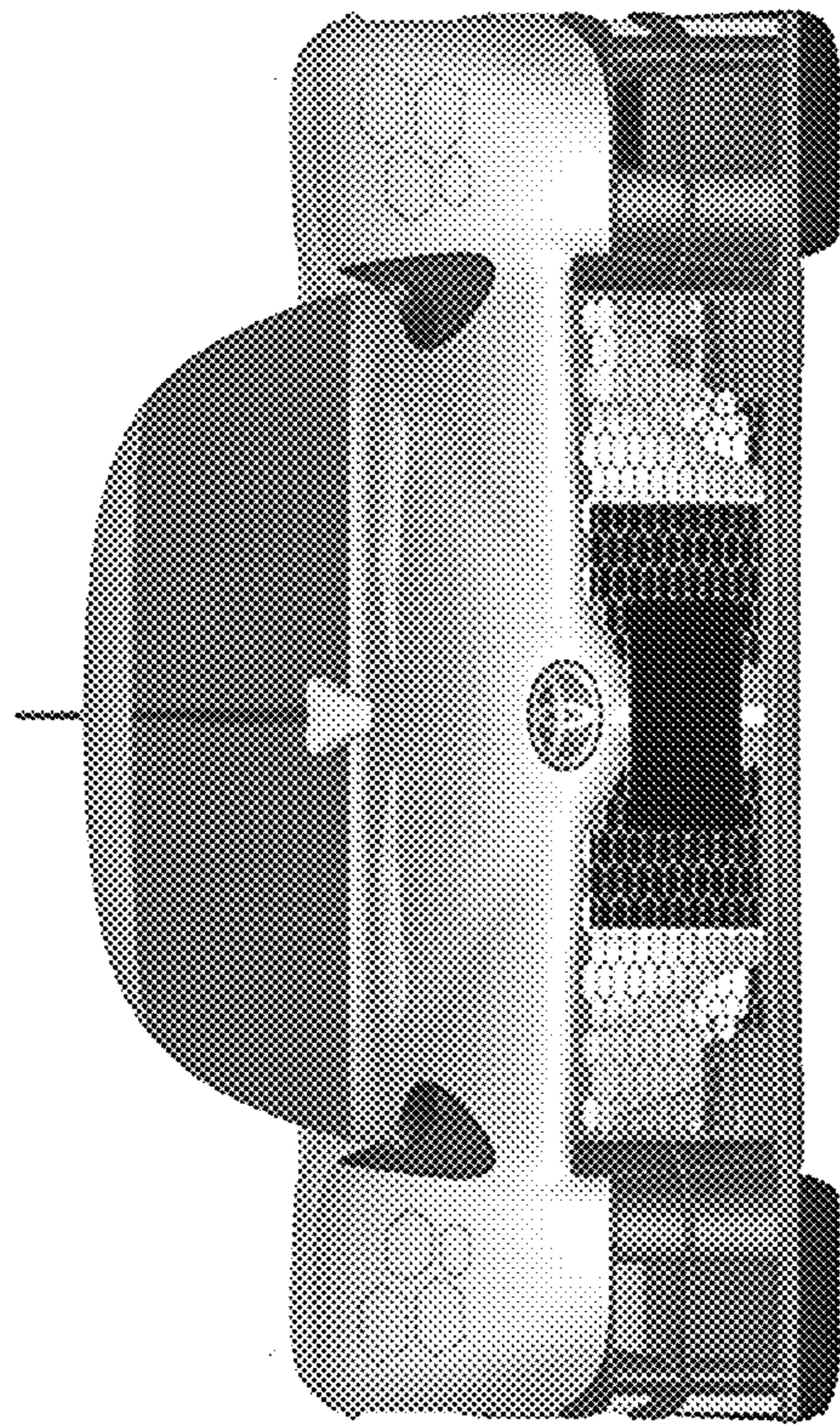


FIG. 3

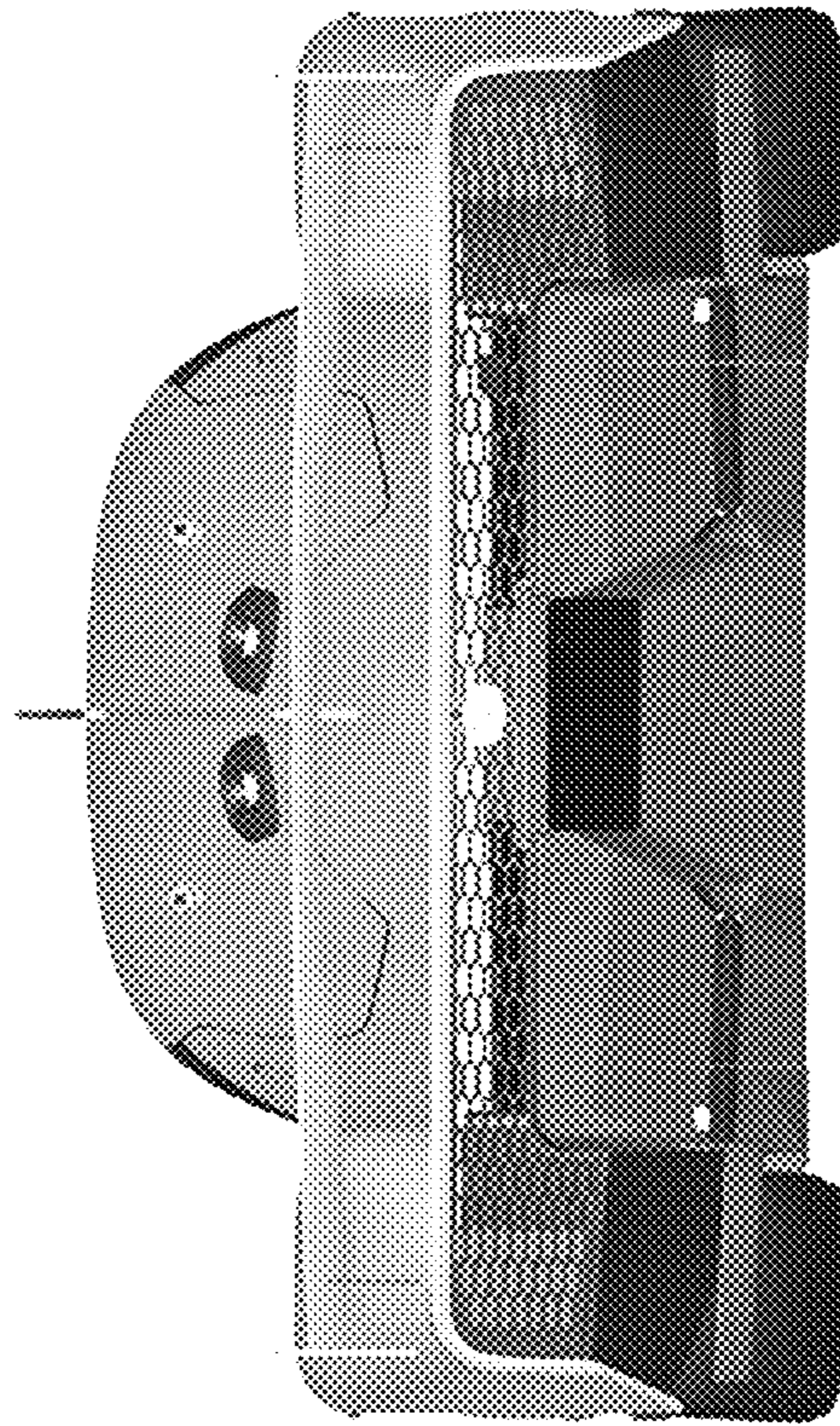


FIG. 4

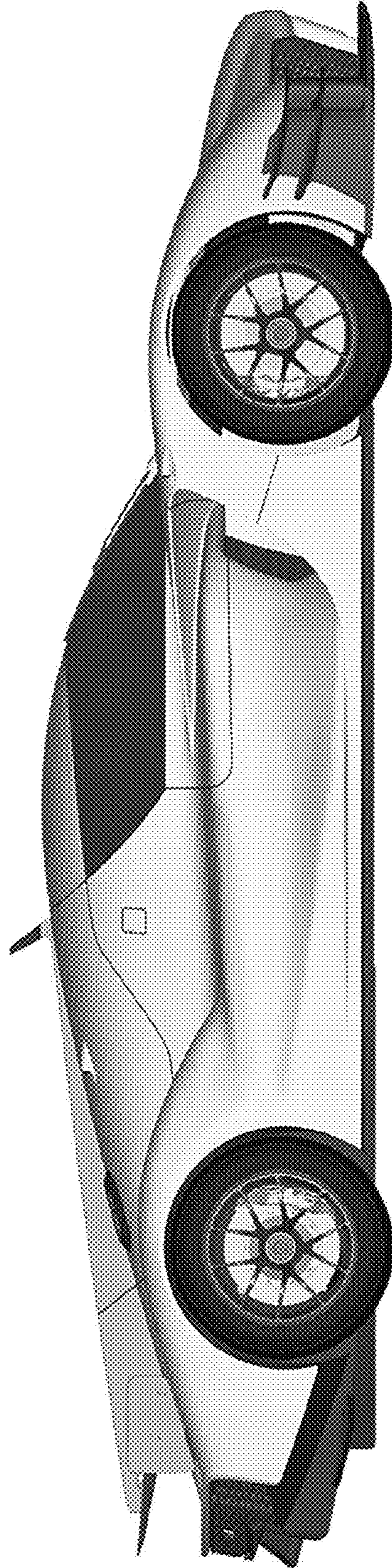


FIG. 5

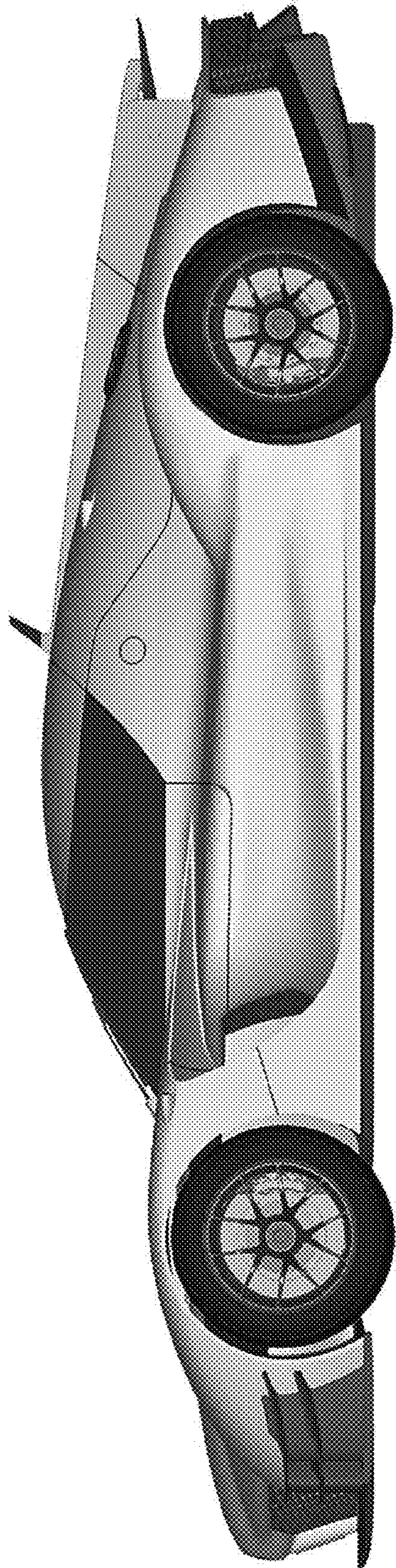


FIG. 6

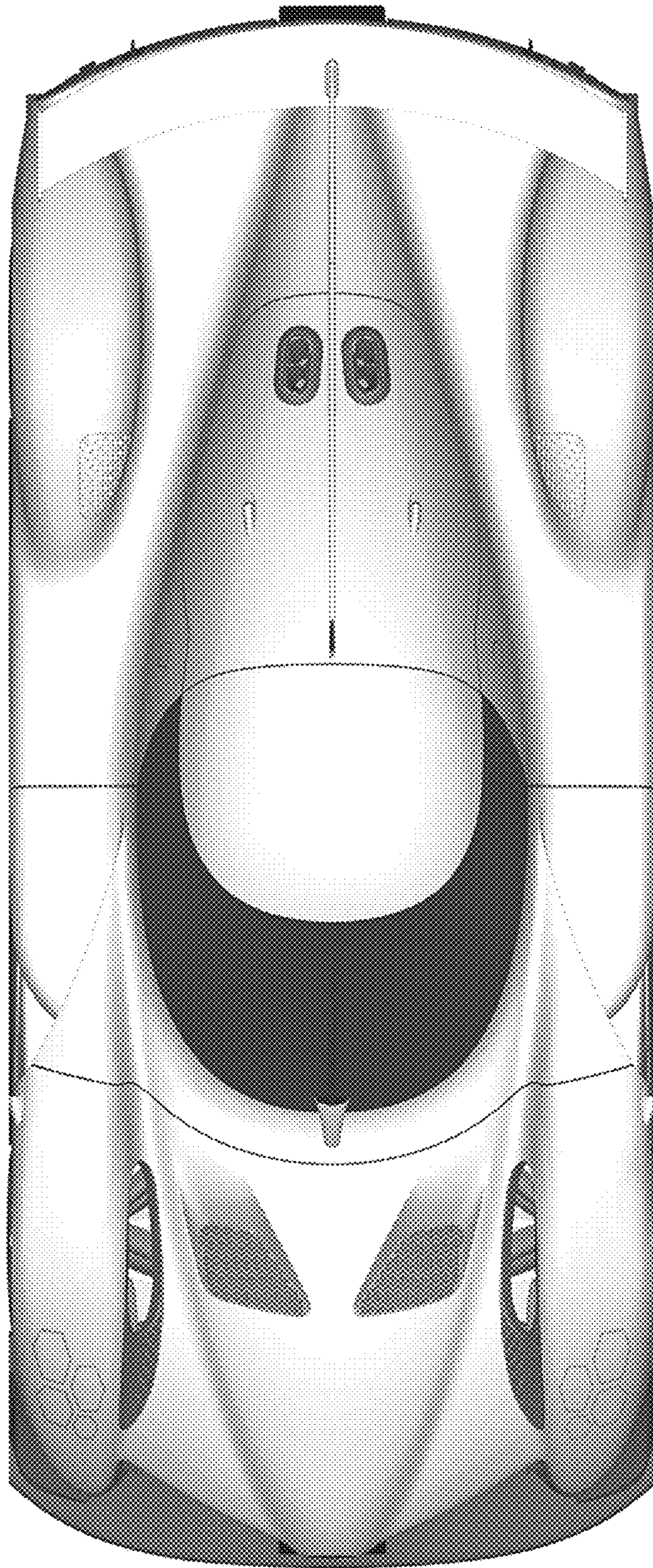


FIG. 7