



US00D865562S

(12) **United States Design Patent** (10) **Patent No.:** **US D865,562 S**  
**Kobayashi et al.** (45) **Date of Patent:** **\*\* Nov. 5, 2019**

(54) **FRONT STRUCTURE OF A UTILITY VEHICLE**  
(71) Applicant: **Kawasaki Jukogyo Kabushiki Kaisha**,  
Kobe-shi, Hyogo (JP)  
(72) Inventors: **Minoru Kobayashi**, Kakogawa (JP);  
**Hidefumi Yasuhara**, Foothill Ranch,  
CA (US)  
(73) Assignee: **KAWASAKI JUKOGO KABUSHIKI**  
**KAISHA (JP)**

D716,694 S 11/2014 Higashikawa  
D734,689 S 7/2015 Hashimoto  
D737,724 S 9/2015 Schroeder et al.  
D762,517 S 8/2016 Hashimoto et al.  
D764,349 S \* 8/2016 Kuramoto ..... D12/14  
D767,444 S 9/2016 Chun et al.  
D810,619 S 2/2018 Hashimoto  
D814,347 S \* 4/2018 Kushita ..... D12/14  
D819,492 S \* 6/2018 Flores ..... D12/14  
2014/0144719 A1 \* 5/2014 Morgan ..... B60K 1/00  
180/65.31  
2016/0167715 A1 6/2016 Kosuge et al.  
2017/0327156 A1 11/2017 Tsumiyama et al.

(\*\*) Term: **15 Years**

\* cited by examiner

(21) Appl. No.: **29/670,738**

*Primary Examiner* — Michelle E. Wilson  
*Assistant Examiner* — Ania Aman

(22) Filed: **Nov. 19, 2018**

(57) **CLAIM**

**Related U.S. Application Data**

The ornamental design for a front structure of a utility vehicle, as shown and described.

(63) Continuation-in-part of application No. 29/605,891,  
filed on May 31, 2017, now abandoned.

**DESCRIPTION**

(51) **LOC (12) Cl.** ..... **12-13**  
(52) **U.S. Cl.**  
USPC ..... **D12/14**

(58) **Field of Classification Search**  
USPC ..... D12/14, 15, 16, 86, 87, 85, 1, 163, 167  
CPC ..... B62D 25/10; B62D 25/168; B62D 25/12;  
B60R 19/52; B60R 2019/525; B60R  
2019/527; B60R 19/56; B60R 2019/522  
See application file for complete search history.

FIG. 1 is a front elevational view of a front structure of a utility vehicle showing our new design;  
FIG. 2 is a rear elevational view thereof;  
FIG. 3 is a left side elevational view thereof;  
FIG. 4 is a right side elevational view thereof;  
FIG. 5 is a top plan view thereof;  
FIG. 6 is a bottom plan view thereof;  
FIG. 7 is a front and left side high isometric view thereof;  
FIG. 8 is a rear and right side low isometric view thereof;  
and,

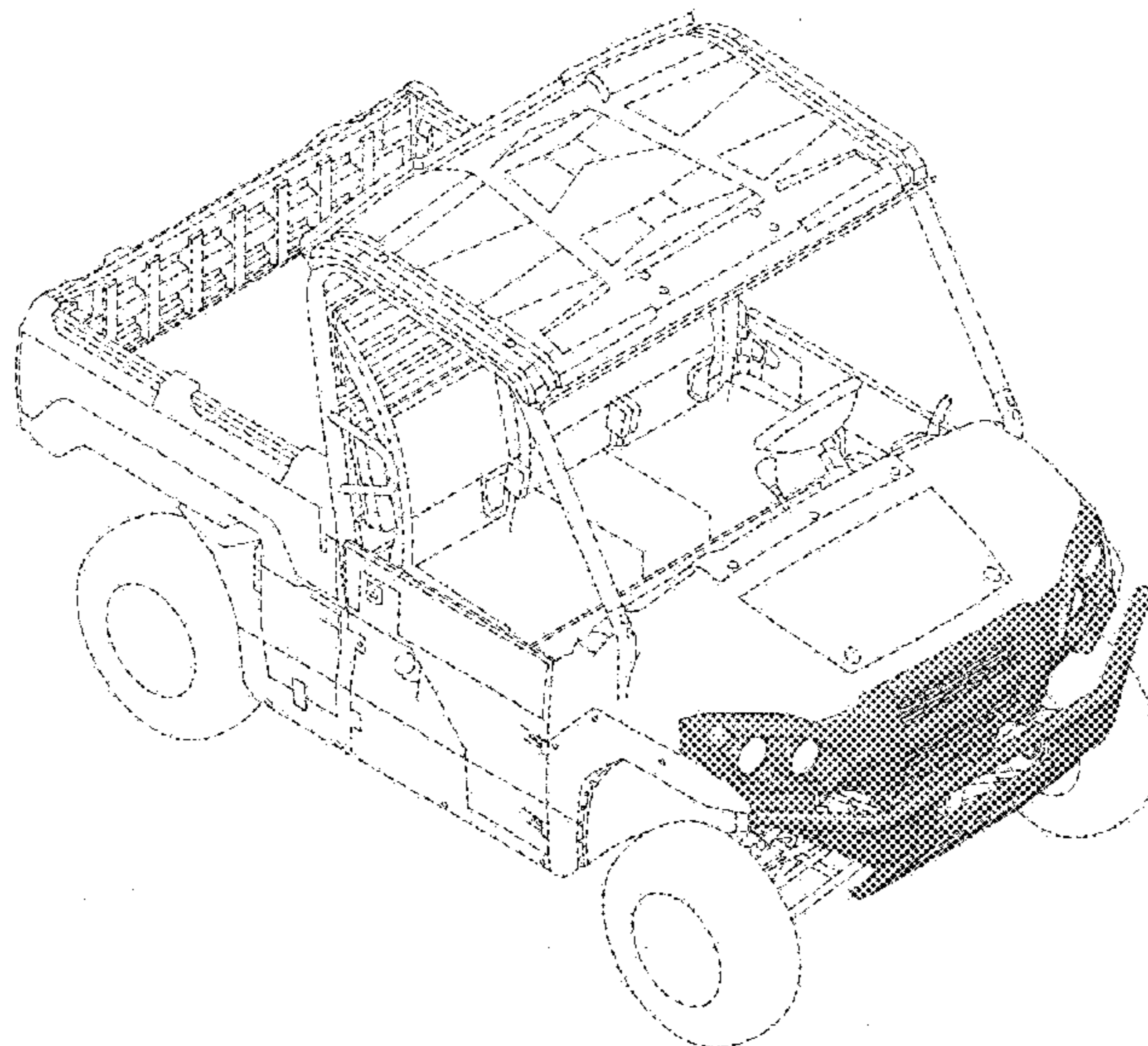
(56) **References Cited**

**U.S. PATENT DOCUMENTS**

D636,704 S 4/2011 Yoo et al.  
D642,493 S \* 8/2011 Goebert ..... D12/87  
D670,198 S 11/2012 Li  
D682,737 S 5/2013 Li  
D714,186 S 9/2014 Wu et al.

FIG. 9 is a front and left side high isometric view of the front structure, shown in position of use in the utility vehicle.  
The broken line shown in FIG. 9 are for the purpose of illustrating portions of the article and form no part of the claimed design.

**1 Claim, 9 Drawing Sheets**



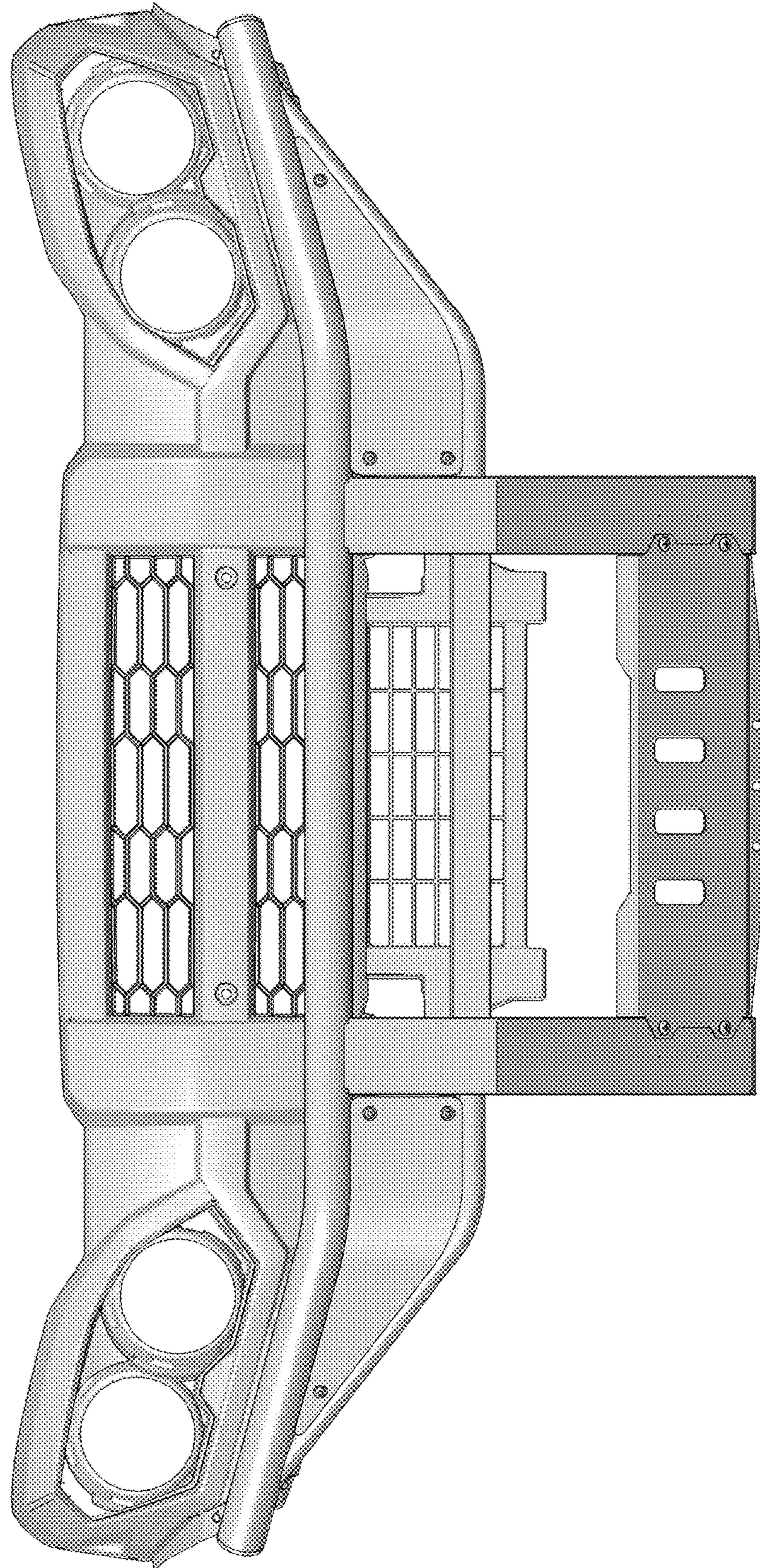


Fig. 1

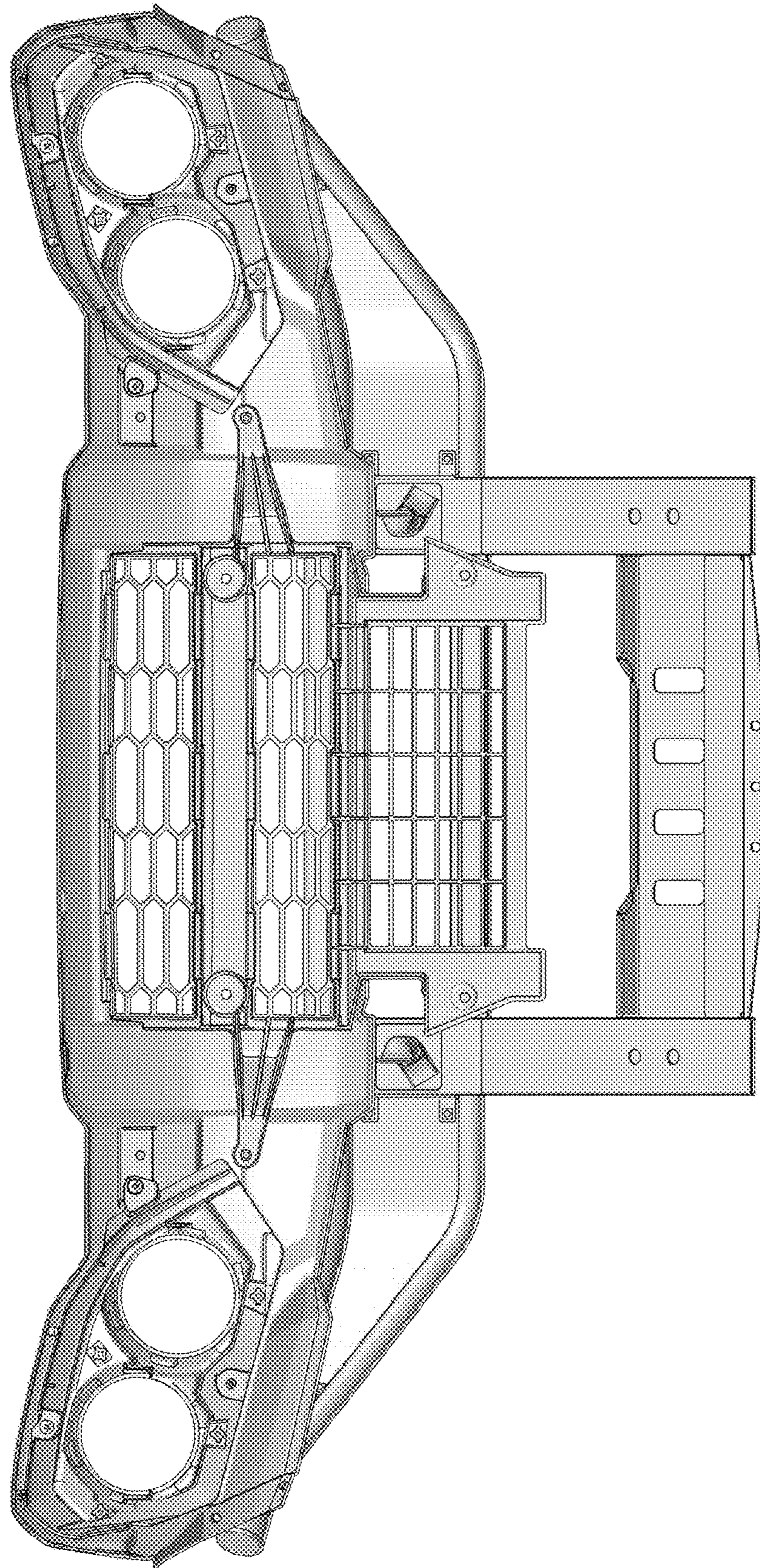


Fig. 2

Fig. 3

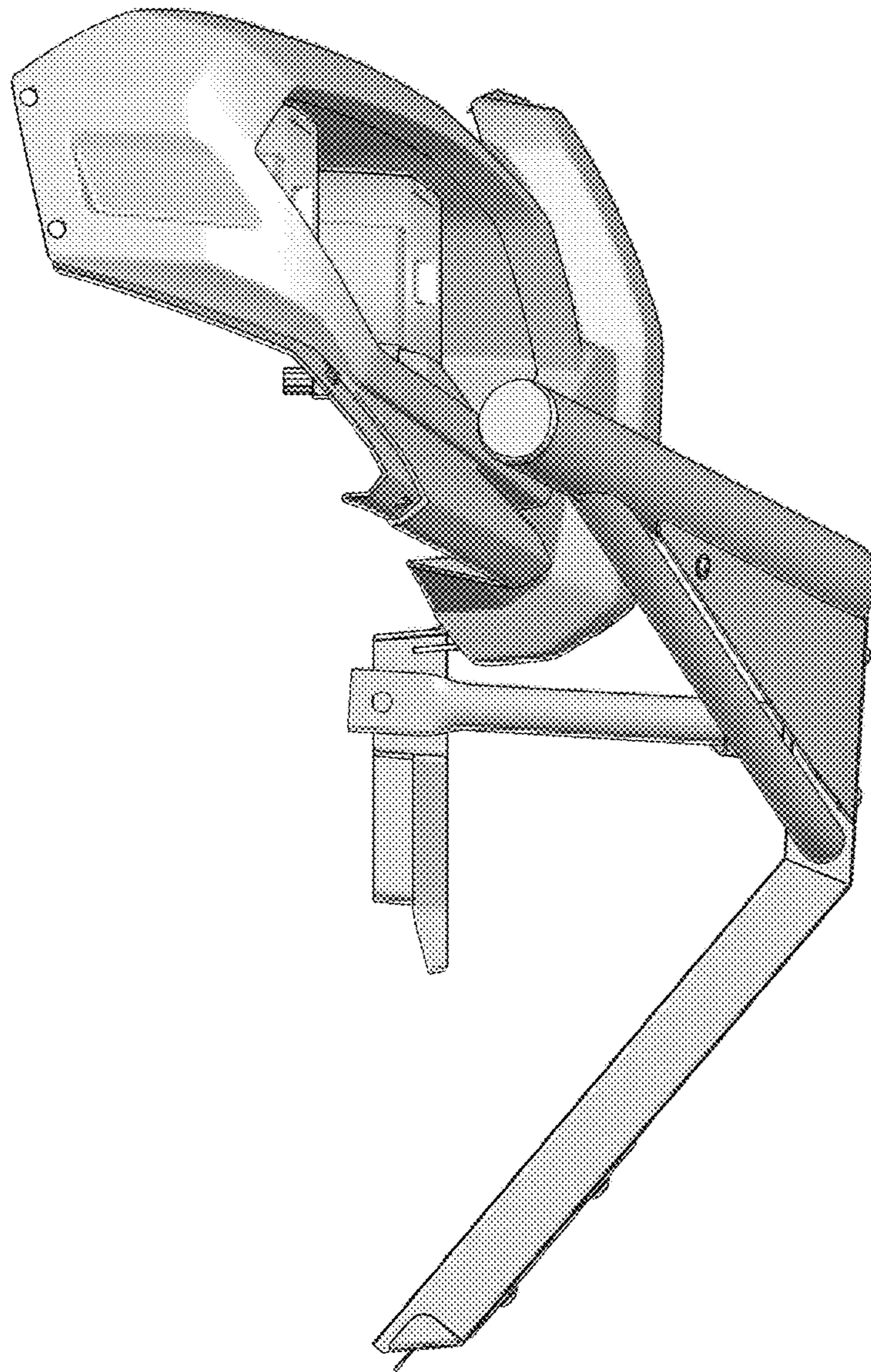
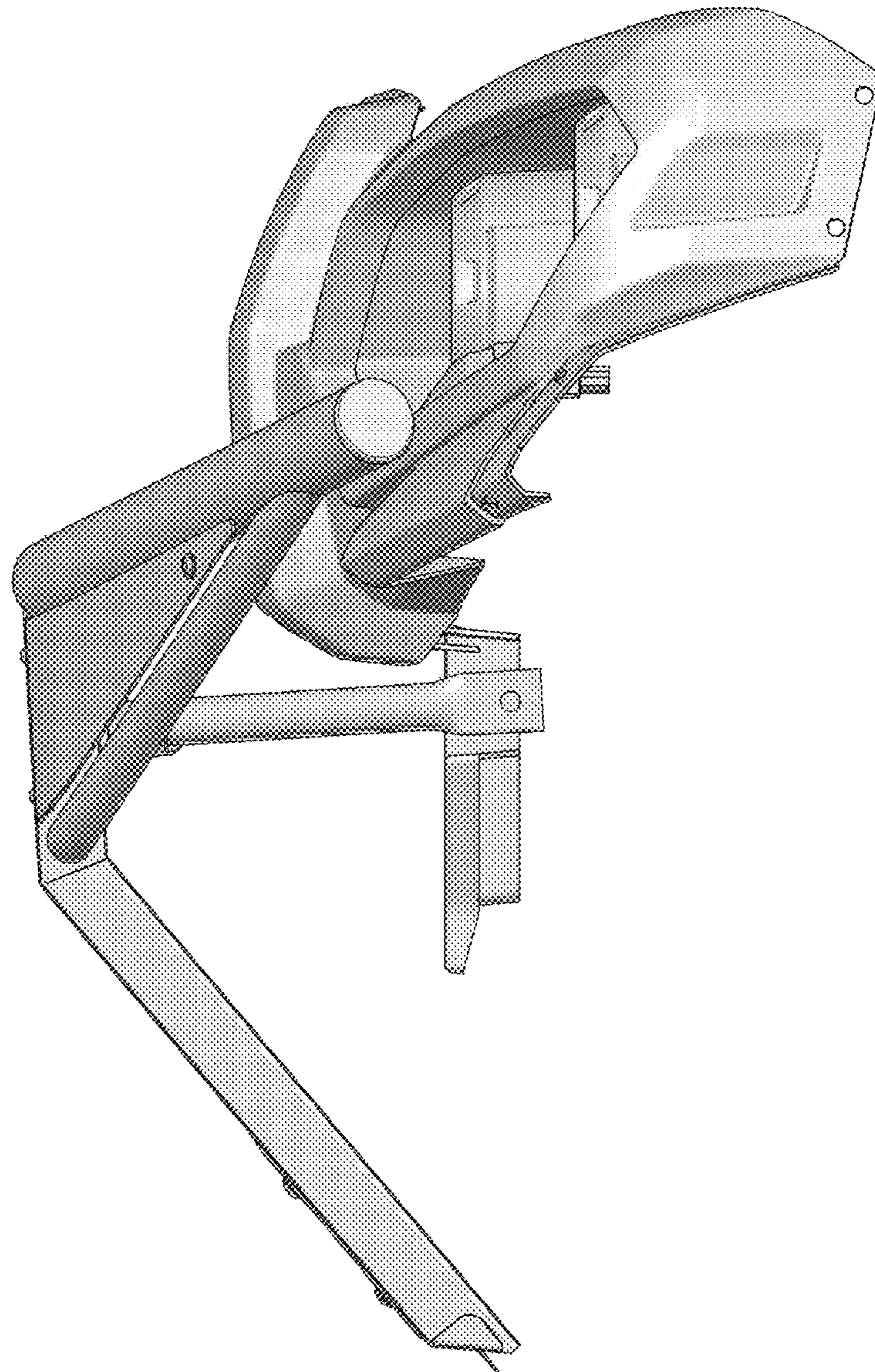


Fig. 4



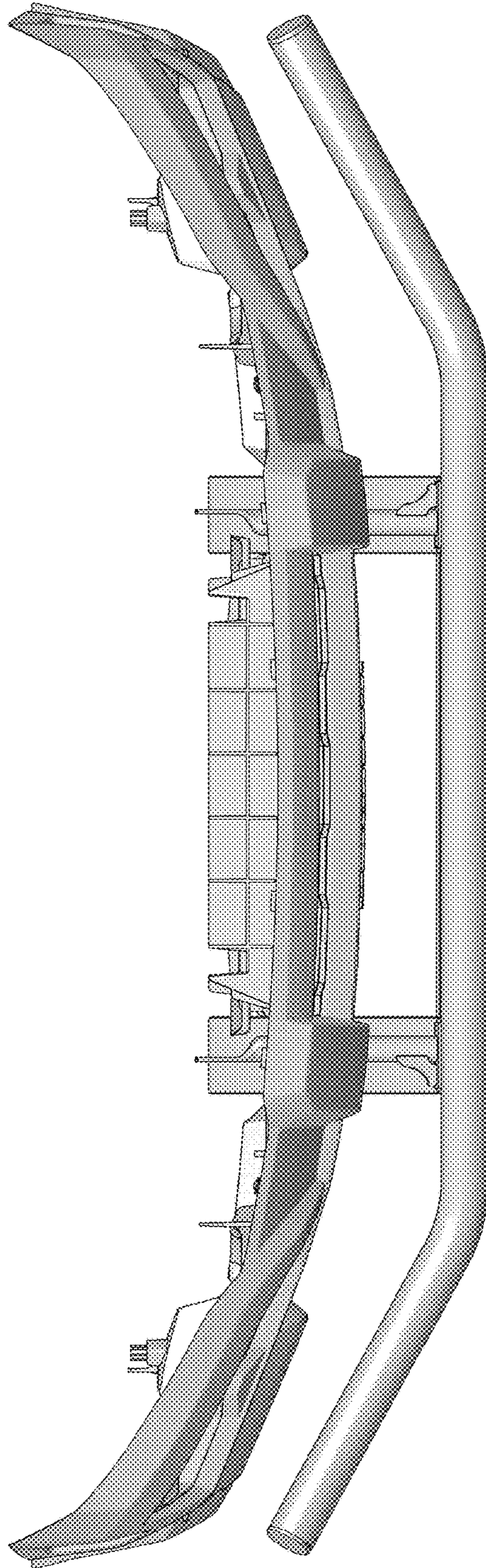


Fig. 5

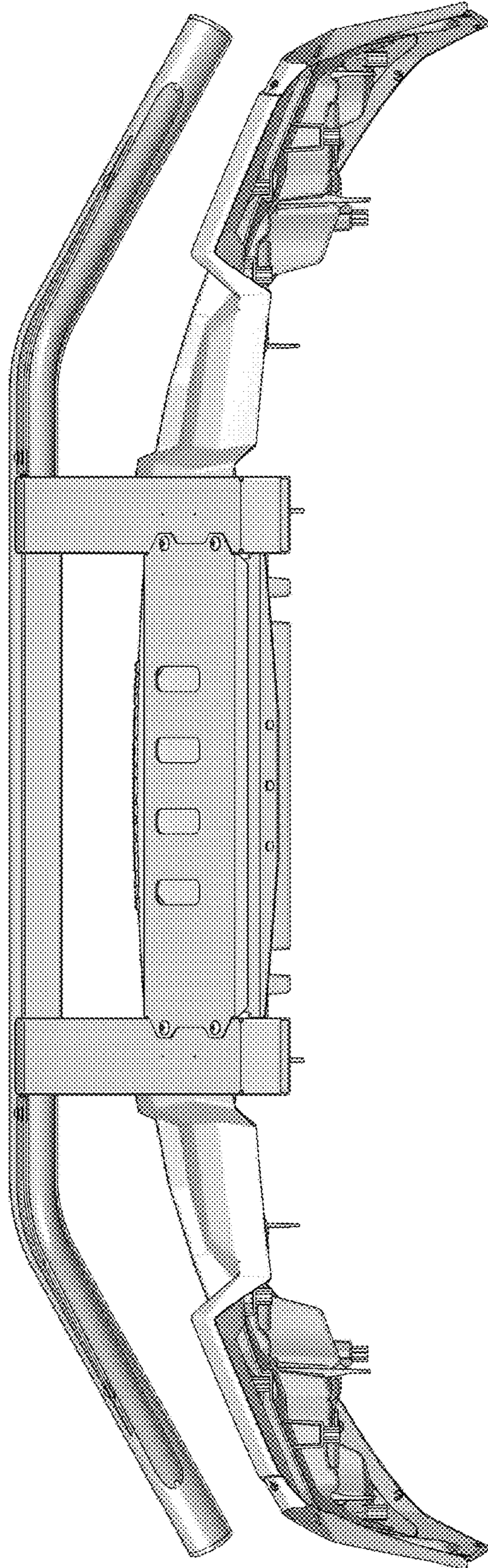


Fig. 6

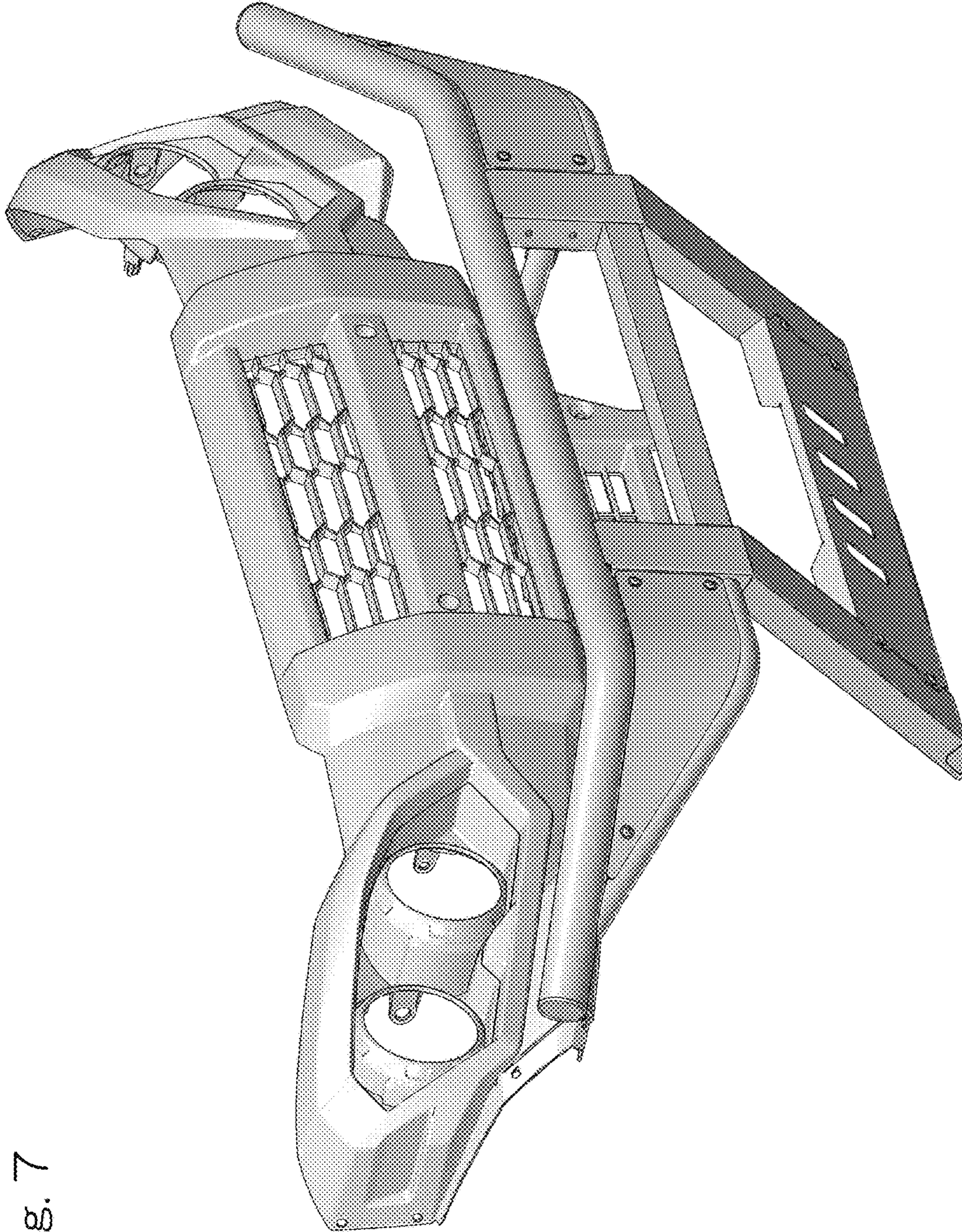


Fig. 7



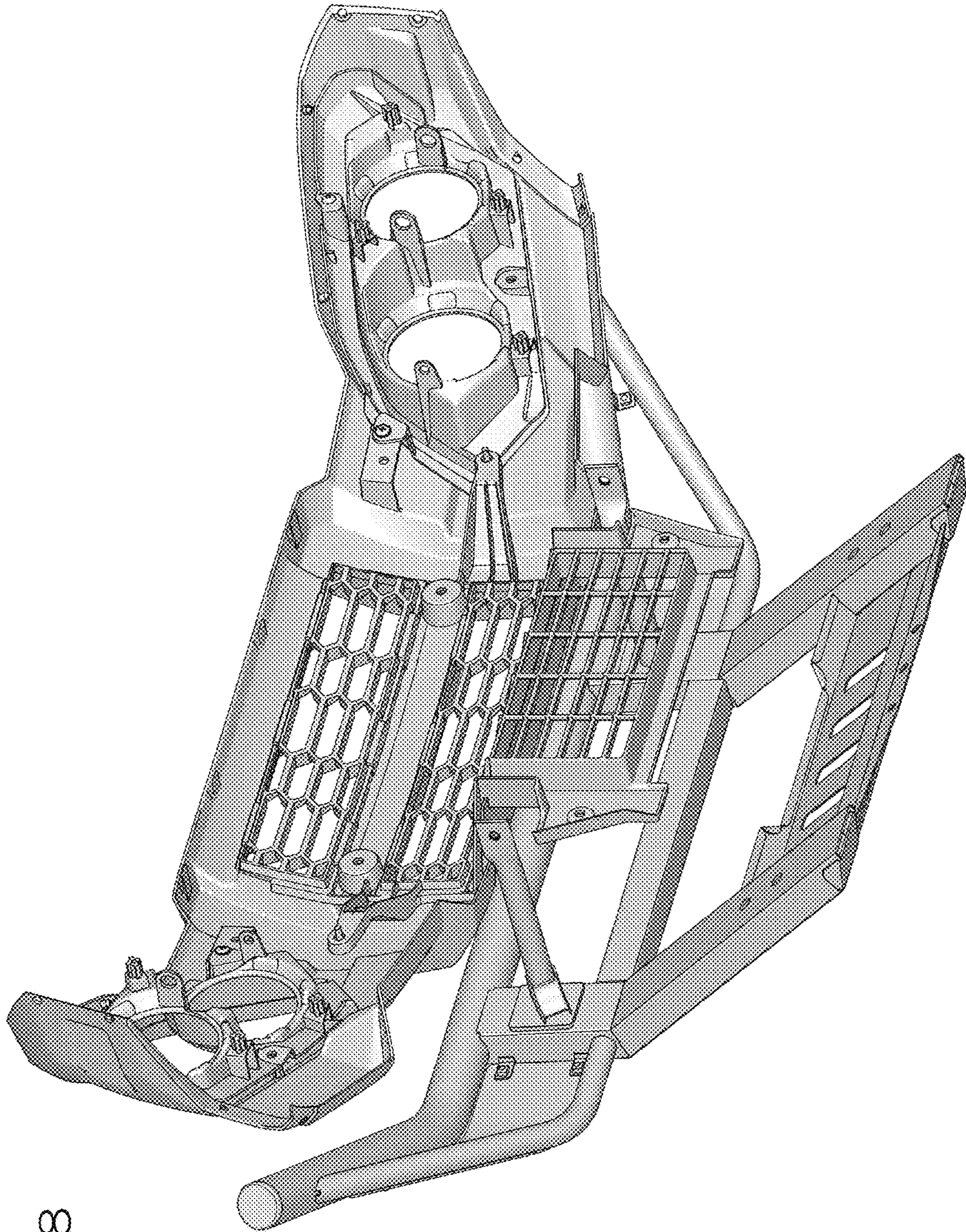


Fig. 8

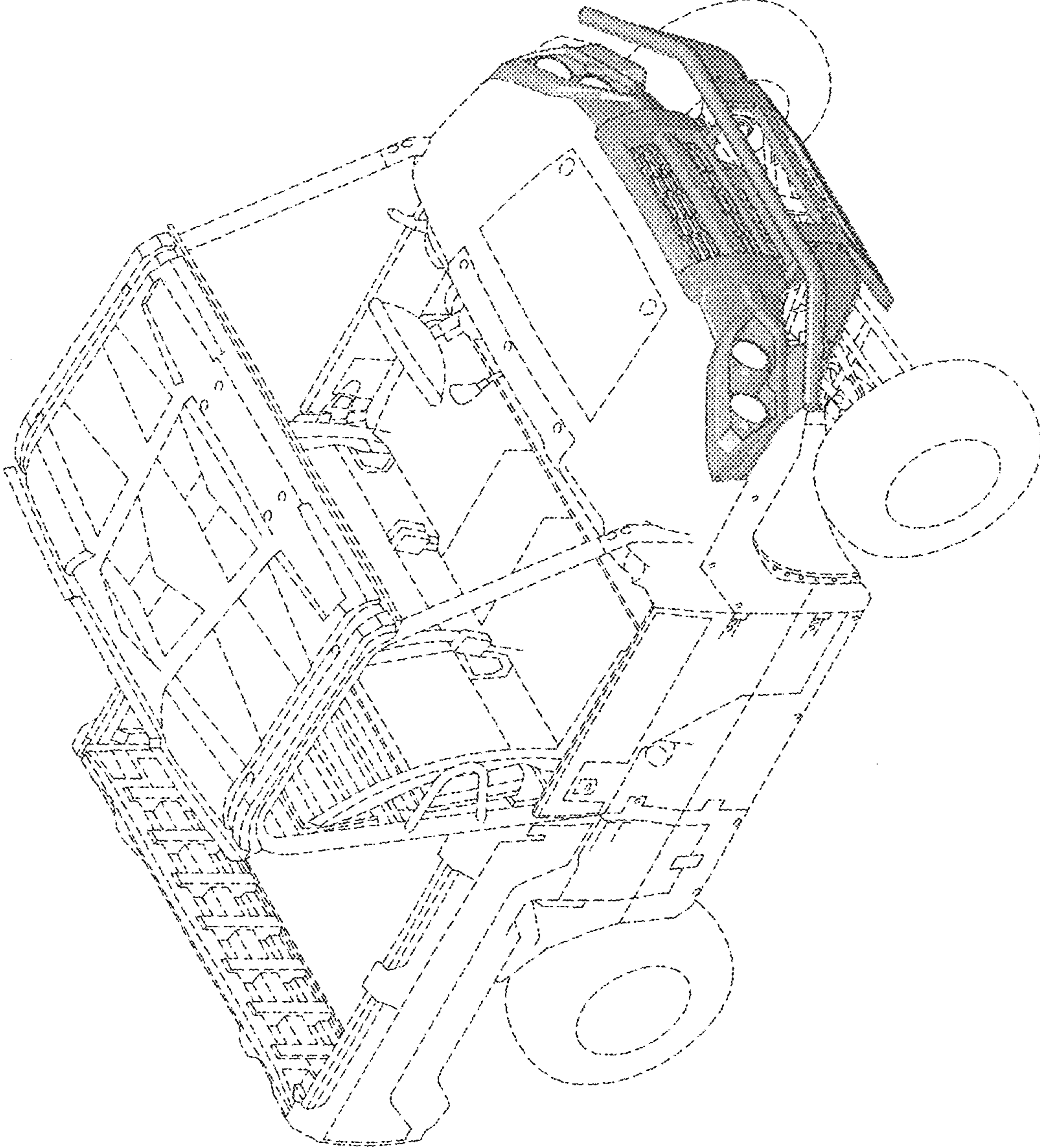


Fig. 9