



US00D865561S

(12) **United States Design Patent** (10) **Patent No.:** **US D865,561 S**
Sivriere (45) **Date of Patent:** **** Nov. 5, 2019**

(54) **EARRING**

(56) **References Cited**

(71) Applicant: **Richemont International SA,**
Villars-sur-Glane (CH)

(72) Inventor: **Stephanie Sivriere,** Plan-les-Ouates
(CH)

(73) Assignee: **Richemont International SA,**
Villars-sur-Glane (CH)

(**) Term: **15 Years**

(21) Appl. No.: **29/648,360**

(22) Filed: **May 21, 2018**

U.S. PATENT DOCUMENTS

148,996 A * 3/1874 Stevens A44C 7/00
63/12
240,590 A * 4/1881 Hessels A44C 7/00
63/13
645,302 A * 3/1900 Simmonds A44C 1/00
63/20
D145,847 S * 10/1946 Katz D11/48
D151,176 S * 9/1948 Philippe D11/40
D154,390 S * 7/1949 Katz D11/40
2,502,386 A * 3/1950 Mailand A44C 7/009
63/14.2
D165,496 S * 12/1951 Trott D11/43
D249,129 S * 8/1978 Fishman D11/48
D250,456 S * 12/1978 Fishman D11/48
D372,882 S * 8/1996 Goldman D11/40

(Continued)

OTHER PUBLICATIONS

[Online] "Piaget Sunlight Earrings" <https://www.piaget.com/jewelry/white-gold-diamond-earrings-g3818c00>. Retrieved Jun. 7, 2019.*

Primary Examiner — Melanie Pellegrini
(74) *Attorney, Agent, or Firm* — Taft Stettinius & Hollister LLP

(30) **Foreign Application Priority Data**

Nov. 22, 2017 (WO) DM/098671

(51) **LOC (12) Cl.** **11-01**

(52) **U.S. Cl.**
USPC **D11/42**

(58) **Field of Classification Search**
USPC D11/79–85, 95, 96, 1, 115, 67, 26–39,
D11/91, 92, 40–48
CPC .. A44C 1/00; A44C 3/00; A44C 3/001; A44C
3/004; A44C 9/00; A44C 9/0007; A44C
9/0015; A44C 9/0023; A44C 9/003; A44C
9/0038; A44C 9/0046; A44C 9/0053;
A44C 9/0061; A44C 9/0069; A44C
9/0076; A44C 9/0084; A44C 9/0092;
A44C 9/02; A44C 25/00; A44C 25/001;
A44C 25/002; A44C 25/004; A44C
25/007; A44C 7/00; A44C 7/001; A44C
7/002; A44C 7/003; A44C 7/004; A44C
7/005; A44C 7/006; A44C 7/007; A44C
7/008; A44C 7/009

See application file for complete search history.

(57) **CLAIM**

The ornamental design for an earring, as shown and described.

DESCRIPTION

FIG. 1 is a front elevational view of an earring showing my new design;
FIG. 2 is a back elevational view thereof;
FIG. 3 is a right side elevational view thereof;
FIG. 4 is a left side elevational view thereof;
FIG. 5 is a bottom plan view thereof;
FIG. 6 is a top plan view thereof;

(Continued)

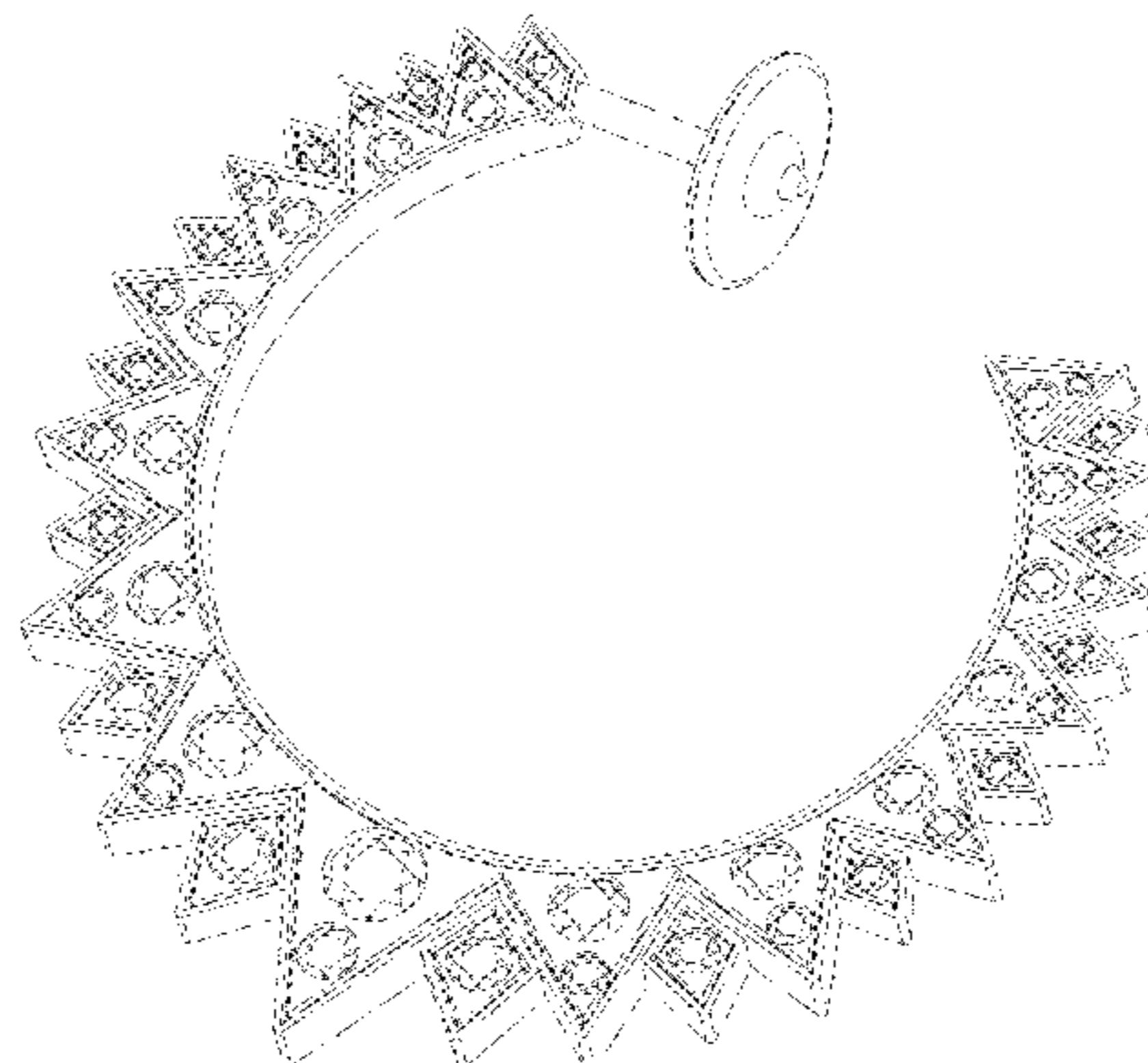


FIG. 7 is a front, right side perspective view thereof; and,
FIG. 8 is a back, left side perspective view thereof.

1 Claim, 8 Drawing Sheets

(56) **References Cited**

U.S. PATENT DOCUMENTS

D718,153 S *	11/2014	Graff	D10/36
D814,333 S *	4/2018	Penna	D11/79
2014/0318181 A1 *	10/2014	Malvar	A44C 1/00 63/20

* cited by examiner

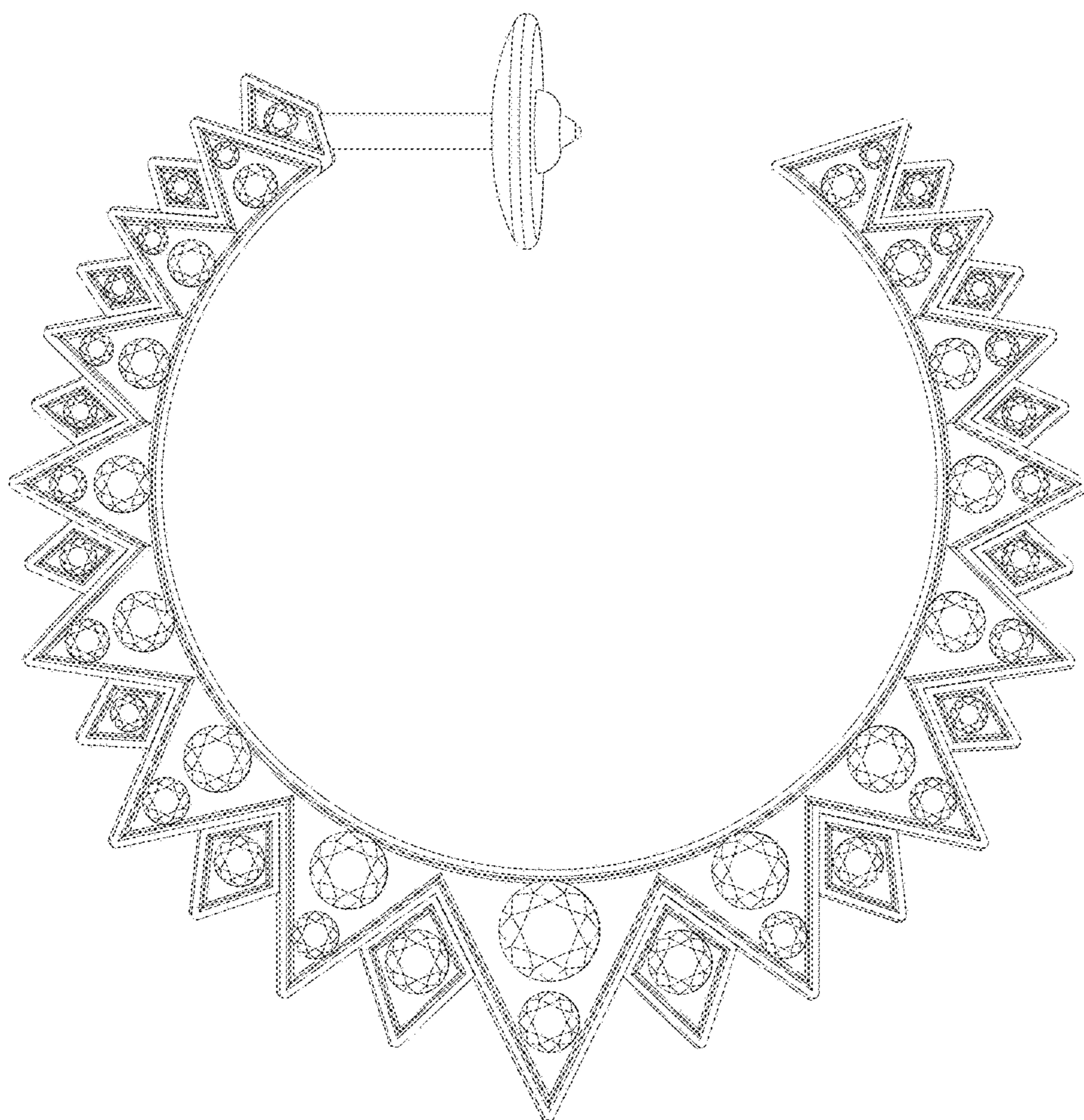


Fig. 1

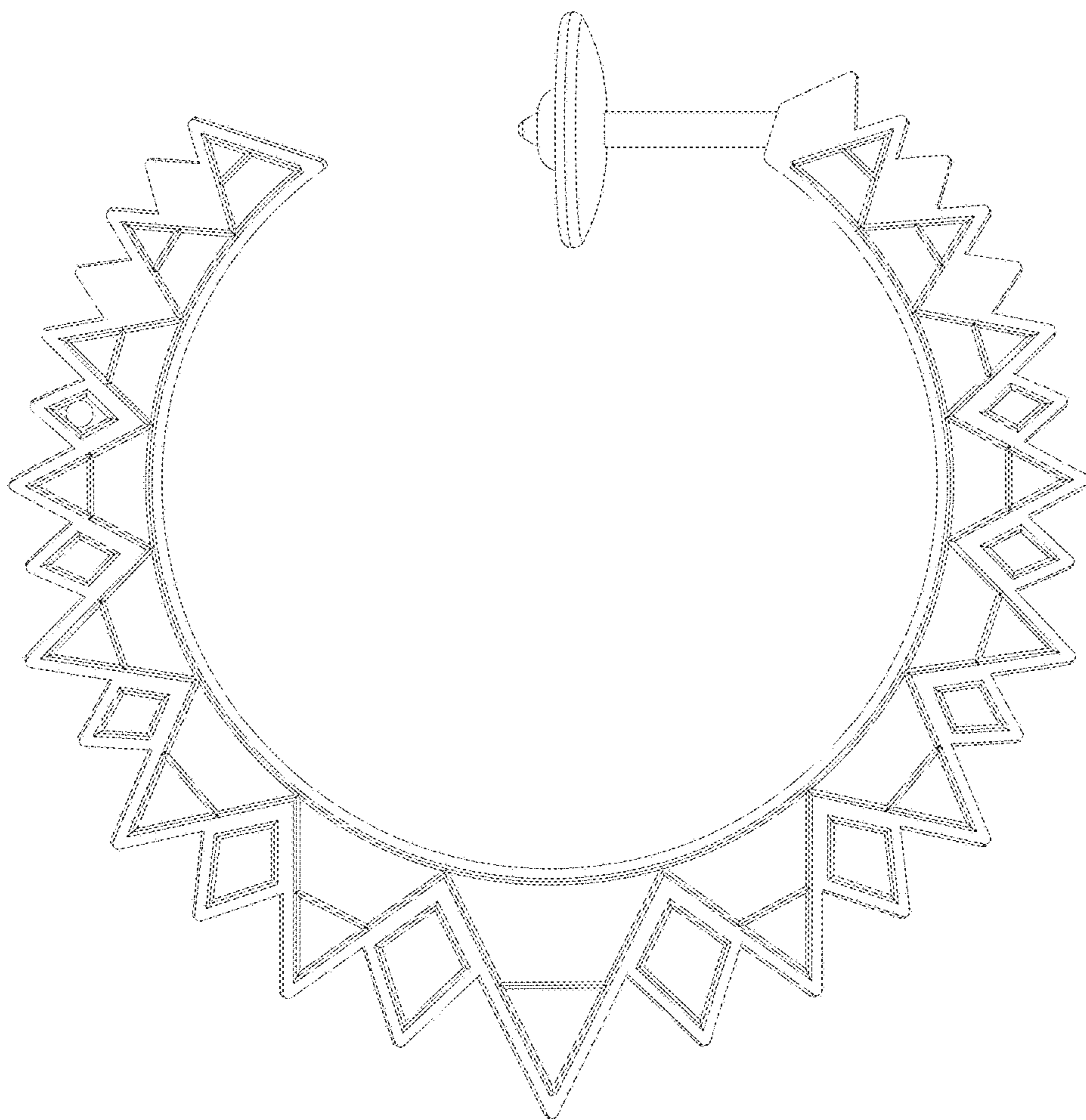


Fig. 2

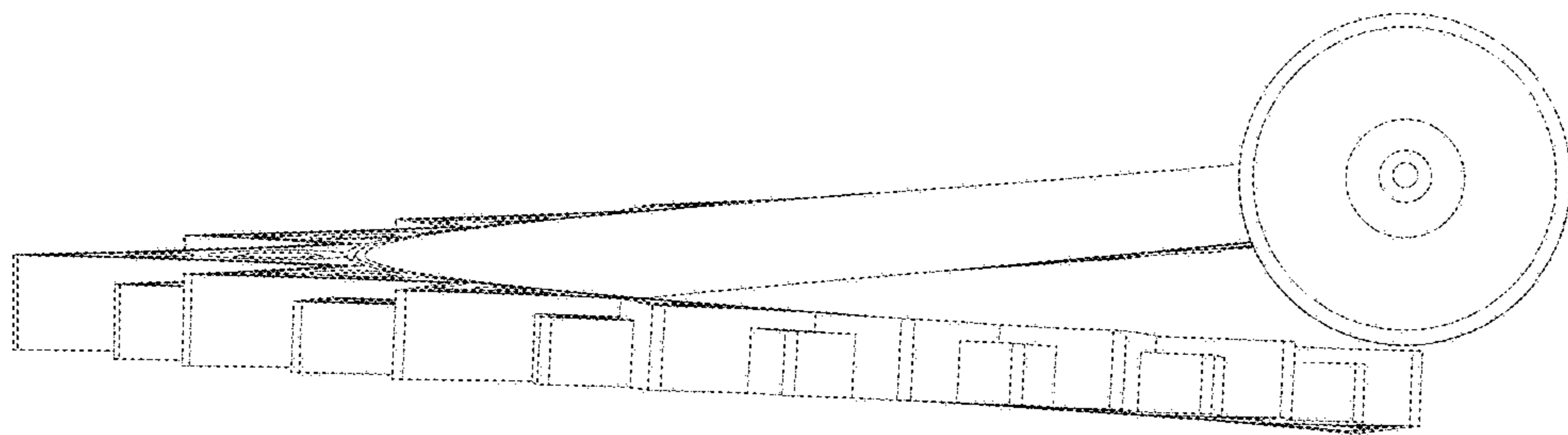


Fig. 3

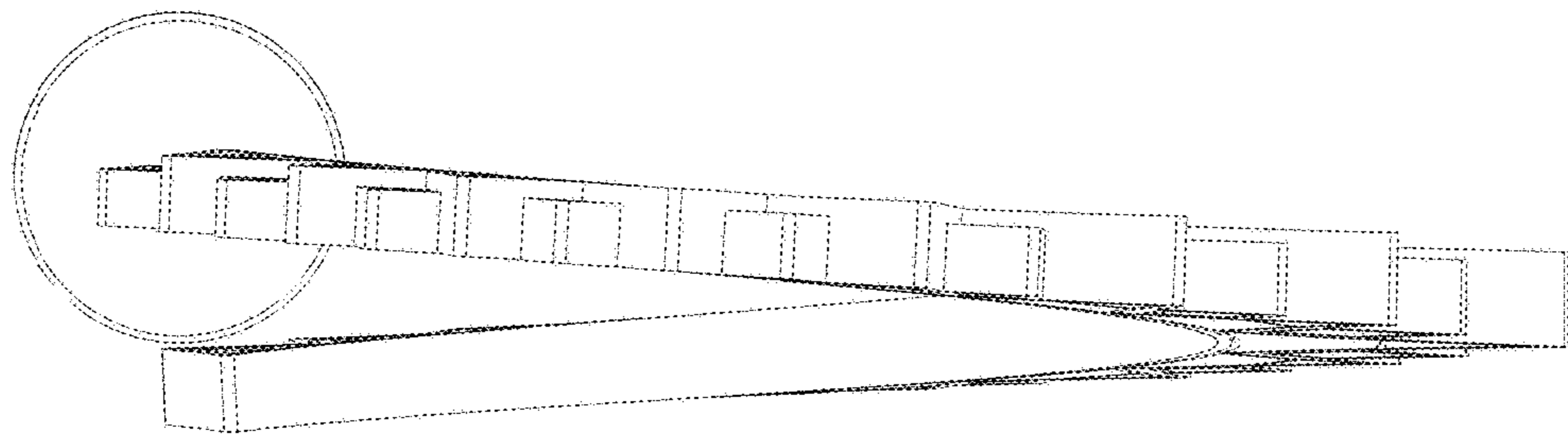


Fig. 4

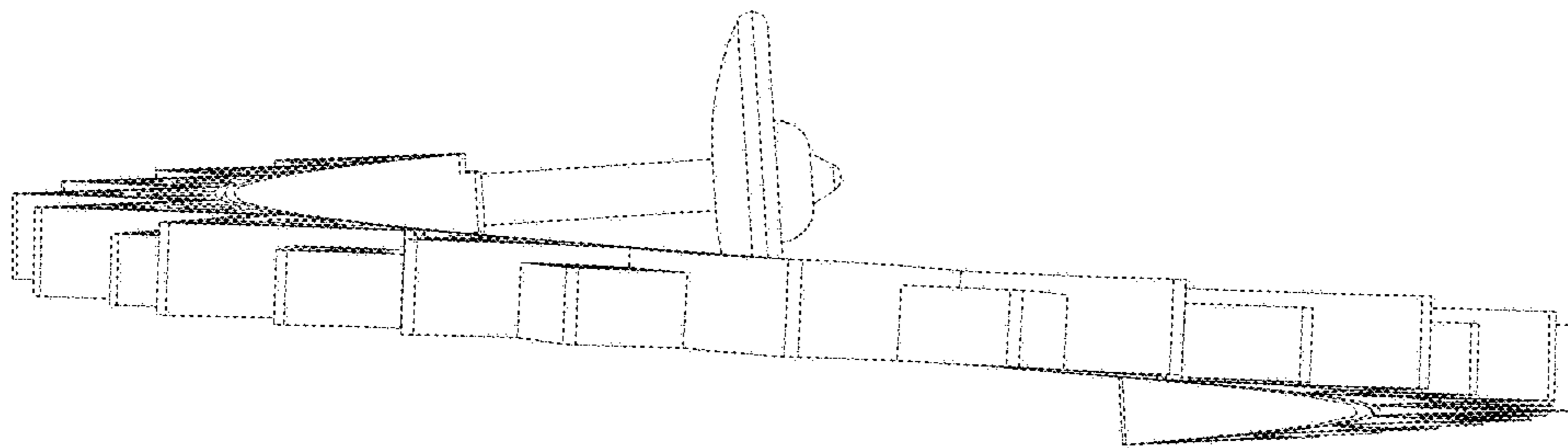


Fig. 5

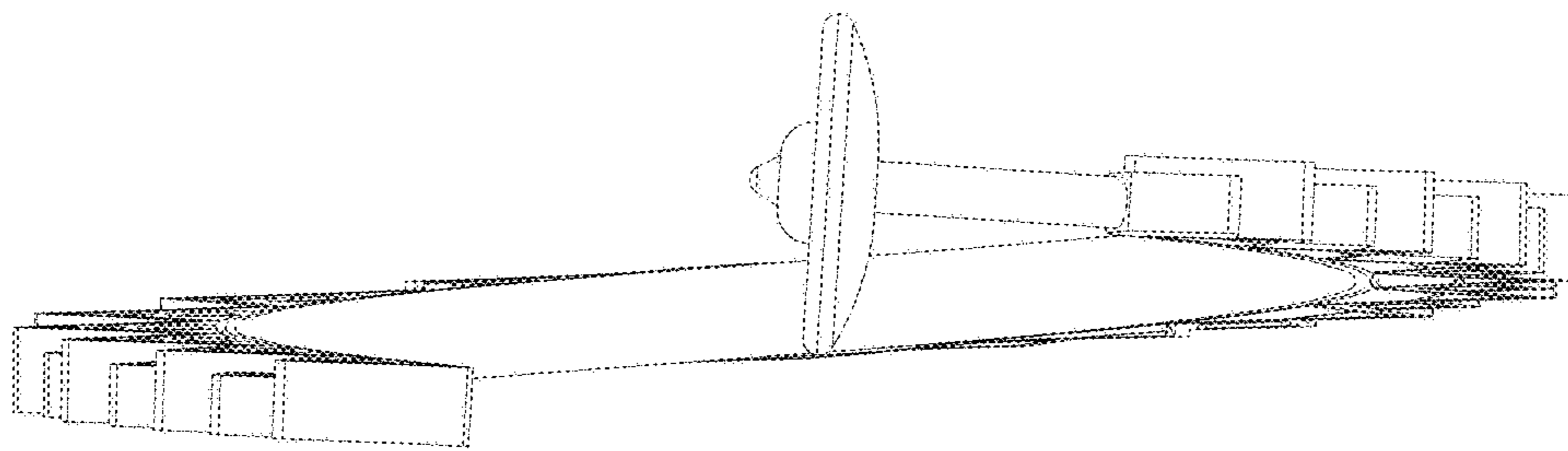


Fig. 6

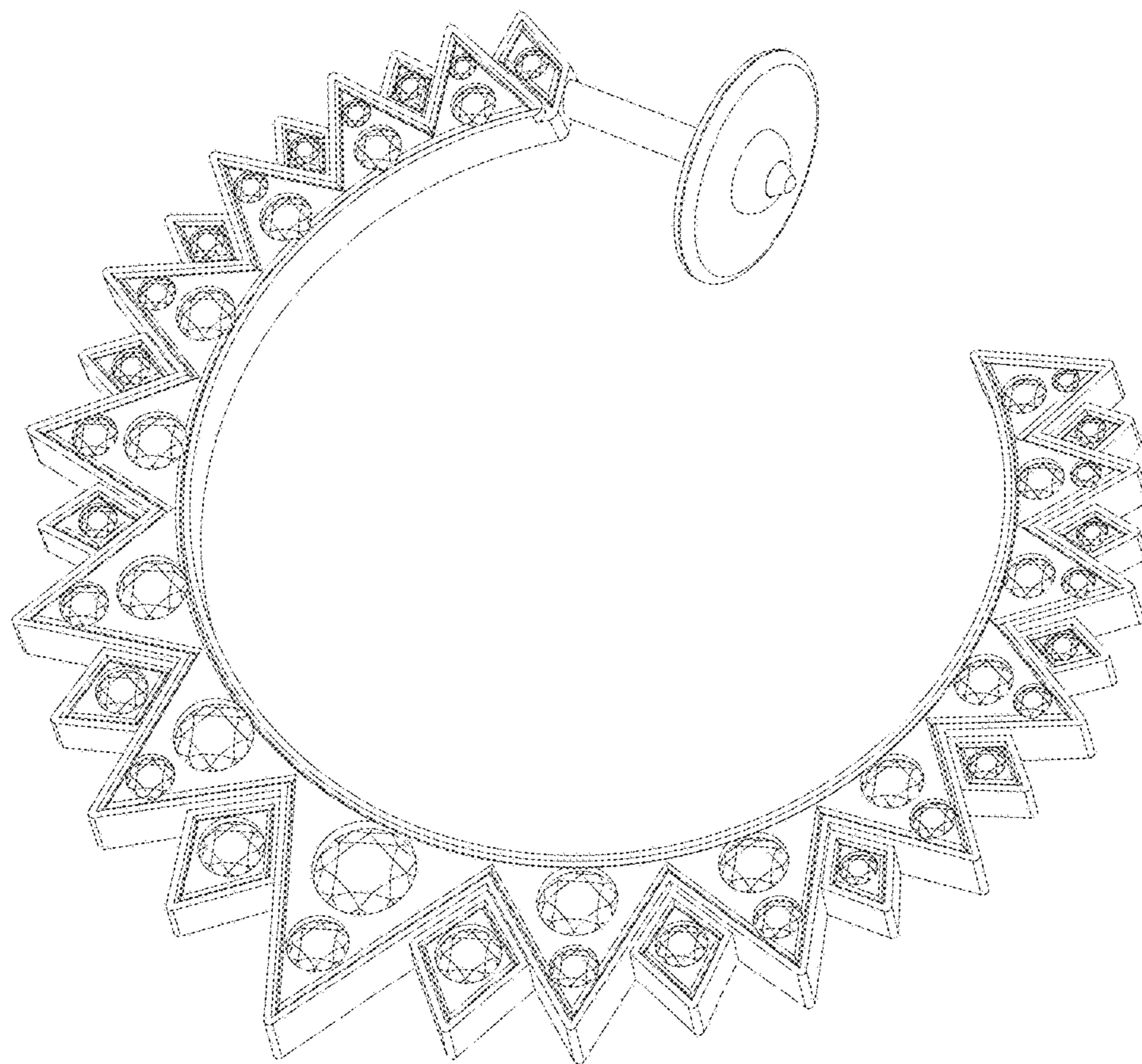


Fig. 7

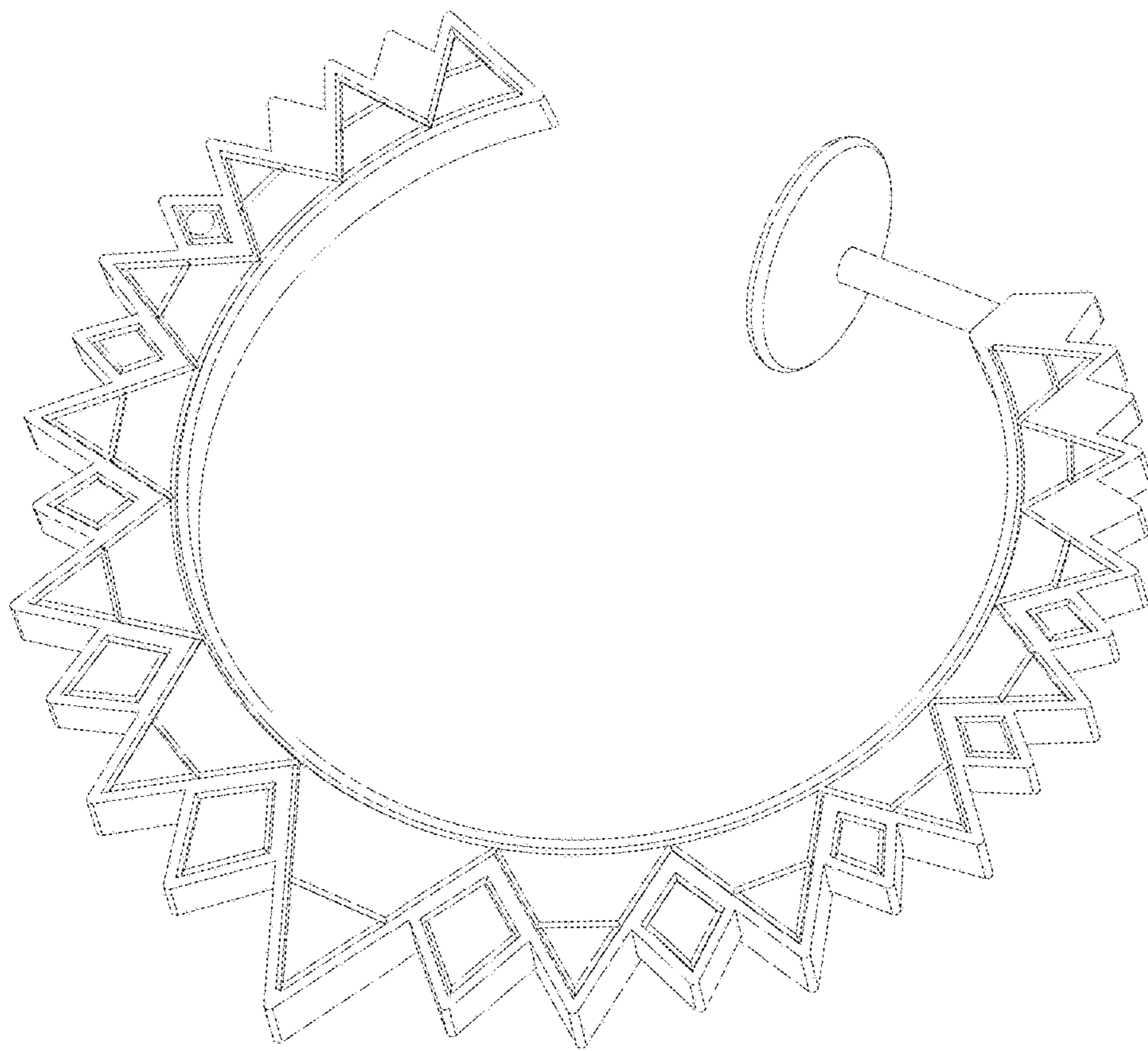


Fig. 8