



US00D865560S

(12) **United States Design Patent**
Chan

(10) **Patent No.:** **US D865,560 S**

(45) **Date of Patent:** **** Nov. 5, 2019**

(54) **LUG FOR A WATCH**

D731,913 S * 6/2015 Namazy D11/27
9,850,683 B2 * 12/2017 Knudsen E04H 17/00
D812,364 S * 3/2018 Rawlins D2/976

(71) Applicant: **Andy Chan**, Richmond (CA)

(72) Inventor: **Andy Chan**, Richmond (CA)

(73) Assignee: **Andy Chan**, Richmond, BC (CA)

(**) Term: **15 Years**

(21) Appl. No.: **29/632,961**

(22) Filed: **Jan. 11, 2018**

(51) **LOC (12) Cl.** **10-07**

(52) **U.S. Cl.**
USPC **D10/128**

(58) **Field of Classification Search**
USPC D10/1-3, 6, 10, 30-39, 40-41, 98, 102,
D10/122-129, 131-132; D8/330-331,
D8/333-335

See application file for complete search history.

(56) **References Cited**

U.S. PATENT DOCUMENTS

- D125,887 S * 3/1941 Dinhofer D10/128
- D165,067 S * 11/1951 Granat D10/38
- D165,152 S * 11/1951 Granat D10/128
- D166,186 S * 3/1952 Granat D10/128
- D171,397 S * 2/1954 Granat D10/128
- 3,854,166 A * 12/1974 Hannes B22D 19/12
16/260
- 4,384,436 A * 5/1983 Green E06B 9/01
49/61
- D270,509 S * 9/1983 Miller D1/115
- 4,653,933 A * 3/1987 Reichel G04B 37/225
224/164
- D480,610 S * 10/2003 Toffolon D7/642
- D665,457 S * 8/2012 Bengyak D20/29
- D725,527 S * 3/2015 Parmigiani D10/128

OTHER PUBLICATIONS

Patek Philippe Fancy Flame Lugs | posted at 1stdibs.com watch circa 1948 [online] © 2019 1stdibs, Inc [retrieved Feb. 13, 2019] from Internet: <https://www.1stdibs.com/jewelry/watches/wrist-watches/patek-philippe-2431r-vintage-rose-gold-watch-fancy-flame-lugs-circa-1948/id-j_5482872/> (Year: 1948).*

(Continued)

Primary Examiner — Sandra S Snapp
Assistant Examiner — Katherine Glennon

(57) **CLAIM**

The ornamental design for a lug for a watch, as shown and described.

DESCRIPTION

FIG. 1 is a top view of a lug shown positioned on a watch depicted in broken line to indicate the watch forms no part of the claimed design;

FIG. 2 is a top view of the lug shown in FIG. 1, shown in isolation;

FIG. 3 is a bottom view thereof;

FIG. 4 is a side view thereof;

FIG. 5 is a side view thereof, showing the side opposite of that shown in FIG. 4;

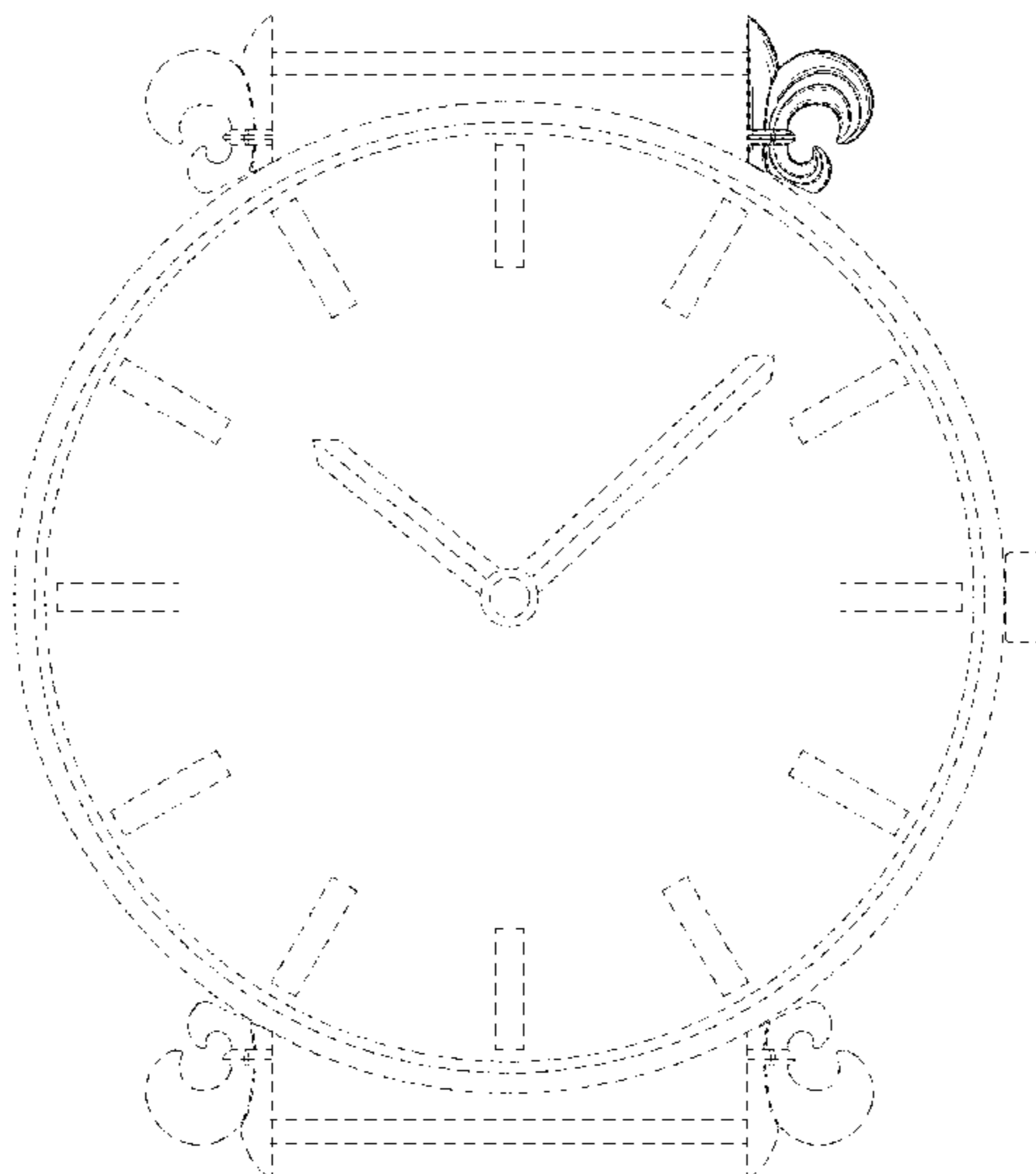
FIG. 6 is a front view thereof;

FIG. 7 is a back view thereof; and,

FIG. 8 is a top perspective view thereof.

The broken lines in the drawings illustrate portions of the watch and additional lugs that form no part of the claimed design.

1 Claim, 8 Drawing Sheets



(56)

References Cited

OTHER PUBLICATIONS

Vacheron Constantin Fancy Lugs | posted at Chrono24.com; watch circa 1950 [online] [retrieved Feb. 13, 2019] from Internet: <<https://www.chrono24.com/vacheronconstantin/4652-guilloche-dial-fancy-lugs-with-coa-box-orig-tag--warranty-card--id7893244.htm#ref>> (Year: 1950).*

Vintage Fleur De Lis Finial | posted at poshmark.com no date [online]. © 2019 Poshmark Inc. [retrieved Feb. 13, 2019] from Internet: <<https://poshmark.com/listing/Vintage-Cast-Iron-Fleur-de-Lis-Finial-5aafd833316278aeda64503>> (Year: 2019).*

* cited by examiner

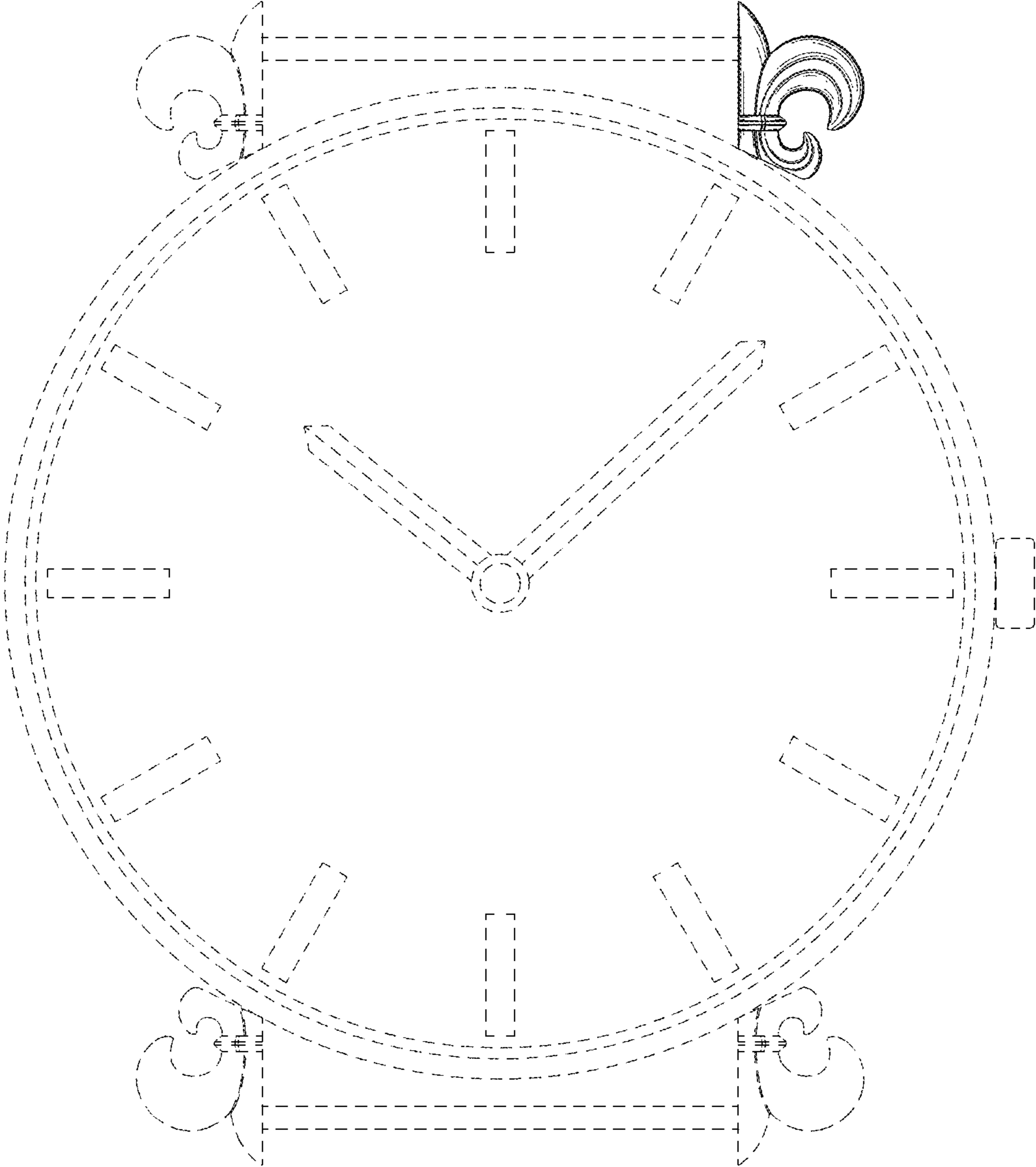


FIG. 1

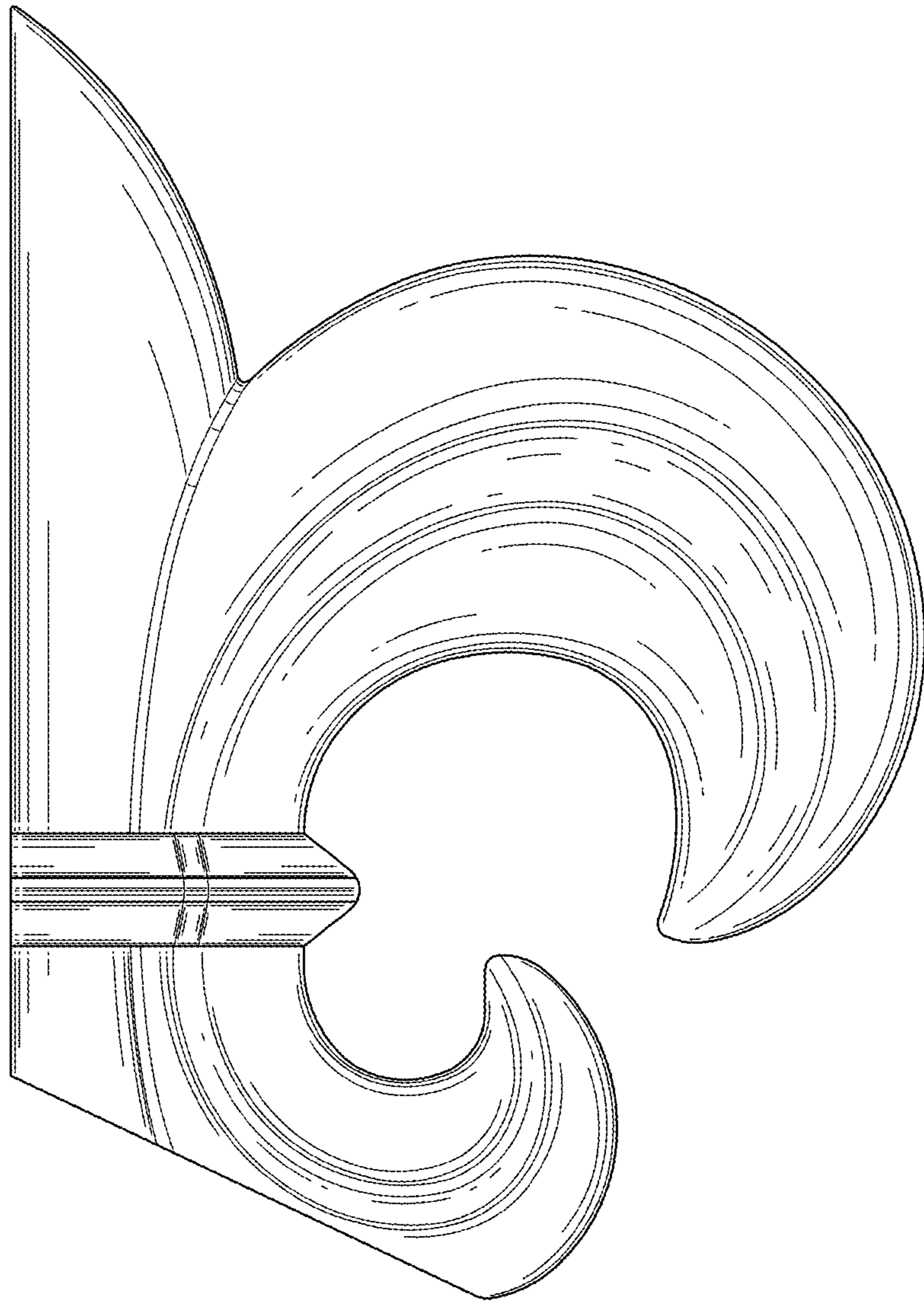


FIG. 2

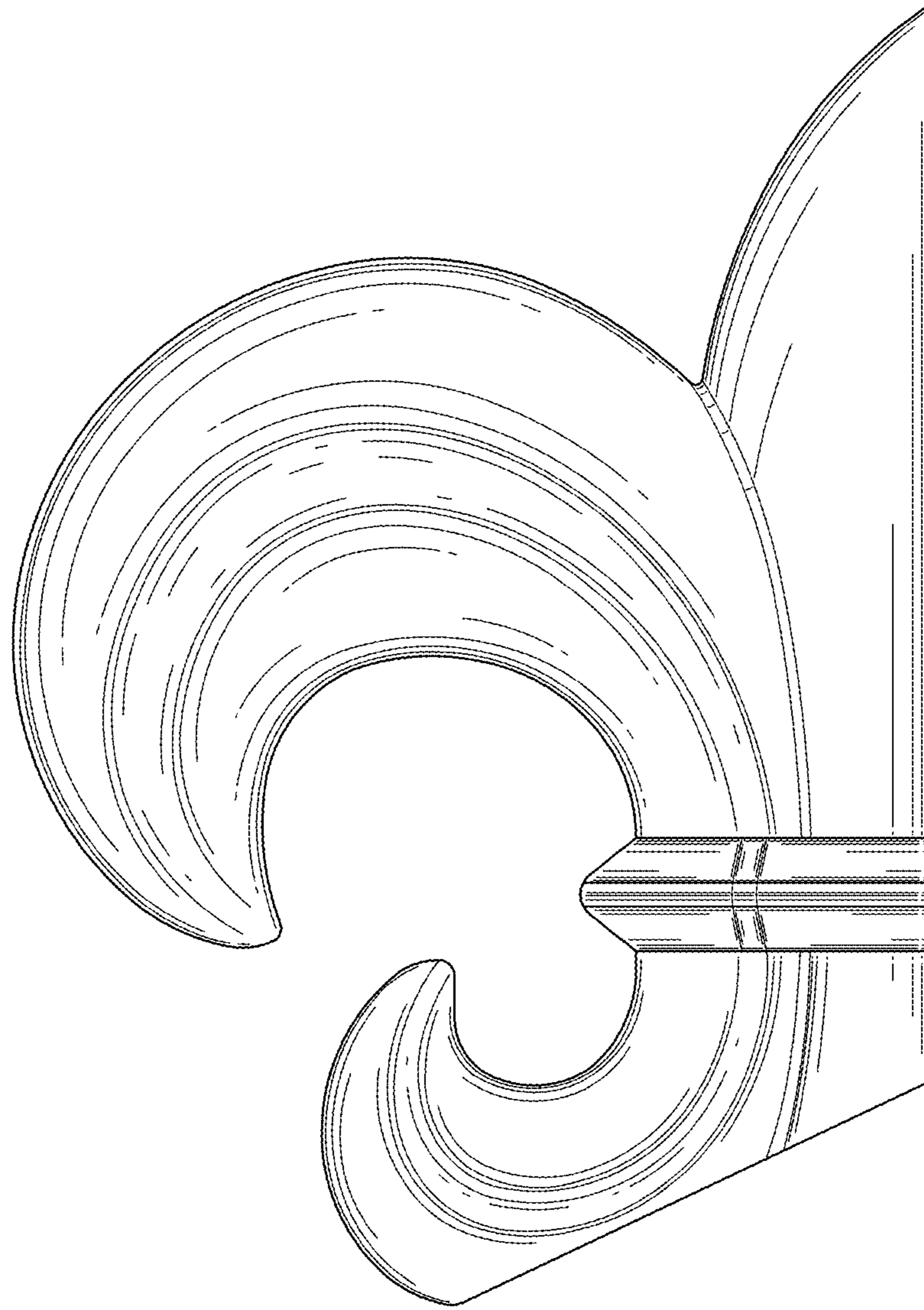


FIG. 3

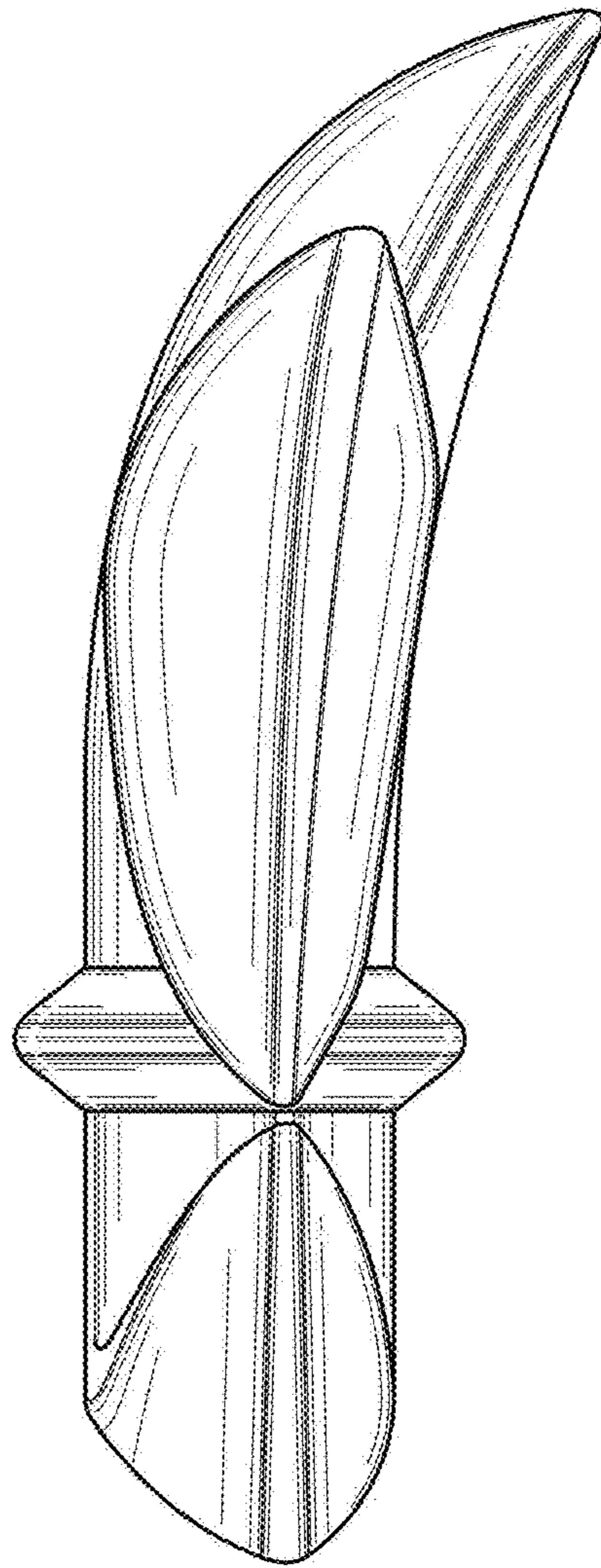


Fig. 4

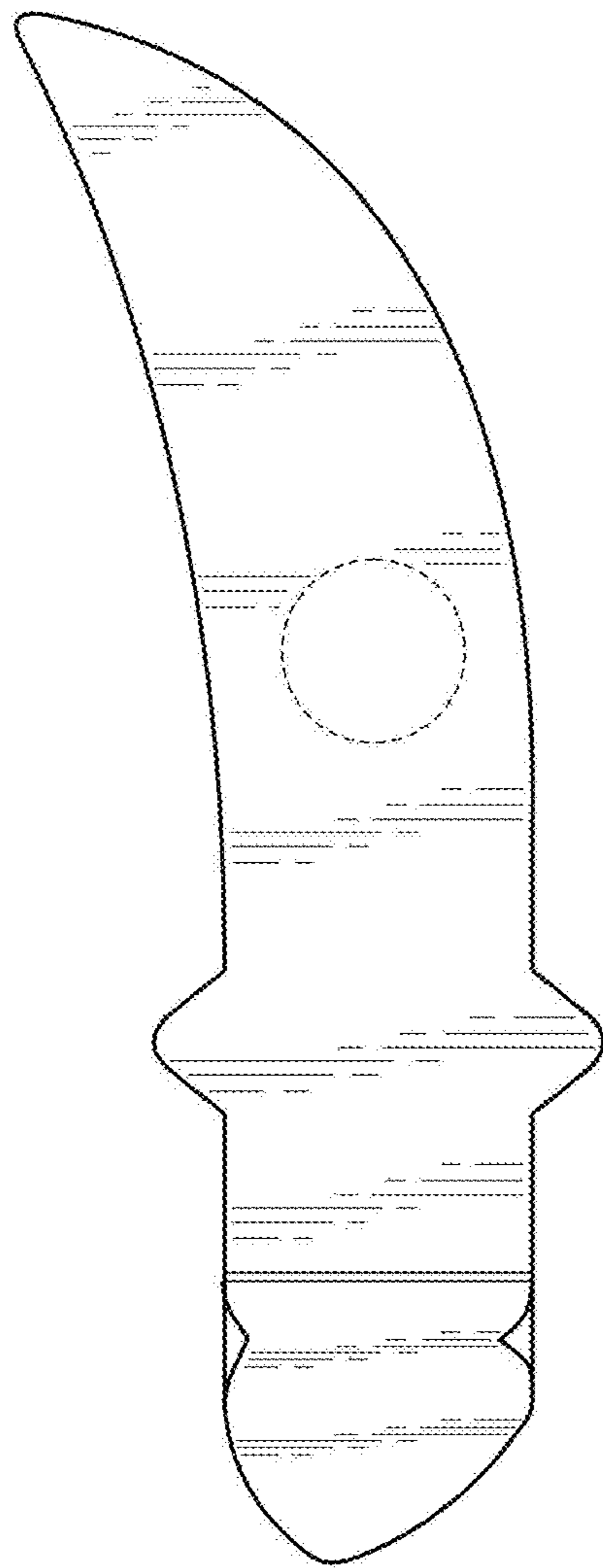


Fig. 5

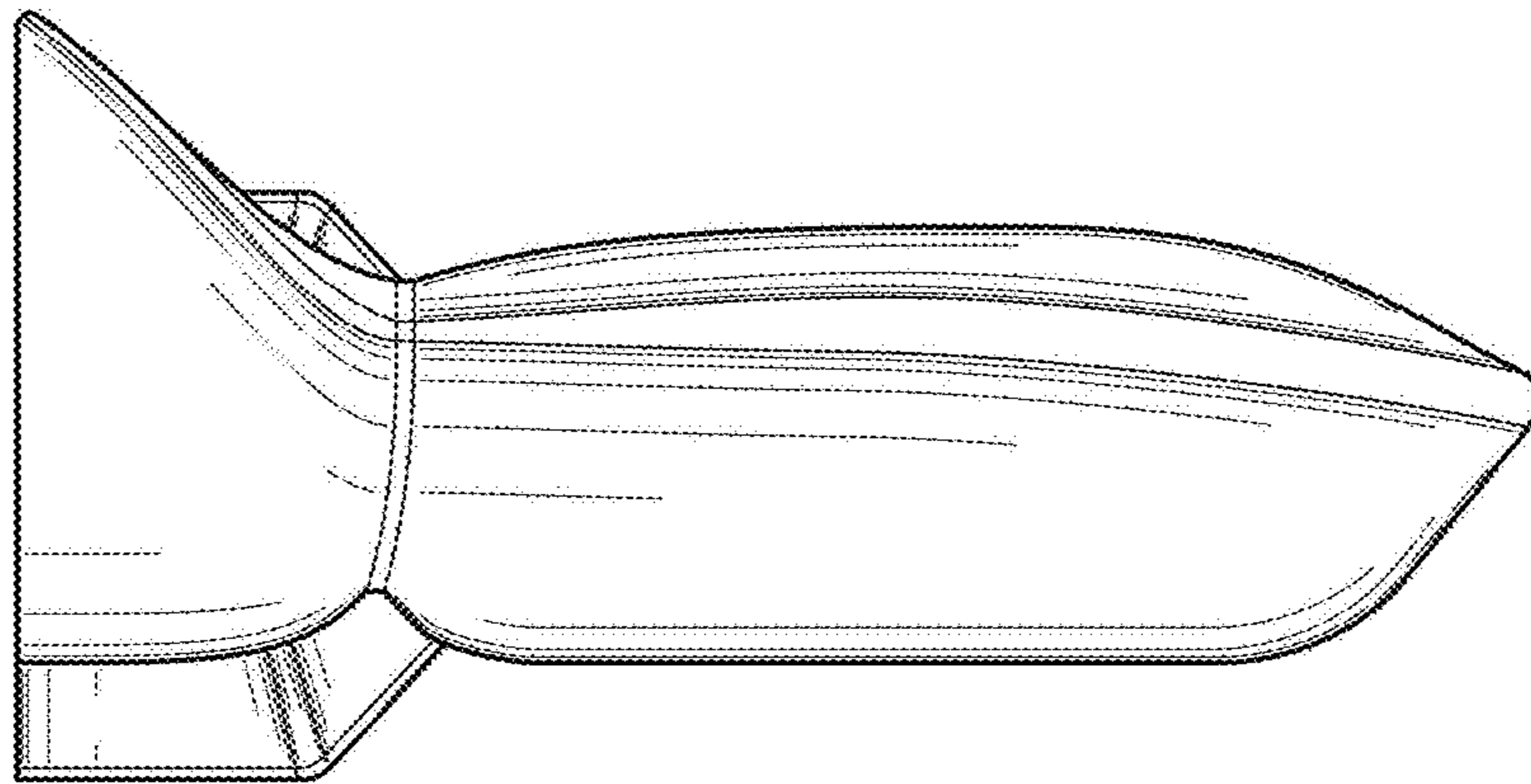


Fig. 6

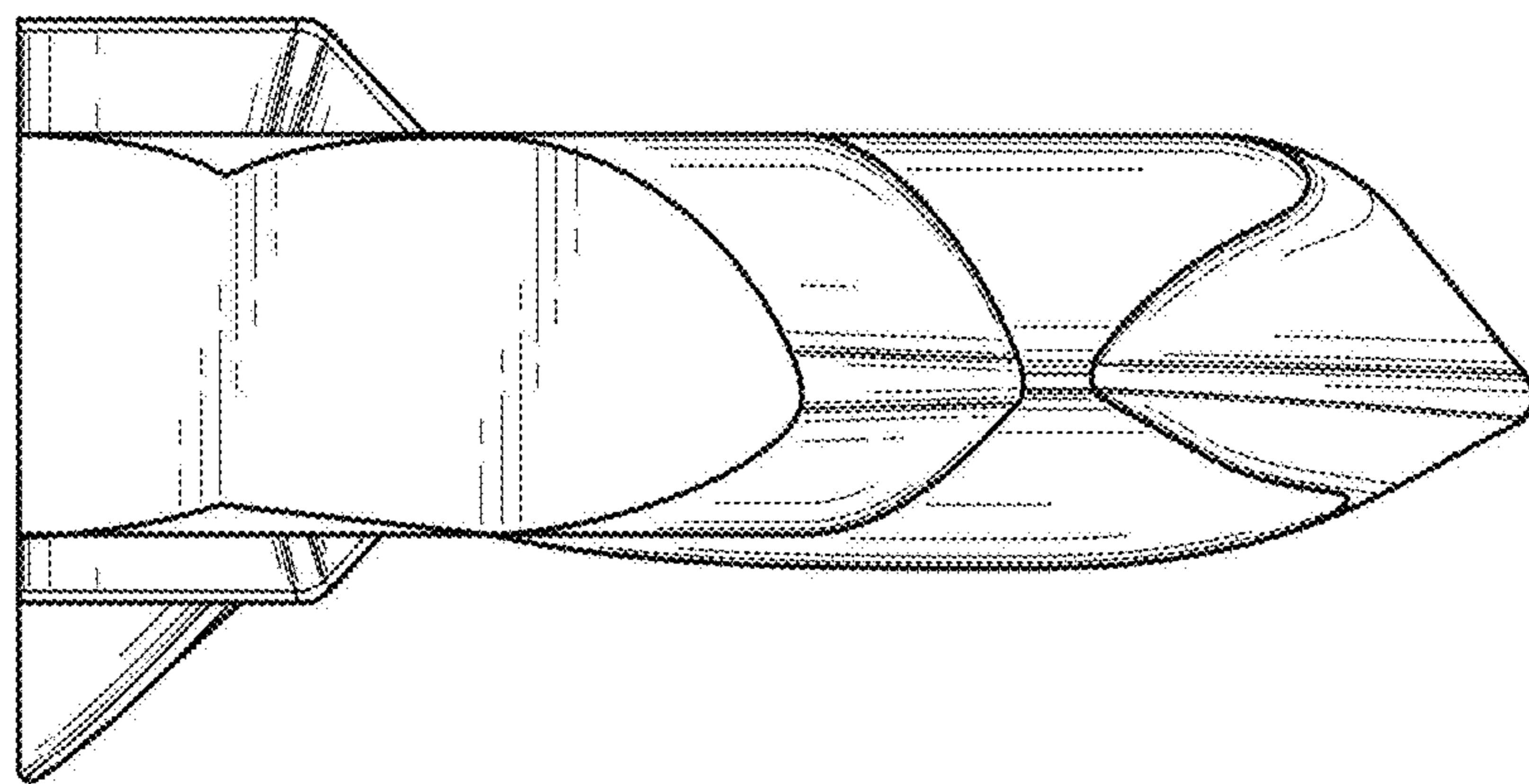


Fig. 7

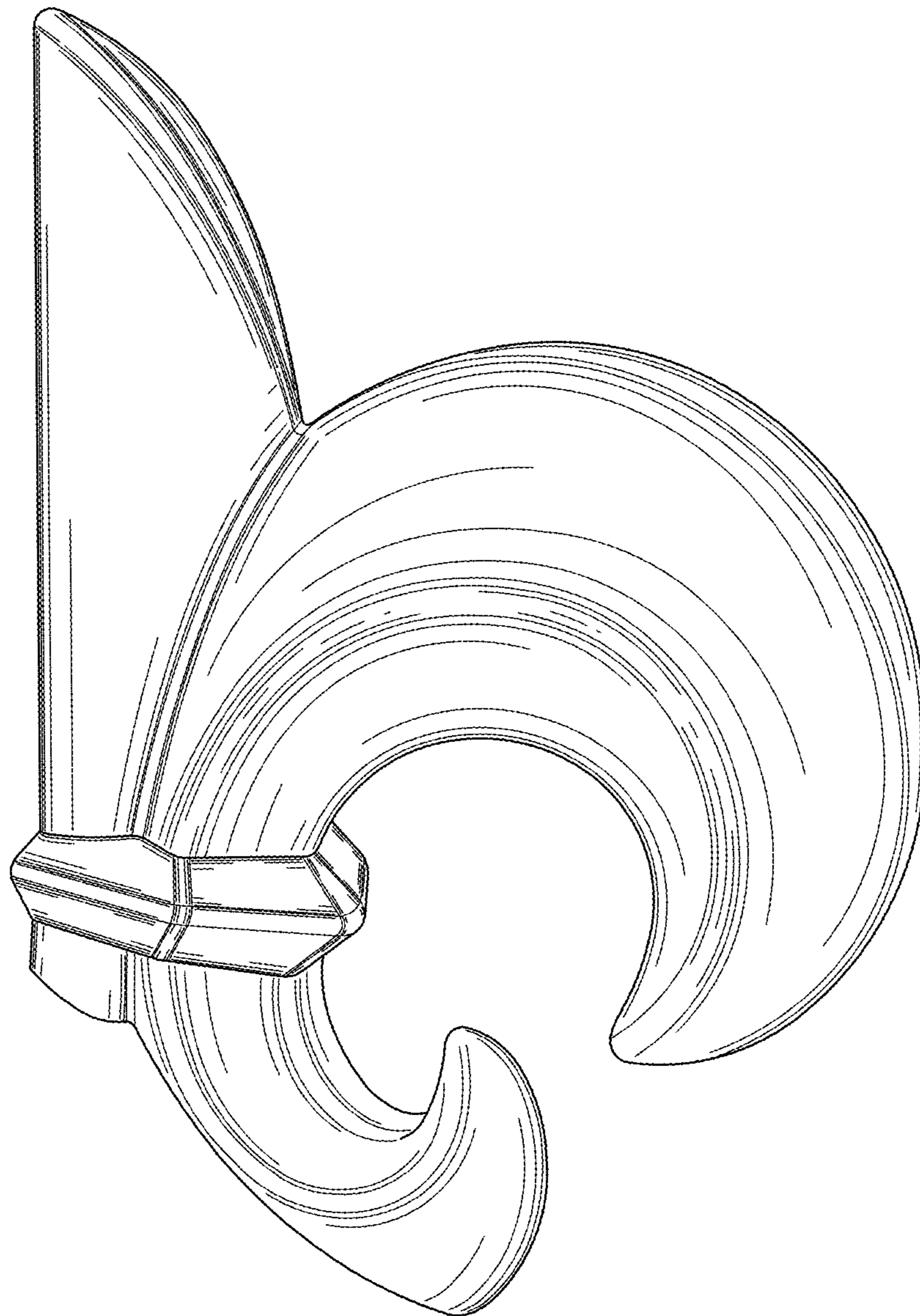


FIG. 8