

US00D865559S

(12) **United States Design Patent** (10) **Patent No.:** **US D865,559 S**
Olsen (45) **Date of Patent:** **** Nov. 5, 2019**

(54) **LED BEACON**

(71) Applicant: **ELECTRONIC CONTROLS COMPANY**, Boise, ID (US)

(72) Inventor: **Brian Lynn Olsen**, Meridian, ID (US)

(73) Assignee: **Electronic Controls Company**, Boise, ID (US)

(**) Term: **15 Years**

(21) Appl. No.: **29/634,302**

(22) Filed: **Jan. 19, 2018**

(51) **LOC (12) Cl.** **10-05**

(52) **U.S. Cl.**
USPC **D10/114.2**

(58) **Field of Classification Search**
USPC D10/111, 114.2, 114.4, 112, 114.1, 114.3, D10/114.5, 121, 104.1, 106.6, 106.7, D10/106.8, 114.6, 114.7, 114.8, 114.9, D10/115, 116.1, 120; D26/7, 8, 10, 11, D26/12, 14, 19, 60, 61, 63-69, 71, 92, D26/93; 362/311, 373; 340/815, 432, 340/908.1, 815.03, 760, 761, 767, 782, 340/471, 473, 815.45, 463
CPC F21S 8/081; F21S 8/08; F21S 6/00; F21S 9/035; F21S 10/063; F21S 10/066; F21S 43/14; F21S 4/00; F21S 8/00; F21S 9/02; F21S 9/037; G08B 5/36; G08B 21/02; G08B 21/22; G08B 5/002; G08B 5/22; G08B 13/00; G08B 13/2462; G08B 21/0266; G08B 21/08; G08B 21/10; G08B 21/24; G08B 25/08; G08B 25/10; G08B 27/006; G08B 29/188; G08B 31/00; G08B 3/1016; G08B 6/00; G08G 1/095; G08G 1/0955; G08G 5/0026; G08G 1/0116; G08G 1/0133; G08G 1/04; G08G 1/056; G08G 1/164; G08G 1/096783; G08G 1/166; G08G 5/0013; G08G 5/0047; G08G 5/0052; G08G 5/0086; G08G 5/045

See application file for complete search history.

(56) **References Cited**

U.S. PATENT DOCUMENTS

D223,783 S * 6/1972 Akers D10/114.1
D226,327 S * 2/1973 Anderson D10/114.1
D233,566 S * 11/1974 Foley D10/114.1
D242,942 S * 1/1977 Brudy D10/111

(Continued)

OTHER PUBLICATIONS

“EB7260 Series—ECCO” available Jun. 3, 2019, [online], [site visited Jun. 3, 2019]. Retrieved from Internet, URL:https://www.eccoescg.com/us/en/products/beacons/led-beacons/EB7260Series (Year: 2019).*

(Continued)

Primary Examiner — Cathron C Brooks

Assistant Examiner — Katrina N Gonzalez

(74) *Attorney, Agent, or Firm* — Stoel Rives LLP; Robert R. Teel

(57) **CLAIM**

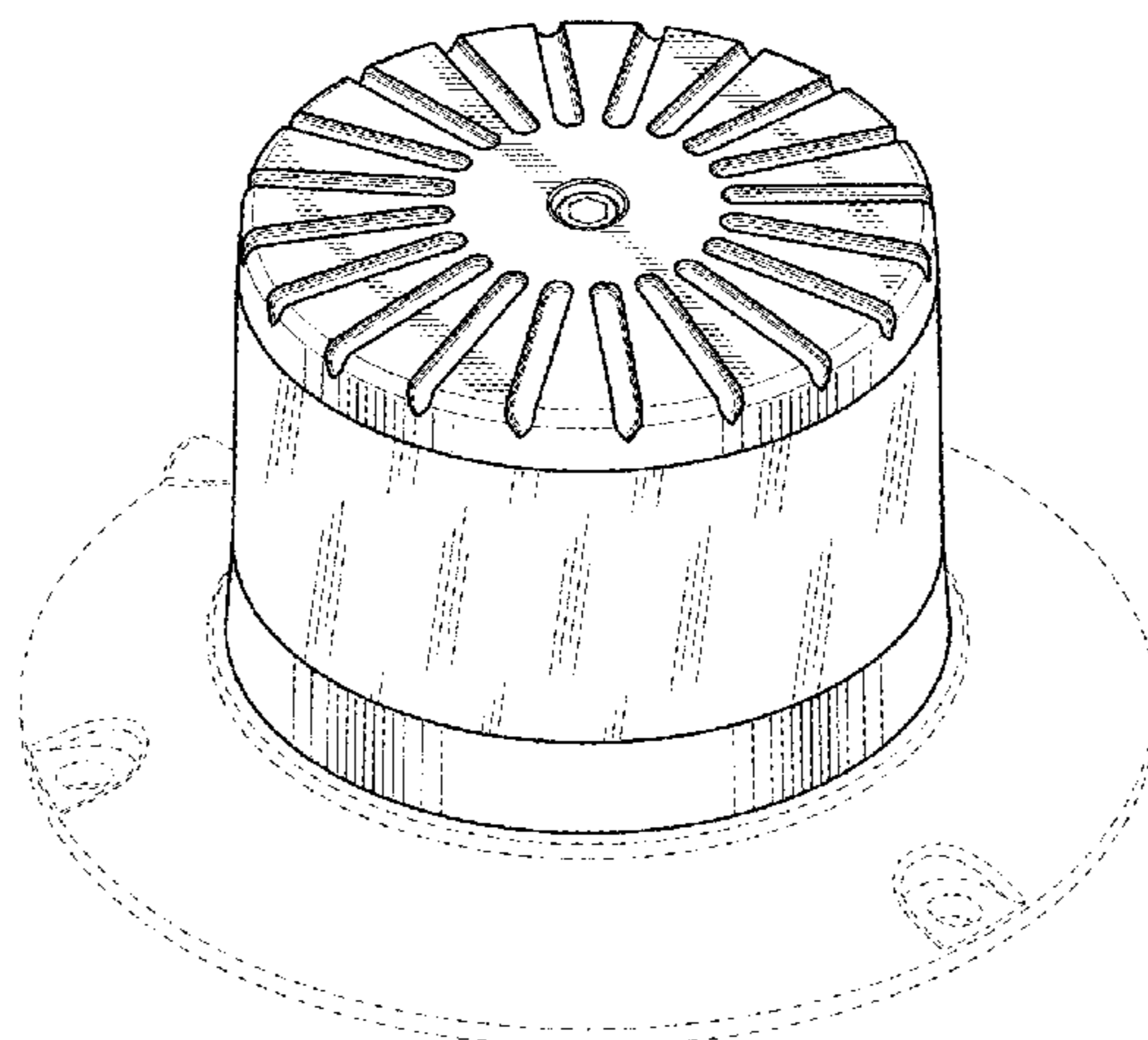
The ornamental design for an LED beacon, substantially as shown and described.

DESCRIPTION

FIG. 1 is a first top isometric view of an LED beacon, which is shown mounted in a base;
FIG. 2 is a top plan view thereof;
FIG. 3 is a left side elevational view thereof, the right side being a mirror image;
FIG. 4 is a rear elevational view thereof;
FIG. 5 is a front elevational view thereof; and,
FIG. 6 is a second top isometric view thereof, showing the LED beacon mounted on a pipe instead of the base of FIG. 1.

In the figures, the broken lines show environmental structures forming no part of the claimed design.

1 Claim, 3 Drawing Sheets



(56)

References Cited

U.S. PATENT DOCUMENTS

D256,001 S	*	7/1980	Curran	D10/111
D326,237 S	*	5/1992	Gale	D10/114.8
D570,722 S	*	6/2008	Taylor	D10/114.8
D598,316 S	*	8/2009	Kuwano	D10/114.8
D601,053 S	*	9/2009	Ferrie	D10/114.8
D612,760 S	*	3/2010	Chen	D10/114.8
D660,738 S	*	5/2012	Yu	D10/114.2
D669,806 S	*	10/2012	Stein	D10/114.2
D669,807 S	*	10/2012	Stein	D10/114.2
D684,078 S	*	6/2013	Clifford	D10/114.2
D701,466 S	*	3/2014	Clifford	D10/114.2
D827,898 S	*	9/2018	Li	D26/67
D827,899 S	*	9/2018	Li	D26/67

OTHER PUBLICATIONS

“ECCO LED Low Profile Beacon Lights” available Jun. 3, 2019, [online], [site visited Jun. 3, 2019]. Retrieved from Internet, URL:<https://www.autobodytoolmart.com/ecco-led-low-profile-beacon-lights-sae-class-i-amber-p-19388.aspx> (Year: 2019).*

“BoldStar 12W Magnetic LED Beacon Light for Trucks” available Dec. 14, 2017, [online], [site visited Jun. 3, 2019]. Retrieved from Internet, URL:<https://www.amazon.com/Abrams-BoldStar-Magnetic-Permanent-Construction/dp/B0788S8292> (Year: 2017).*

* cited by examiner

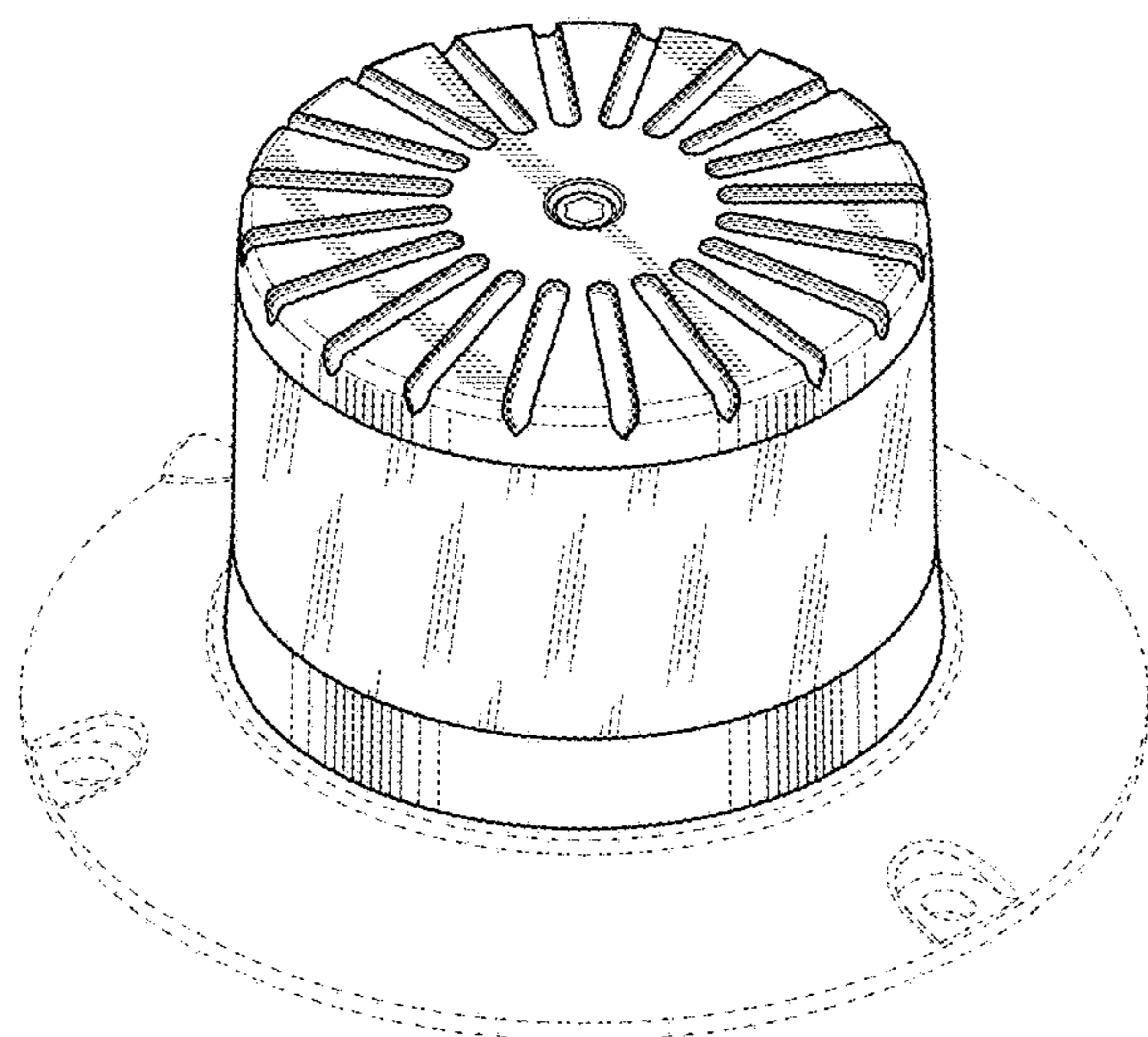


Fig.1

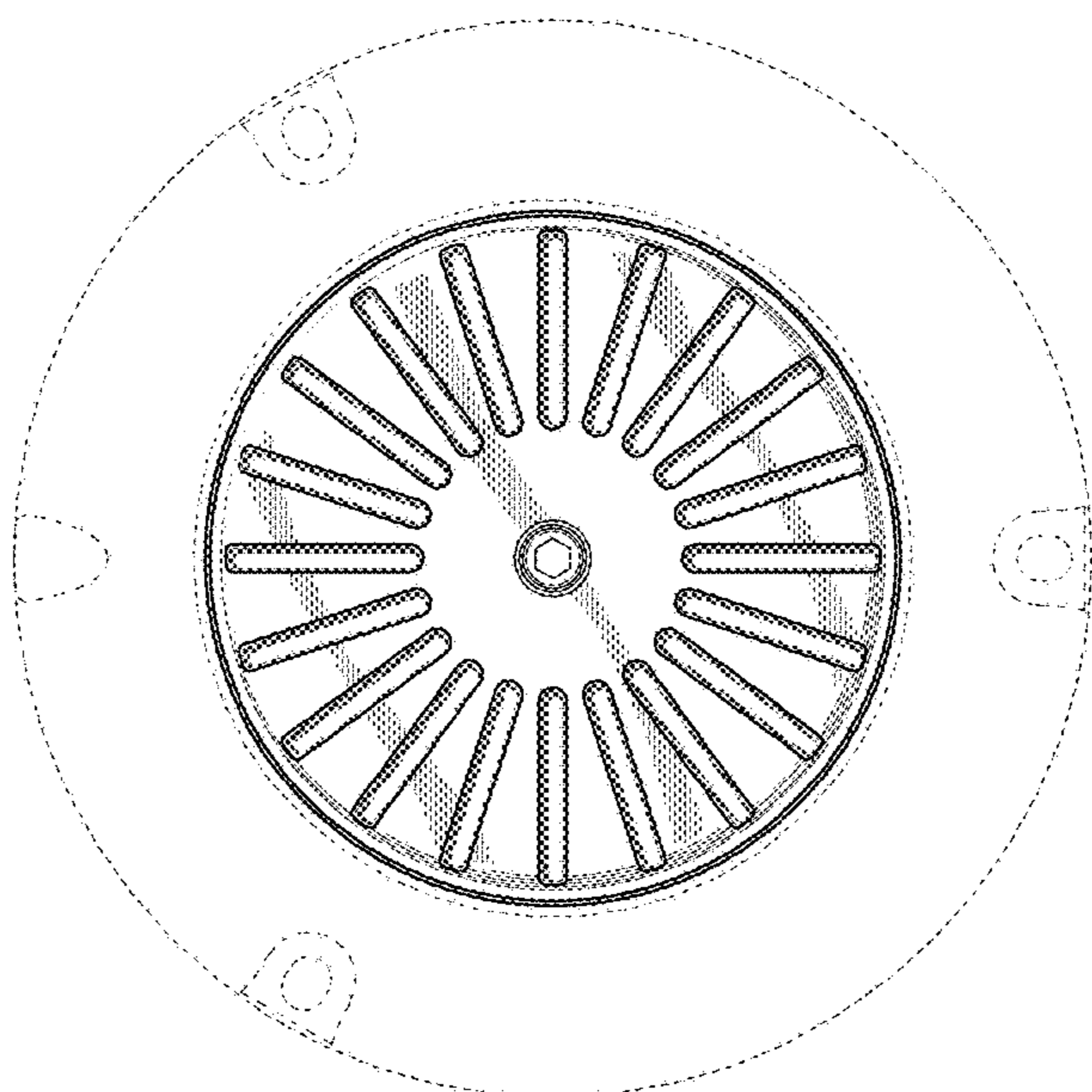


Fig.2

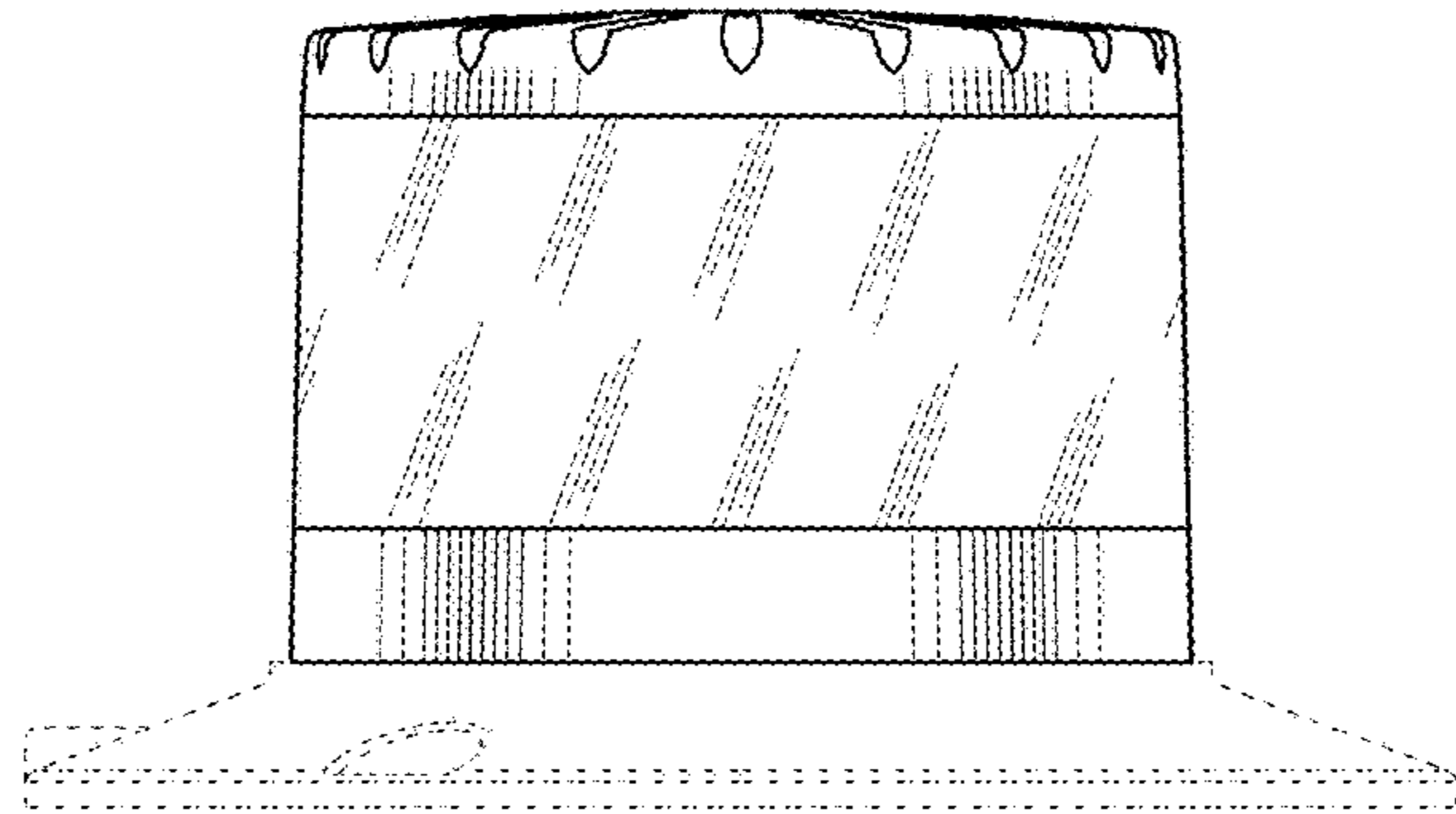


Fig.3

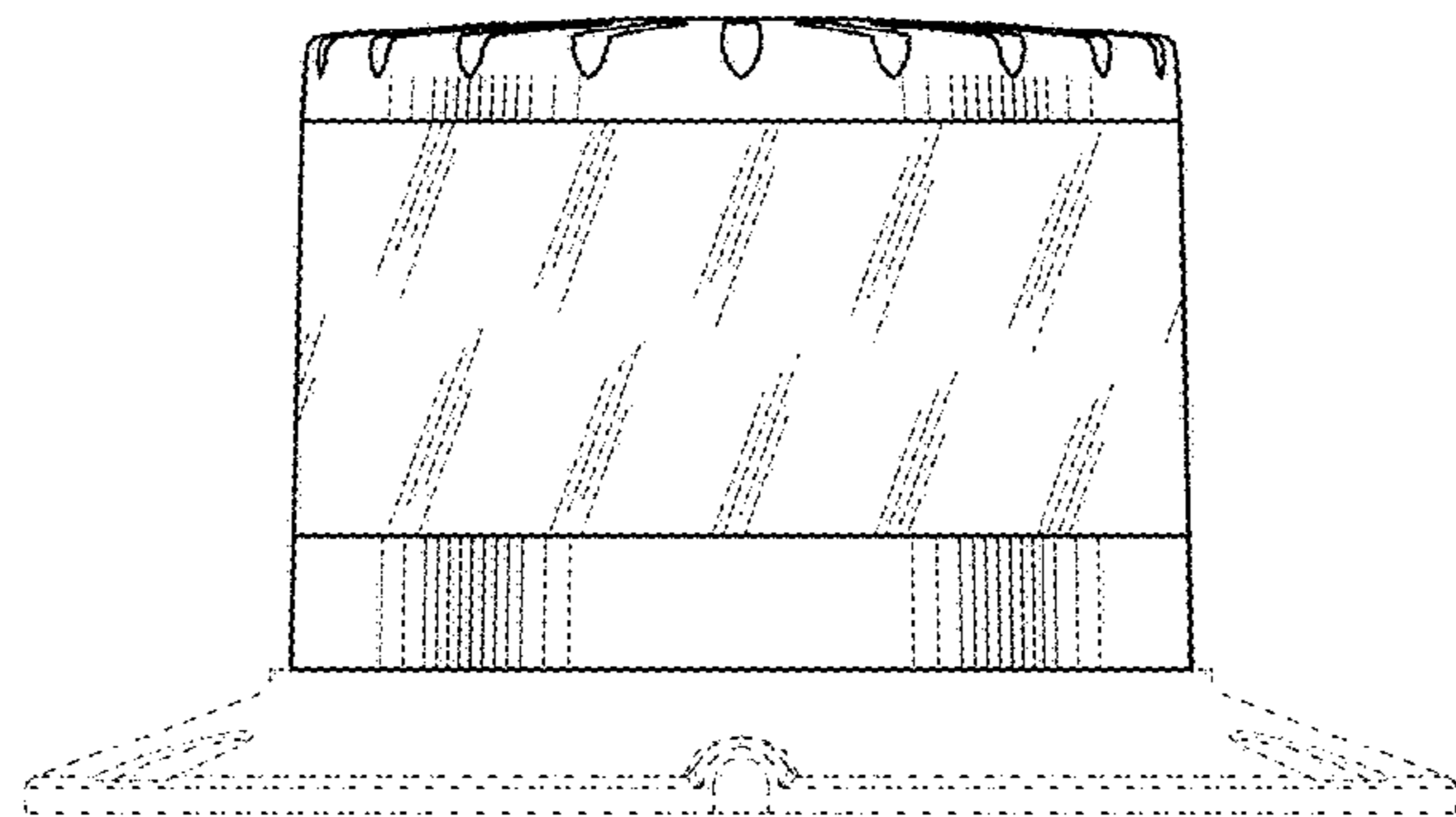


Fig.4

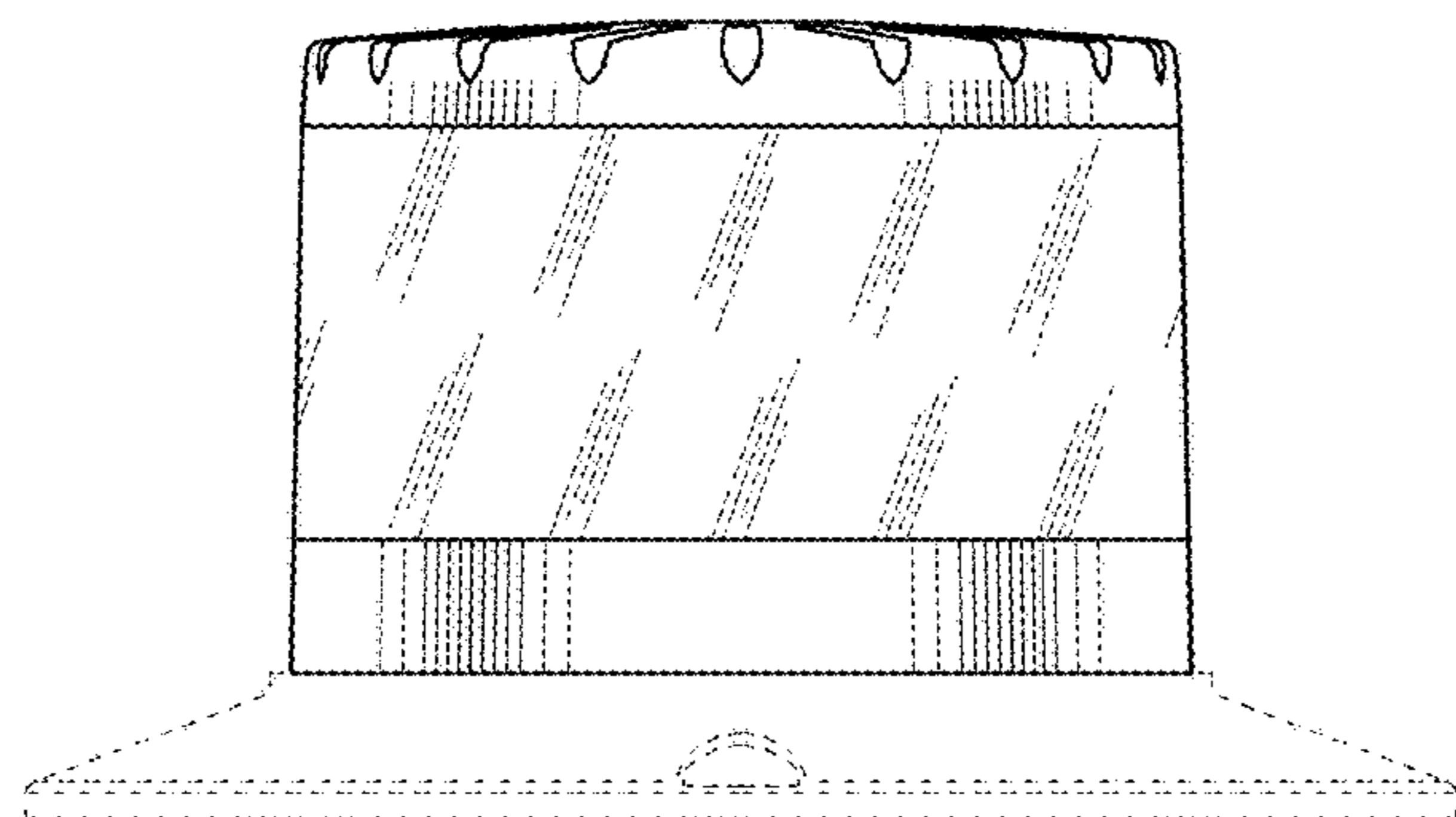


Fig.5

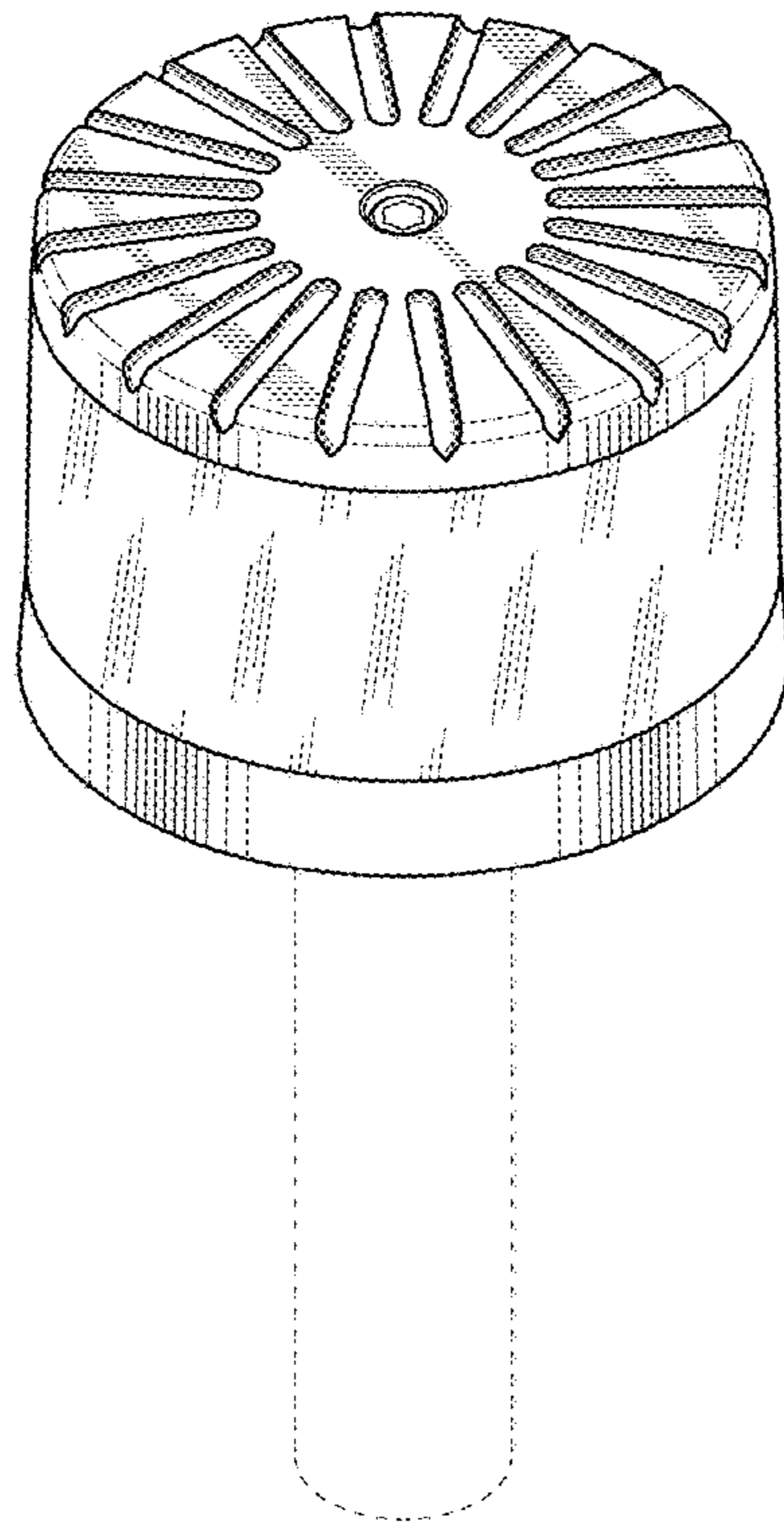


Fig.6