

US00D865558S

(12) **United States Design Patent**
Sarapuu

(10) **Patent No.:** **US D865,558 S**

(45) **Date of Patent:** **** Nov. 5, 2019**

(54) **WARNING DEVICE FOR PRESENCE OF AN OBSTACLE ON THE GROUND**

(71) Applicant: **Lars Hammar**, Bjursås (SE)

(72) Inventor: **Jaanis Sarapuu**, Kuressaare (EE)

(73) Assignee: **Lars Hammar**, Bjursås (SE)

(**) Term: **15 Years**

(21) Appl. No.: **29/579,454**

(22) Filed: **Sep. 30, 2016**

(30) **Foreign Application Priority Data**

May 19, 2016 (EM) 003141498

(51) **LOC (12) Cl.** **10-05**

(52) **U.S. Cl.**
USPC **D10/109.1**

(58) **Field of Classification Search**
USPC D10/104.1, 106.6, 107, 109.1, 109.2,
D10/113.1, 113.2, 113.3, 113.4, 114.1,
D10/116.1, 121; D20/10, 11, 12, 17, 19,
D20/41, 42, 43, 99; 116/63 P, 63 R;
248/431, 435, 440.1, 188.6; 40/584, 585,
40/610, 606, 607, 611; 404/7-11, 72;
D6/300, 310-313, 317, 319, 324
CPC G09F 15/00; G09F 7/002; E01F 9/627;
E01F 9/688
See application file for complete search history.

(56) **References Cited**

U.S. PATENT DOCUMENTS

1,983,174 A * 12/1934 Joerger E01F 9/688
40/613
2,651,487 A * 9/1953 Looock E01F 9/688
182/181.1
2,723,817 A * 11/1955 Harwood G09F 15/0087
211/182

3,007,269 A * 11/1961 Jump E01F 9/688
248/158
3,527,434 A * 9/1970 Mauro E01F 13/02
248/163.2
3,557,479 A * 1/1971 Allison et al. E01F 9/688
40/610
4,309,836 A * 1/1982 Knapp G09F 7/002
40/602

(Continued)

OTHER PUBLICATIONS

Available Oct. 10, 2018, [online], [site visited Oct. 10, 2018].
Available from Internet, <URL:http://www.sign-mart.com/foldable-
wire-stand.html> (Year: 2018).*

(Continued)

Primary Examiner — Cathron C Brooks
Assistant Examiner — Katrina N Gonzalez
(74) *Attorney, Agent, or Firm* — Dilworth & Barrese,
LLP

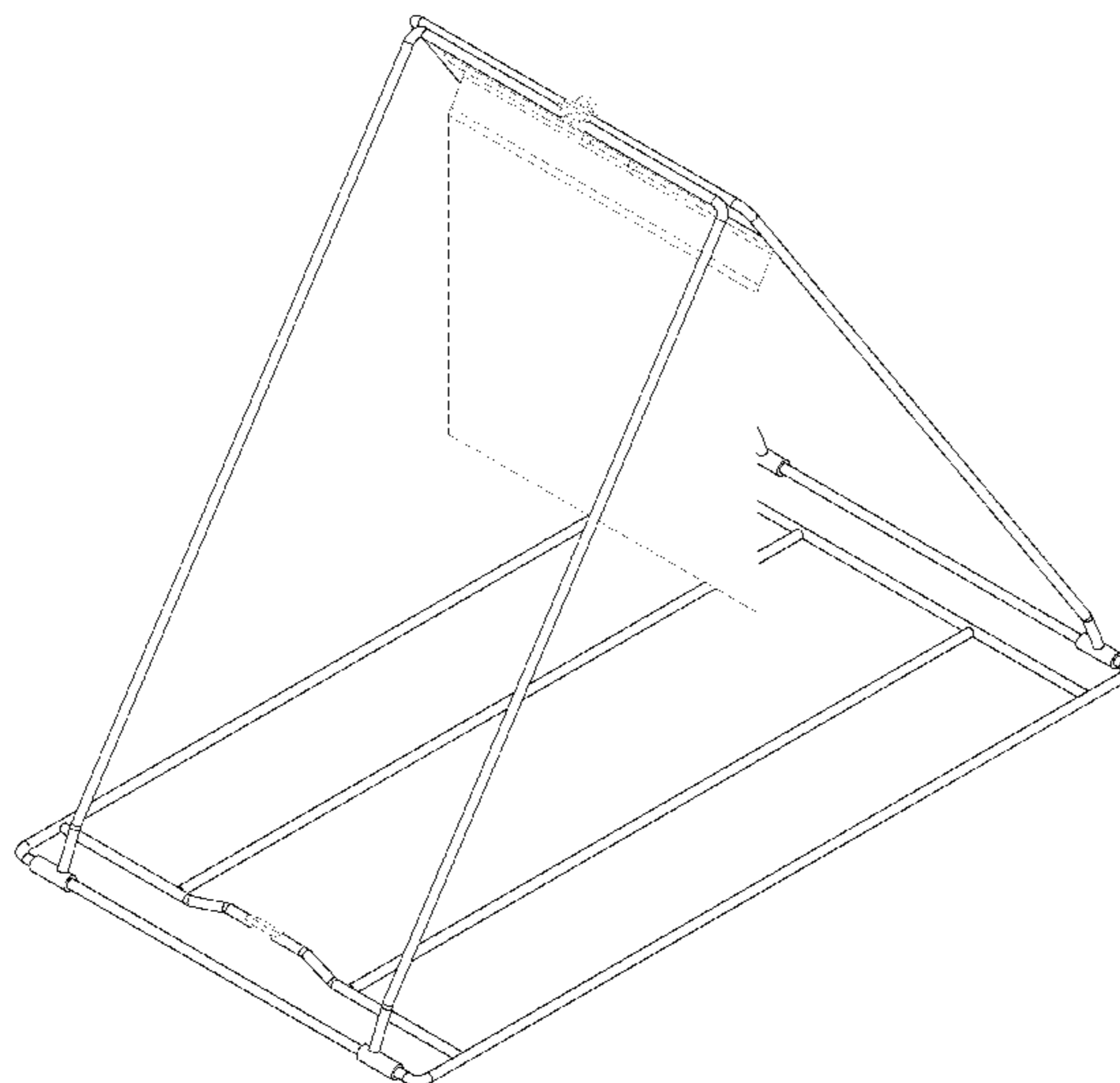
(57) **CLAIM**

The ornamental design for a warning device for presence of an obstacle on the ground, as shown and described.

DESCRIPTION

FIG. 1 is a front, right perspective view of the warning device for presence of an obstacle on the ground, showing my new design;
FIG. 2 is a left side elevational view thereof, the right side elevational view being a mirror image thereof;
FIG. 3 is a front elevational view thereof;
FIG. 4 is a rear elevational view thereof;
FIG. 5 is a top plan view thereof;
FIG. 6 is a bottom plan view thereof; and,
FIG. 7 is a front, right perspective view thereof, shown in a folded condition.
The broken lines illustrate portions that form no part of the claimed design.

1 Claim, 7 Drawing Sheets



(56)

References Cited

U.S. PATENT DOCUMENTS

D271,218 S * 11/1983 Farmer D20/10
 5,028,031 A * 7/1991 Stoudt G09F 15/0018
 248/188.6
 5,365,687 A * 11/1994 Sclater G09F 21/04
 40/591
 5,551,178 A * 9/1996 Foley G09F 15/0062
 248/431
 D395,334 S * 6/1998 Eberle D10/109.1
 D396,252 S * 7/1998 Geier D20/10
 6,038,802 A * 3/2000 Tidwell G09F 15/0025
 135/127
 6,052,067 A * 4/2000 Nuxoll G08G 1/0955
 340/908
 6,393,748 B1 * 5/2002 Cooper G09F 7/18
 248/165
 D564,763 S * 3/2008 Yue D6/313
 D650,593 S * 12/2011 Tang D6/311
 8,096,071 B2 * 1/2012 Wilson G09F 7/18
 40/606.01
 D787,969 S * 5/2017 Tsui D10/113.4
 2005/0091894 A1 * 5/2005 Hamilton G09F 15/0062
 40/610

2009/0107020 A1* 4/2009 Aires G09F 7/00
 40/610
 2010/0202828 A1* 8/2010 Ashmead E01F 13/02
 404/6
 2013/0321259 A1* 12/2013 Insko G09F 15/00
 345/156
 2015/0228207 A1* 8/2015 Murakami G09F 1/06
 40/610
 2015/0275446 A1* 10/2015 Rust E01F 13/022
 256/26

OTHER PUBLICATIONS

Available Apr. 29, 2017, [online], [site visited Oct. 10, 2018].
 Available from Internet, <URL:https://web.archive.org/web/20170429090451/https://www.thinksafety.com.au/product/swing-stand-for-900-x-600-metal-sign/> (Year: 2017).*

Available Oct. 10, 2018, [online], [site visited Oct. 10, 2018].
 Available from Internet, <URL:https://rongxiangcn.en.made-in-china.com/product/xBZnKveoLjhQ/China-Australia-Roadsafety-Swing-Sign-Stand-Frame.html> (Year: 2018).*

* cited by examiner

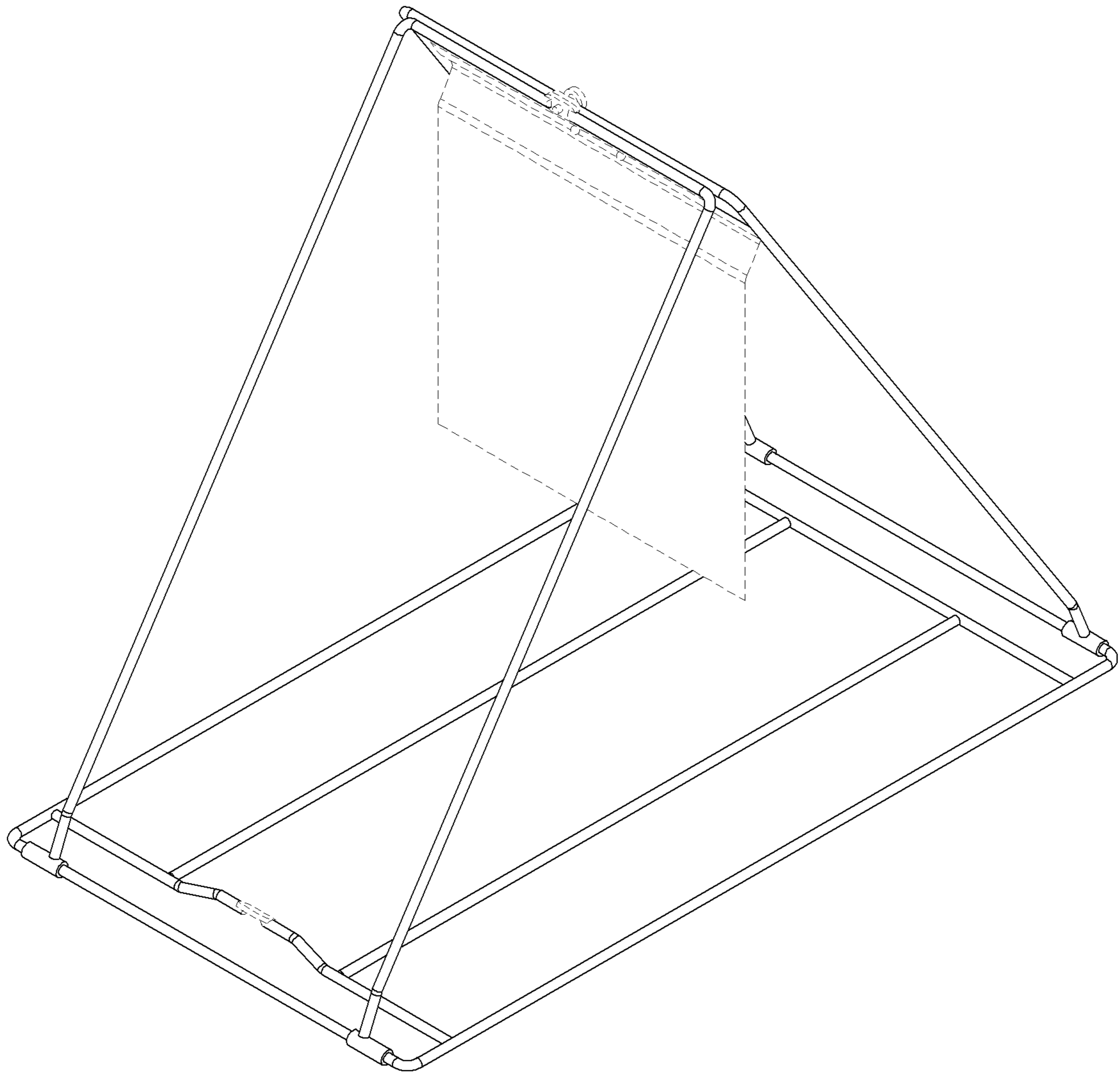


FIG. 1

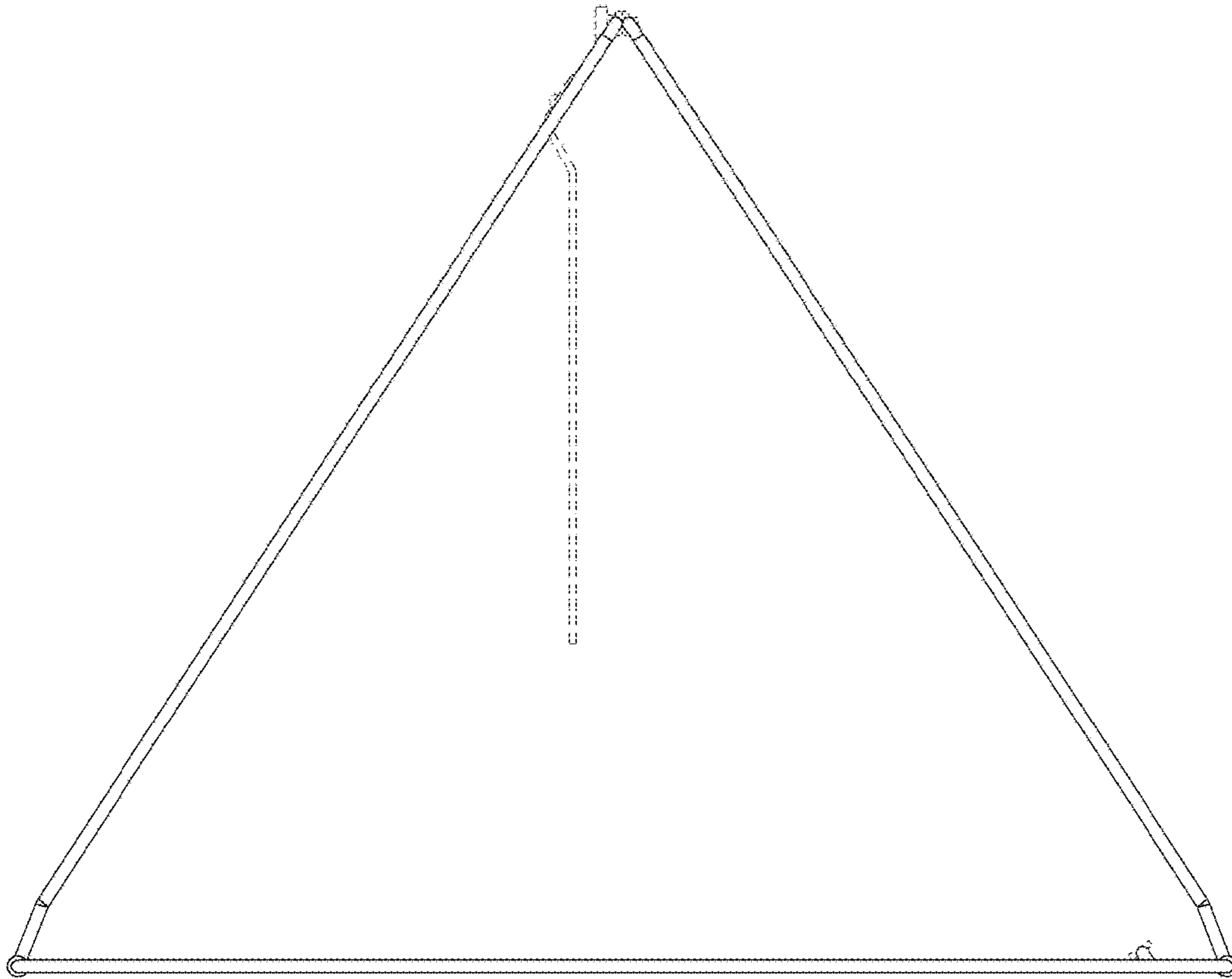


FIG. 2

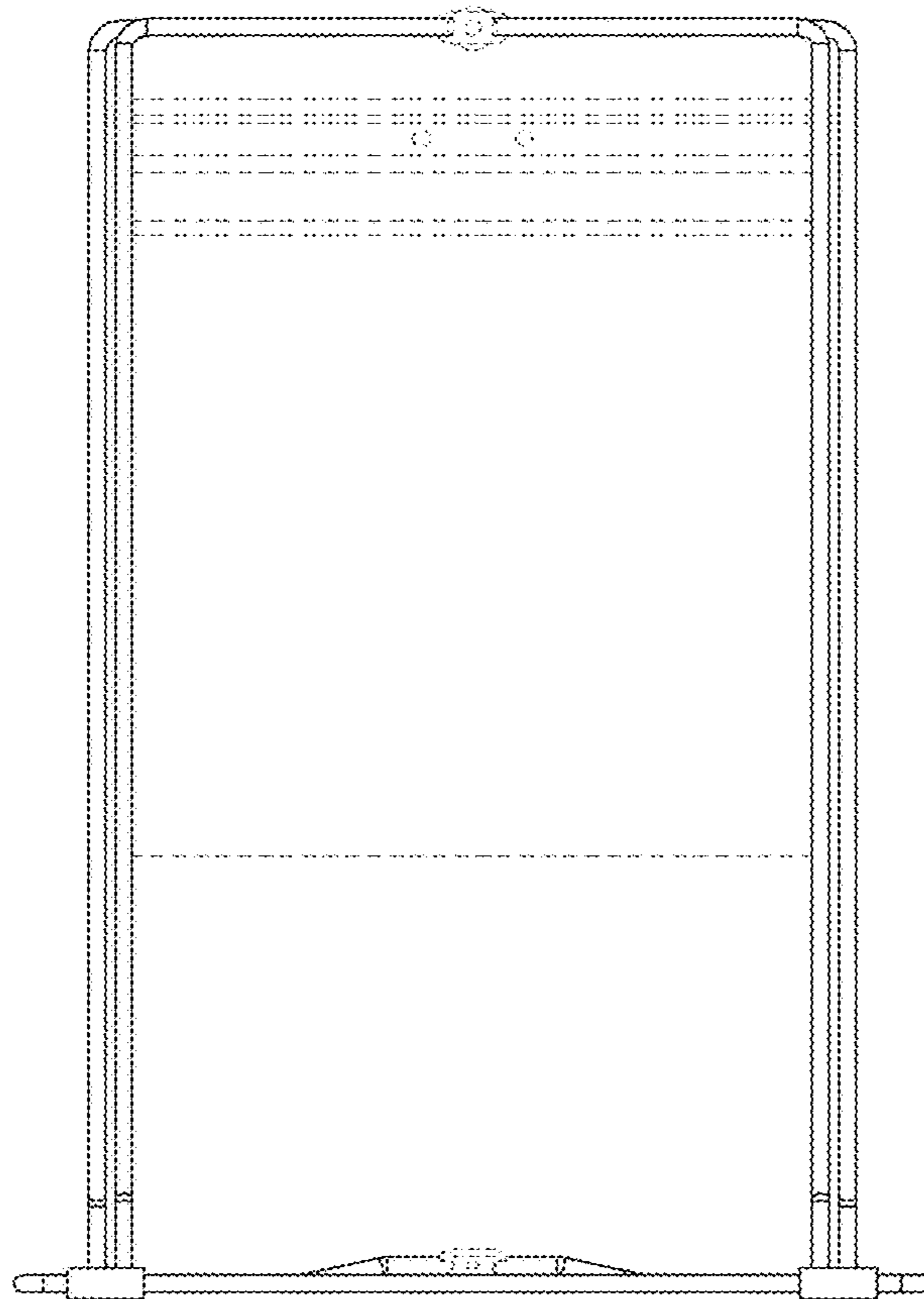


FIG. 3

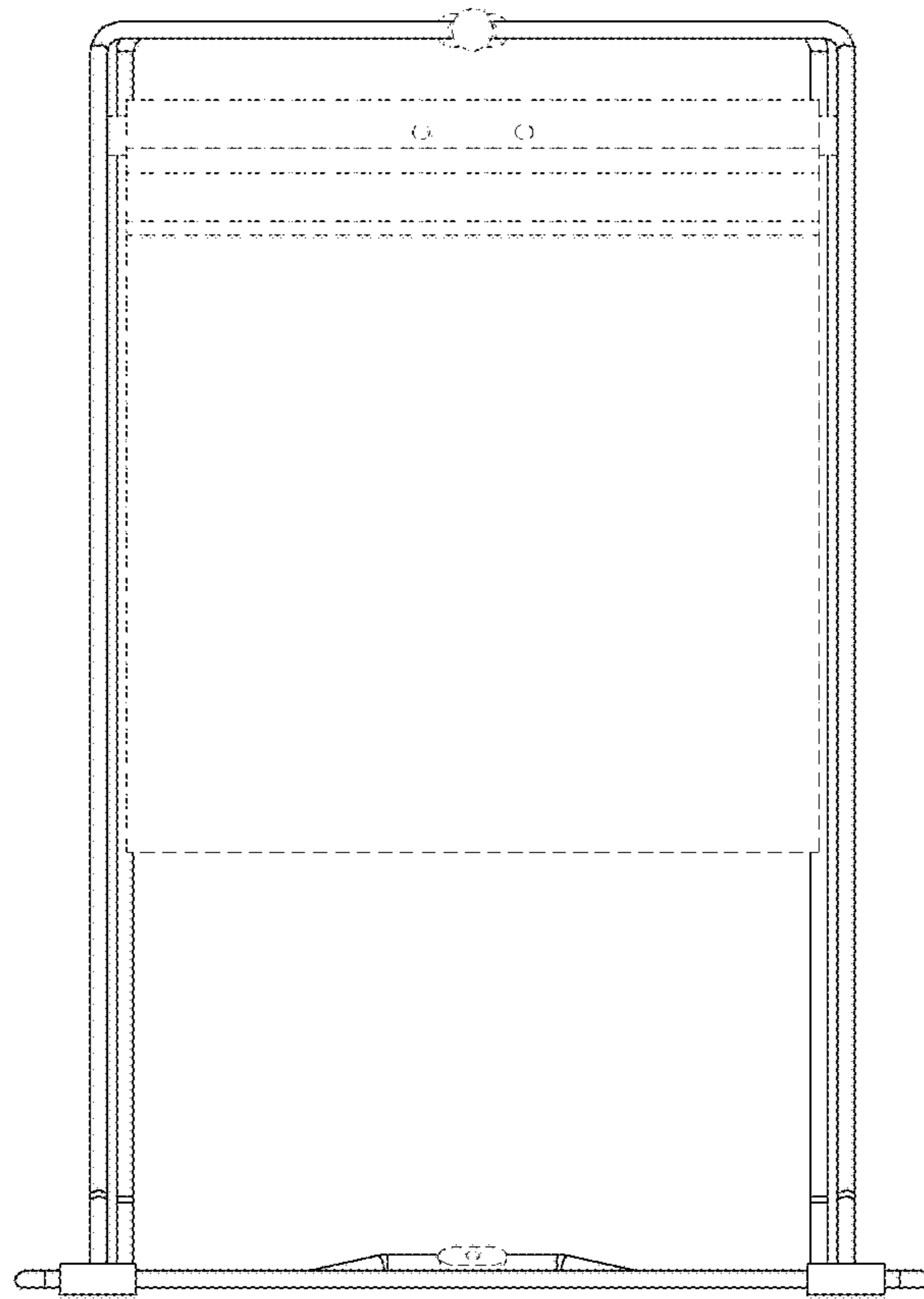


FIG. 4

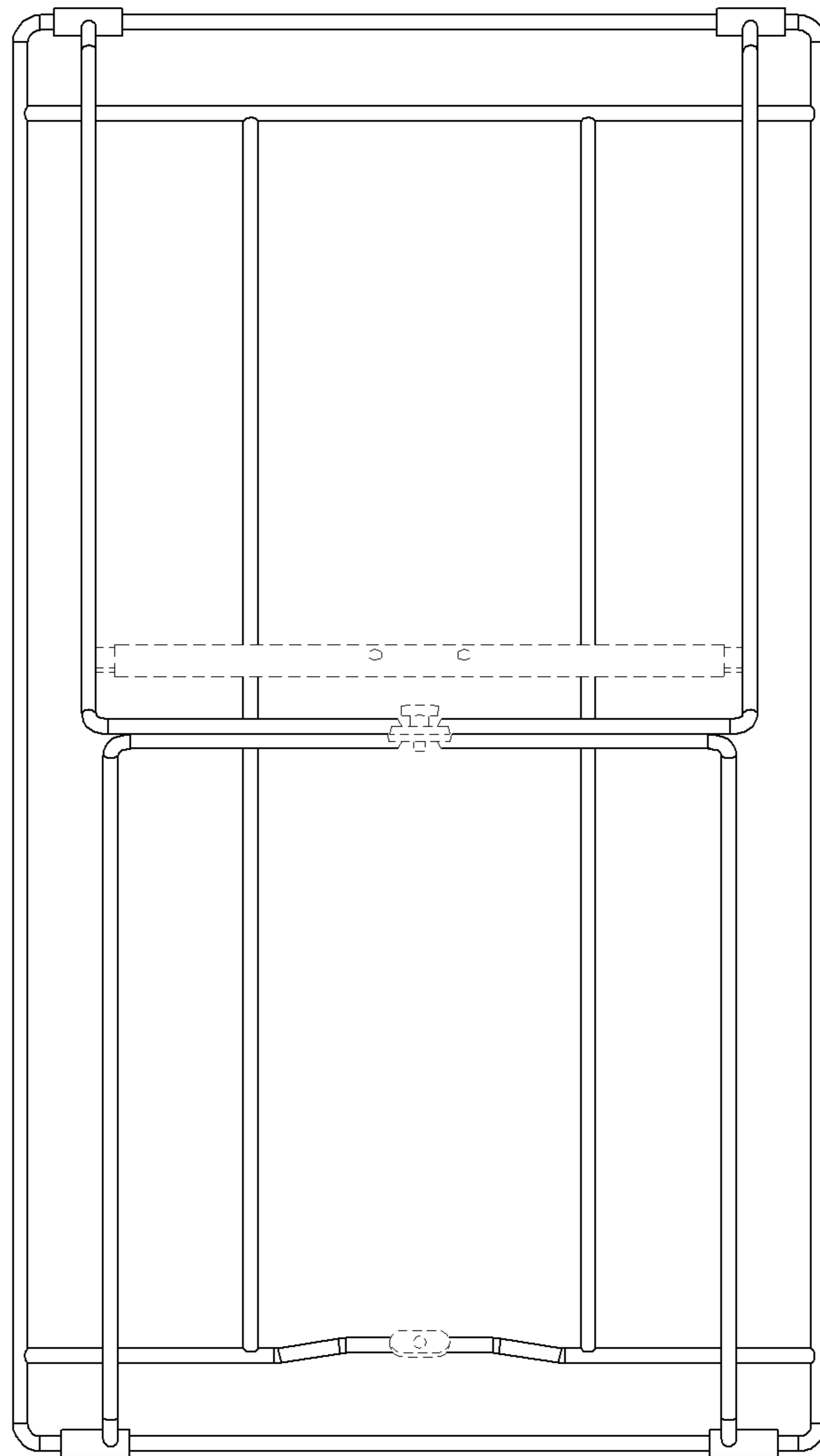


FIG. 5

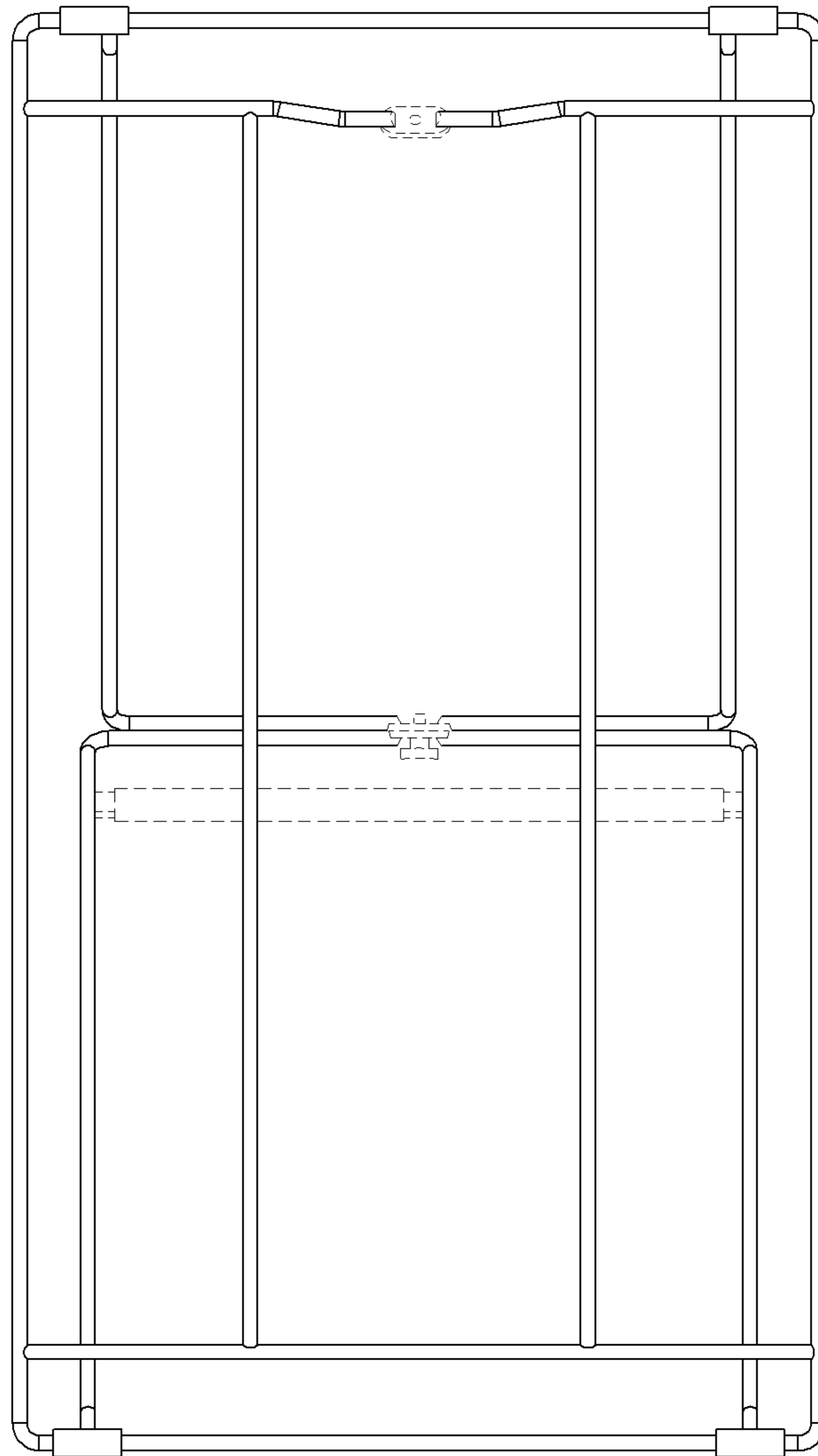


FIG. 6

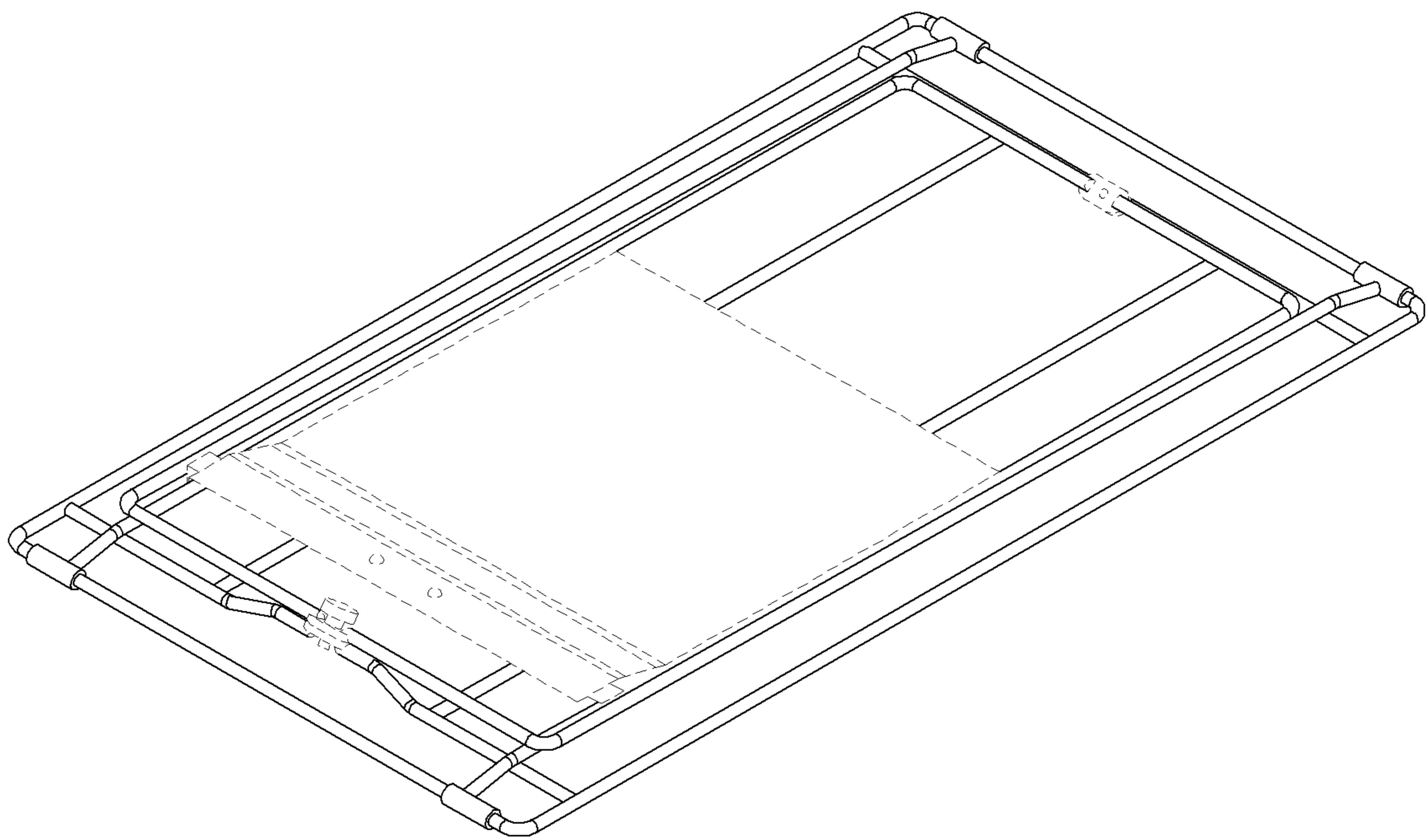


FIG. 7