



US00D86555S

(12) **United States Design Patent** (10) **Patent No.:** **US D865,555 S**  
**Shames et al.** (45) **Date of Patent:** **\*\* Nov. 5, 2019**

(54) **WEARABLE DEVICE**

- (71) Applicant: **EMBR Labs Inc.**, Somerville, MA (US)
- (72) Inventors: **Samuel Shames**, Cambridge, MA (US); **David Cohen-Tanugi**, Somerville, MA (US); **Gregor Mittersinker**, Providence, RI (US); **Rance Pritchard**, Providence, RI (US); **Christopher J. O'Connell**, Providence, RI (US); **Walmen Dumaliang**, Providence, RI (US)
- (73) Assignee: **EMBR Labs Inc.**, Somerville, MA (US)
- (\*\*) Term: **15 Years**
- (21) Appl. No.: **29/663,007**
- (22) Filed: **Sep. 11, 2018**

**Related U.S. Application Data**

- (62) Division of application No. 29/574,277, filed on Aug. 12, 2016, now Pat. No. Des. 830,874.
  - (51) **LOC (12) Cl.** ..... **10-04**
  - (52) **U.S. Cl.**  
USPC ..... **D10/103**; D10/30; D10/60
  - (58) **Field of Classification Search**  
USPC ..... D10/31, 32, 38, 49, 50, 51, 102, 103; D14/344; D13/177  
CPC ..... H61F 7/00; H61F 7/02; H61F 2007/0029; H61F 2007/0031; H61F 2007/0034; H61F 2007/0035; H61F 2007/0036; H61F 2007/0075; H61F 2007/0076; H61F 2007/0087; H61F 2007/0088; H61F 2007/0095; H61F 2007/0096; H61F 2007/0225; H61F 2007/0228; H61F 2007/0231; H05B 3/06; H05B 3/08
- See application file for complete search history.

(56) **References Cited**

U.S. PATENT DOCUMENTS

D339,755 S	9/1993	Bonnell	
8,658,943 B1	2/2014	Larsen et al.	
D715,758 S	10/2014	Yun et al.	
D717,261 S	11/2014	Yun et al.	
D730,750 S *	6/2015	Menard .....	D10/122
9,734,704 B2	8/2017	Lee	
D830,874 S	10/2018	Shames et al.	

\* cited by examiner

*Primary Examiner* — Antoine Duval Davis

(74) *Attorney, Agent, or Firm* — Wolf, Greenfield & Sacks, P.C.

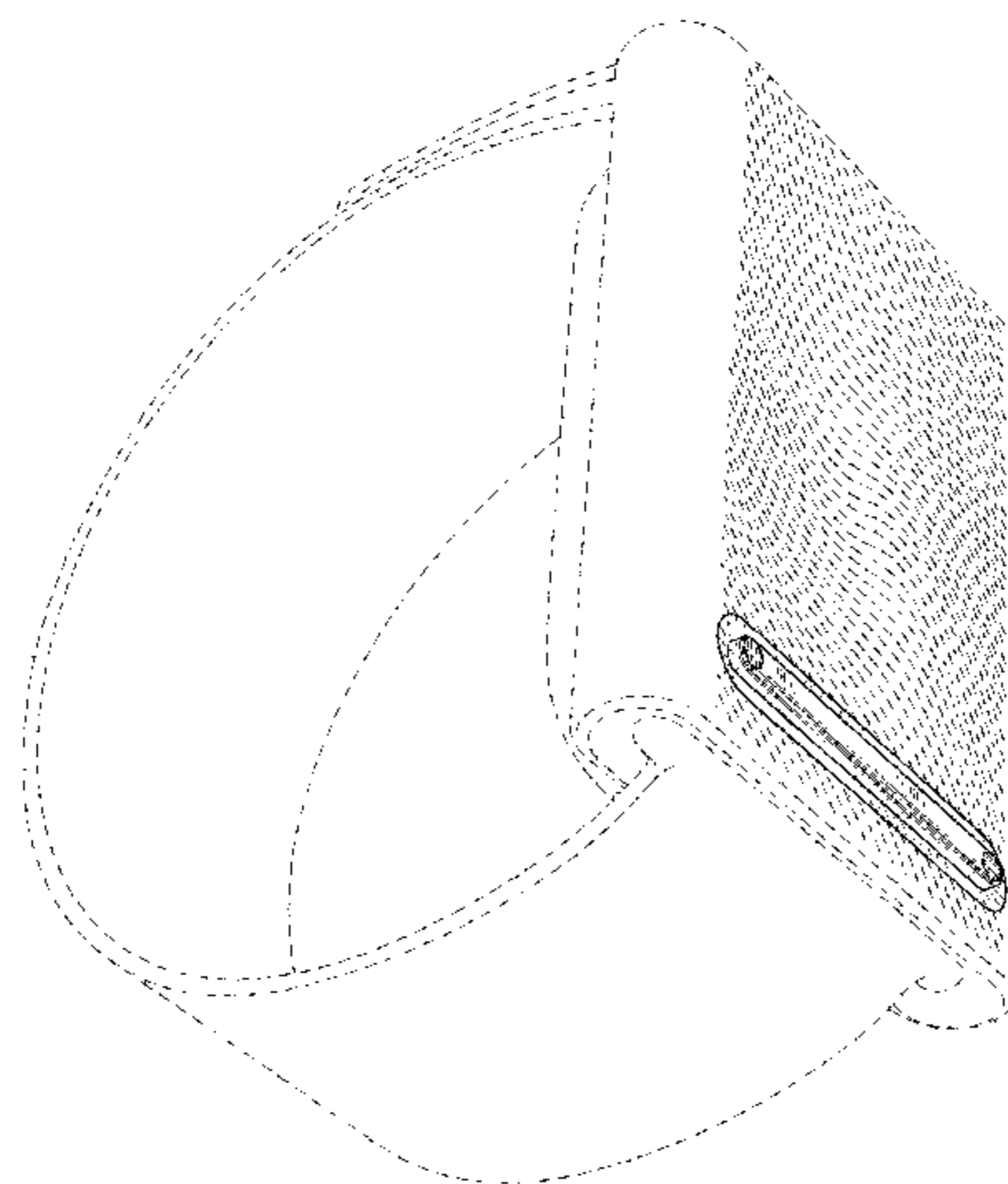
(57) **CLAIM**

The ornamental design for a wearable device, as shown and described.

**DESCRIPTION**

FIG. 1 is a bottom, front, left side perspective view of a wearable device showing a first embodiment of our new design;  
 FIG. 2 is a front elevation view thereof;  
 FIG. 3 is a rear elevation view thereof;  
 FIG. 4 is a left side elevation view thereof;  
 FIG. 5 is a right side elevation view thereof;  
 FIG. 6 is a top plan view thereof;  
 FIG. 7 is a bottom plan view thereof; and,  
 FIG. 8 is a bottom, rear, left side perspective view thereof.  
 The dash-dash broken lines represent portions of the wearable device that form no part of the claimed design. The dot-dash broken lines represent boundaries of the claimed design and form no part of the claimed design. The drawings in FIGS. 1-2 are lined for color. Specifically, the vertically lined circle in FIG. 2 is lined for the color red, and the horizontally lined circle in FIG. 2 is lined for the color blue.

**1 Claim, 7 Drawing Sheets**



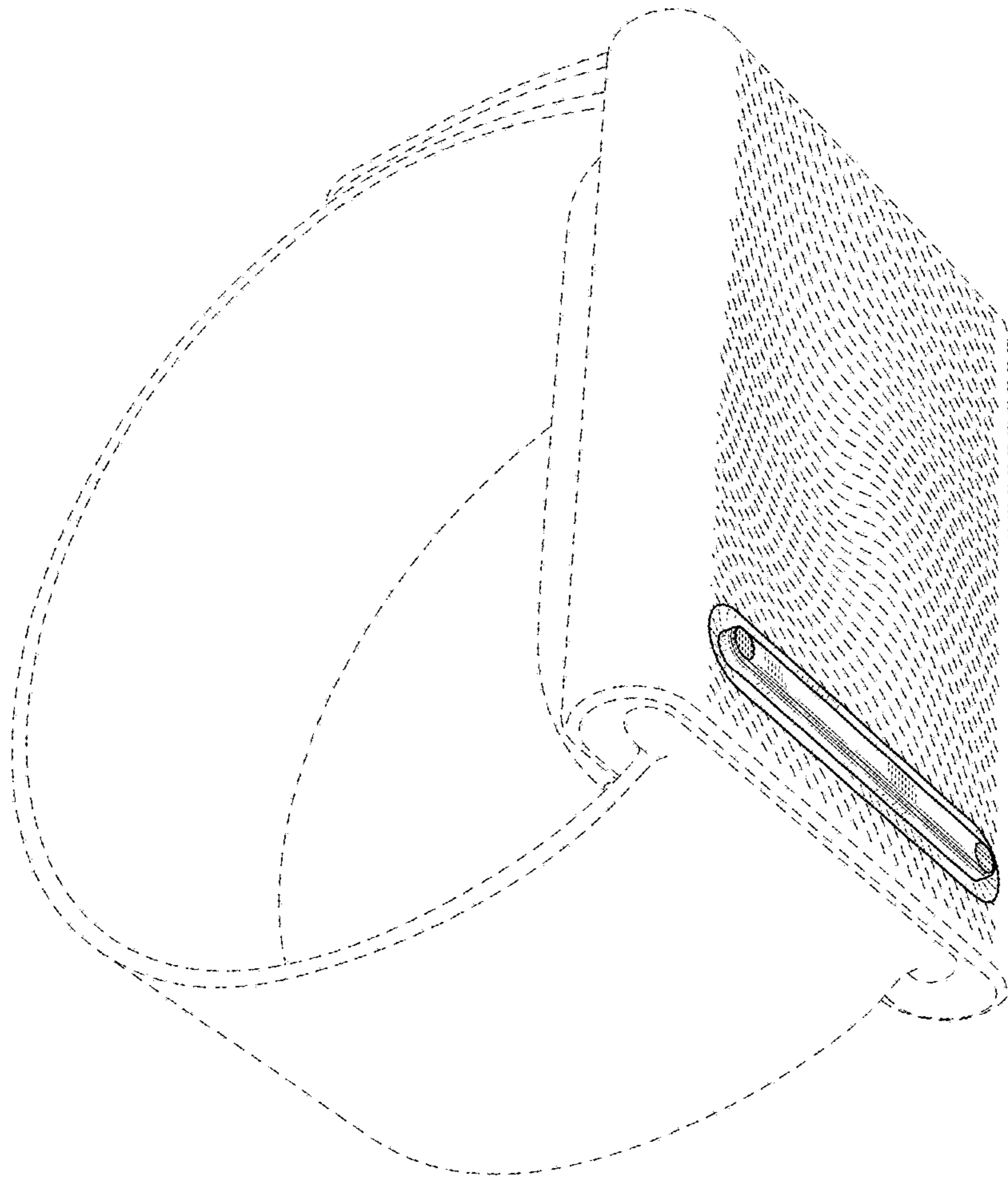


FIG. 1

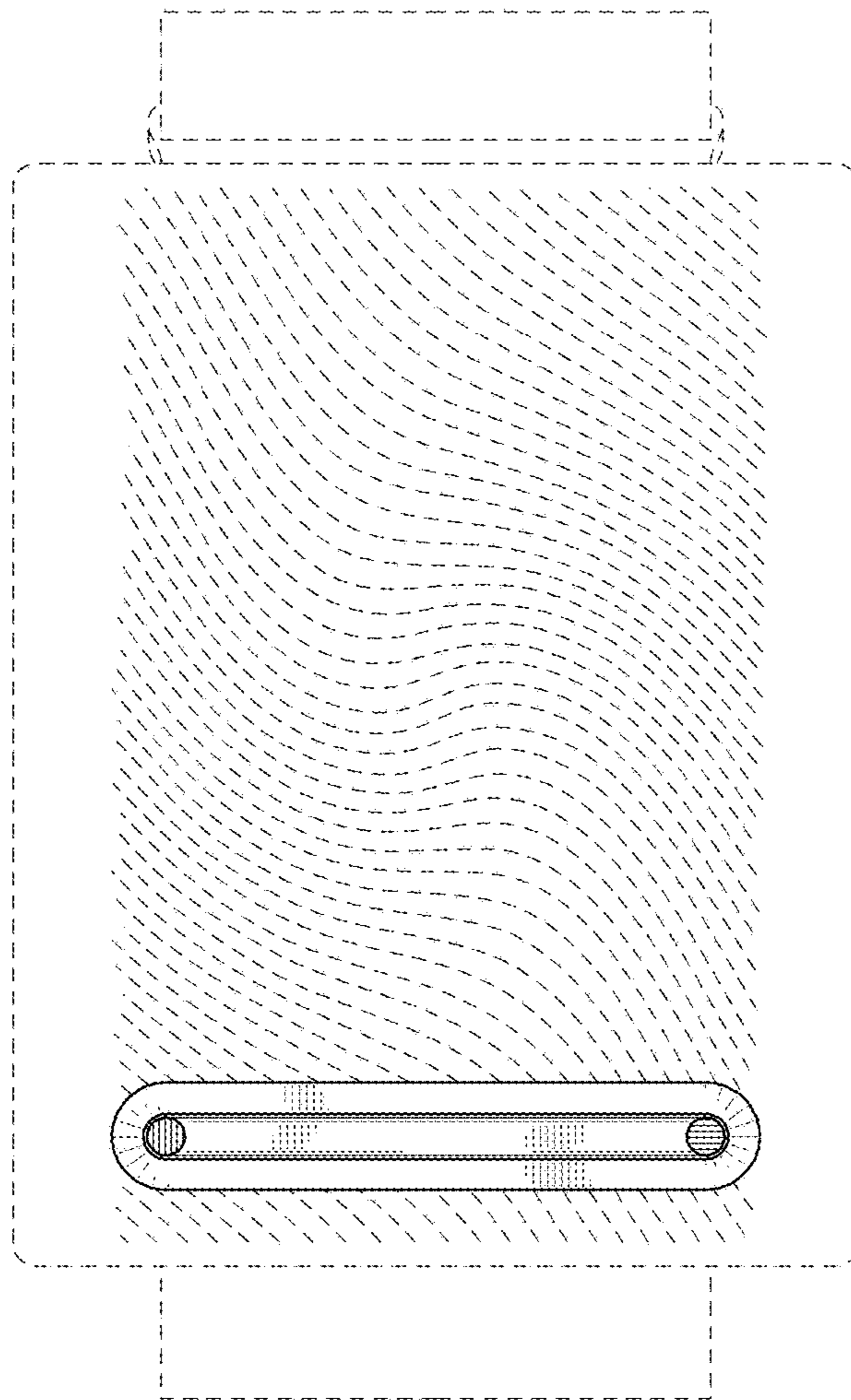


FIG. 2

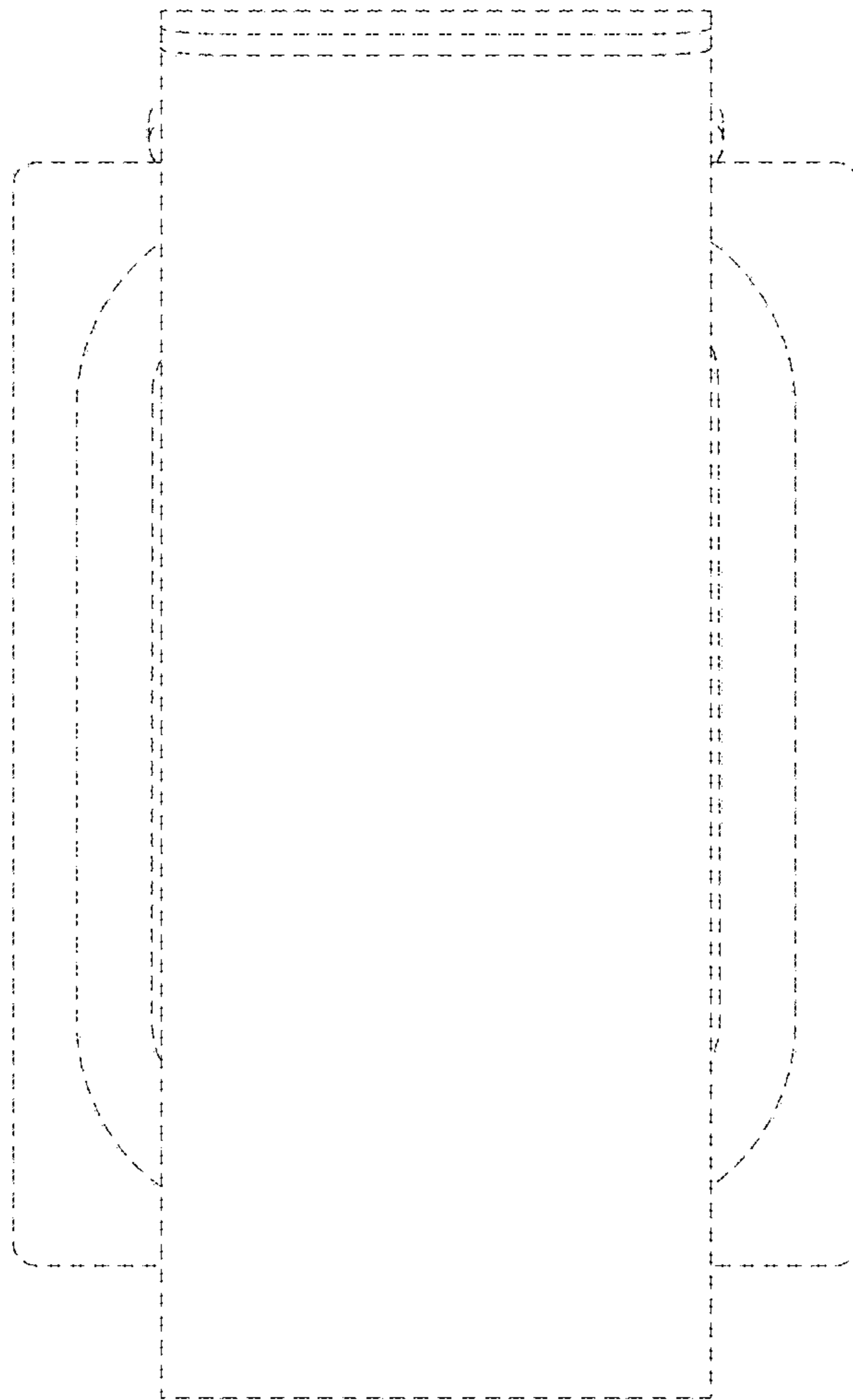


FIG. 3

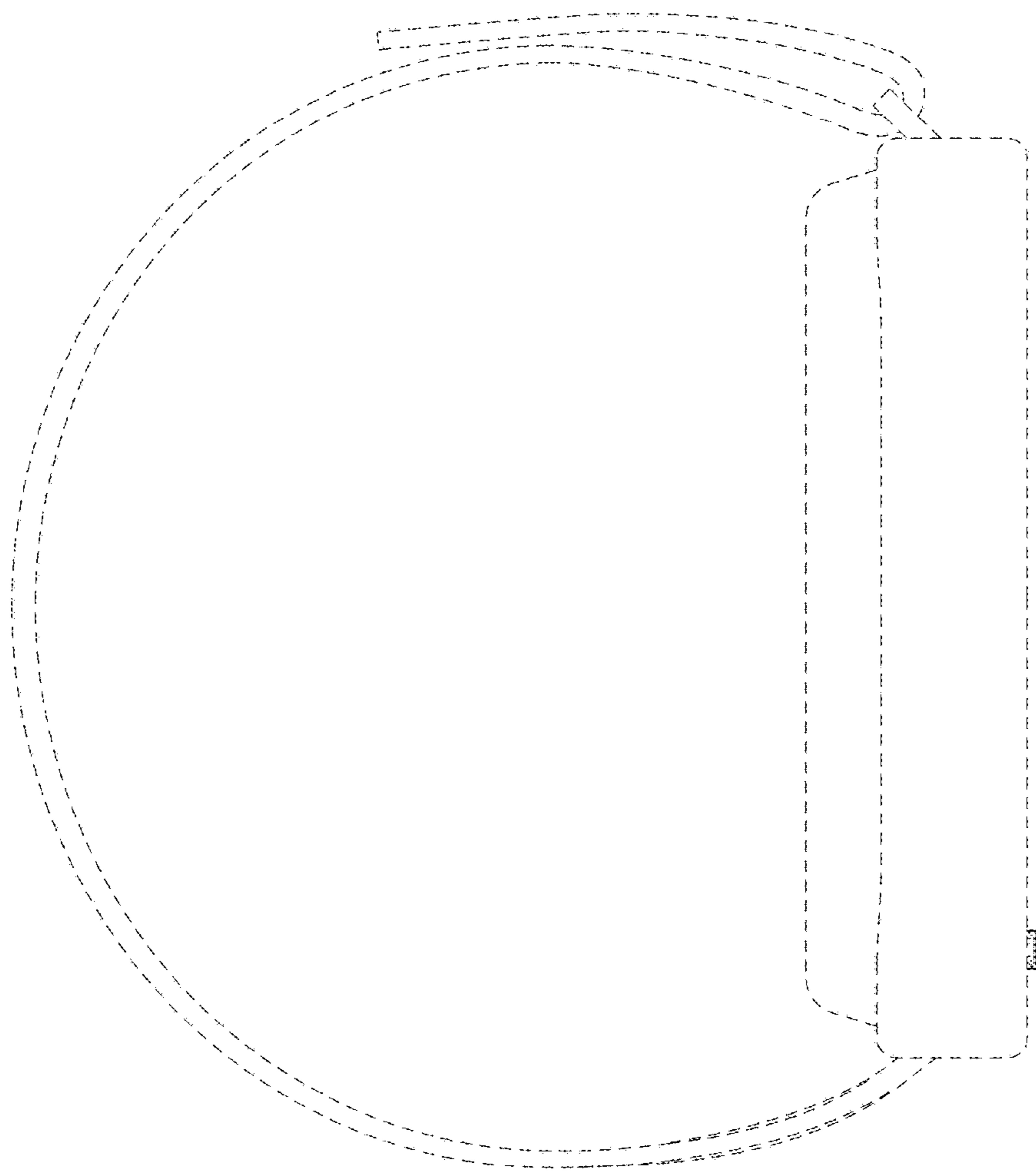


FIG. 4

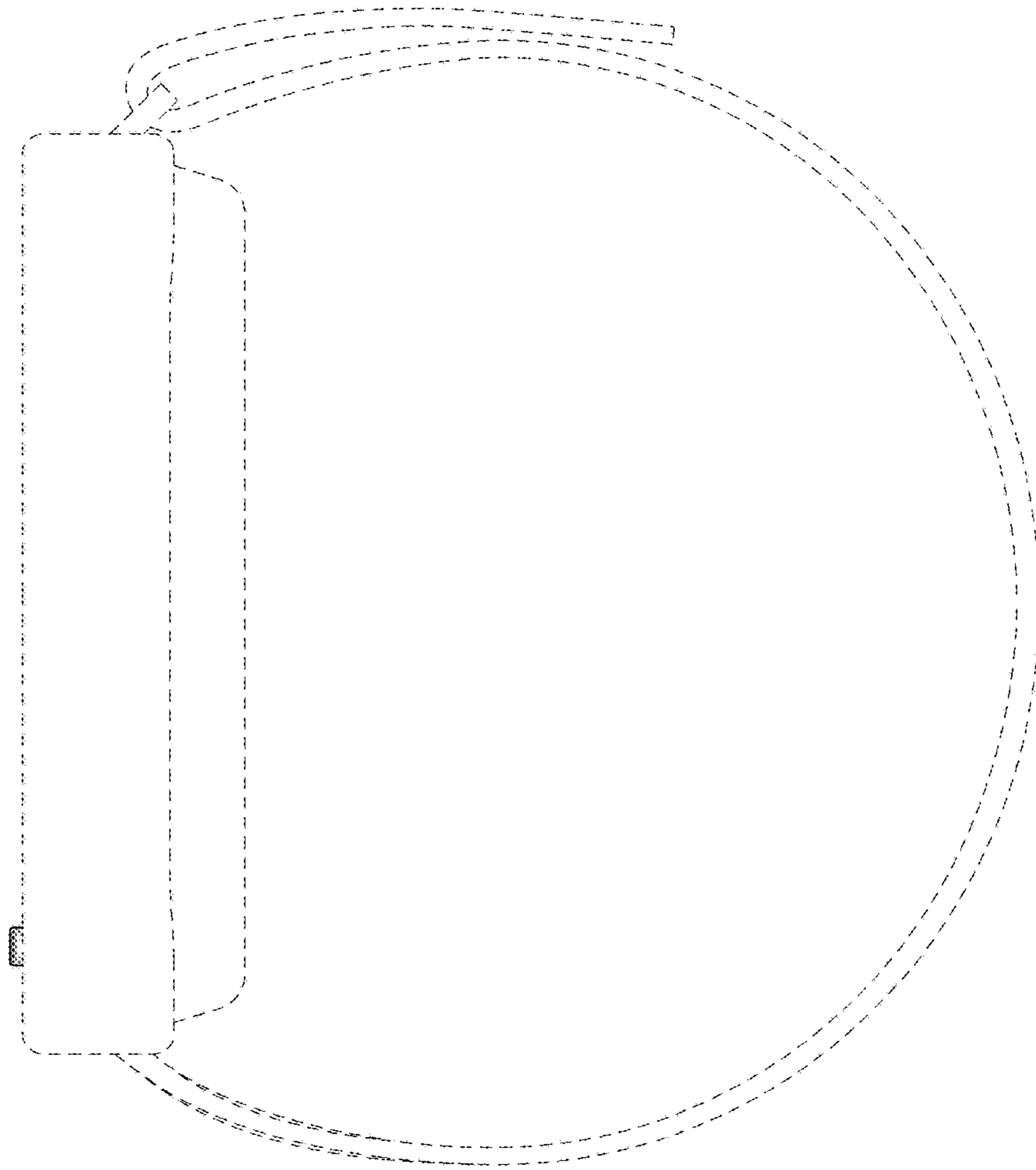


FIG. 5



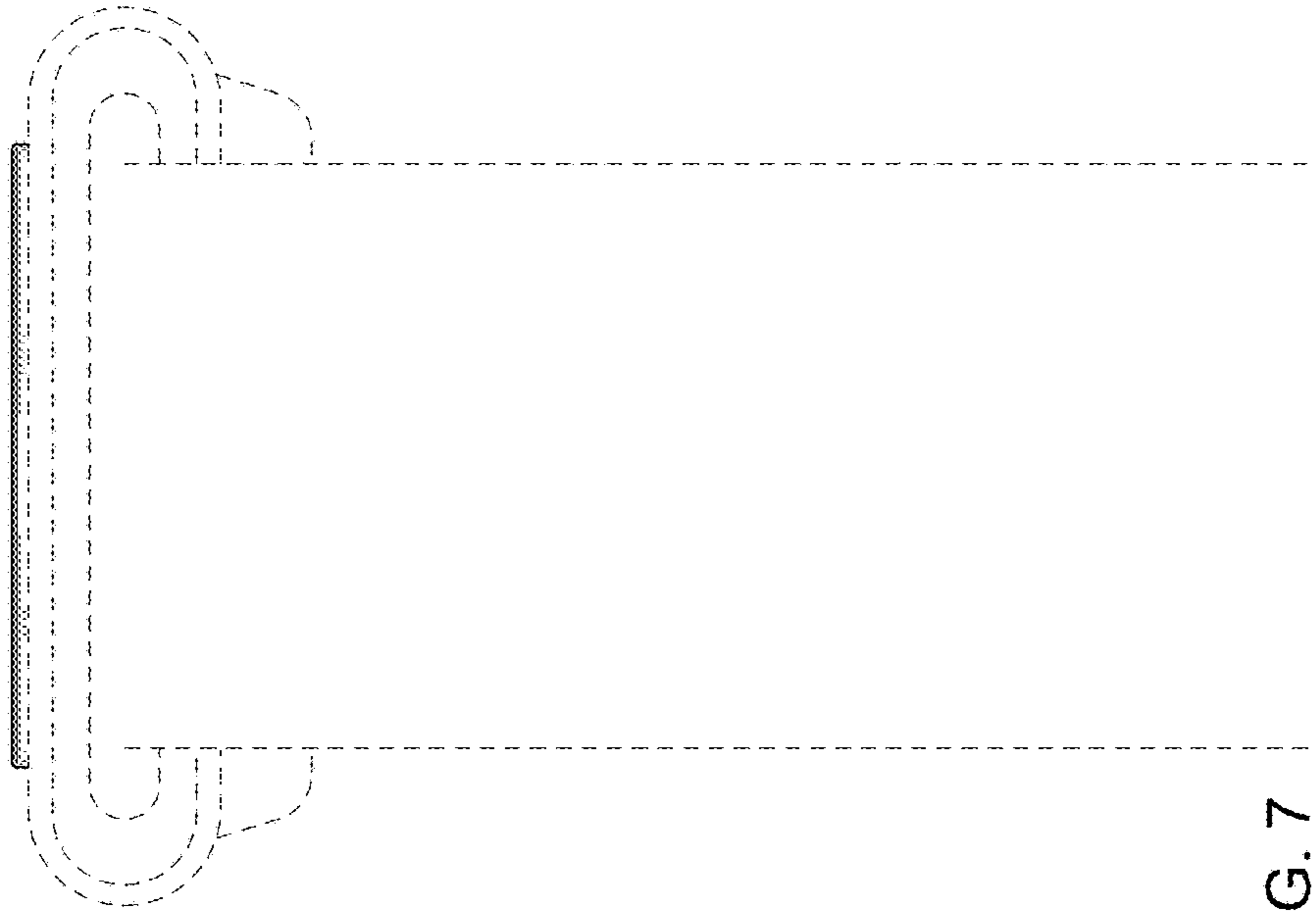


FIG. 6

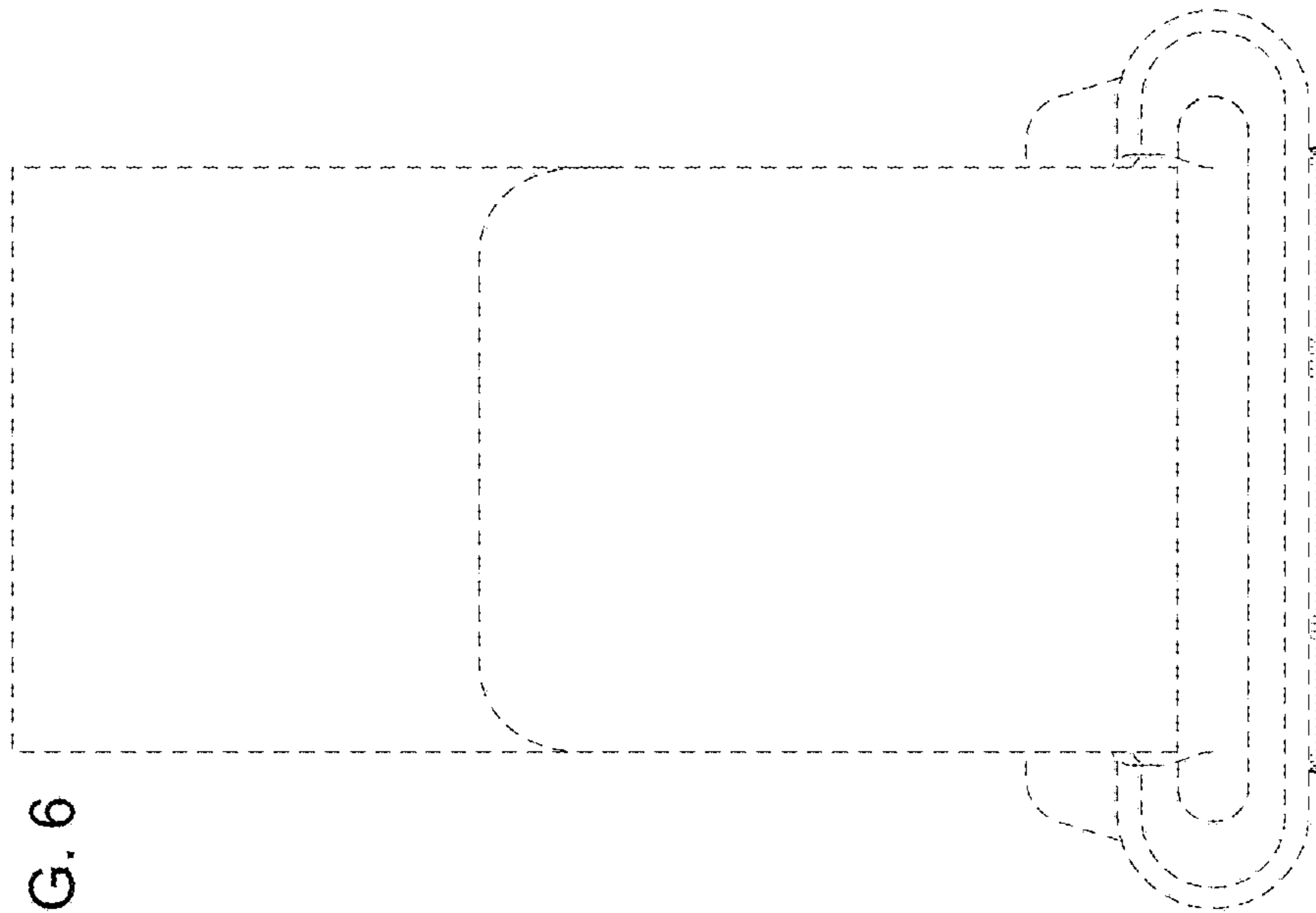


FIG. 7

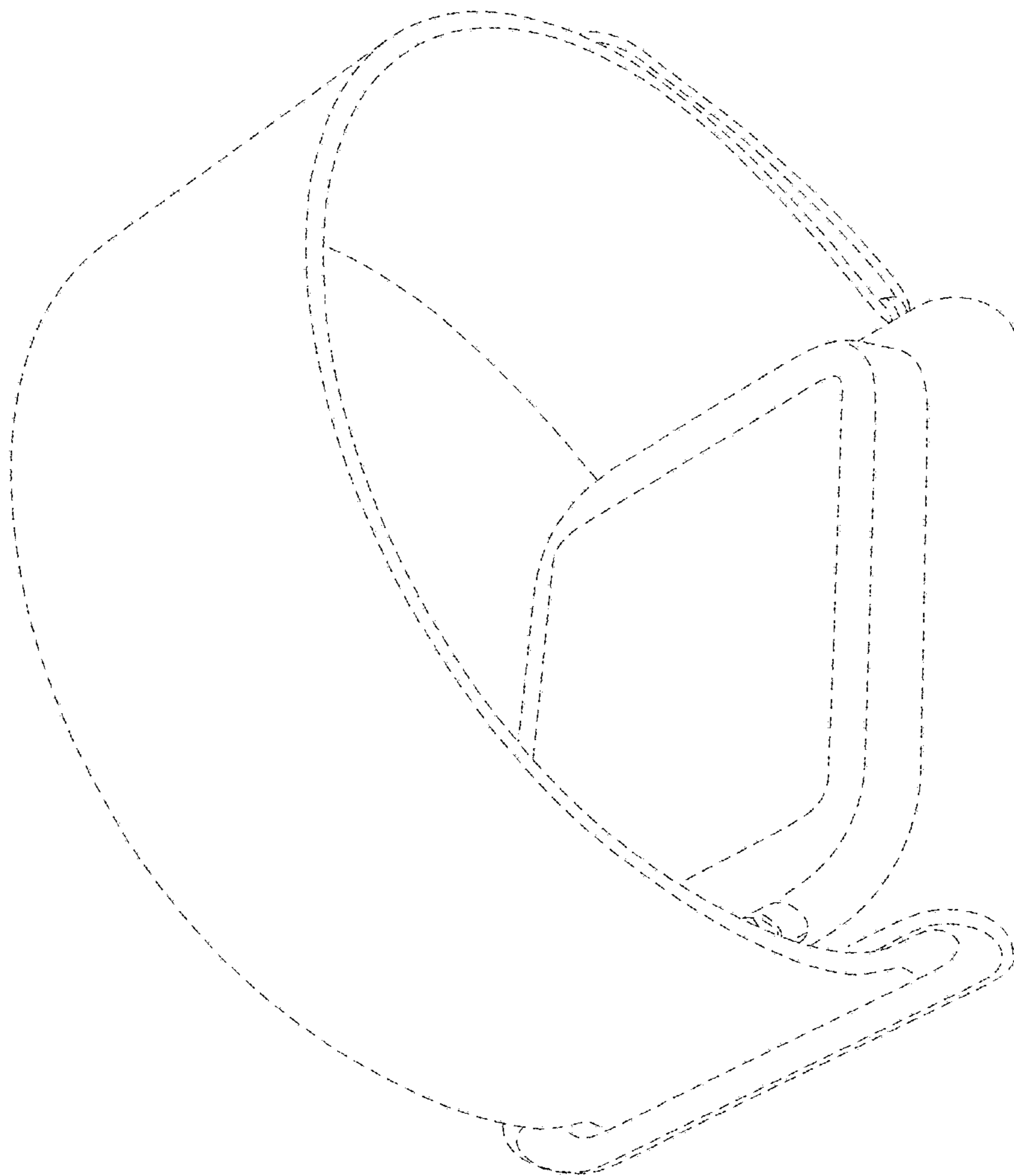


FIG. 8