



US00D86553S

(12) **United States Design Patent** (10) **Patent No.:** **US D865,553 S**
Yu (45) **Date of Patent:** **** Nov. 5, 2019**

(54) **ELECTRONIC SCALE**
(71) Applicant: **SHENZHEN UNIQUE SCALES CO., LTD.**, Shenzhen (CN)
(72) Inventor: **Huayun Yu**, Shenzhen (CN)
(73) Assignee: **SHENZHEN UNIQUE SCALES CO., LTD.**, Shenzhen (CN)
(**) Term: **15 Years**
(21) Appl. No.: **29/653,184**
(22) Filed: **Jun. 13, 2018**
(51) **LOC (12) Cl.** **10-04**
(52) **U.S. Cl.**
USPC **D10/92**
(58) **Field of Classification Search**
USPC D10/92
CPC G01G 19/44; G01G 19/445; G01G 19/46;
G01G 19/48; G01G 19/50; G01G 21/28;
G01G 21/44

See application file for complete search history.

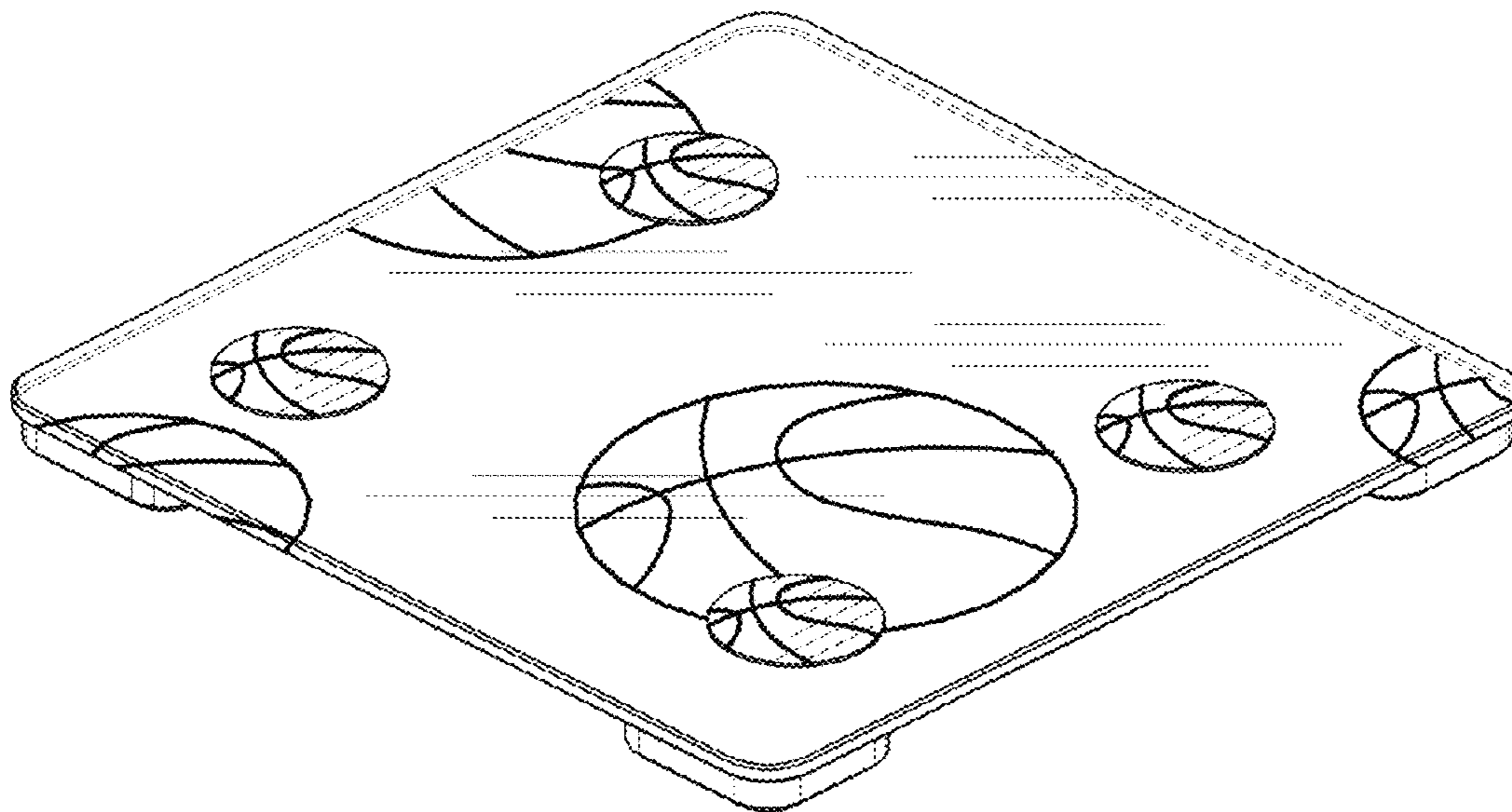
(56) **References Cited**
U.S. PATENT DOCUMENTS
9,395,234 B2 * 7/2016 Cosentino G01G 21/23
* cited by examiner
Primary Examiner — Antoine Duval Davis
(74) *Attorney, Agent, or Firm* — Juan Carlos A. Marquez;
Marquez IP Law Office, PLLC

(57) **CLAIM**
The ornamental design for an electronic scale, as shown and described.

DESCRIPTION

FIG. 1 is a perspective view of an electronic scale, showing my new design;
FIG. 2 is a front view thereof;
FIG. 3 is a rear view thereof;
FIG. 4 is a left-side view thereof;
FIG. 5 is a right-side view thereof;
FIG. 6 is a top view thereof;
FIG. 7 is a bottom view thereof; and,
FIG. 8 is a bottom perspective view thereof.

1 Claim, 6 Drawing Sheets



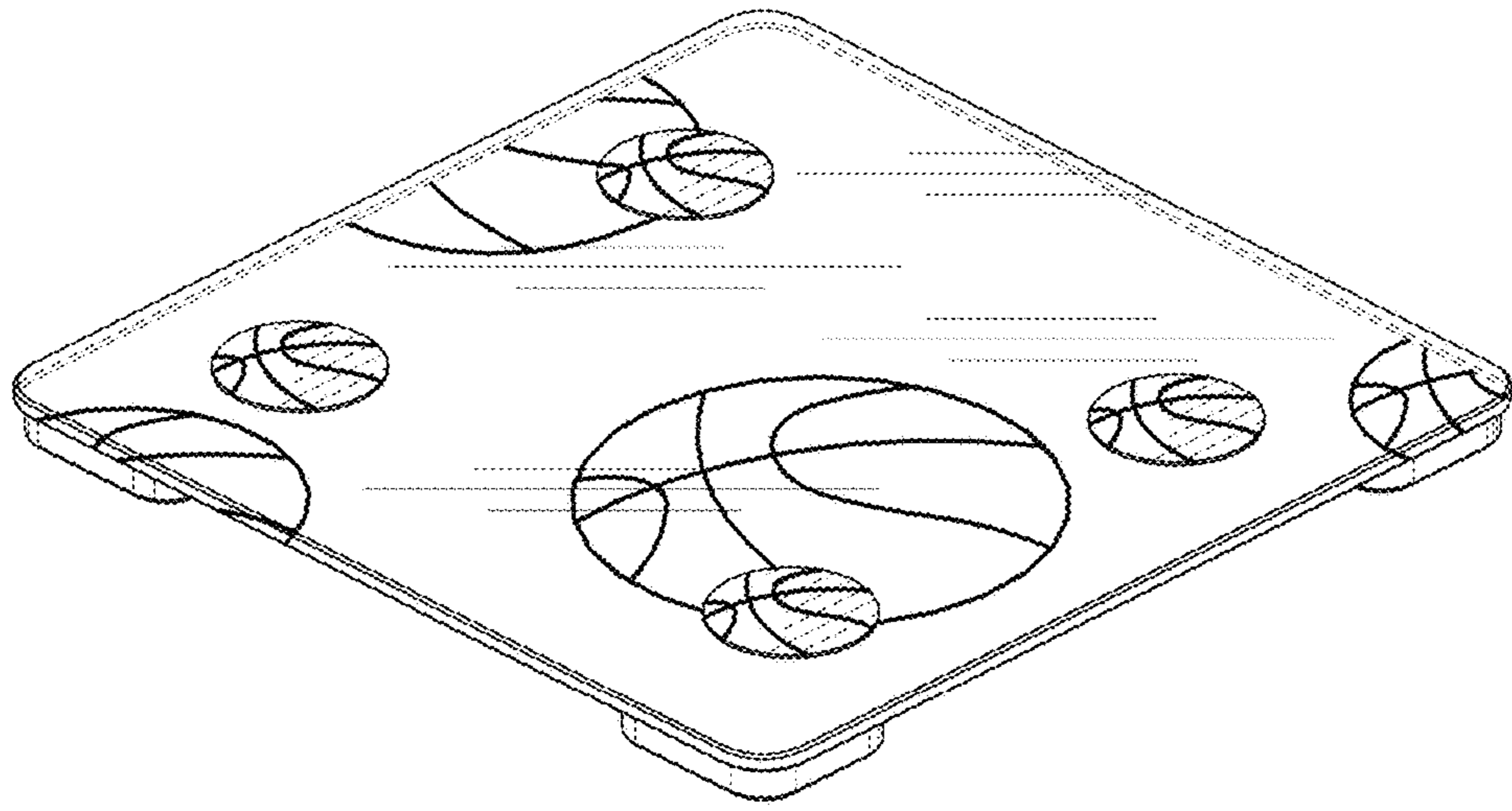


FIG. 1

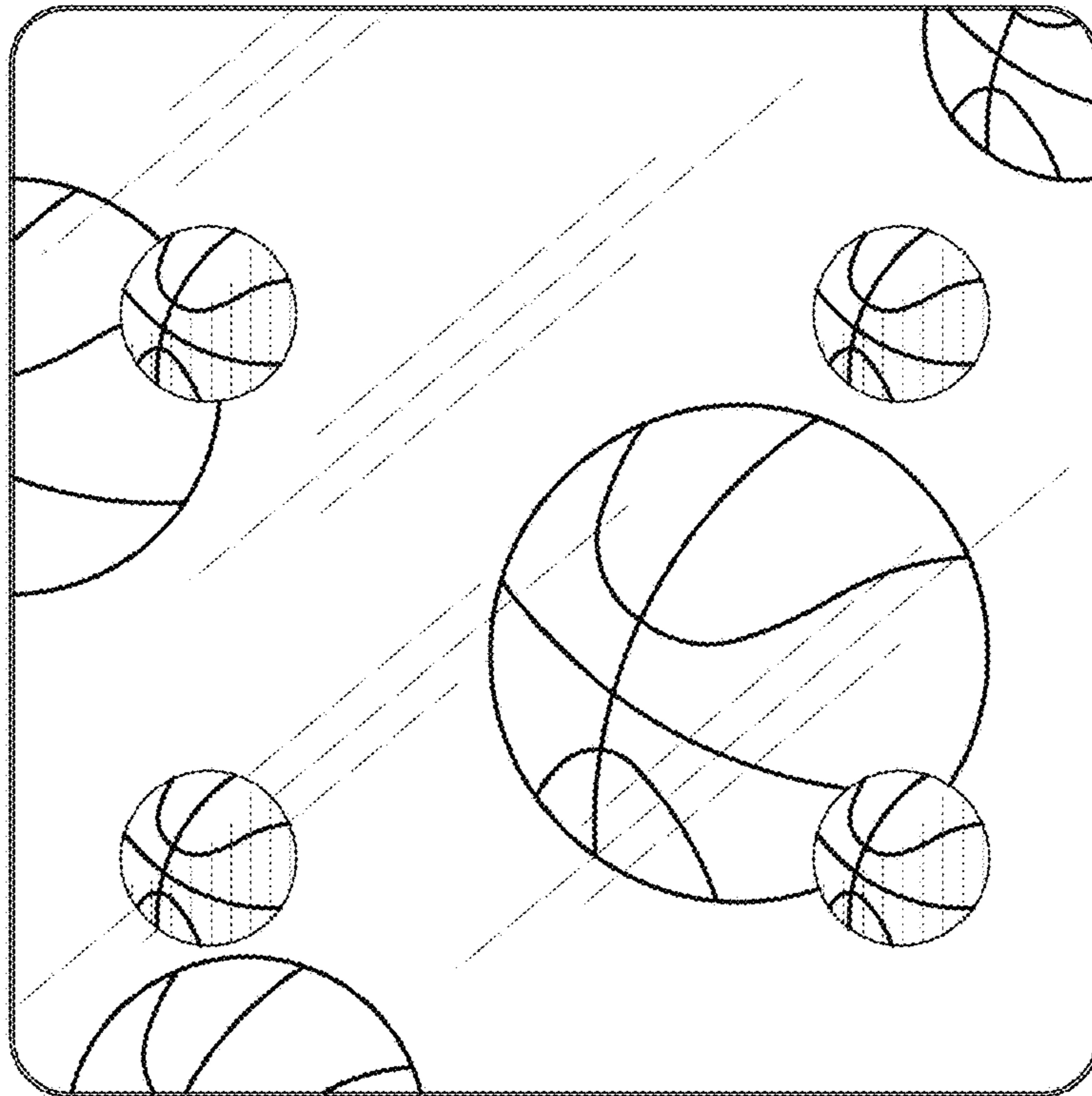


FIG. 2

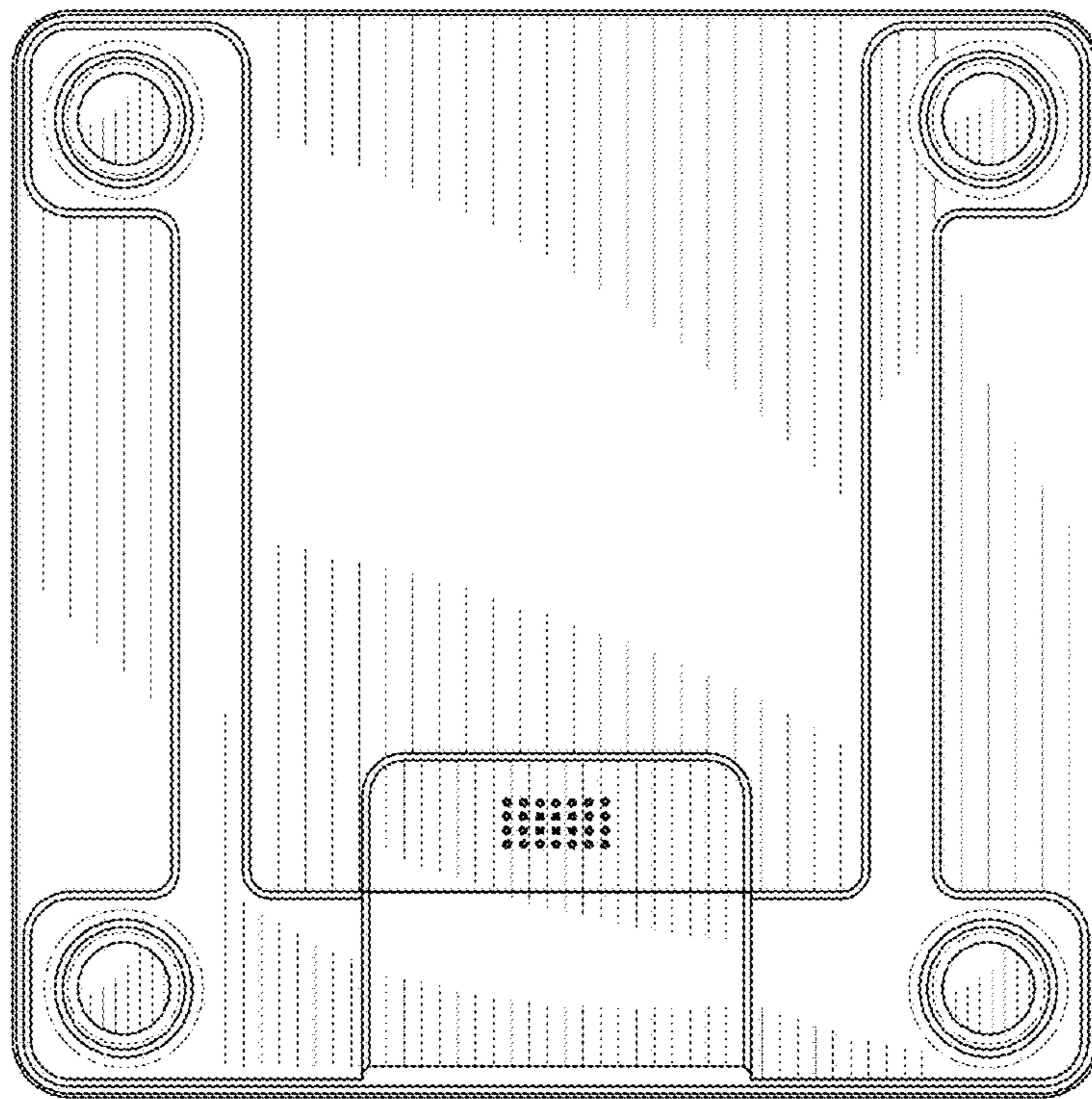


FIG. 3

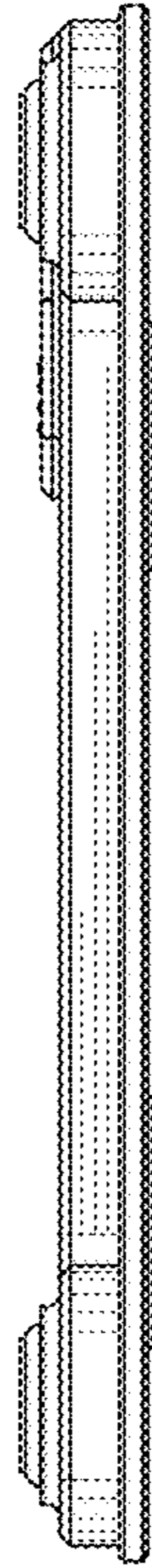


FIG. 4

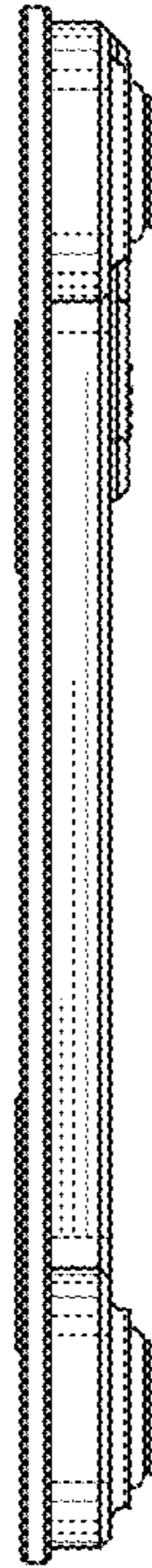


FIG. 5

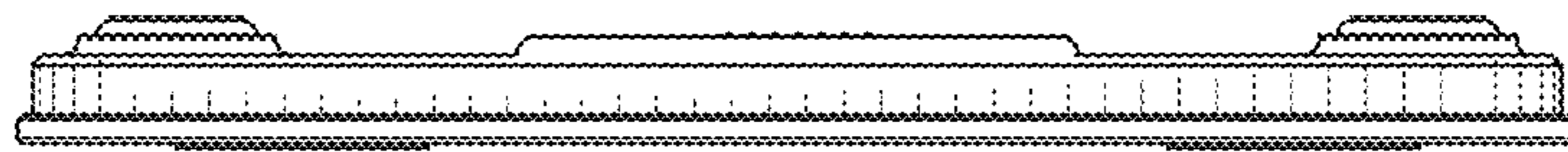


FIG. 6

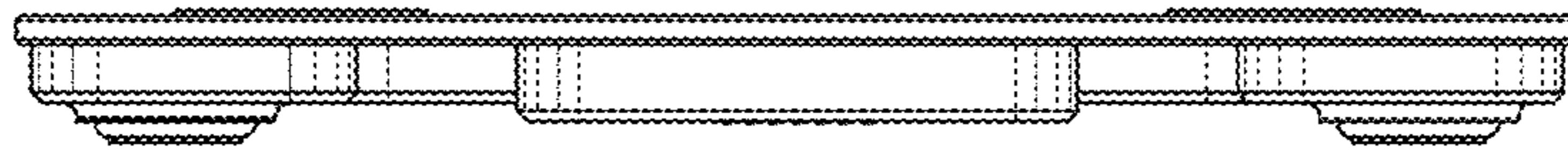


FIG. 7

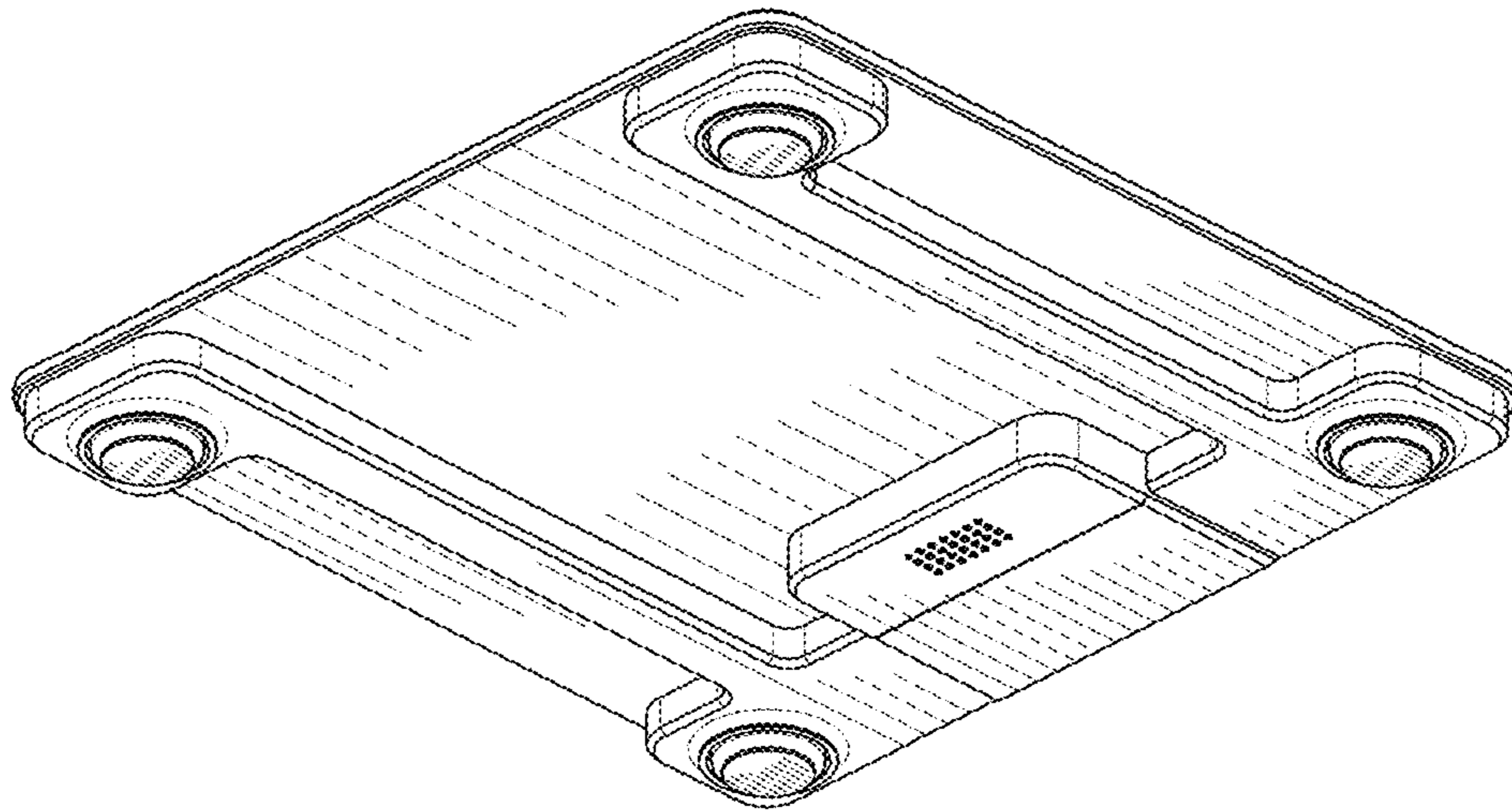


FIG. 8