



US00D865550S

(12) **United States Design Patent** (10) **Patent No.:** **US D865,550 S**
Steiner-Jovic et al. (45) **Date of Patent:** **** Nov. 5, 2019**

(54) **IN-GRID POWER DISTRIBUTION SENSOR**

OTHER PUBLICATIONS

- (71) Applicant: **Awesense Wireless, Inc.**, Vancouver (CA)
- (72) Inventors: **Mischa Steiner-Jovic**, Vancouver (CA); **Bernard Coquinco**, Richmond (CA)
- (73) Assignee: **AWESENSE WIRELESS, INC.** (CA)
- (**) Term: **15 Years**
- (21) Appl. No.: **29/595,892**
- (22) Filed: **Mar. 2, 2017**
- (51) **LOC (12) Cl.** **10-04**
- (52) **U.S. Cl.**
USPC **D10/79**
- (58) **Field of Classification Search**
USPC D10/46, 47, 50–56, 60, 61, 65, 66, 70, D10/75, 78, 79, 92, 98, 99, 100, 104.1, D10/106.1, 106.2, 106.5, 106.6, 106.9, D10/106.92, 107, 113.1–113.4, 116.1, D10/118.2, 121, 158; D13/125, 133, 134, D13/158; D14/159; D16/203; D24/158, D24/159, 187; D26/72
CPC G01V 1/16; G01V 8/14; G01C 22/006; A61F 9/023; H04Q 9/00; G05B 15/02; G05B 2219/2642
See application file for complete search history.

TGI Raptor, posted on awesense.com, no posted date given, no production date given, [online], [site visited Mar. 31, 2018], Available from Internet, URL: <https://www.awesense.com/hardware/> (Year: 2018).*

Primary Examiner — Garth Rademaker
Assistant Examiner — Fritzgerald L Butac
(74) *Attorney, Agent, or Firm* — Aeon Law, PLLC; Adam L. K. Philipp; David V. H. Cohen

(57) **CLAIM**

An ornamental design for an in-grid power distribution sensor, as shown and described.

DESCRIPTION

FIG. 1 is a perspective view from above of an in-grid power distribution sensor in a closed position; FIG. 2 is a perspective view from below of the in-grid power distribution sensor in the closed position; FIG. 3 is a rear plan view thereof; FIG. 4 is a front plan view thereof; FIG. 5 is a left side plan view thereof; FIG. 6 is a right side plan view thereof; FIG. 7 is a top plan view thereof; and FIG. 8 is a bottom plan view thereof. FIG. 9 is another perspective view from above of an in-grid power distribution sensor in an open position; and, FIG. 10 is another perspective view from below of the in-grid power distribution sensor in the open position. The broken lines showing an overhead powerline in FIGS. 1, 2, 9, and 10 illustrate environmental subject matter. The broken lines showing a corporate logo in FIGS. 2, 6, and 10, a label in FIGS. 2, 3, 4, 6, 8, and 10, a charge port in FIGS. 2, 3, 6, 8, and 10, a power indicator button in FIG. 6, a wired connector in FIG. 4, zig-zag teeth in FIGS. 5 and 6, edges of retracted elements in FIG. 10, and a deployment tool in FIGS. 9 and 10 illustrate portions of the in-grid power distribution sensor. None of the broken lines shown in the drawings form any part of the claimed design.

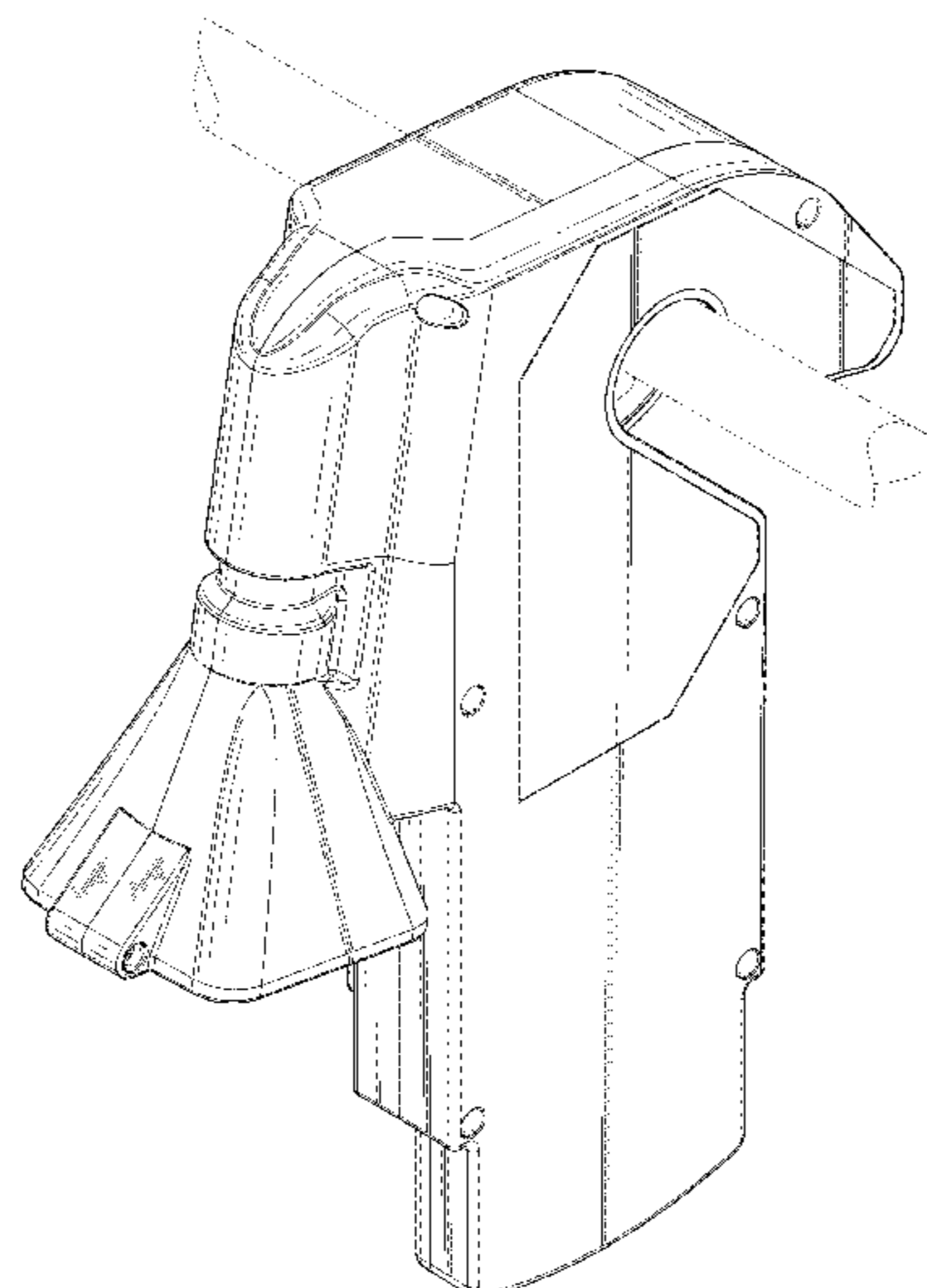
(56) **References Cited**

U.S. PATENT DOCUMENTS

D328,622 S *	8/1992	Taylor	D21/532
D367,921 S *	3/1996	Lewellen	D23/260
D653,136 S *	1/2012	Rainer	D10/96
D666,515 S *	9/2012	Kane	D10/80
D688,145 S *	8/2013	Tierney	D10/79

(Continued)

1 Claim, 10 Drawing Sheets



(56)

References Cited

U.S. PATENT DOCUMENTS

D697,443	S	*	1/2014	Wheaton	D10/79
D715,169	S	*	10/2014	Chen	D10/79
D762,502	S	*	8/2016	Shen	D10/79
D765,905	S	*	9/2016	Oldani	D26/113
D766,118	S	*	9/2016	Wong	D10/79
D768,233	S	*	10/2016	Campling	D17/20
D787,959	S	*	5/2017	Derr	D10/52
D789,814	S	*	6/2017	Kodama	D10/79
D793,887	S	*	8/2017	Shen	D10/80
D802,456	S	*	11/2017	Huang	D10/79
D802,704	S	*	11/2017	Planck	D22/109
D812,179	S	*	3/2018	Anderson	D22/109
D812,180	S	*	3/2018	Anderson	D22/109
D812,182	S	*	3/2018	Ramasubramanian	D22/109
D812,707	S	*	3/2018	Planck	D22/109
D813,697	S	*	3/2018	Chang	D10/79

* cited by examiner

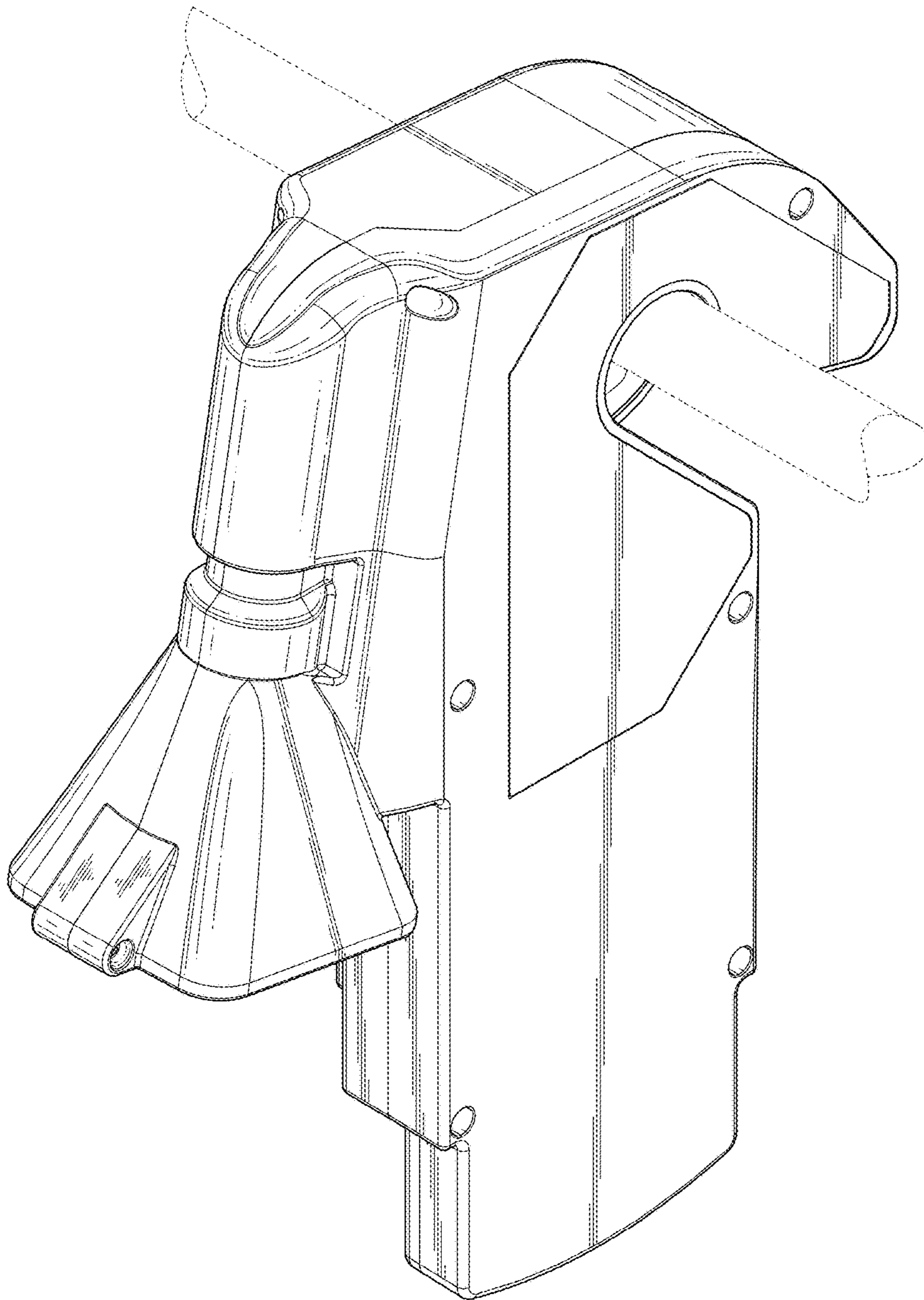


Fig. 1

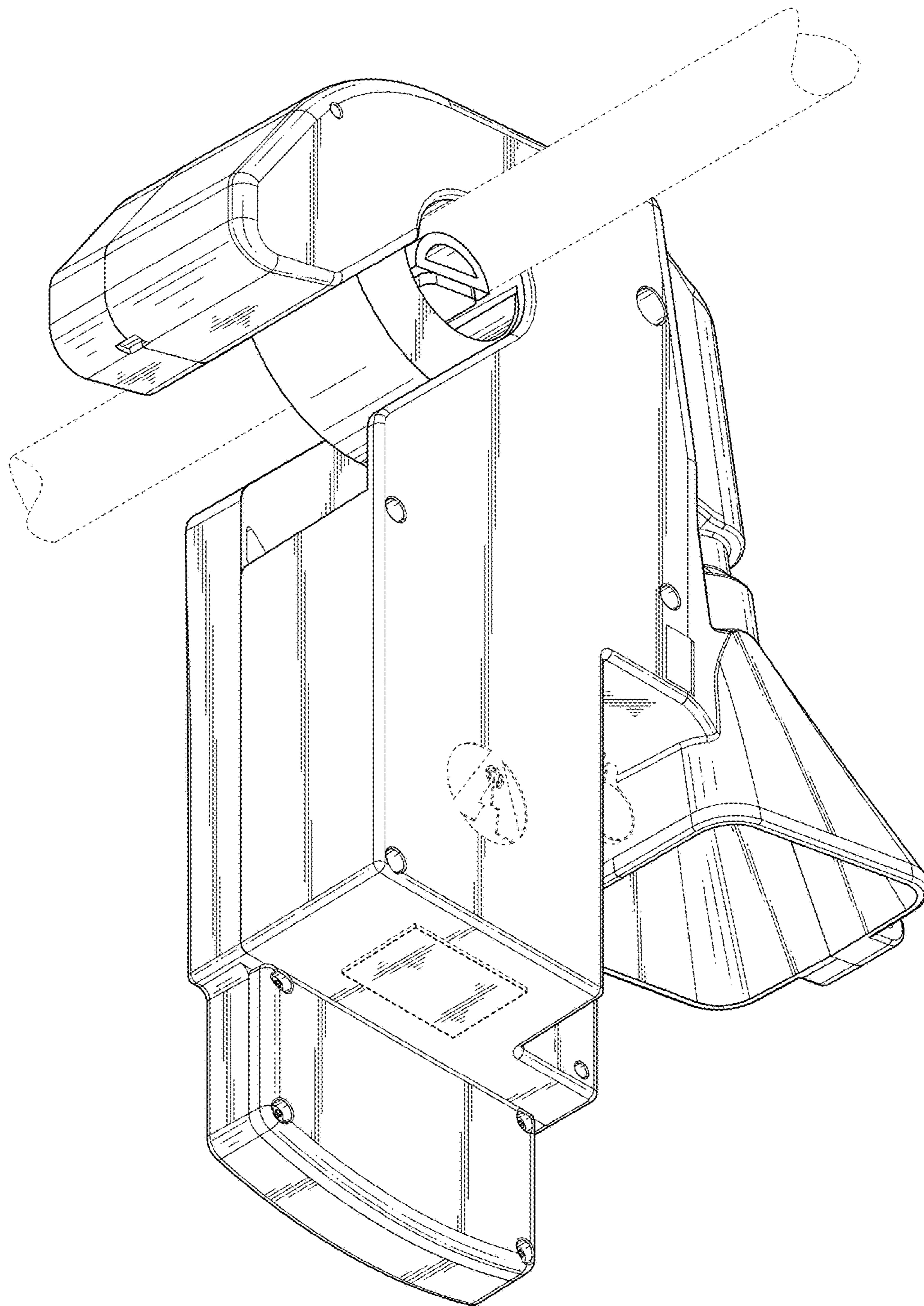


Fig. 2

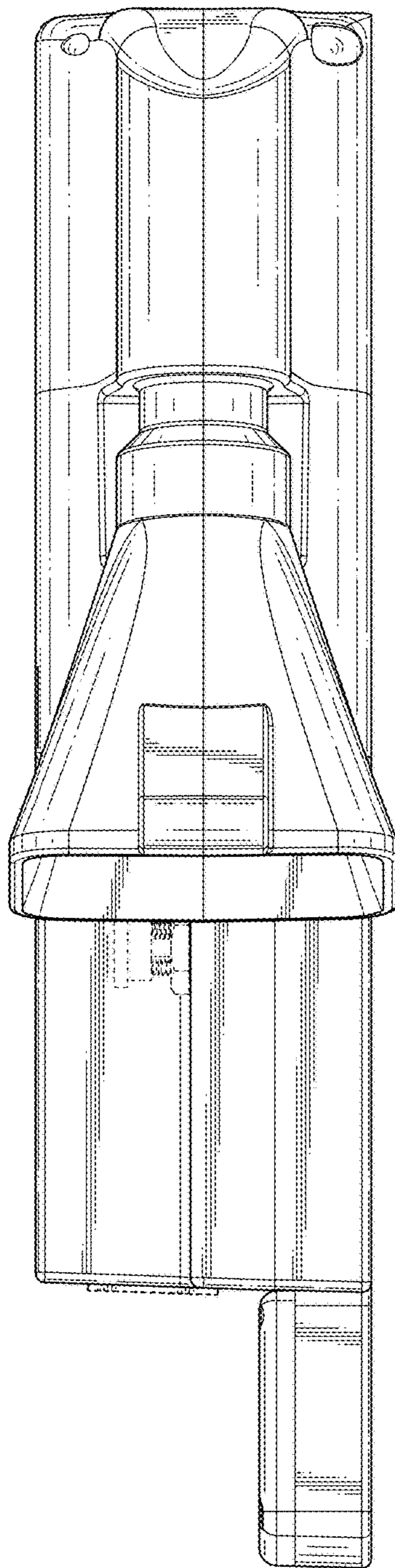


Fig. 3

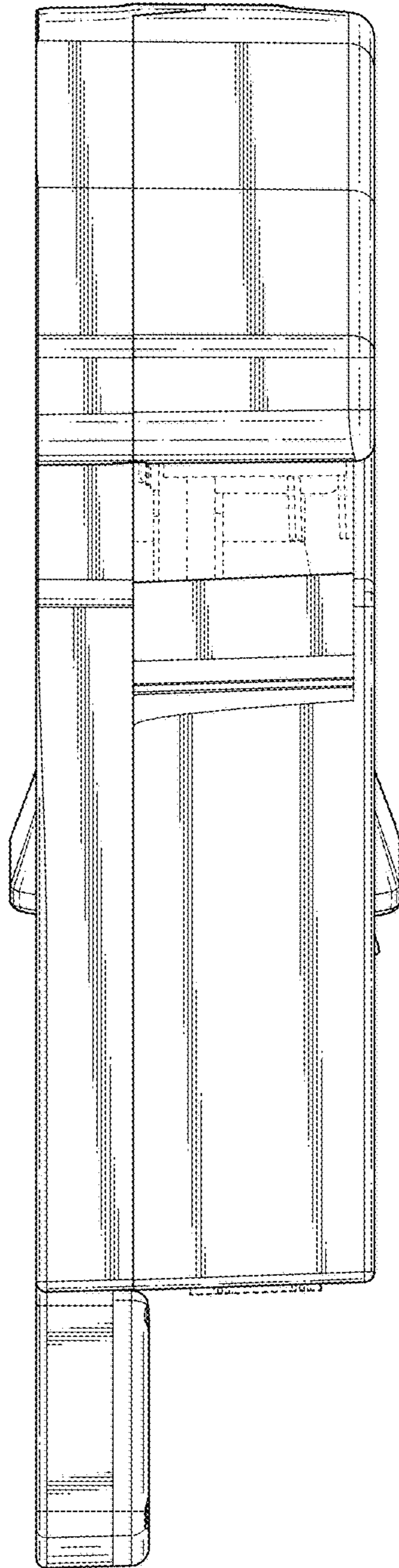


Fig. 4

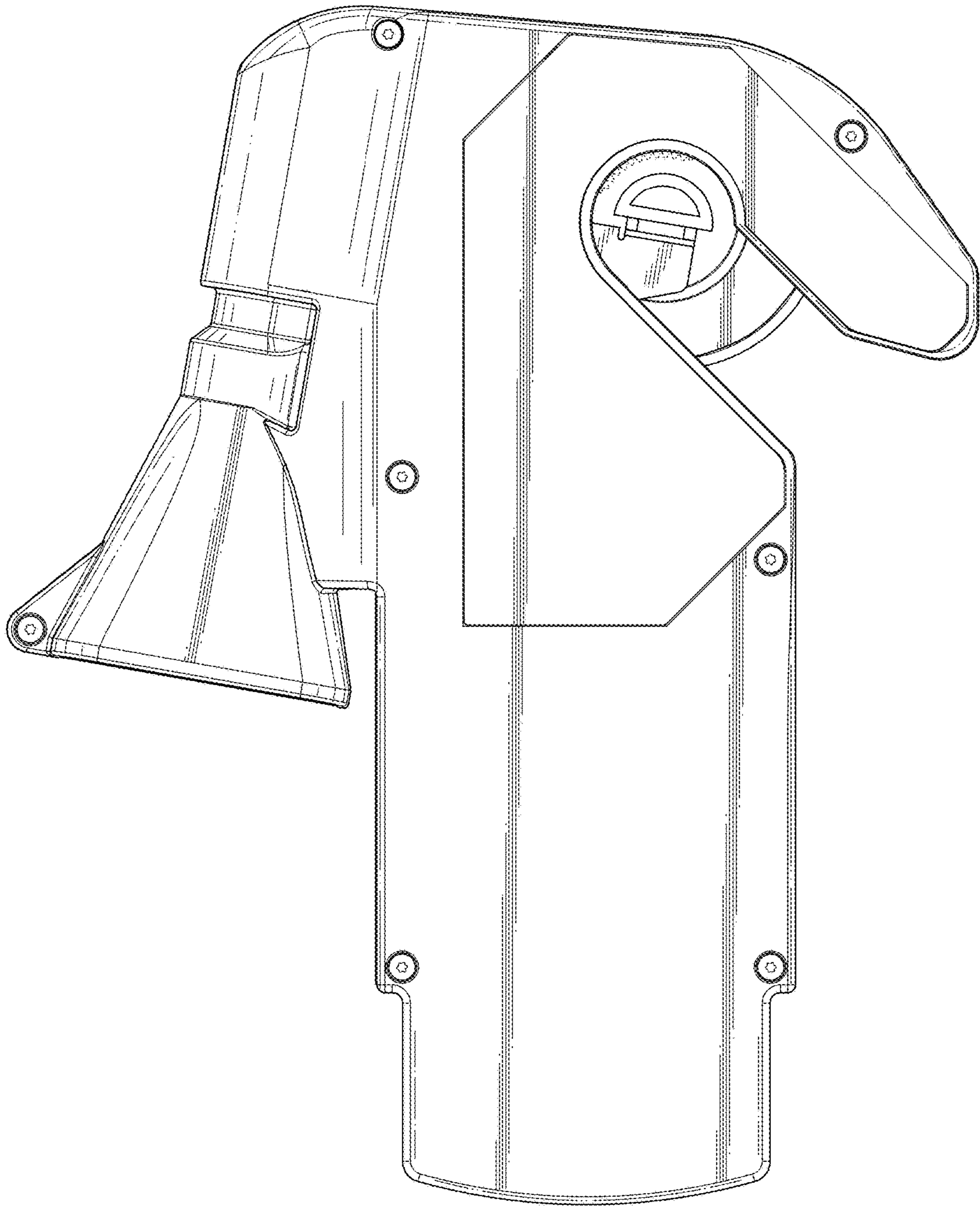


Fig. 5

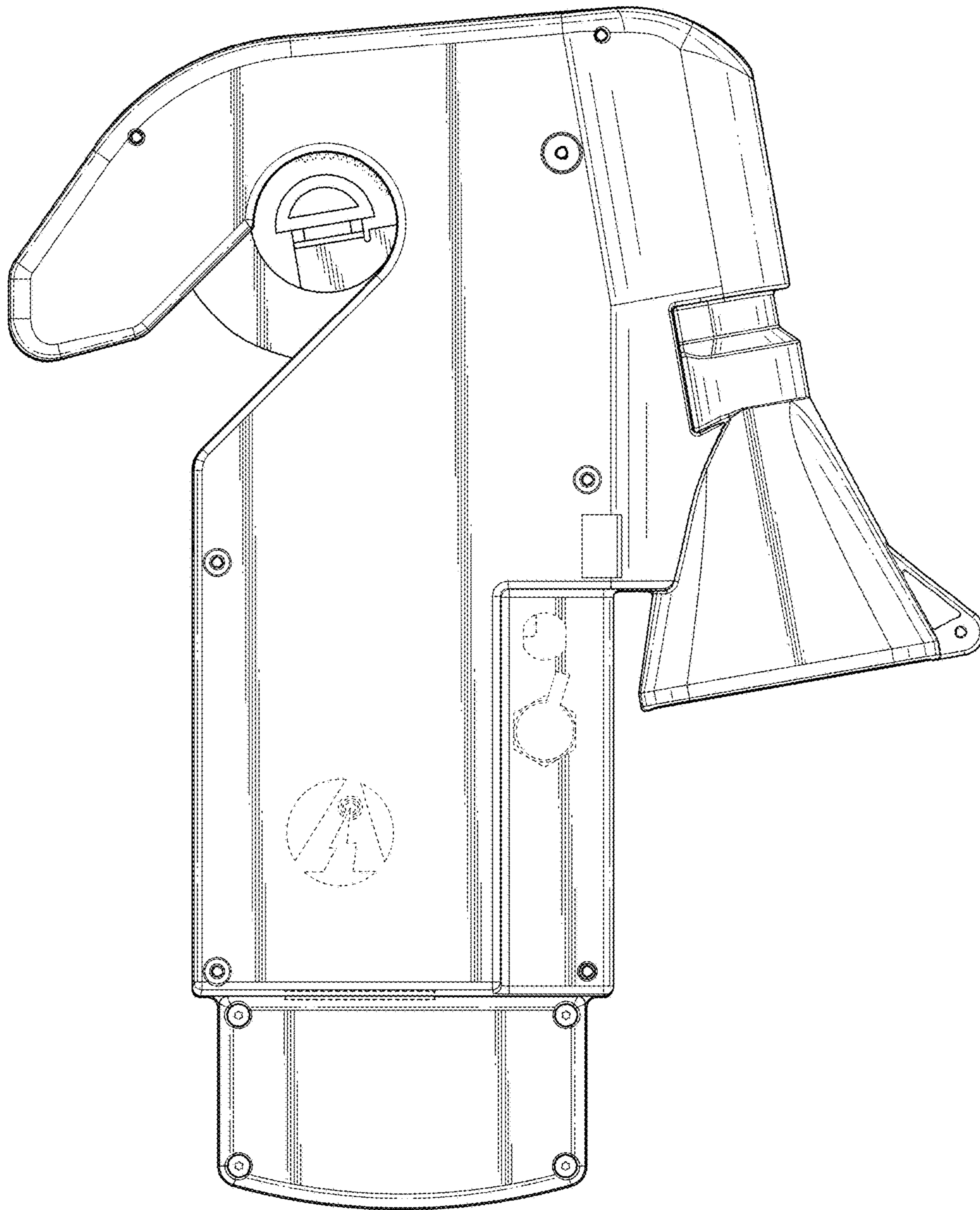


Fig. 6

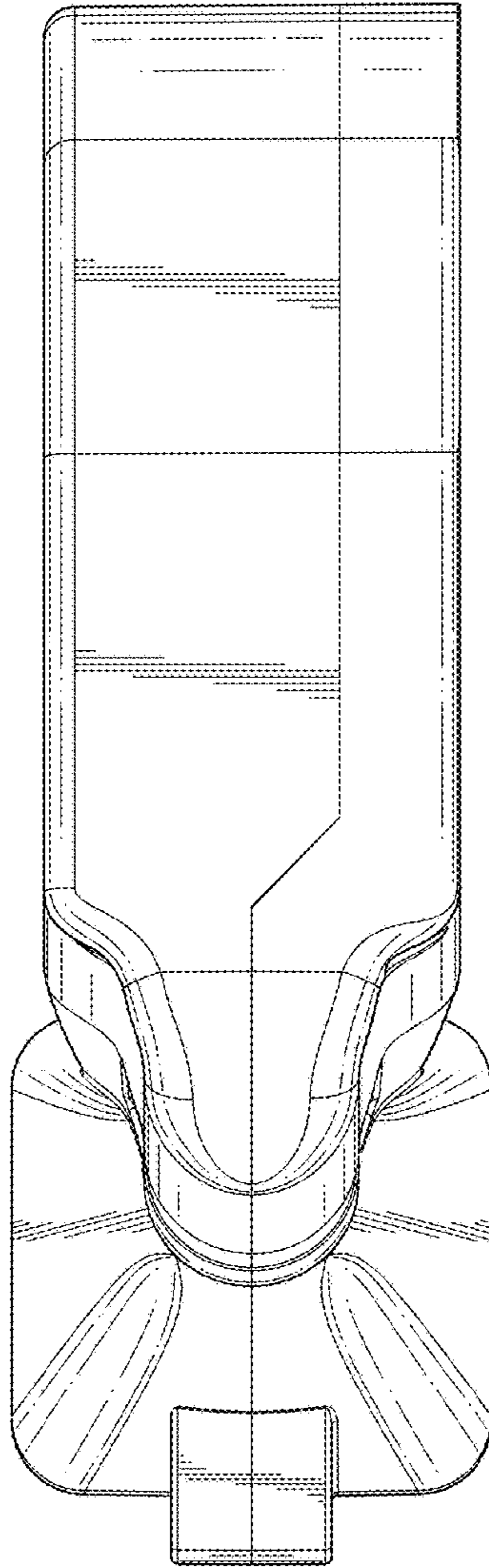


Fig. 7

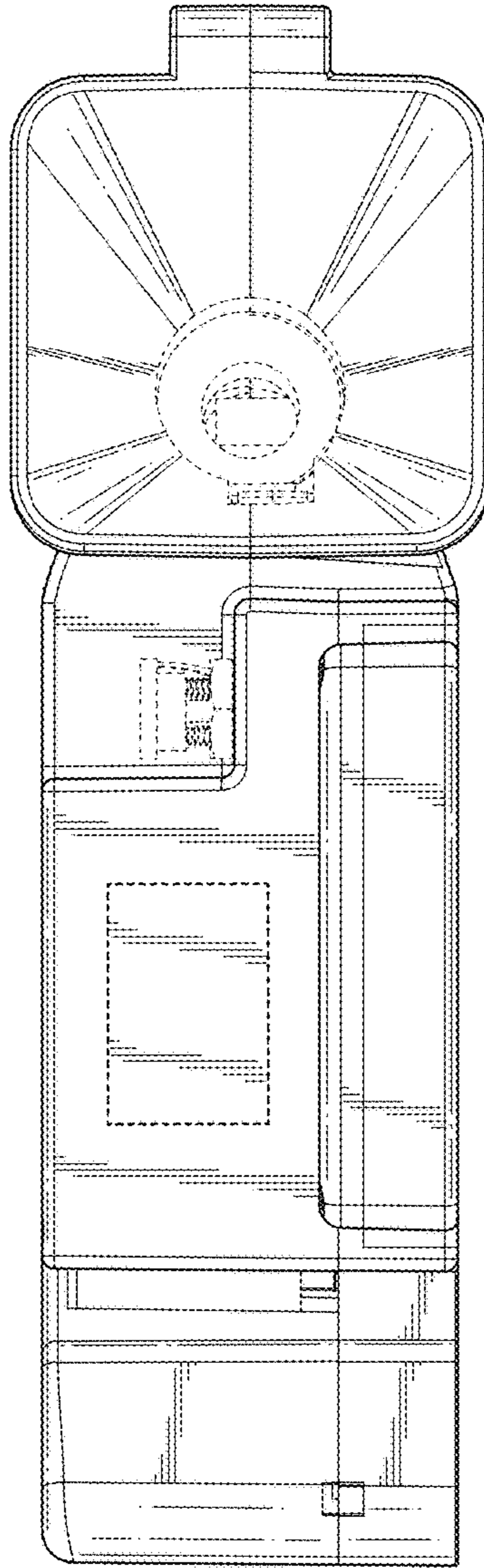


Fig. 8

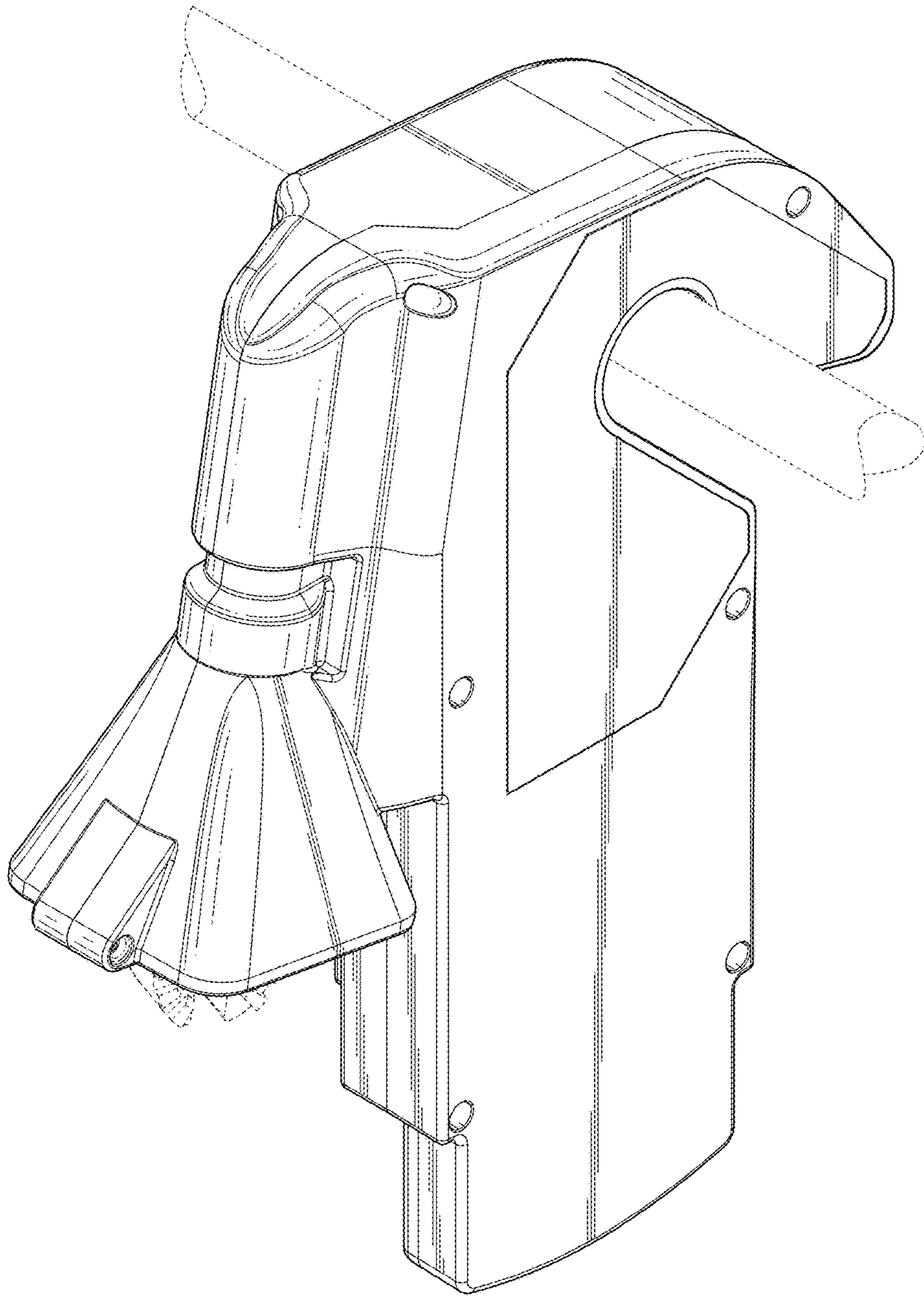


Fig. 9

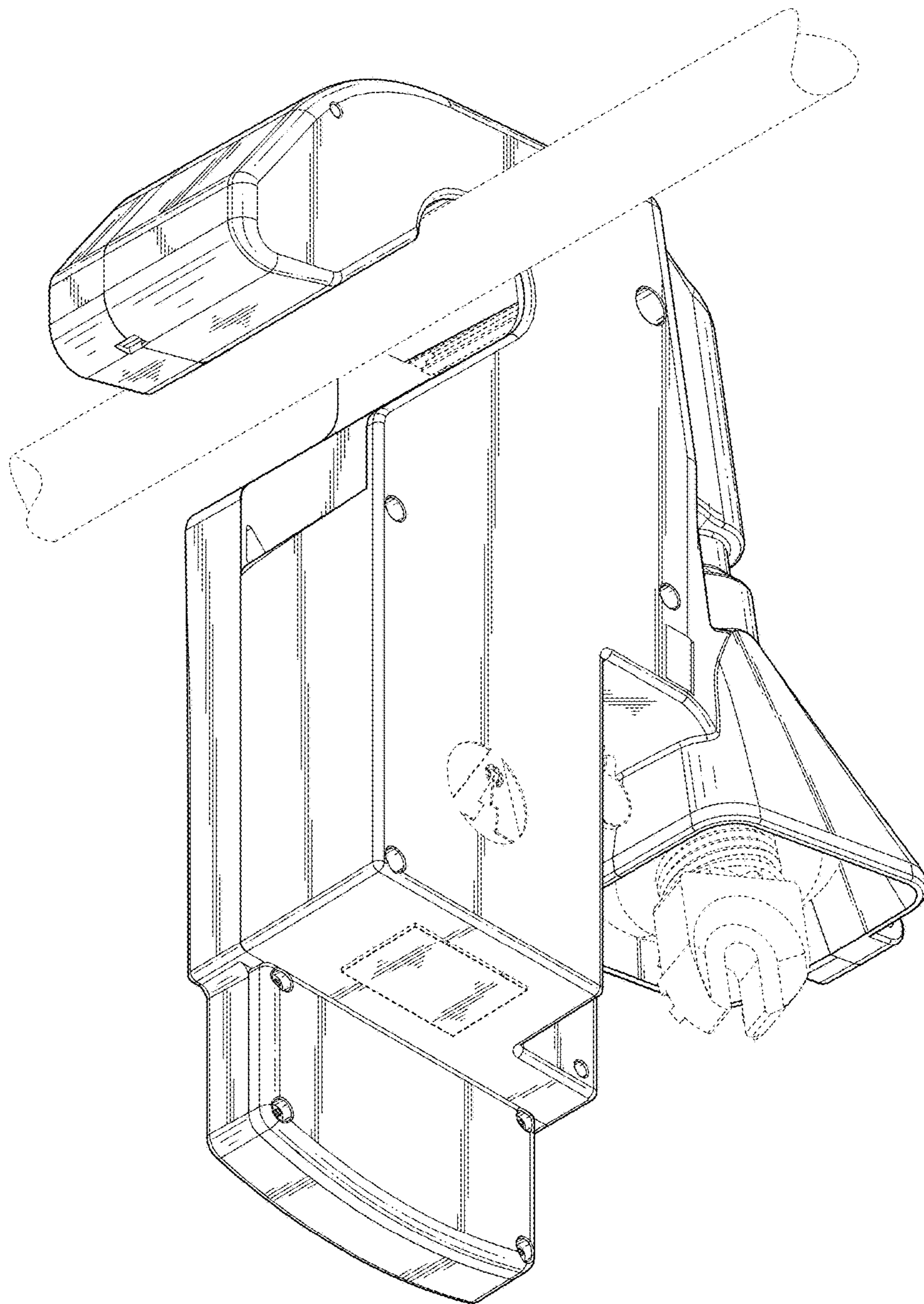


Fig. 10