



US00D865549S

(12) **United States Design Patent** (10) **Patent No.:** **US D865,549 S**  
**Gaucher et al.** (45) **Date of Patent:** **\*\* Nov. 5, 2019**

(54) **PORTABLE TEST INSTRUMENT**

(71) Applicant: **EXFO INC.**, Quebec (CA)

(72) Inventors: **Francois Gaucher**, Beloeil (CA); **Olivier Patry**, Montreal (CA); **Michael Simard**, Boischatel (CA)

(73) Assignee: **EXFO INC.**, Quebec (CA)

(\*\*) Term: **15 Years**

(21) Appl. No.: **29/640,248**

(22) Filed: **Mar. 13, 2018**

(51) **LOC (12) Cl.** ..... **10-04**

(52) **U.S. Cl.**  
USPC ..... **D10/78**

(58) **Field of Classification Search**  
USPC ..... D10/78  
CPC ..... H04W 16/18; H04W 16/20; H04W 24/00;  
H04W 24/02; H04W 24/04; H04W 24/06;  
H04W 24/08; H04W 24/10; H04W 84/18;  
H04W 84/20; H04W 84/22; H04N  
7/17309; H04N 17/00; H04N 21/42676;  
H04N 21/44209; H04N 21/44245; H04N  
21/6118; H04N 21/6168; H04N 21/6543;  
H04L 12/2697; H04L 43/50; H04L  
29/12216; H04L 29/12273; H04L  
29/12283; H04L 29/12301; H04L  
61/2076; H04L 61/2015; H04L 61/2053;  
H04L 61/2061; H04Q 2213/1332; H04Q  
2213/1316; H04Q 2213/13166; H04Q  
2213/13003; H04M 3/308; H04M 3/244;  
H04M 1/24; H04M 3/306; H04M 3/32;  
H04M 3/46; H04M 3/26; H04M 3/2254;  
H04M 3/2263; H04M 1/72561; H04M  
1/2535

See application file for complete search history.

(56) **References Cited**

U.S. PATENT DOCUMENTS

D637,507 S \* 5/2011 Silverio ..... D10/78  
9,904,984 B1 \* 2/2018 Quinn ..... G06T 3/60

**OTHER PUBLICATIONS**

EXFO, FLS-600 Light Source, Spec Sheet, 2015, 3 pages.  
EXFO, F0T-600 Optical Loss Test Set, Spec Sheet, 2014, 4 pages.  
EXFO, FVA-600 Variable Attenuator, Spec Sheet, 2012, 2 pages.  
EXFO, MaxTester 605 Straight-to-the-Point Copper Testing, 2016, 6 pages.  
NetScout, Validate Network Connectivity in Less Than 10 Seconds, Datasheet, 2018, 6 pages.

\* cited by examiner

*Primary Examiner* — Antoine Duval Davis  
(74) *Attorney, Agent, or Firm* — Erise IP, P.A.

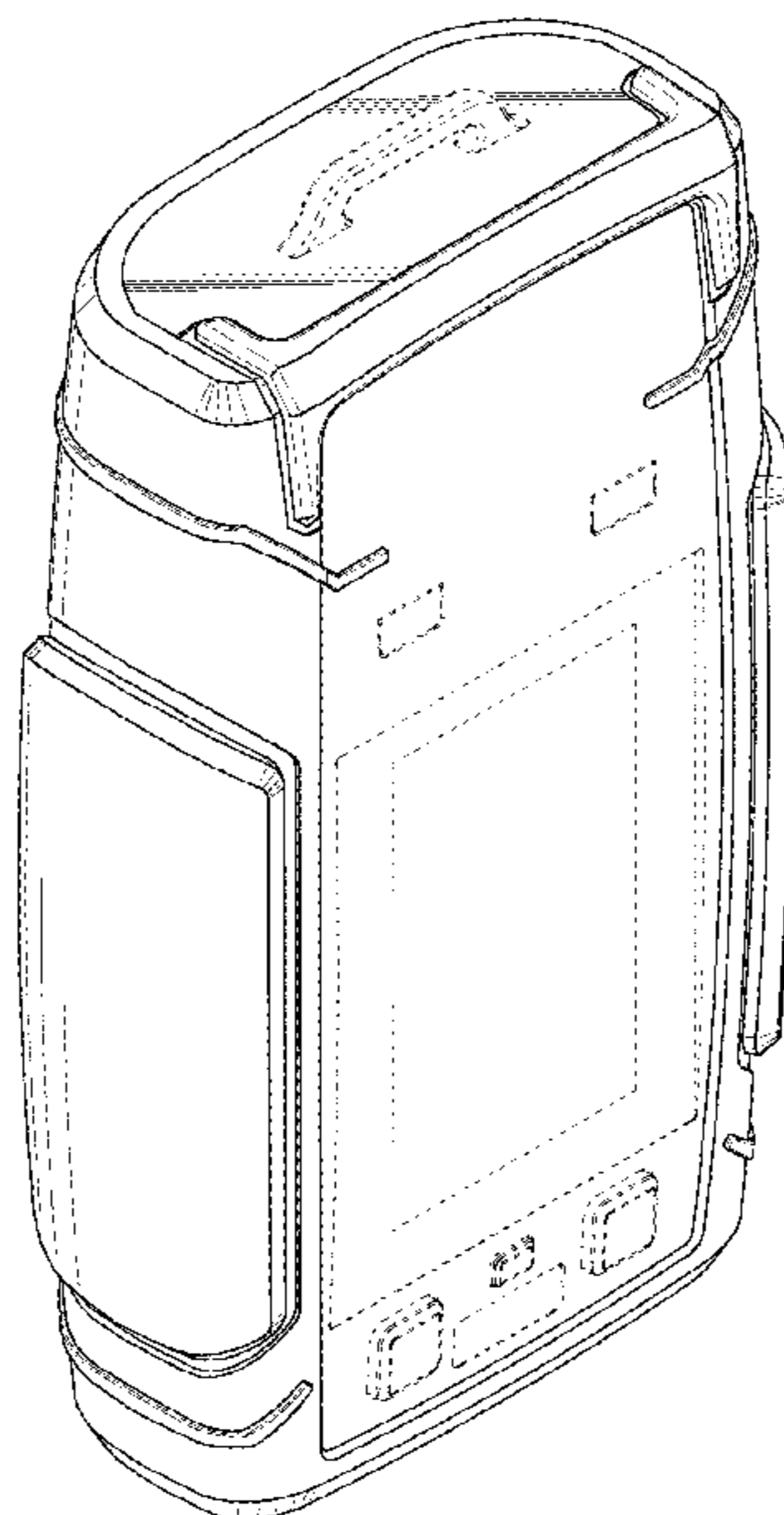
(57) **CLAIM**

The ornamental design for a portable test instrument, as shown and described.

**DESCRIPTION**

FIG. 1 is perspective view of a portable test instrument showing the new design;  
FIG. 2 is a front elevation view thereof;  
FIG. 3 is a rear elevation view thereof;  
FIG. 4 is a left-side elevation view thereof;  
FIG. 5 is a right-side elevation view thereof;  
FIG. 6 is top plan view thereof; and,  
FIG. 7 is a bottom plan view thereof.  
The portions shown in broken lines depict environmental structure only and do not form part of the claimed design.

**1 Claim, 6 Drawing Sheets**



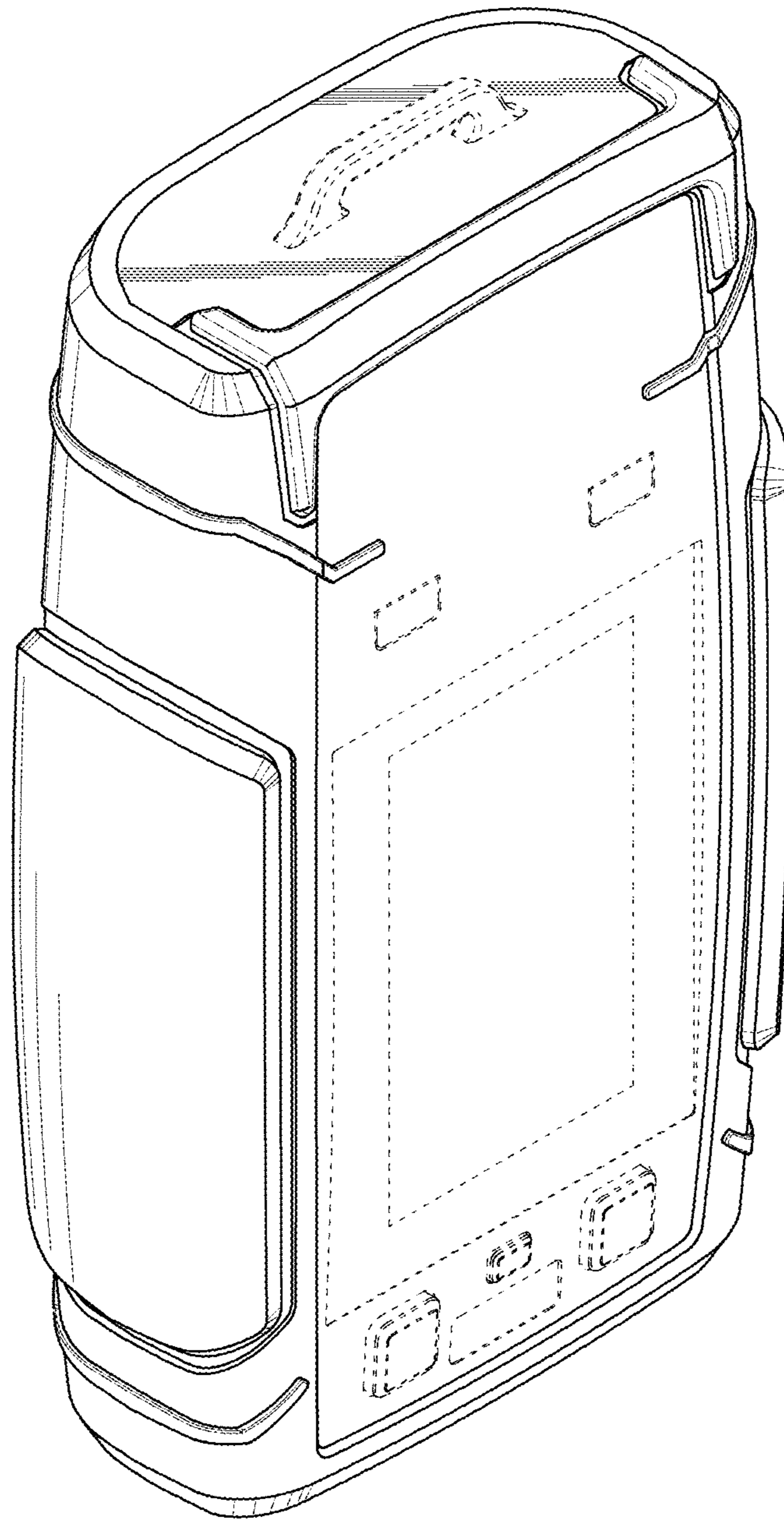


FIG. 1

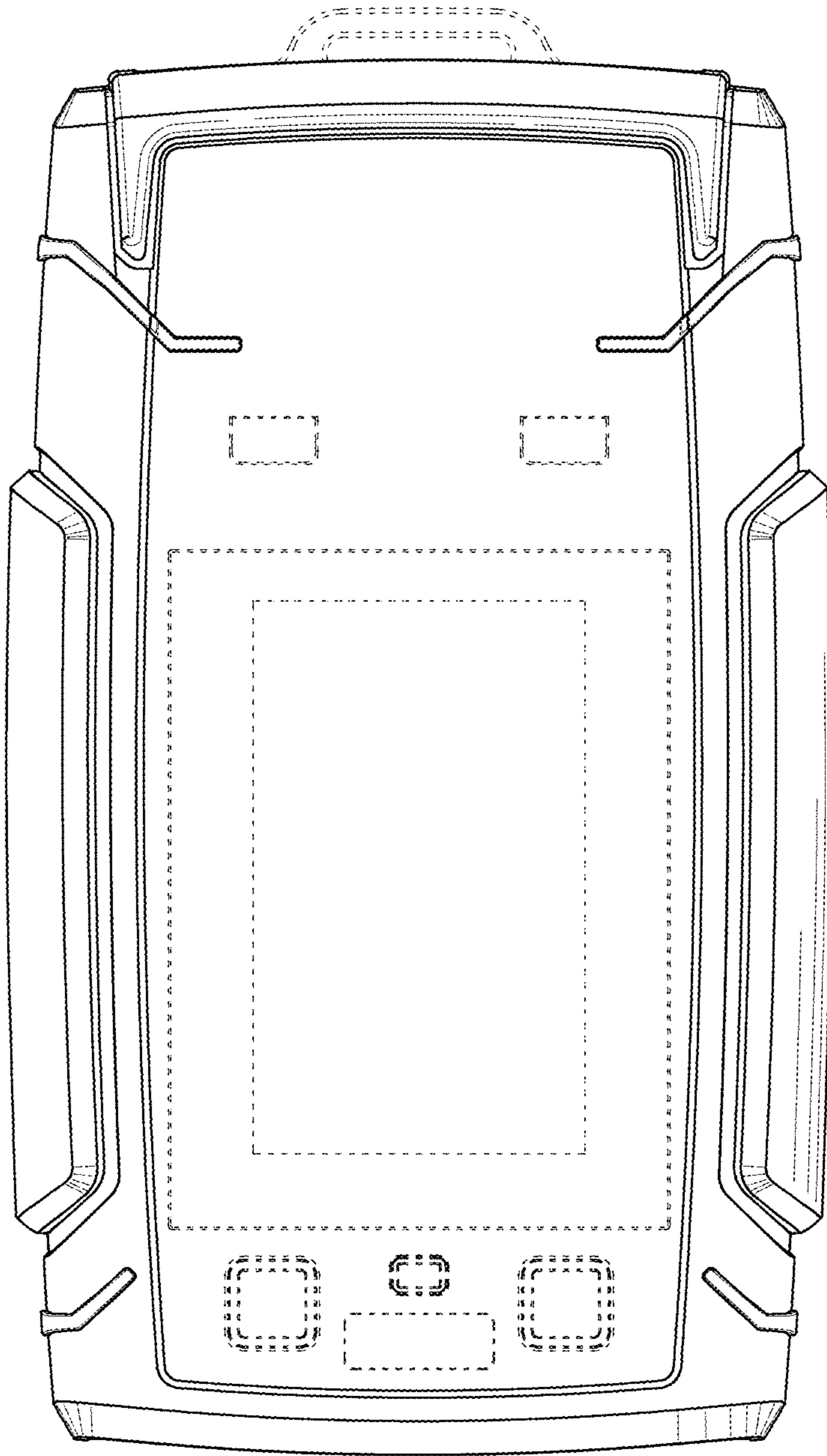


FIG. 2

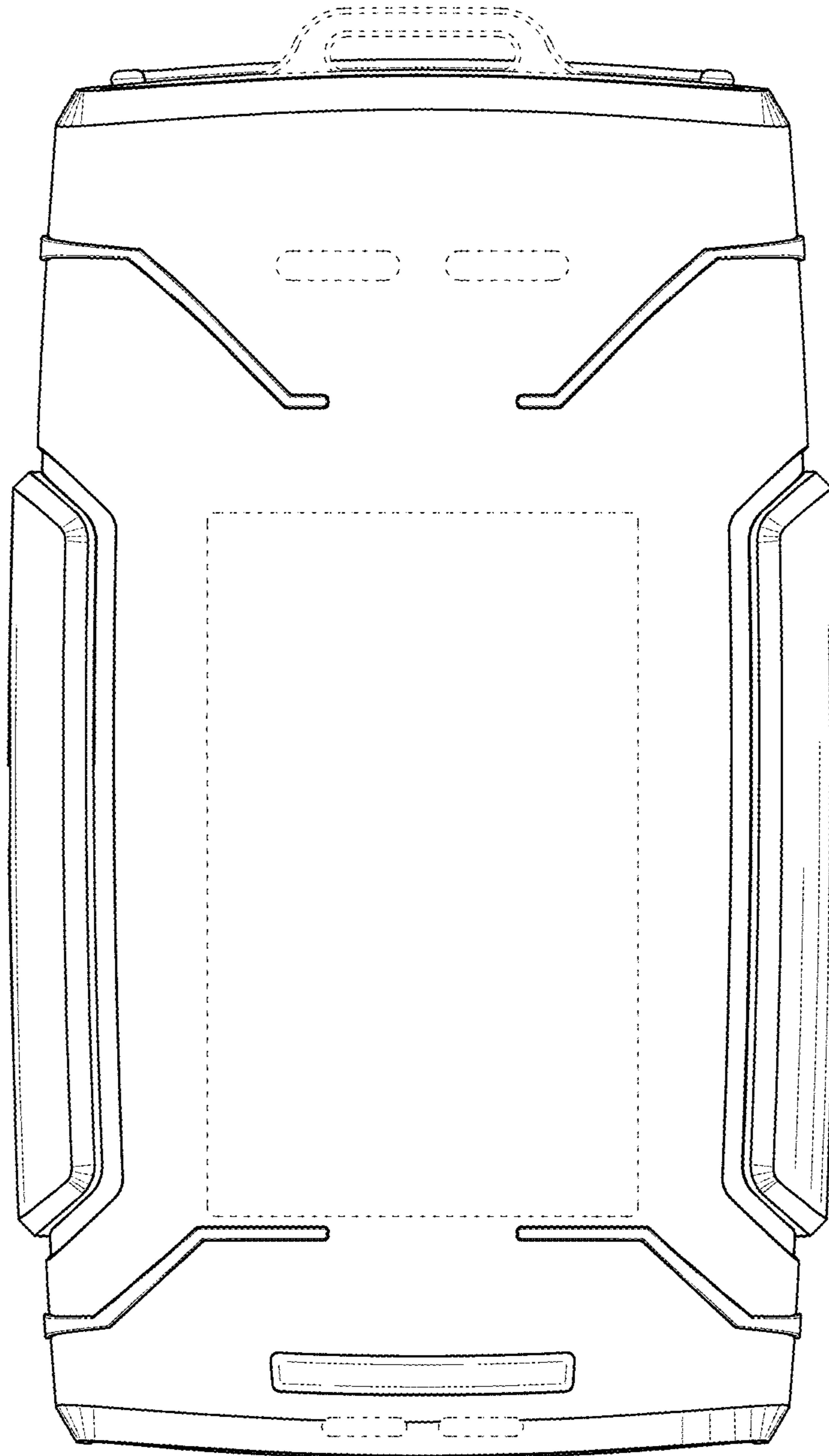


FIG. 3



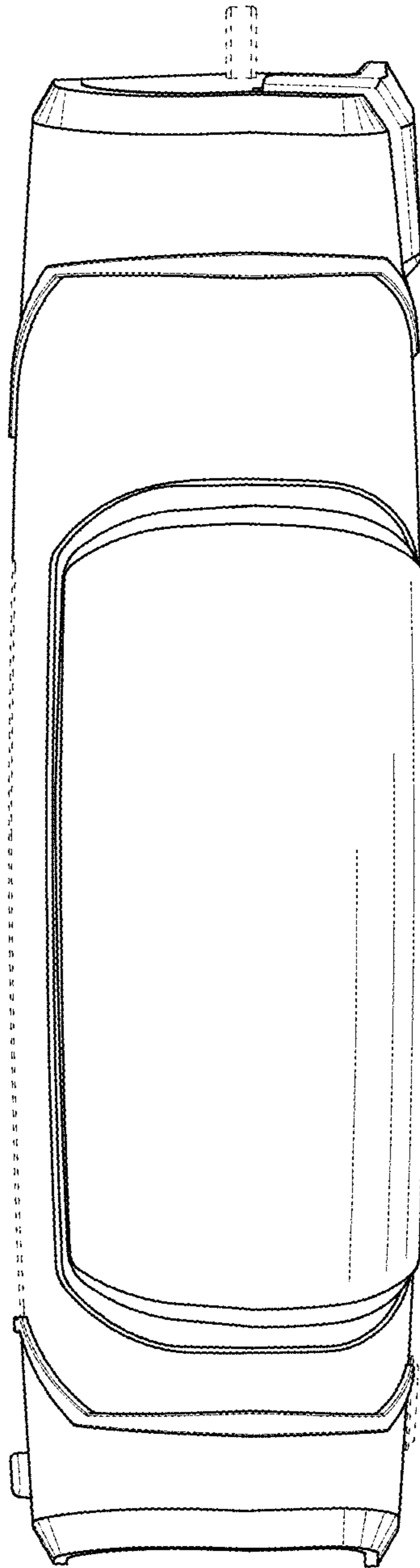


FIG. 4

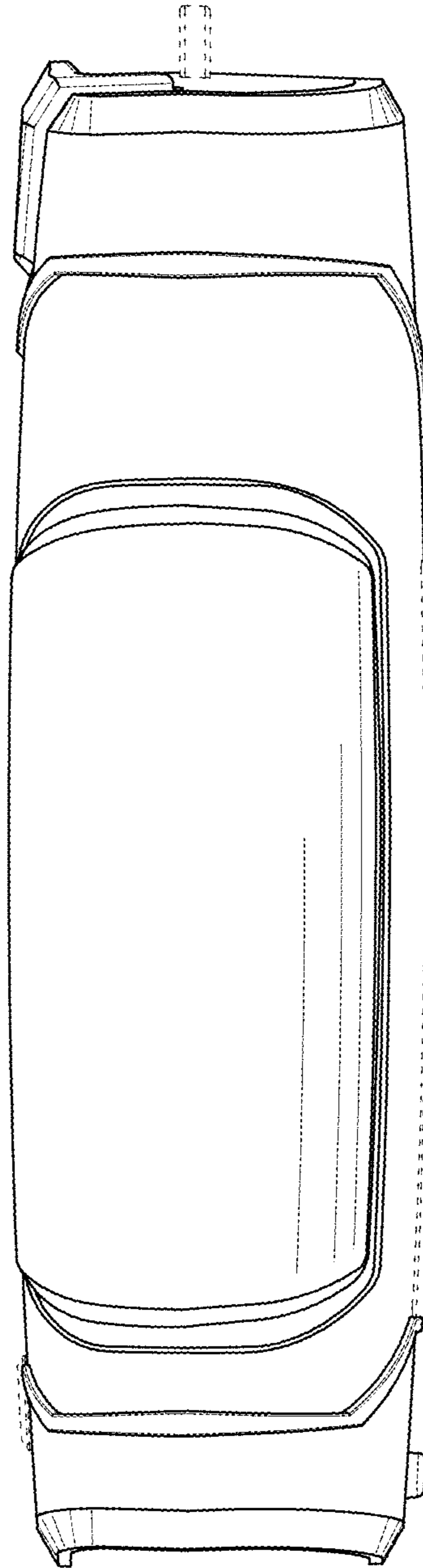


FIG. 5

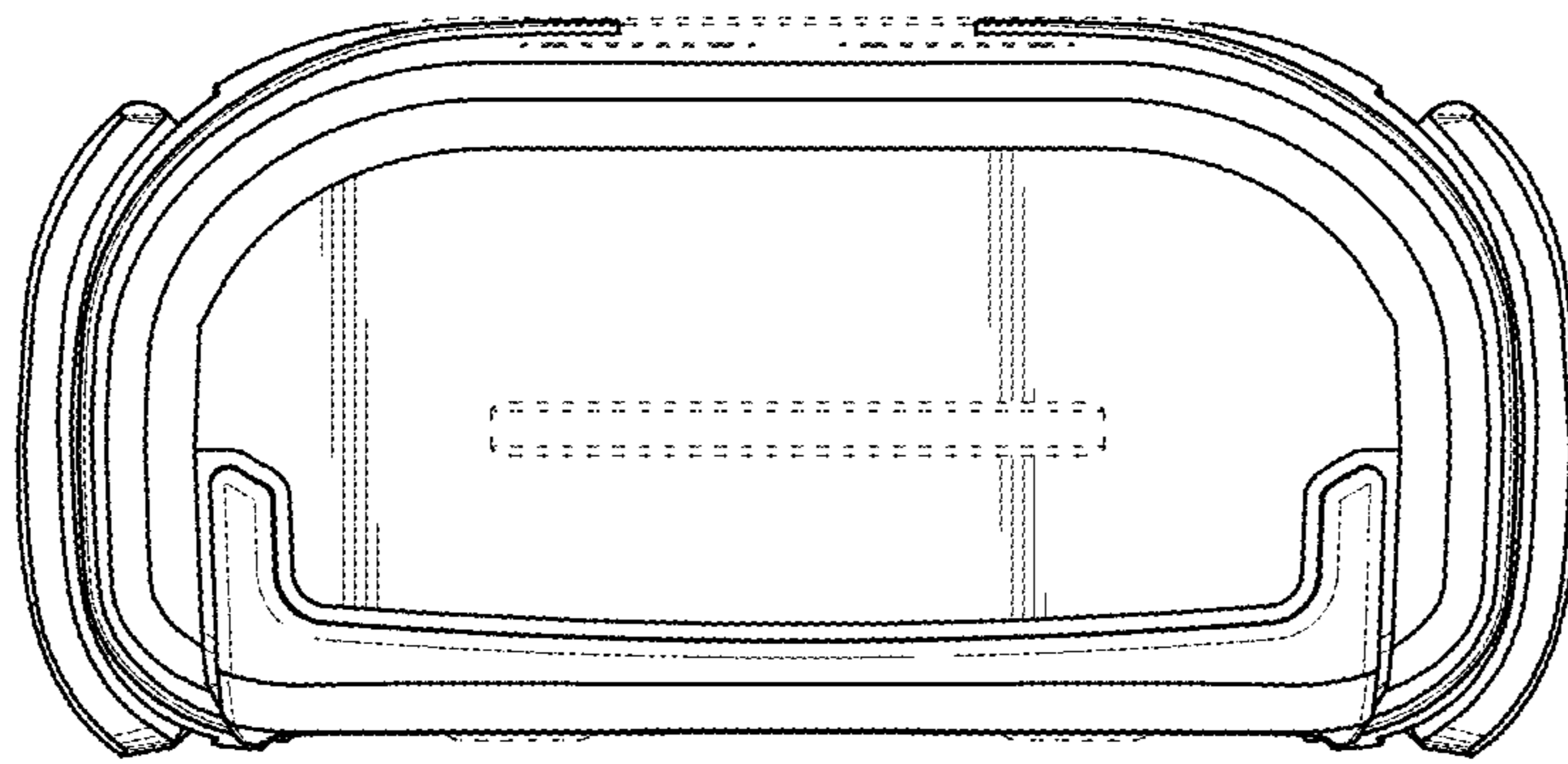


FIG. 6

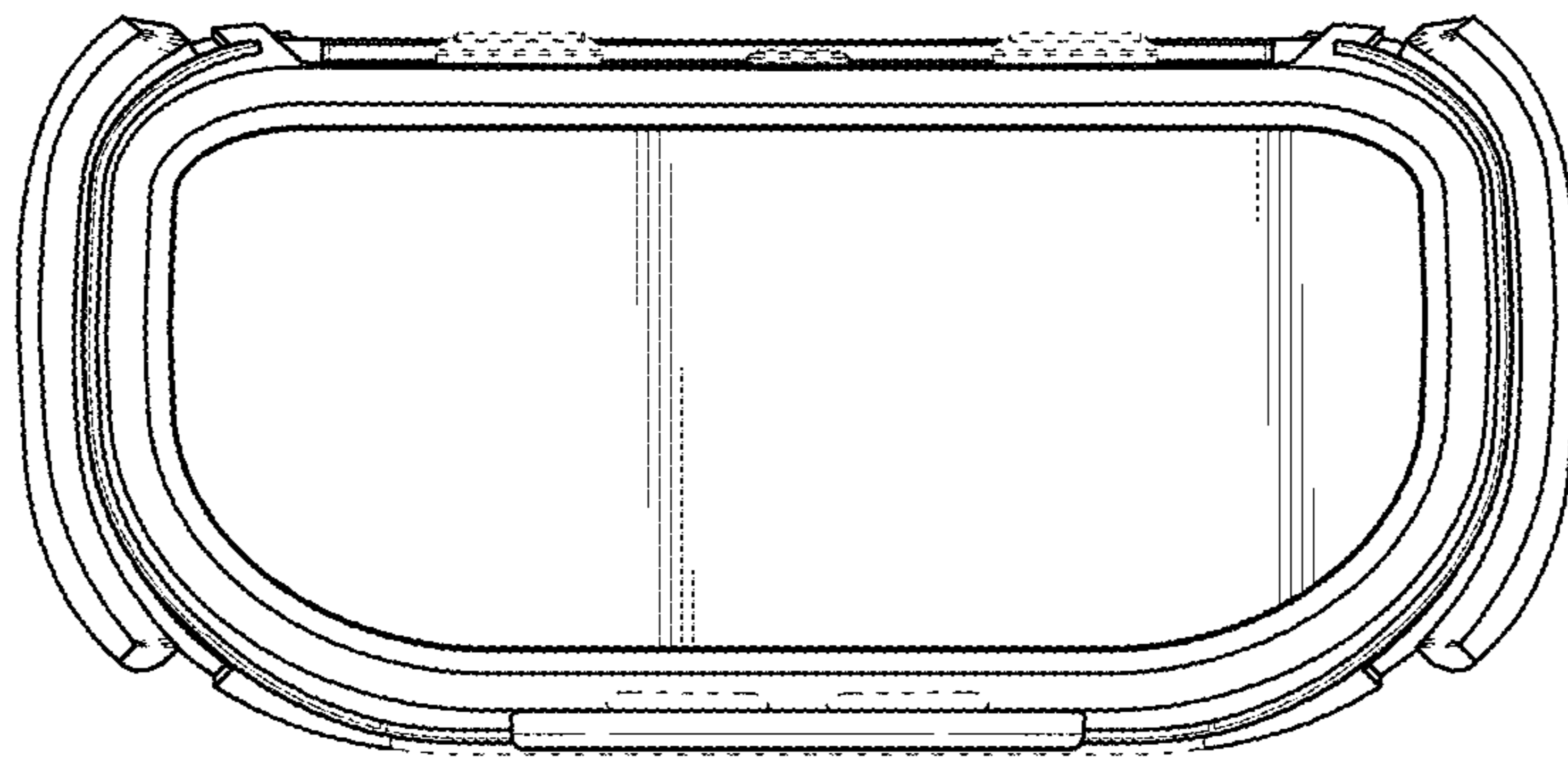


FIG. 7