



US00D865546S

(12) **United States Design Patent** (10) **Patent No.:** **US D865,546 S**
Kellock (45) **Date of Patent:** **** Nov. 5, 2019**

(54) **WEARABLE DEVICE**

21/12; G04B 23/12; G04B 47/00–47/068;
G01C 17/00; G01C 21/00–21/3697;
G01C 22/00–22/025; G01C
23/00–23/005; G01C 21/16; G01P
(Continued)

(71) Applicant: **Nitto Denko Corporation**, Osaka (JP)

(72) Inventor: **Andrew Kellock**, Box Hill Vic (AU)

(73) Assignee: **Nitto Denko Corporation** (JP)

(**) Term: **15 Years**

(21) Appl. No.: **29/661,470**

(22) Filed: **Aug. 28, 2018**

(30) **Foreign Application Priority Data**

Mar. 2, 2018 (SG) 30201805048S

(51) **LOC (12) Cl.** **10-04**

(52) **U.S. Cl.**
USPC **D10/70**; D10/30; D10/38; D10/97;
D10/98; D14/344; D24/186

(58) **Field of Classification Search**

USPC D10/30–39, 65, 70, 78, 97, 98; D11/3;
D14/138 R, 203.5, 203.6, 341, 344;
D24/167, 186

CPC A63B 24/0062; A63B 71/0686; A63B
33/002; A63B 71/0622; A63B 2207/02;
A63B 2244/20; A63B 2071/0625; A63B
2033/004; A63B 2208/03; A63B 2220/30;
A63B 2220/836; A63B 2225/50; A63B
2230/065; A63B 24/00–2024/0096; A63B
2213/00; A63B 69/0028; A63B
2071/0658–2071/0666; A63B
2220/00–2220/89; A63B 2225/02; A61B
5/0205; A61B 5/6803; A61B 5/0015;
A61B 5/02416; A61B 5/1118; A61B
5/02438; A61B 2560/0214; A61B
2503/10; A61B 5/0537; A61B 5/4872;
A61B 5/6831; A61B 5/4869; A61B
5/0858; A61B 5/1075; A61B 5/107; A61B
5/4875; A61B 5/4878; A61B 5/4881;
A61B 5/61–5/6898; A44C 5/00–5/16;
G04B 37/00–37/228; G04B 45/0069;
G04B 47/04; G04B 19/00–19/34; G04B

(56) **References Cited**

U.S. PATENT DOCUMENTS

D803,709 S * 11/2017 Le Bihan D10/70
D804,335 S * 12/2017 Bihan D10/70

(Continued)

Primary Examiner — Antoine Duval Davis

(74) *Attorney, Agent, or Firm* — Lerner, David,
Littenberg, Krumholz & Mentlik, LLP

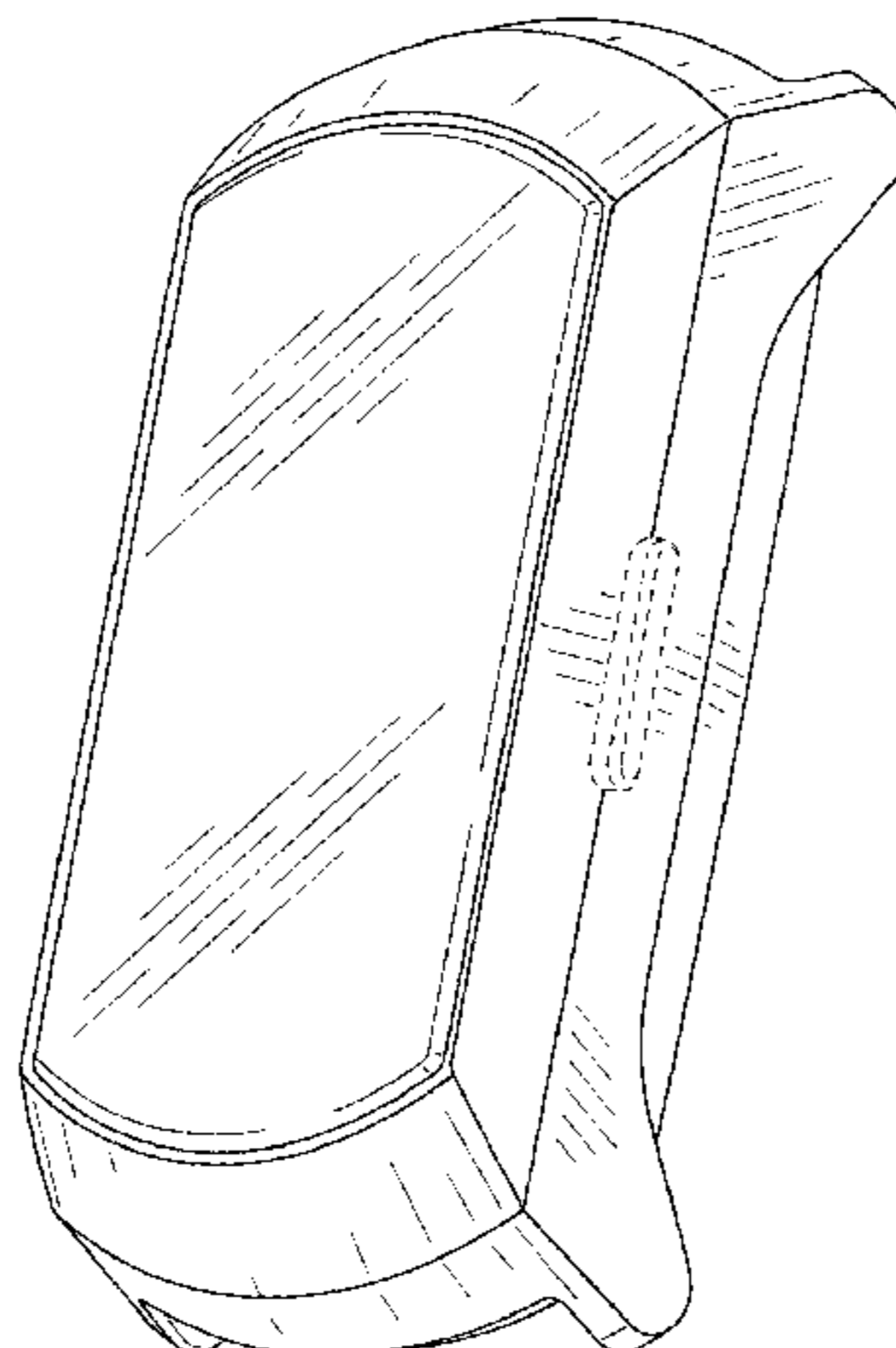
(57) **CLAIM**

The ornamental design for a wearable device, as shown and described.

DESCRIPTION

FIG. 1 is a front perspective view of a wearable device according to my new design;
FIG. 2 is rear perspective view thereof;
FIG. 3 is a top plan view thereof;
FIG. 4 is a bottom plan view thereof;
FIG. 5 is a right side elevation view thereof;
FIG. 6 is a left side elevation view thereof;
FIG. 7 is a rear elevation view thereof;
FIG. 8 is a front elevation view thereof;
FIG. 9 is a top plan view showing the wearable device in an example use thereof; and,
FIG. 10 is another front perspective view thereof showing only an enlarged main body of the wearable device and without the environmental device straps shown in broken lines in FIGS. 1-9.
The broken lines shown in the drawings are for the purpose of illustrating environmental structure and form no part of the claimed design.

1 Claim, 8 Drawing Sheets



(58) **Field of Classification Search**

CPC 1/00–1/26; G01P 15/00–15/18; G06F
19/3481; G06F 3/00–3/027; G06F 1/163;
A63C 11/02; G04R 20/02; G04C 10/00;
G04C 10/02; G08B 21/0269; G08B
21/0272; G08B 21/0286; G08B 21/0288;
G08B 21/0291; G08B 21/04–21/2454;
G01S 19/00–19/55; G04G 9/0064; G04G
9/0005

See application file for complete search history.

(56) **References Cited**

U.S. PATENT DOCUMENTS

D805,413 S * 12/2017 Chen D10/70
D848,875 S * 5/2019 Wildner D10/70

* cited by examiner

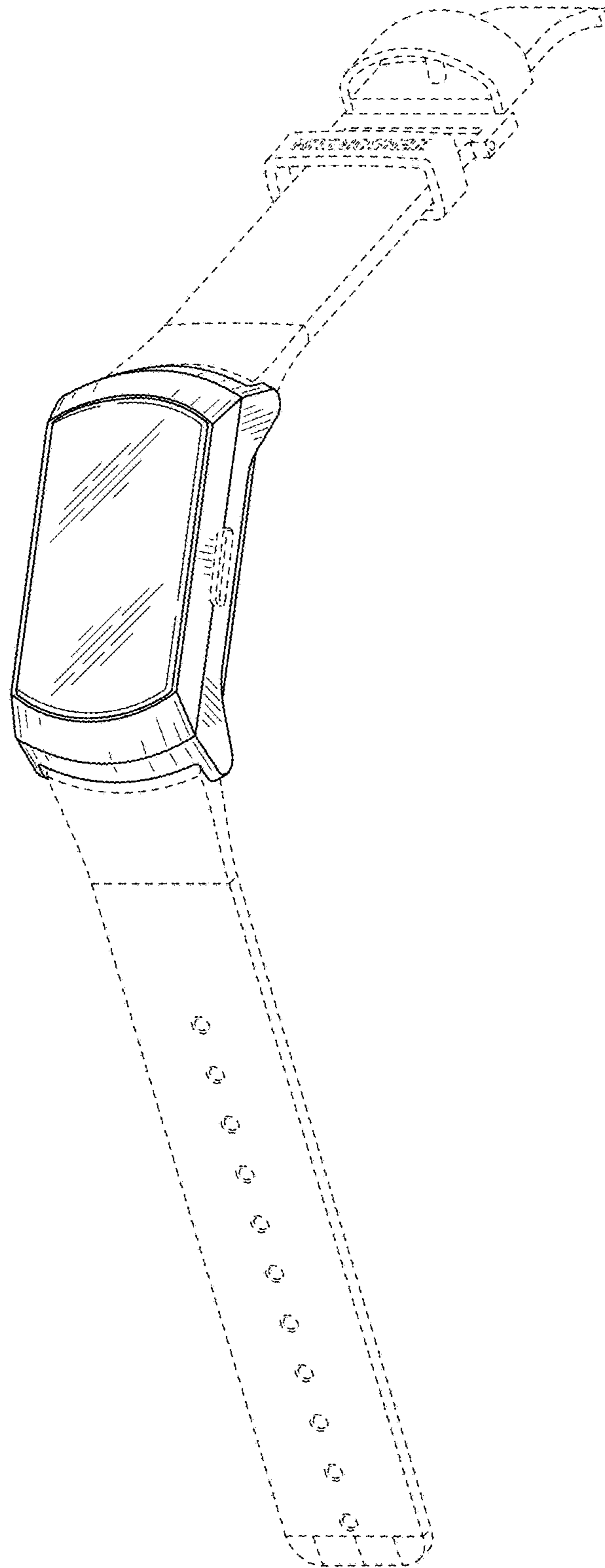


FIG. 1

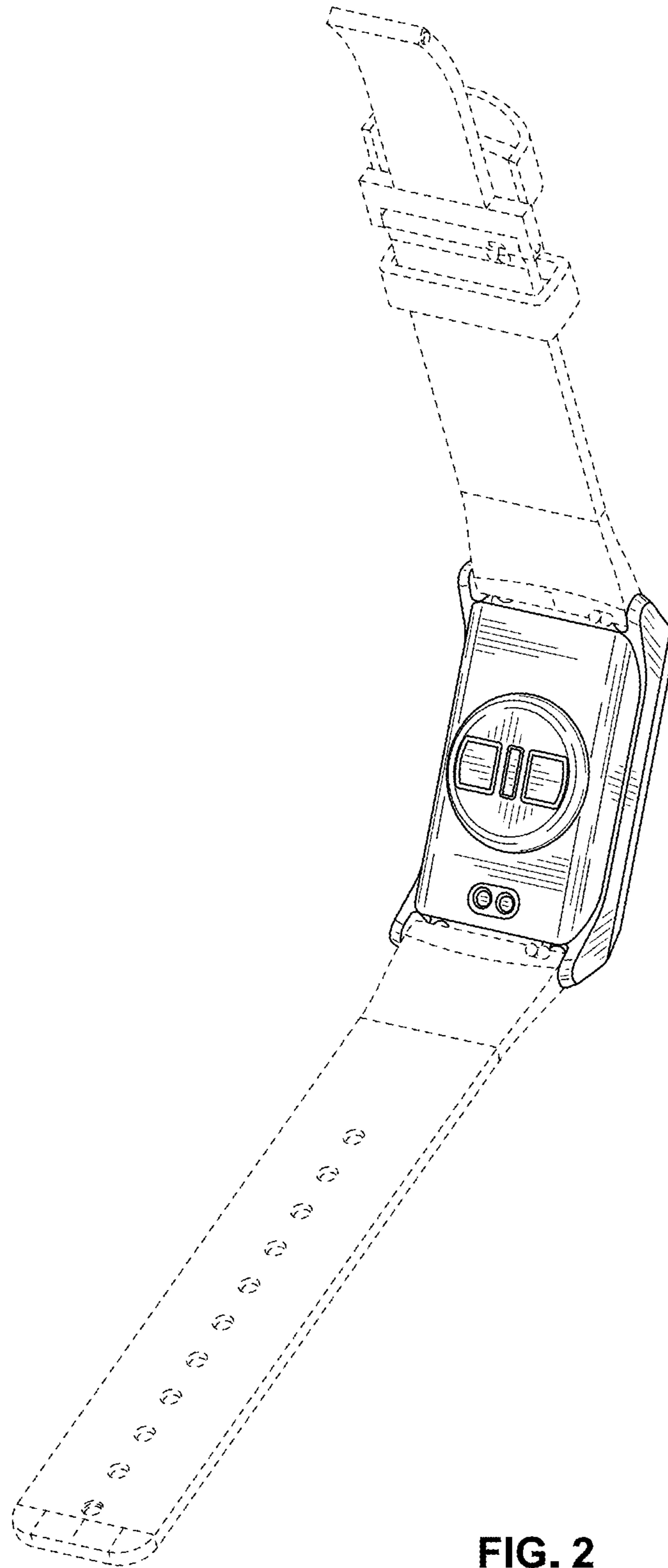


FIG. 2

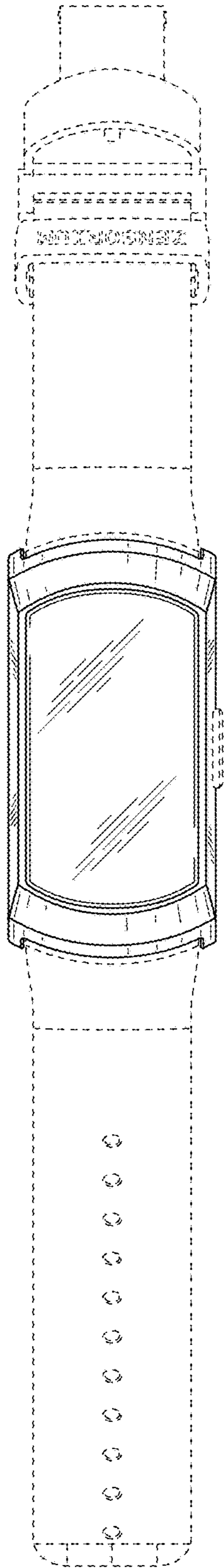


FIG. 3

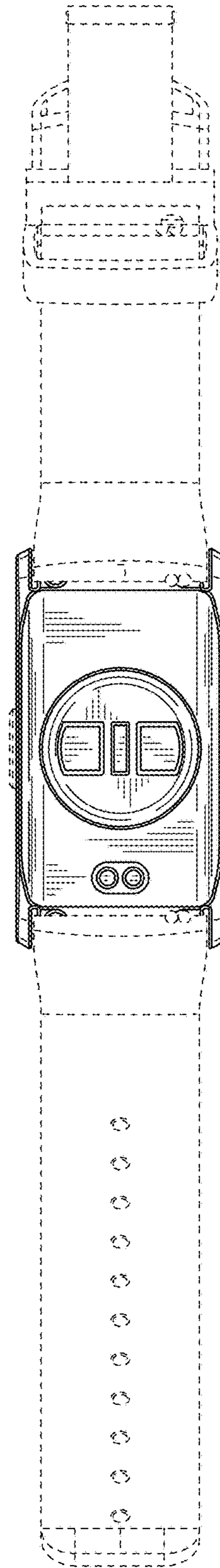


FIG. 4

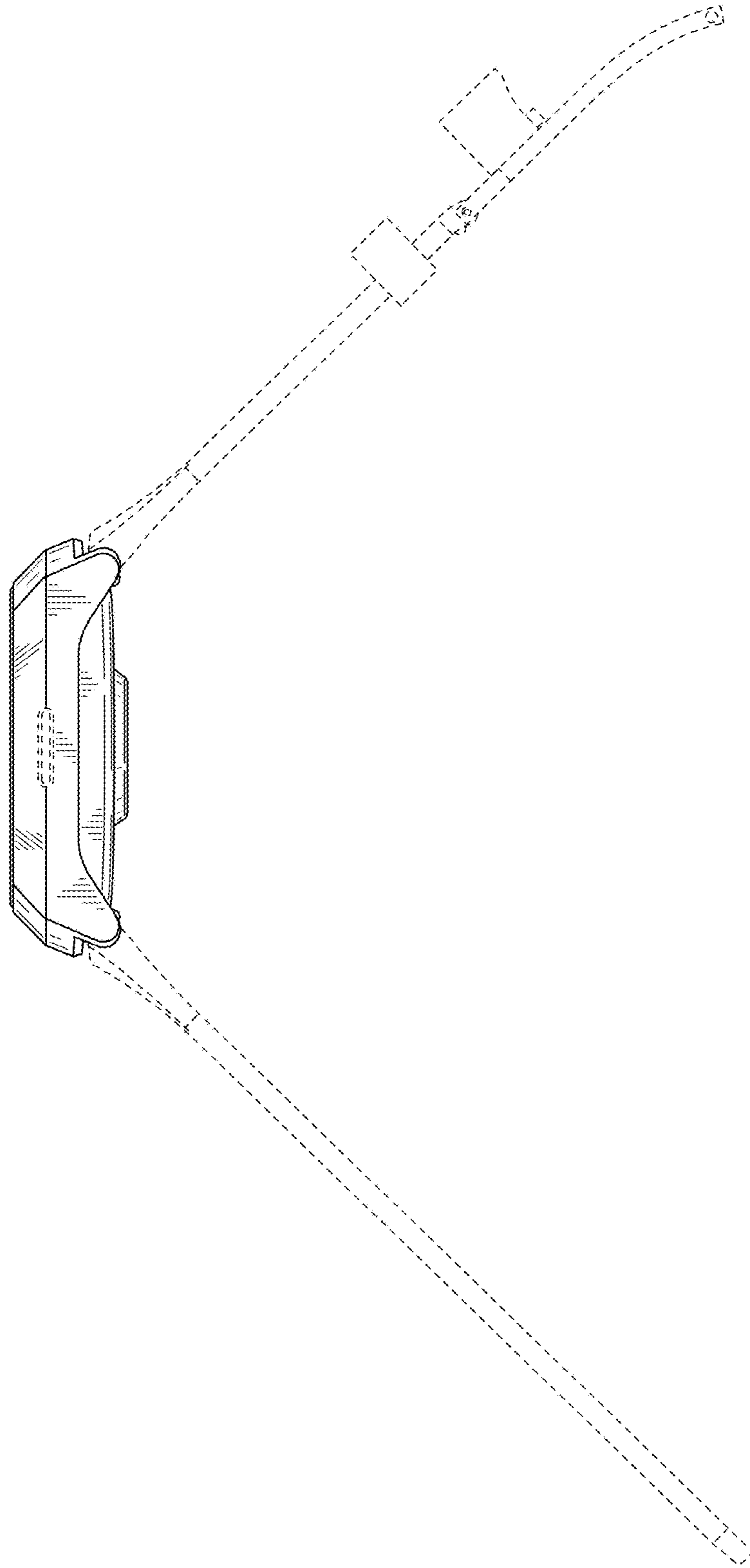


FIG. 5

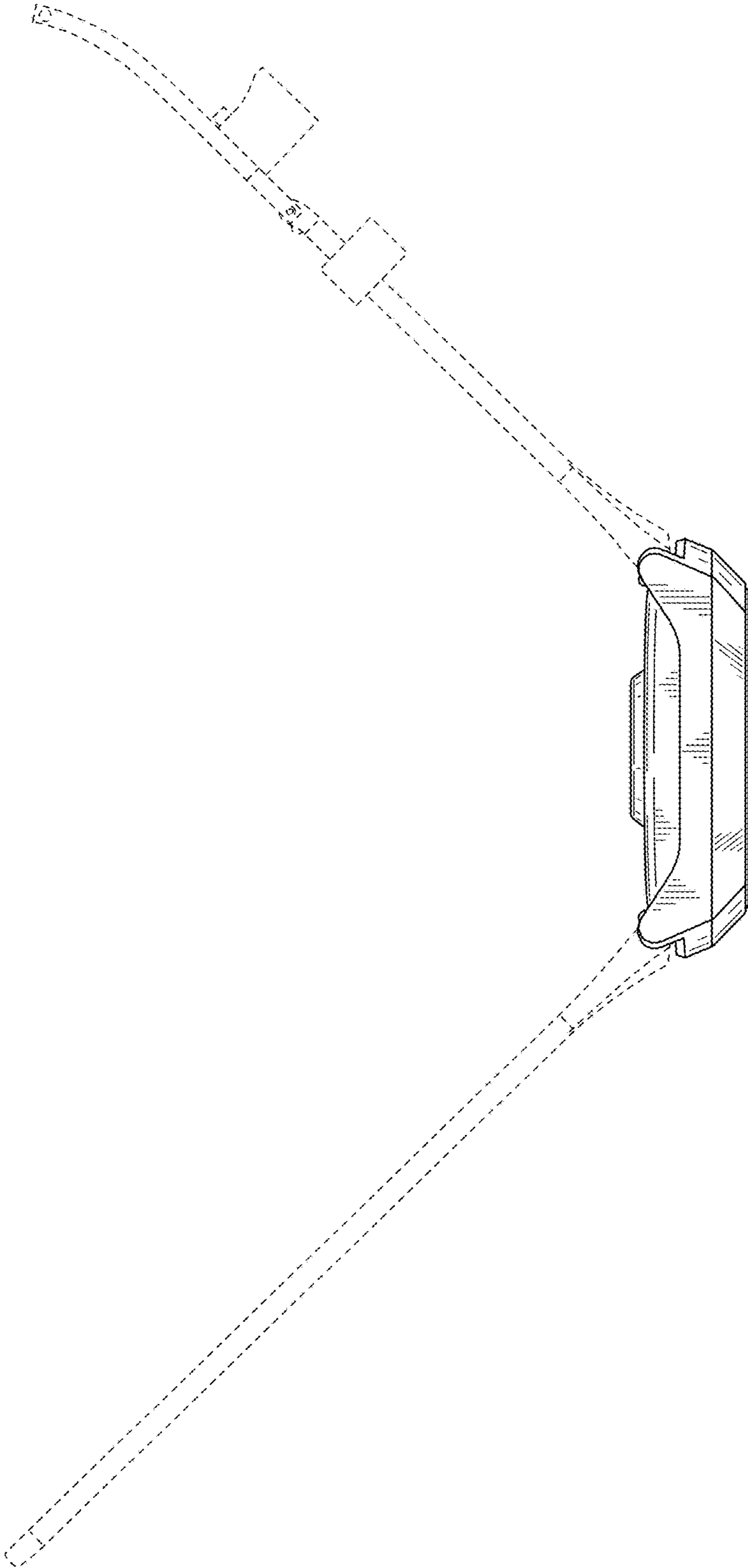


FIG. 6

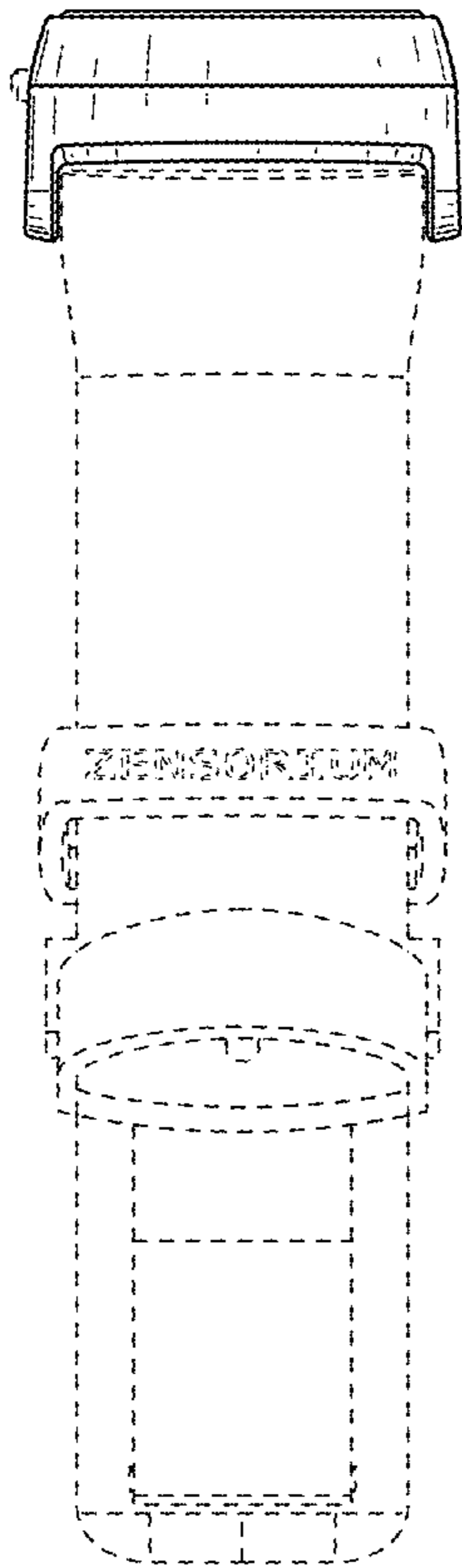


FIG. 7

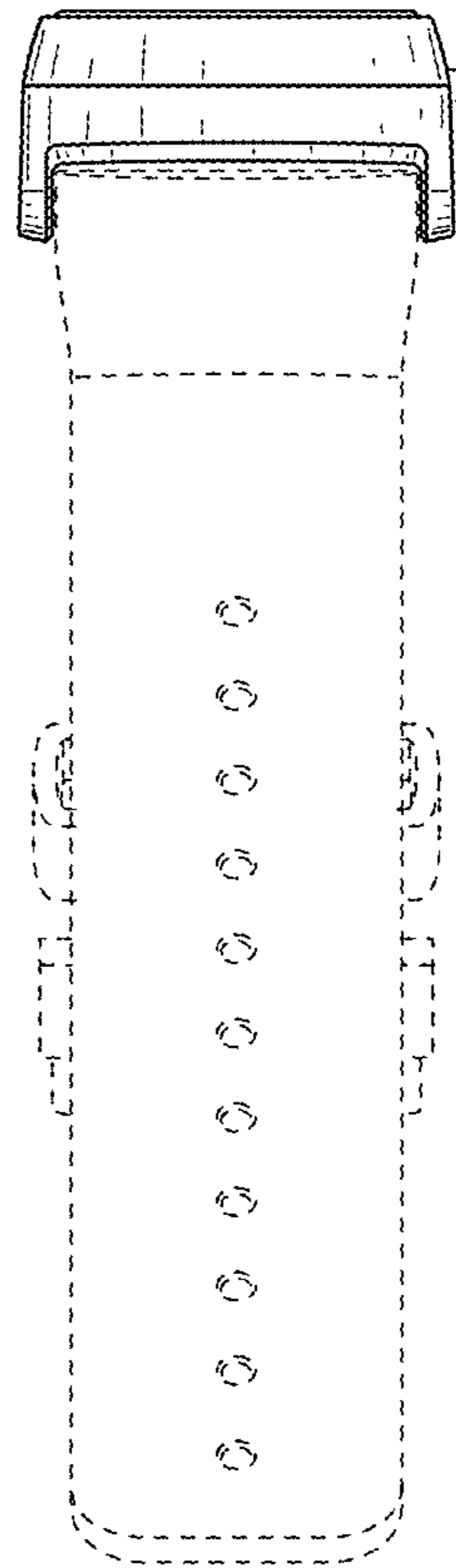


FIG. 8

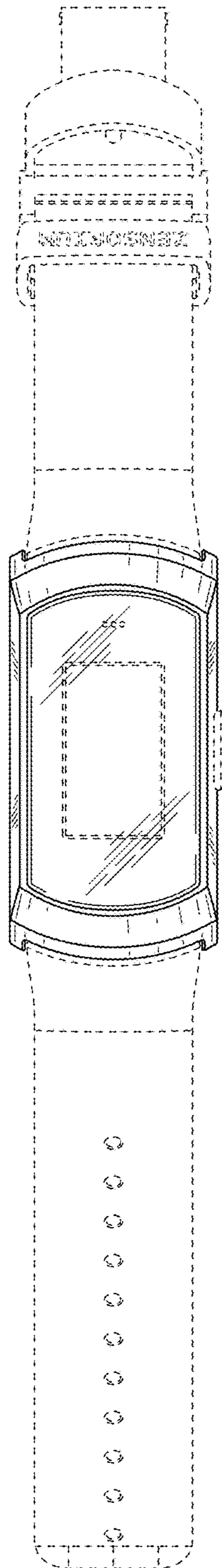


FIG. 9

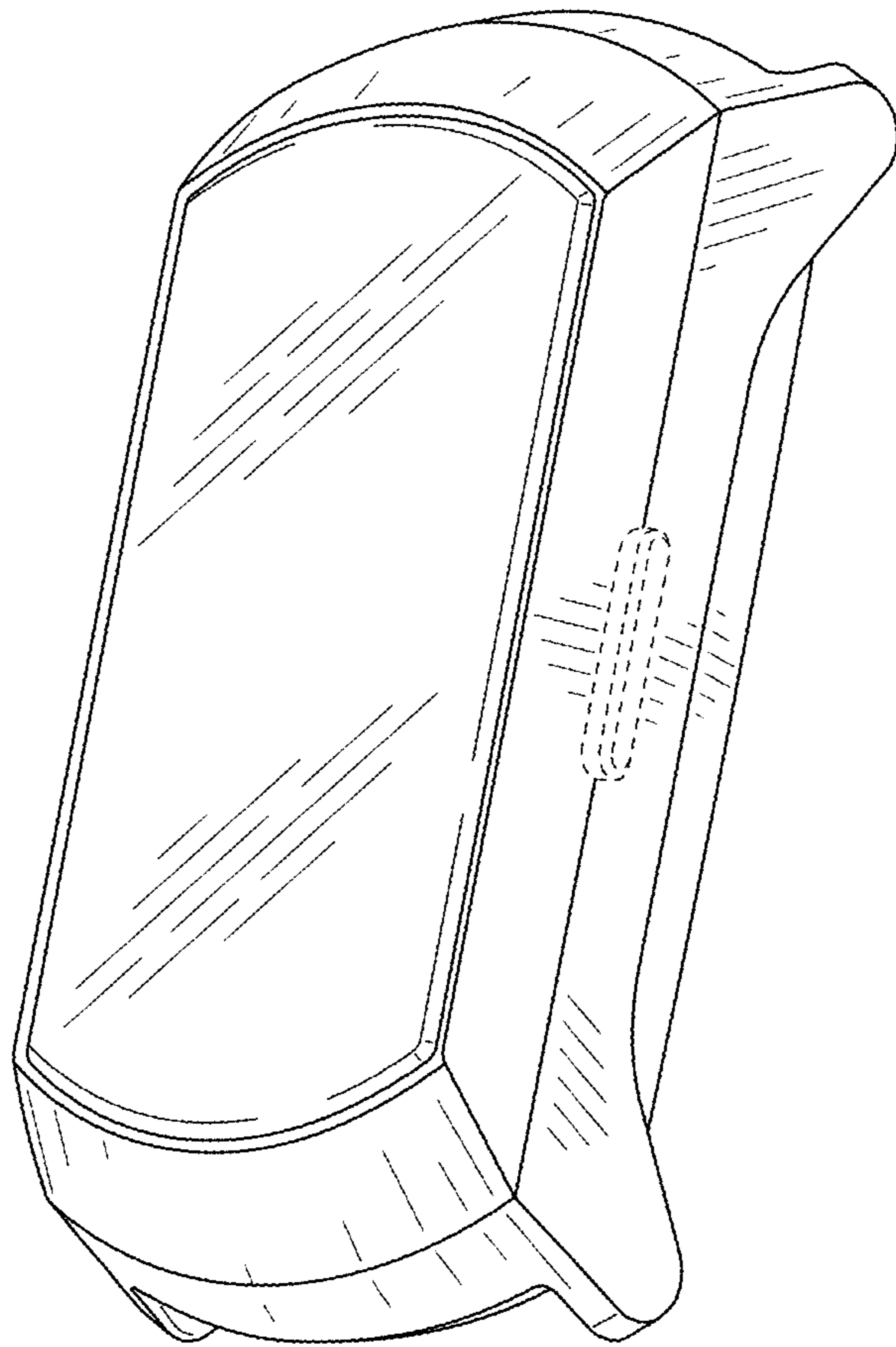


FIG. 10