



US00D865544S

(12) **United States Design Patent** (10) **Patent No.:** **US D865,544 S**
Yu (45) **Date of Patent:** **** Nov. 5, 2019**

(54) **DISTANCE MEASUREMENT INSTRUMENT**
(71) Applicant: **Shenzhen Longzhiyuan Technology Co., Ltd.**, Shenzhen (CN)
(72) Inventor: **Mengchu Yu**, Shenzhen (CN)
(73) Assignee: **SHENZHEN LONGZHUYUAN TECHNOLOGY CO., LTD.**, Shenzhen (CN)
(**) Term: **15 Years**

7,053,992 B2 * 5/2006 LaBelle G01C 3/08 356/5.01
D525,544 S * 7/2006 Nojima D10/70
D554,547 S * 11/2007 Lin D10/70
D570,234 S * 6/2008 Hui D10/70
D579,805 S * 11/2008 Chen D10/70
7,508,497 B2 * 3/2009 LaBelle G01C 3/08 356/5.01
D611,848 S * 3/2010 Liu D10/70
D647,159 S * 10/2011 Kobayashi D22/109
D823,147 S * 7/2018 Bainter D10/70
D842,723 S * 3/2019 Nyhart D10/70
D845,795 S * 4/2019 Kim D10/70

* cited by examiner

(21) Appl. No.: **29/657,110**
(22) Filed: **Jul. 19, 2018**
(30) **Foreign Application Priority Data**

Primary Examiner — Antoine Duval Davis
(74) *Attorney, Agent, or Firm* — Dragon Sun Law Firm, PC; Jinggao Li, Esq.

Feb. 6, 2018 (CN) 2018 3 0056253
(51) **LOC (12) Cl.** **10-04**
(52) **U.S. Cl.** **D10/70**
USPC
(58) **Field of Classification Search**
USPC D10/70
CPC ... G01C 3/00; G01C 3/02; G01C 3/04; G01C 3/06; G01C 3/08; G01C 3/085; G01C 3/10; G01C 3/12; G01C 3/16; G01C 3/14; G01C 3/18; G01C 3/20; G01C 3/22; G01C 3/24; G01C 3/26; G01C 3/28; G01C 3/30; G01C 3/32; G01C 15/006; G01S 7/4813; G02B 23/16; G02B 23/165

See application file for complete search history.

(56) **References Cited**

U.S. PATENT DOCUMENTS

D278,211 S * 4/1985 Koch D10/46
D448,315 S * 9/2001 Ito D10/70

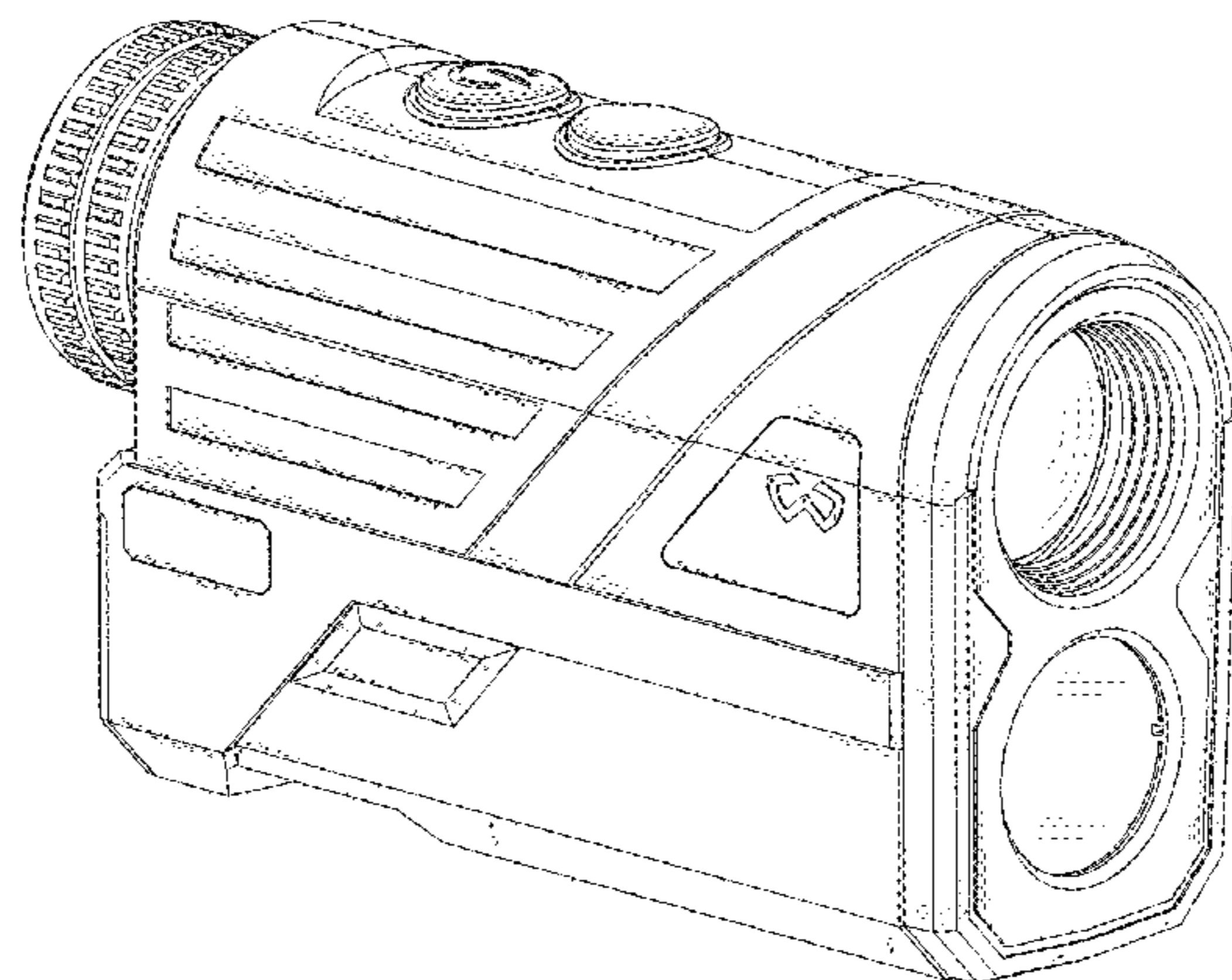
(57) **CLAIM**

The ornamental design for a distance measurement instrument, as shown and described.

DESCRIPTION

FIG. 1 is a front perspective view of a distance measurement instrument showing my new design; FIG. 2 is a rear perspective view thereof; FIG. 3 is a front elevational view thereof; FIG. 4 is a rear elevational view thereof; FIG. 5 is a right side elevational view thereof; FIG. 6 is a left side view thereof; FIG. 7 is a top pan view thereof; and, FIG. 8 is a bottom pan view thereof. The design known is not to be limited to any particular size and may be scaled larger or smaller.

1 Claim, 8 Drawing Sheets



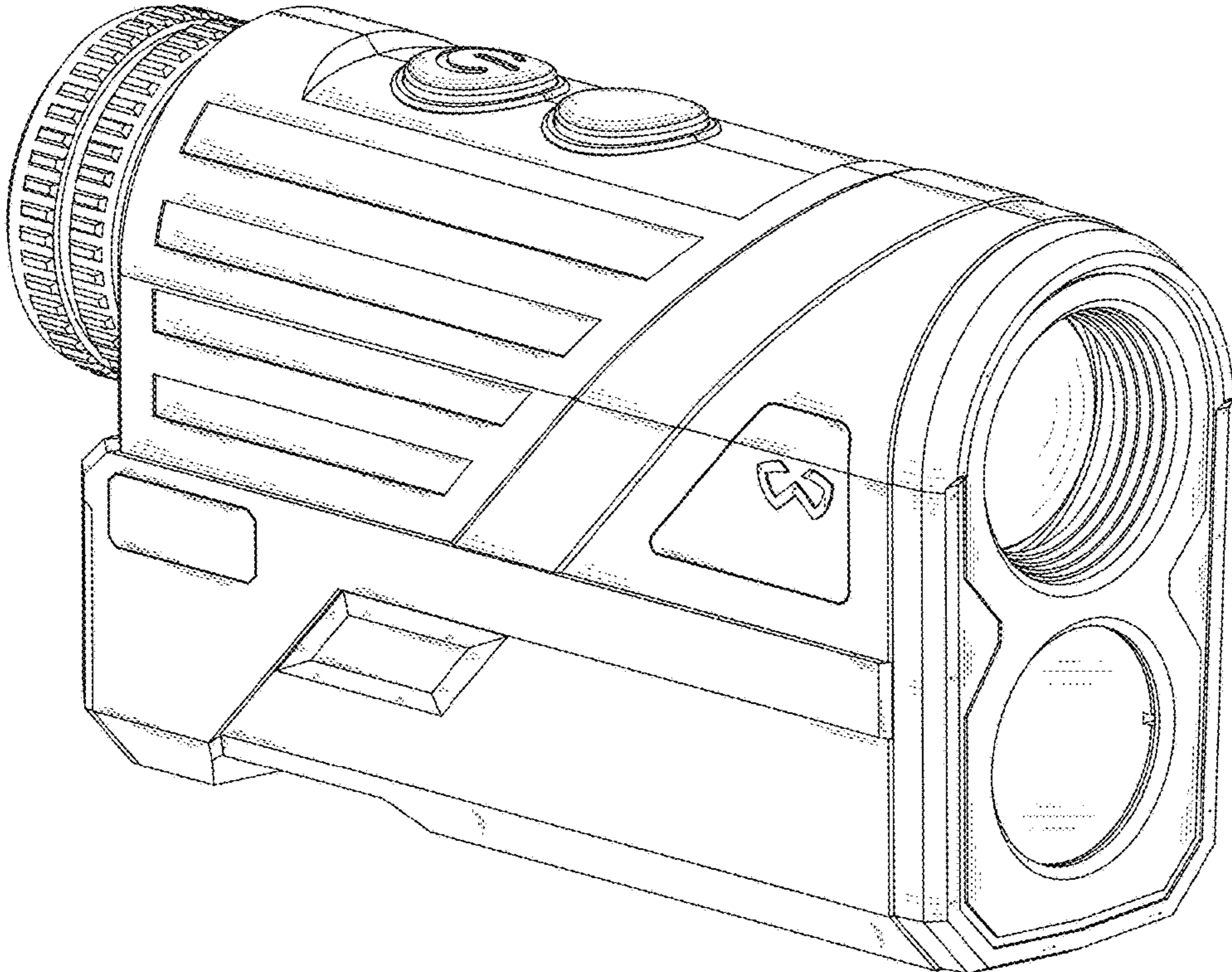


FIG. 1

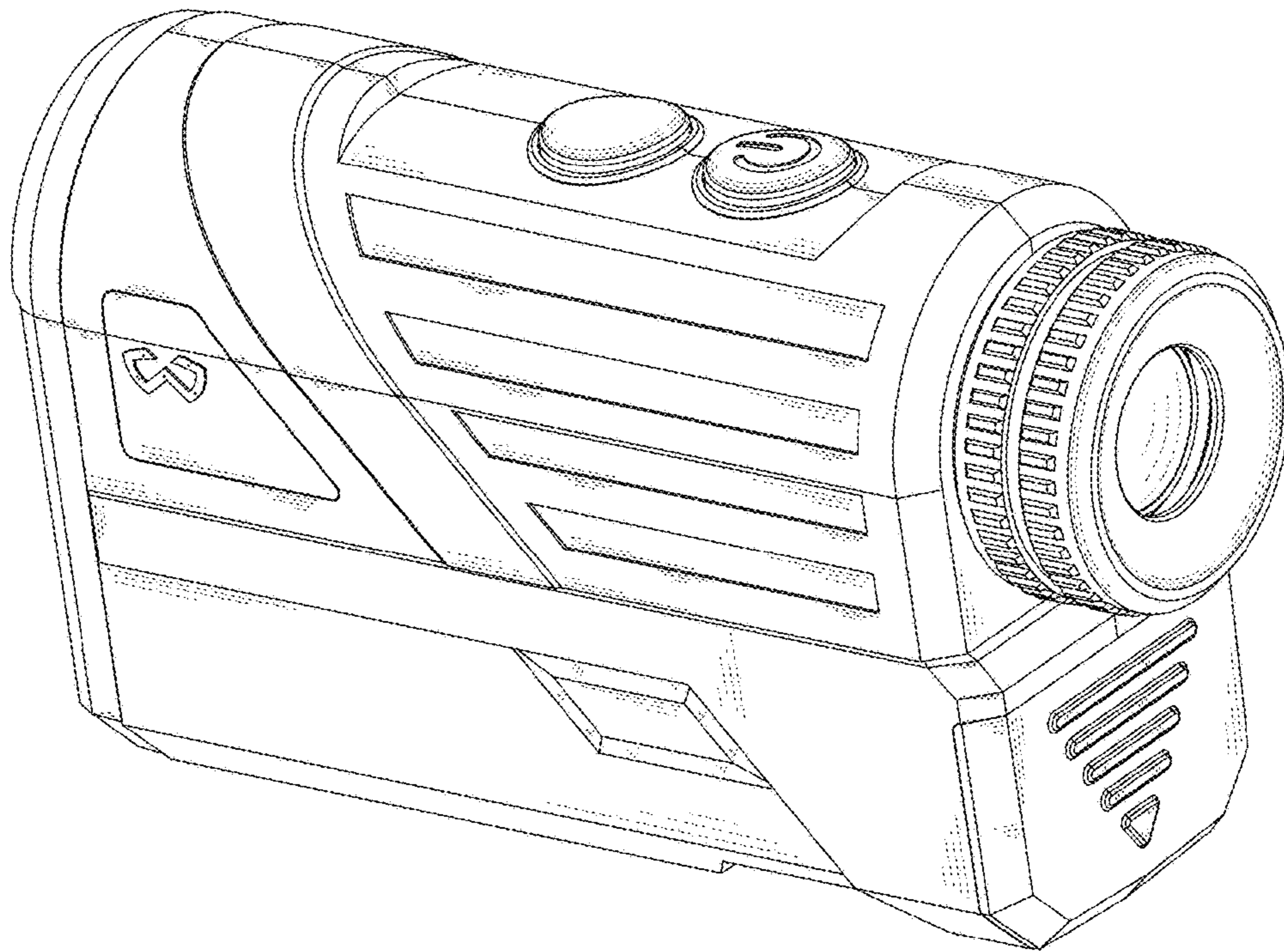


FIG. 2

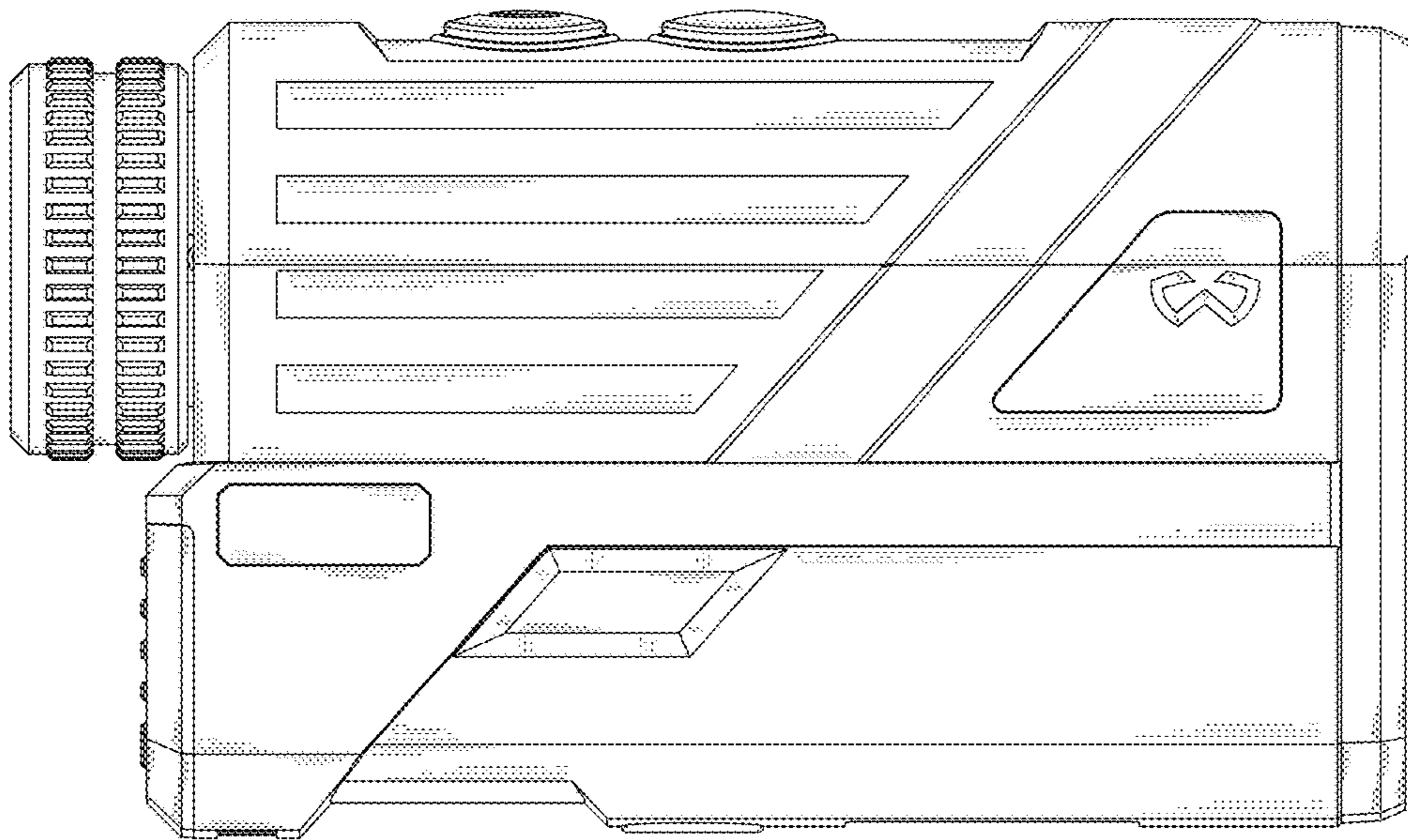


FIG. 3

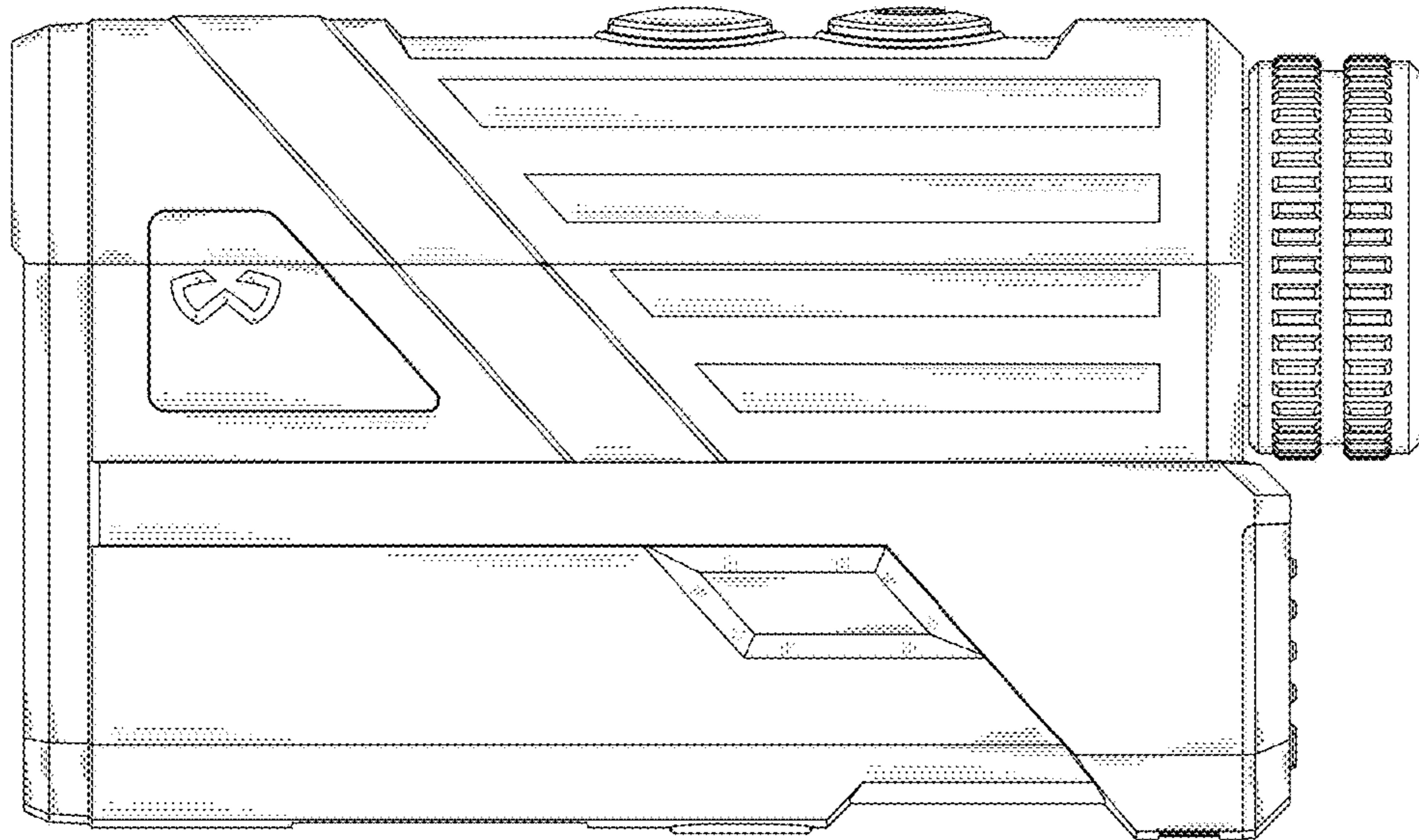


FIG. 4

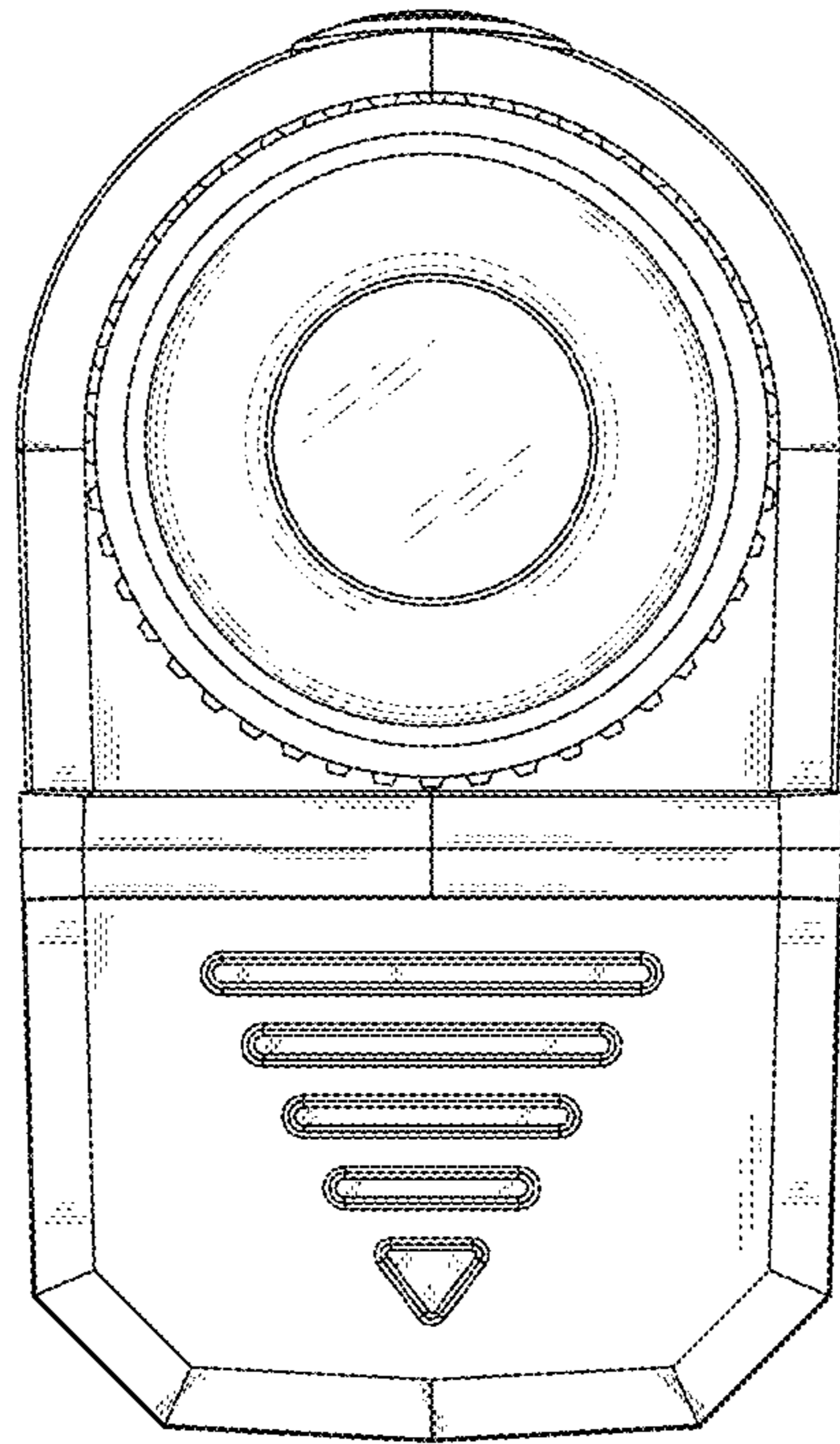


FIG. 5

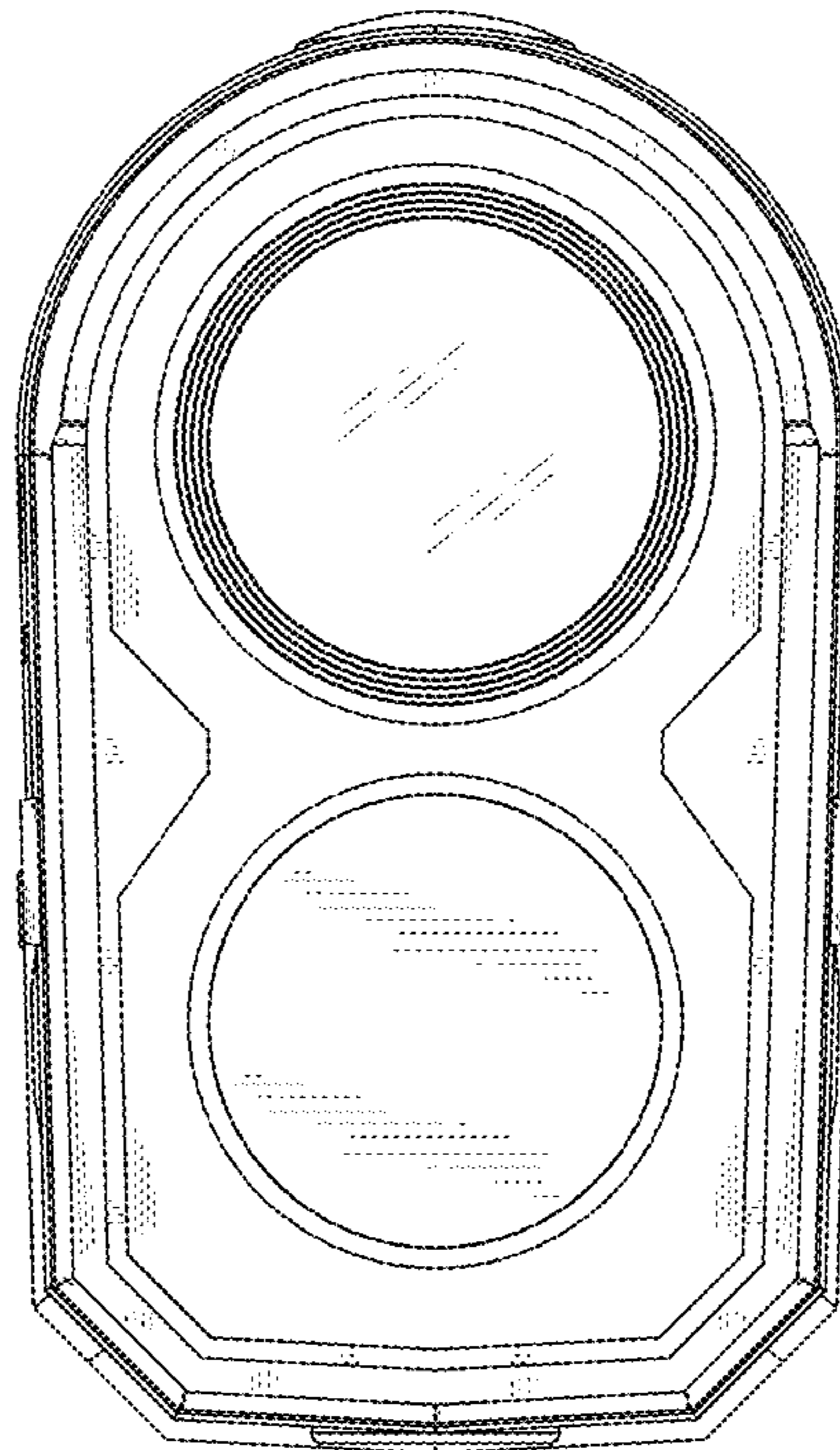


FIG. 6

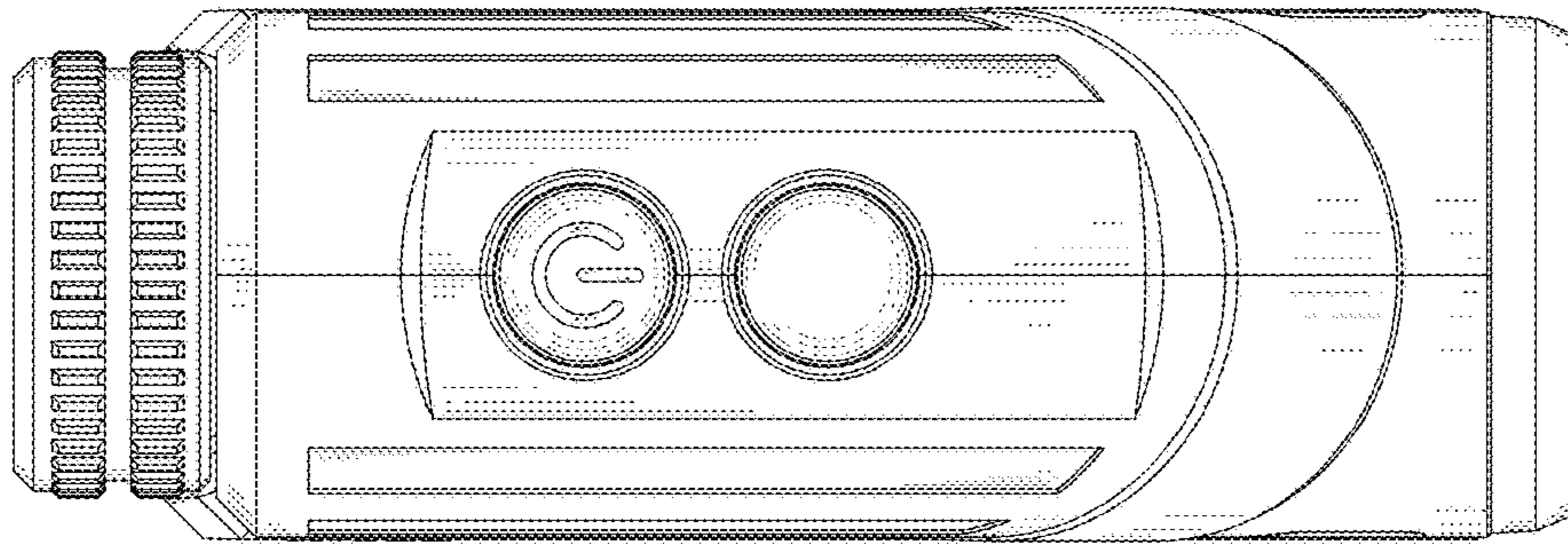


FIG. 7

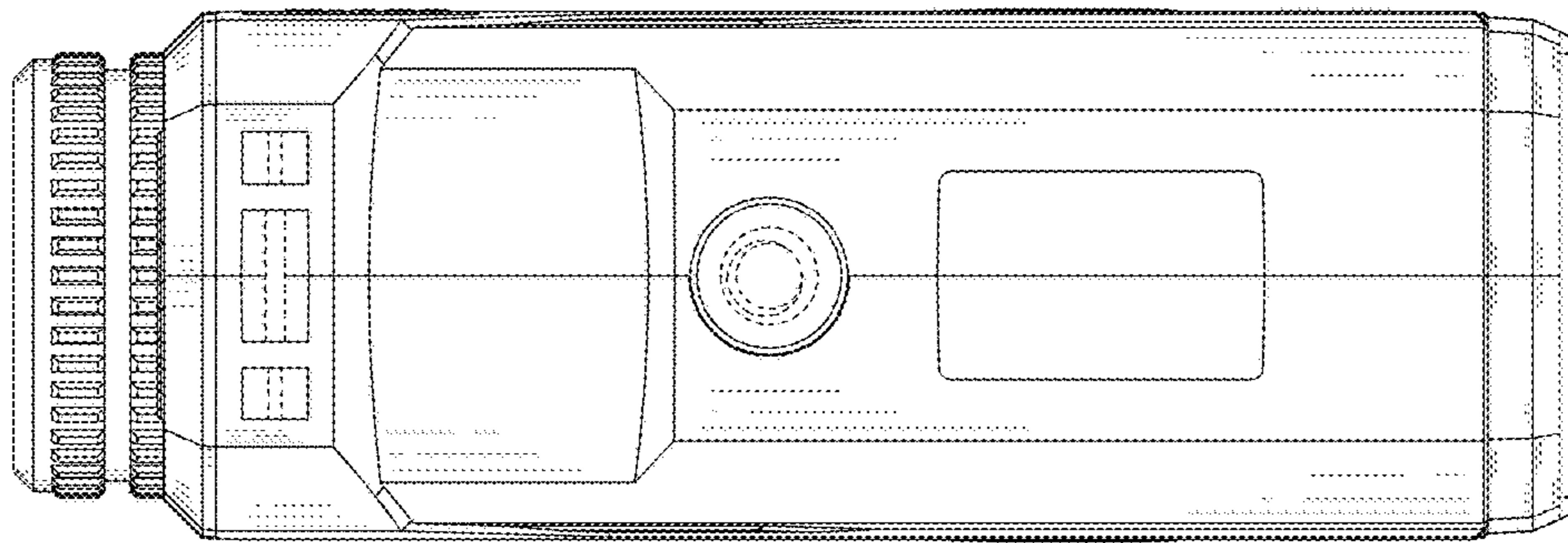


FIG. 8