



US00D865543S

(12) **United States Design Patent**  
**Lumme**

(10) **Patent No.:** **US D865,543 S**  
(45) **Date of Patent:** **\*\* Nov. 5, 2019**

(54) **WRISTWATCH WITH MONITOR FUNCTION FOR BODY STATE**

(71) Applicant: **Polar Electro Oy**, Kempele (FI)

(72) Inventor: **Lauri Lumme**, Oulu (FI)

(73) Assignee: **Polar Electro Oy**, Kempele (FI)

(\*\*) Term: **15 Years**

(21) Appl. No.: **29/651,481**

(22) Filed: **Aug. 16, 2018**

(30) **Foreign Application Priority Data**

Feb. 16, 2018 (EM) ..... 004710739-0001

(51) **LOC (12) Cl.** ..... **10-04**

(52) **U.S. Cl.**  
USPC ..... **D10/70**; D10/30; D10/39; D10/97;  
D10/98; D14/344; D24/186

(58) **Field of Classification Search**

USPC ..... D10/30–39, 65, 70, 78, 97, 98; D11/3;  
D14/138 R, 203.5, 203.6, 341, 344;  
D24/167, 186

CPC ..... A63B 24/0062; A63B 71/0686; A63B  
33/002; A63B 71/0622; A63B 2207/02;  
A63B 2244/20; A63B 2071/0625; A63B  
2033/004; A63B 2208/03; A63B 2220/30;  
A63B 2220/836; A63B 2225/50; A63B  
2230/065; A63B 2213/00; A63B 69/0028;  
A63B 2220/00–2220/89; A63B  
24/00–2024/0096; A63B  
2071/0658–2071/0666; A63B 2225/02;  
A61B 5/0205; A61B 5/6803; A61B  
5/0015; A61B 5/02416; A61B 5/1118;  
A61B 5/02438; A61B 2560/0214; A61B  
2503/10; A61B 5/0537; A61B 5/4872;  
A61B 5/6831; A61B 5/4869; A61B  
5/0858; A61B 5/1075; A61B 5/107; A61B  
5/4875; A61B 5/4878; A61B 5/4881;  
A61B 5/61–5/6898; A44C 5/00–5/16;

G04B 37/00–37/228; G04B 45/0069;  
G04B 47/04; G04B 19/00–19/34; G04B  
21/12; G04B 23/12; G04B 47/00–47/068;  
G04B 47/065; G04B 47/066; G01C  
17/00; G01C 21/00–21/3697; G01C  
22/00–22/025; G01C 23/00–23/005;  
G01C 21/16; G06F 19/3481; G06F  
3/00–3/027; G06F 1/163; G01P  
1/00–1/26; G01P 15/00–15/18; A63C  
11/02; G04R 20/02; G04C 10/00; G04C  
10/02; G08B 21/0269; G08B 21/0272;  
G08B 21/0286; G08B 21/0288; G08B  
21/0291; G08B 21/04–21/2454;

(Continued)

(56) **References Cited**

U.S. PATENT DOCUMENTS

D754,548 S \* 4/2016 Block ..... D10/32  
D768,623 S \* 10/2016 Zou ..... D10/39  
D773,319 S \* 12/2016 Basargin ..... D10/38

(Continued)

*Primary Examiner* — Antoine Duval Davis

(74) *Attorney, Agent, or Firm* — FisherBroyles, LLP

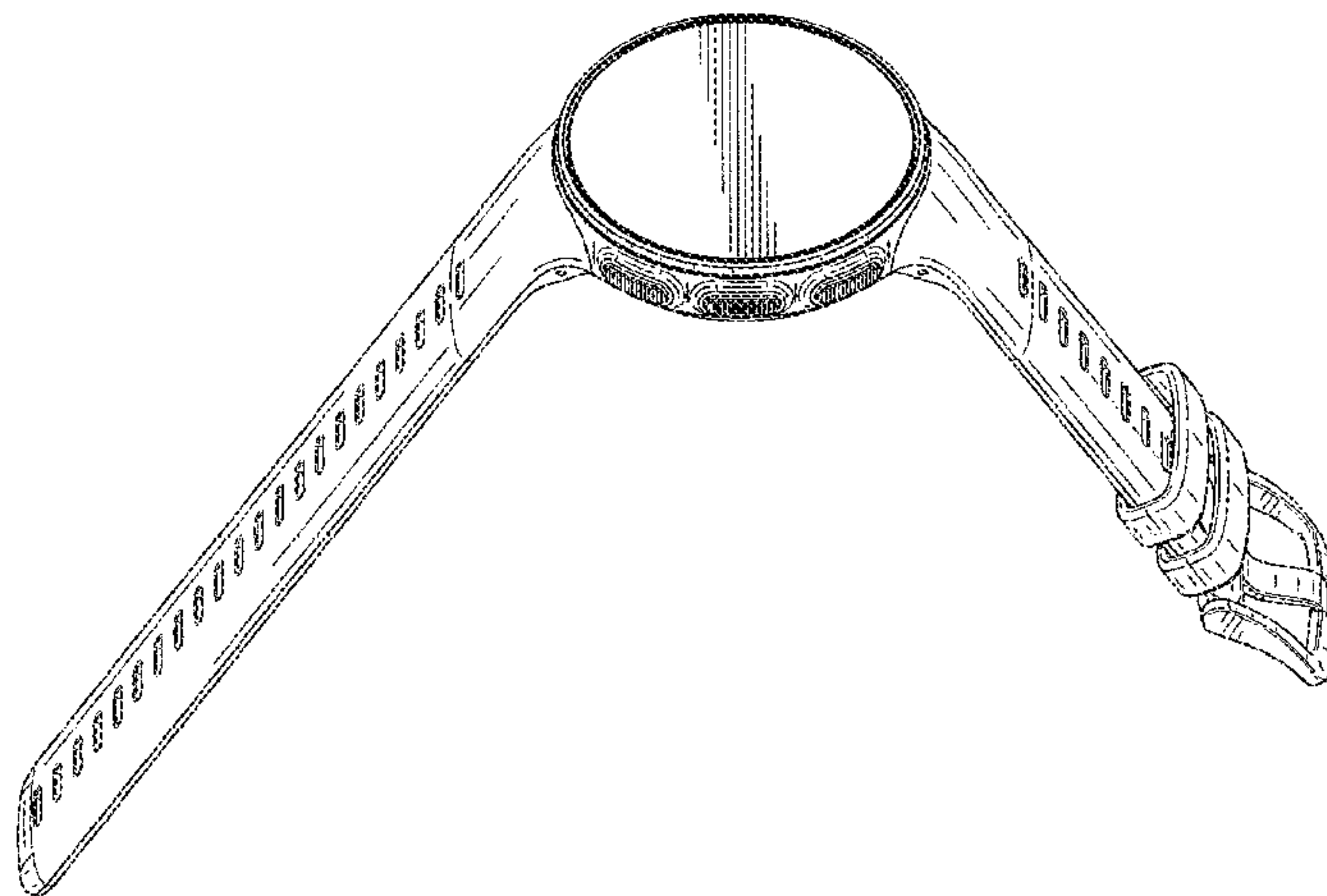
(57) **CLAIM**

The ornamental design for a wristwatch with monitor function for body state, as shown and described.

**DESCRIPTION**

FIG. 1 is a first top perspective view of the wristwatch;  
FIG. 2 is a first side view of the wristwatch;  
FIG. 3 is a first end view of the wristwatch;  
FIG. 4 is a second top perspective view of the wristwatch;  
FIG. 5 is a second side view of the wristwatch;  
FIG. 6 is a bottom view of the wristwatch;  
FIG. 7 is a second end view of the wristwatch; and,  
FIG. 8 is a top view of the wristwatch.

**1 Claim, 8 Drawing Sheets**



(58) **Field of Classification Search**

CPC ..... G01S 19/00–19/55; G04G 9/0064; G04G  
9/0005

See application file for complete search history.

(56) **References Cited**

U.S. PATENT DOCUMENTS

D793,875 S *	8/2017	Mistry .....	D10/30
D812,051 S *	3/2018	Park .....	D14/344
2016/0379604 A1 *	12/2016	Komulainen .....	G04G 17/045 345/658

\* cited by examiner

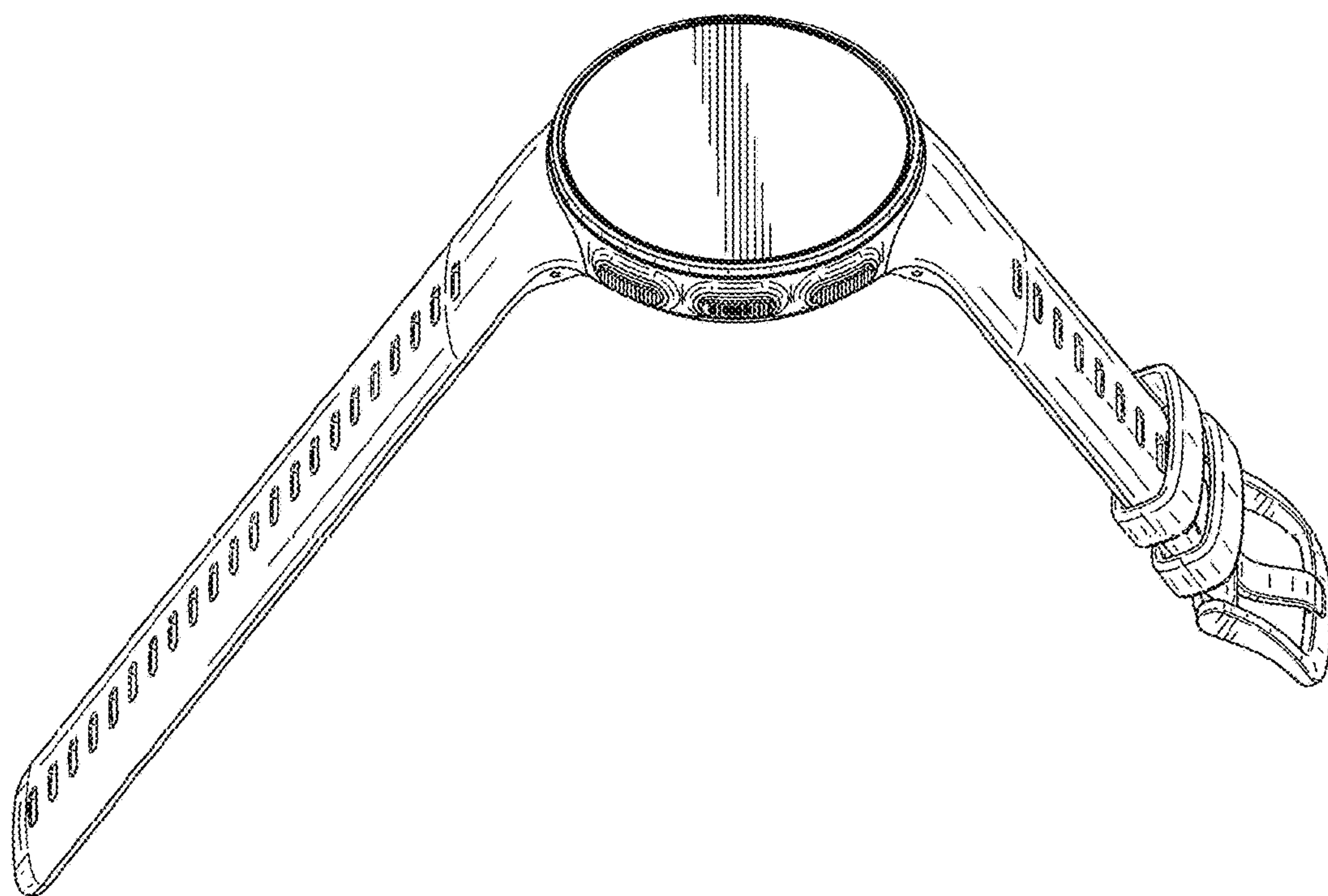


FIG. 1

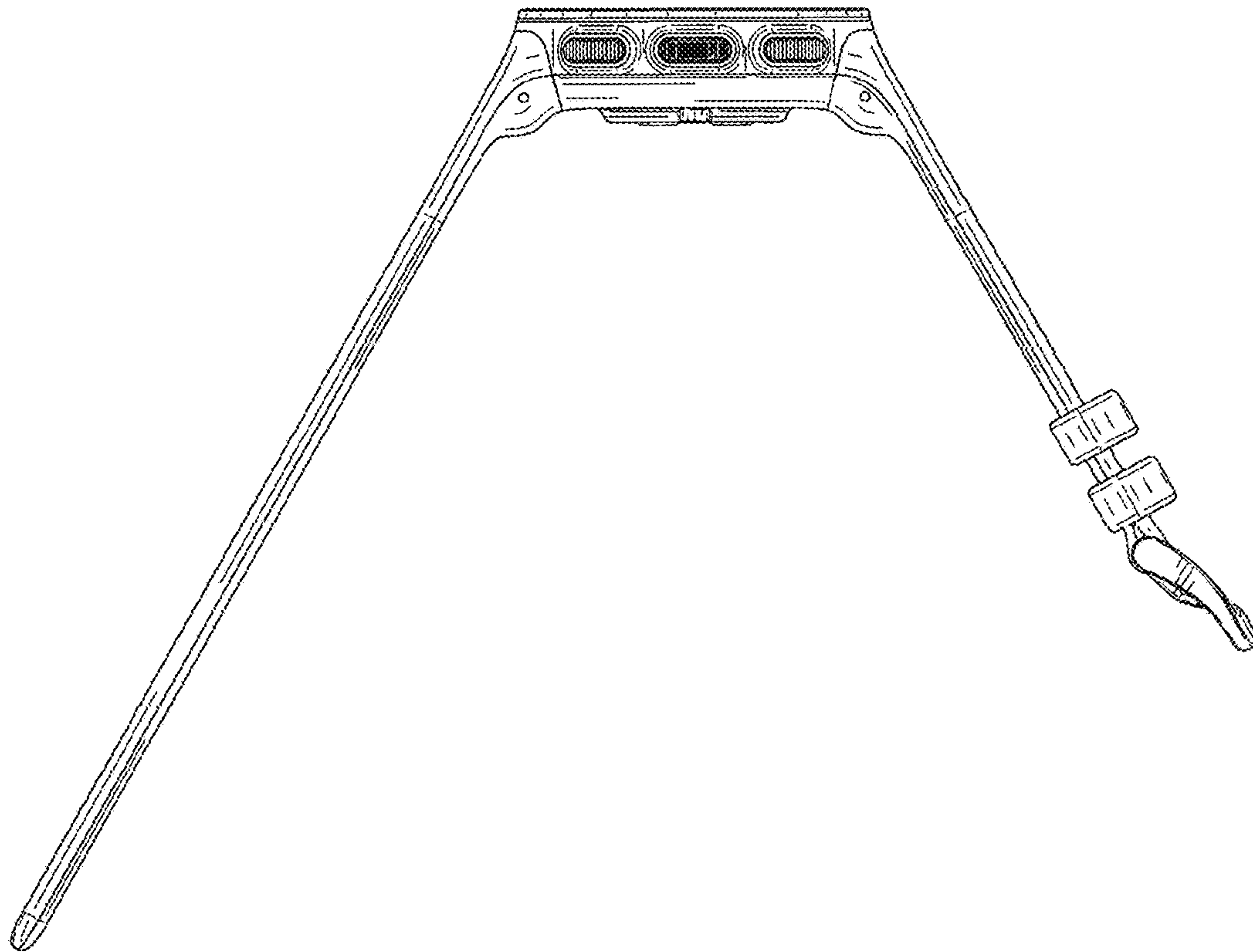


FIG. 2

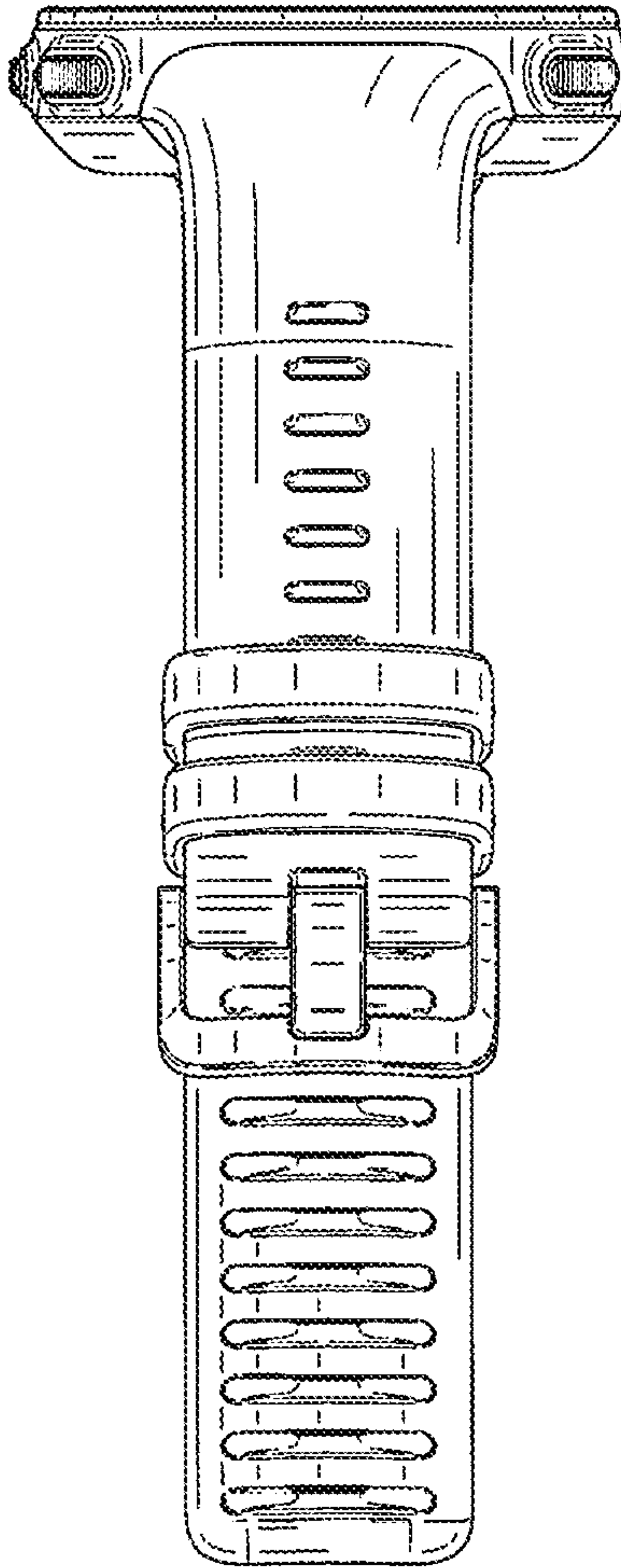


FIG. 3



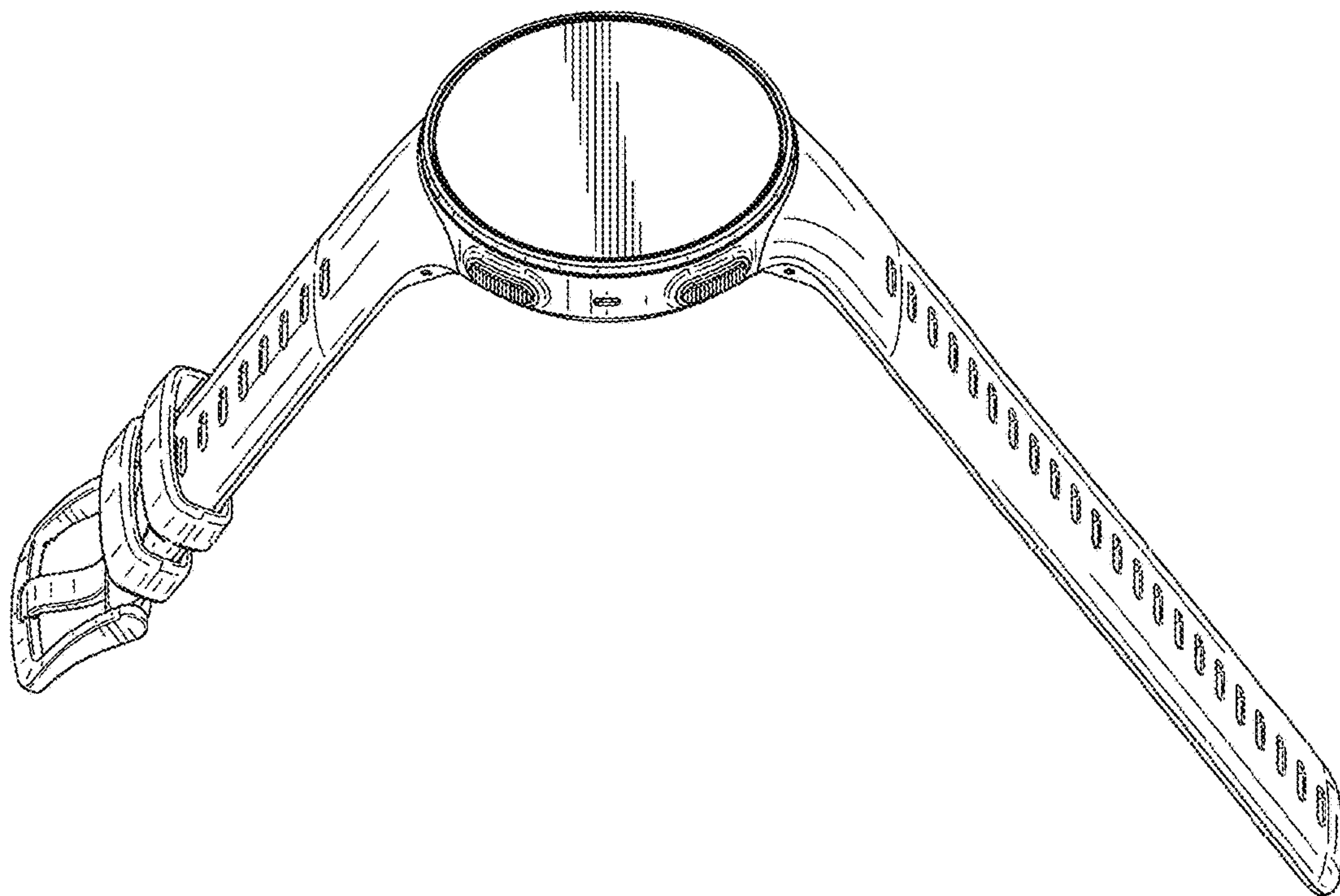


FIG. 4

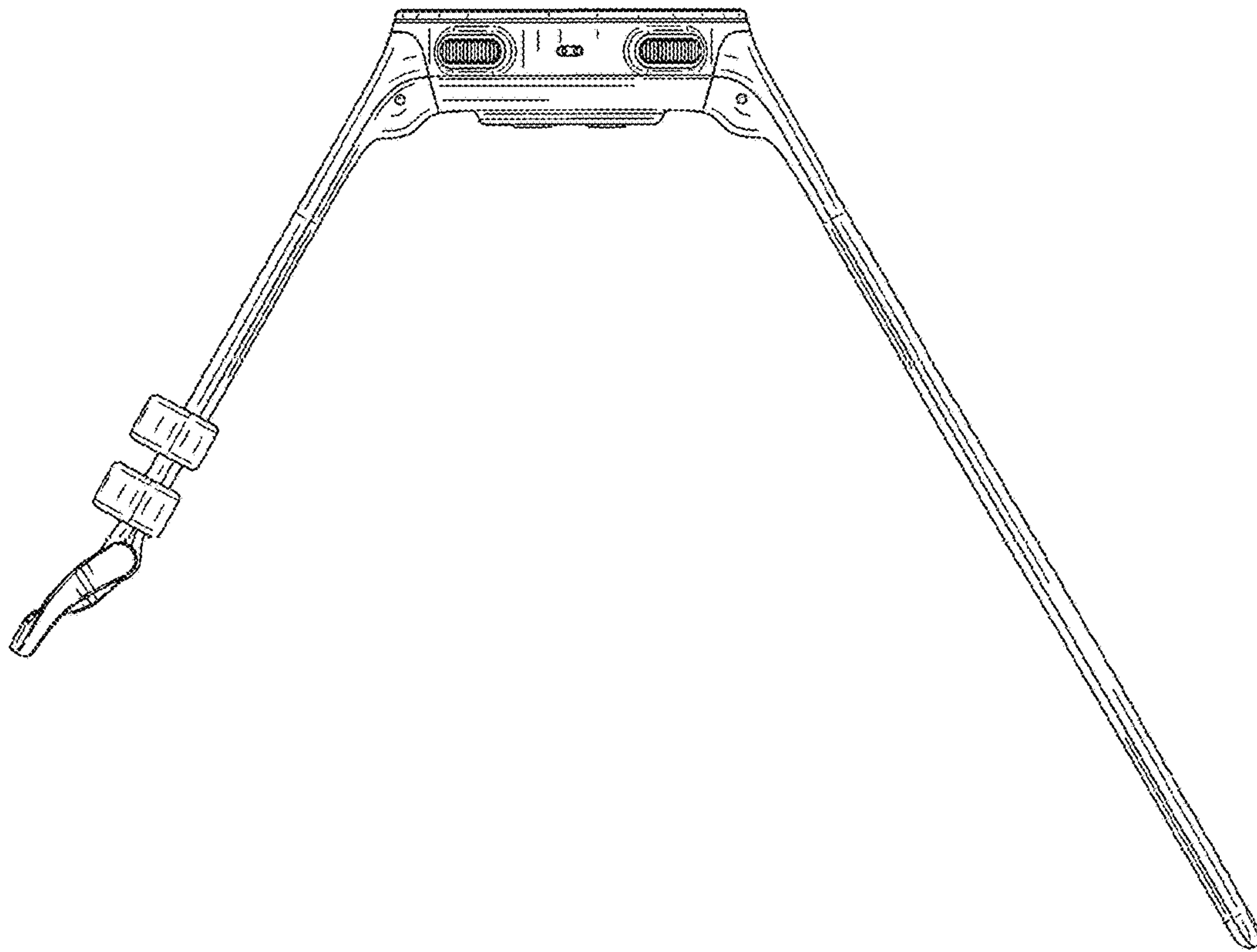


FIG. 5

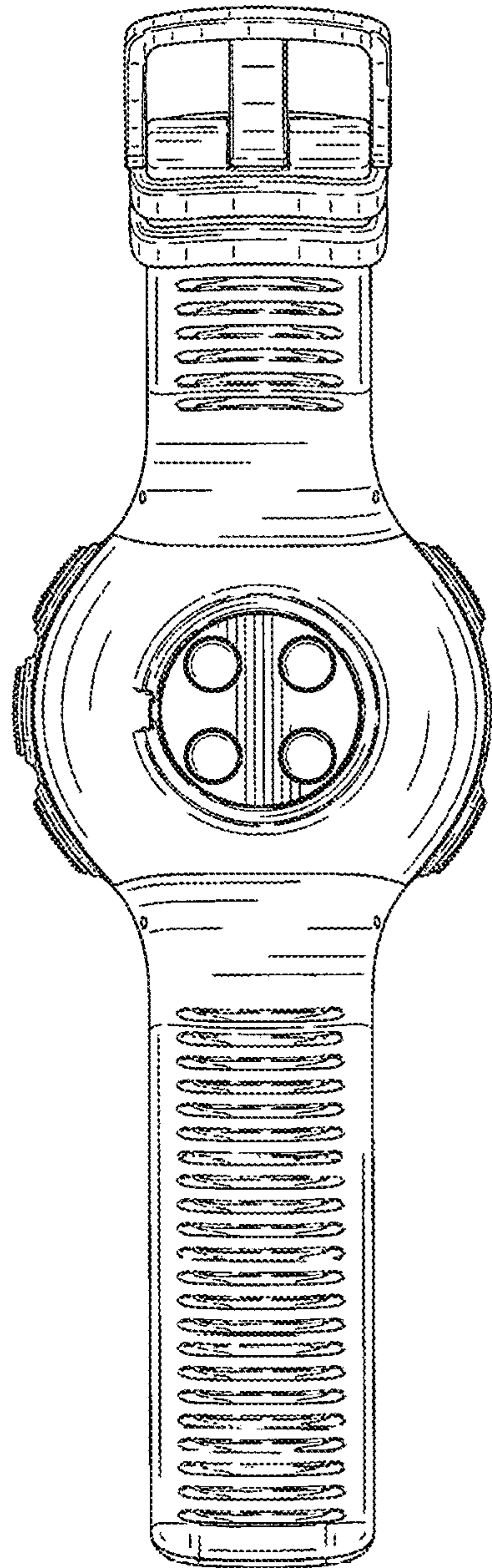


FIG. 6



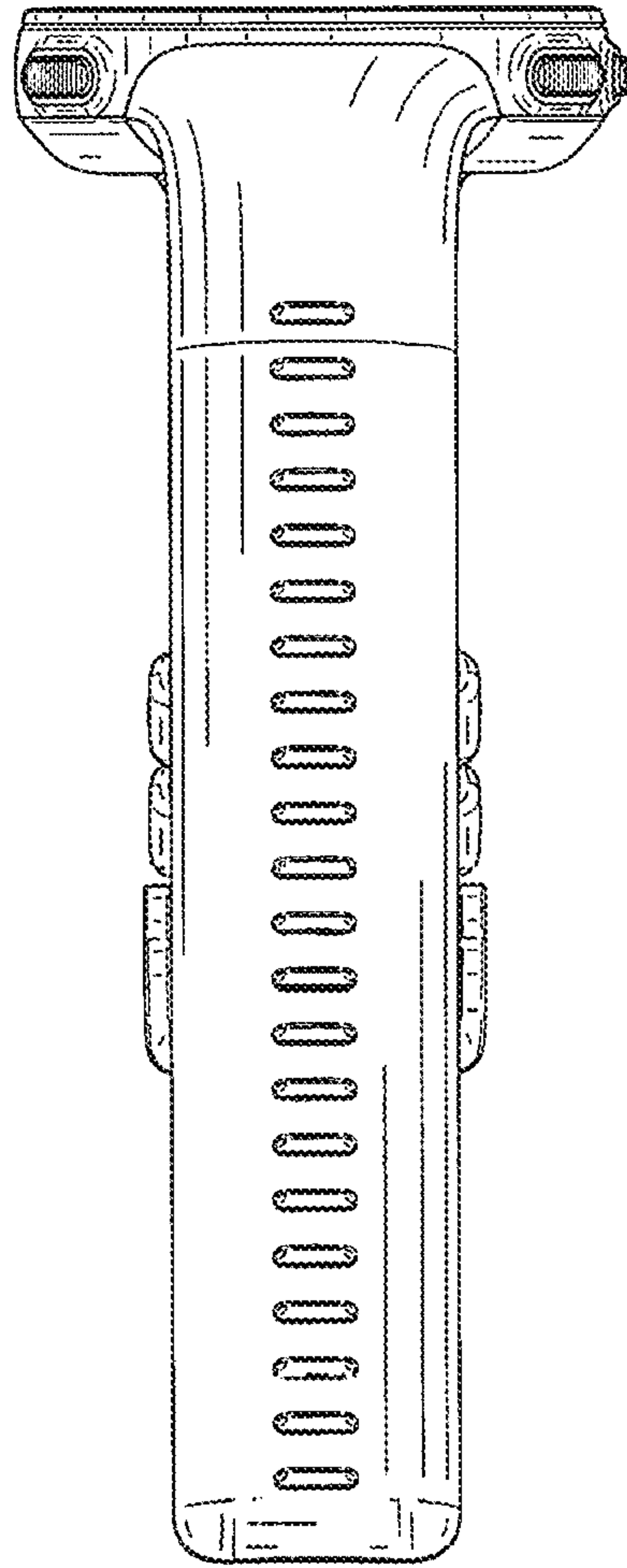


FIG. 7

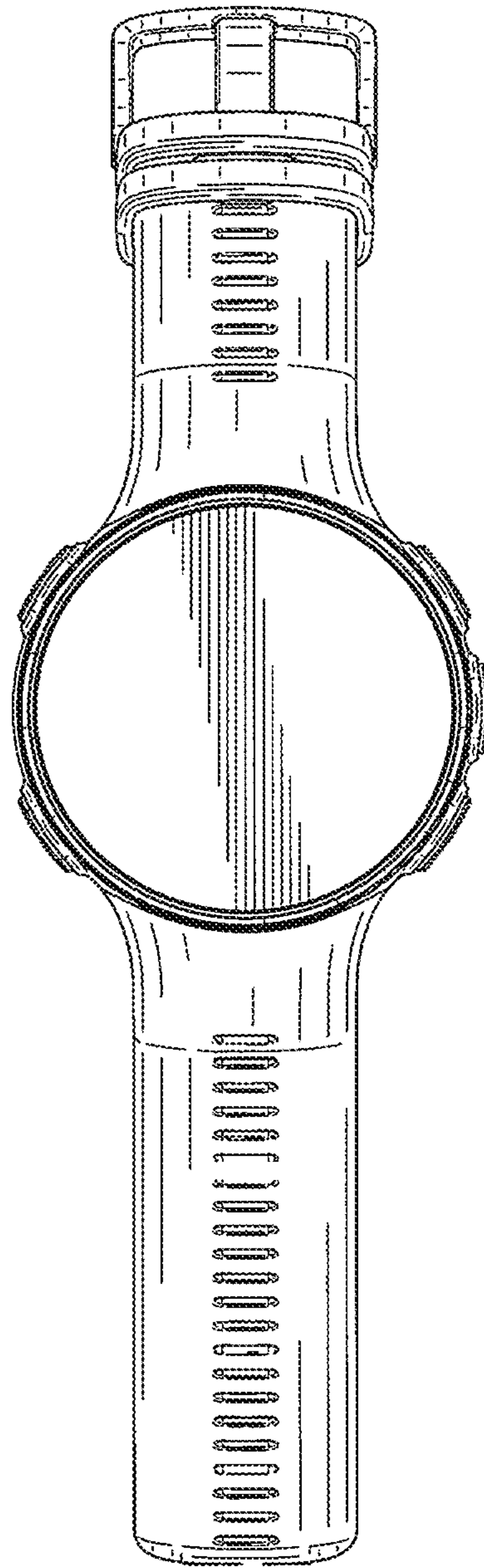


FIG. 8